

SBX118

18" Powered Subwoofer

- ▶ Powerful neodymium transducers with tremendous motor strength reduce system weight and increase output response at all output levels.
- ▶ 4-in Voice Coil Driver
- ▶ Cable Chases for Concealed Wiring and Rigging.
- ▶ Multiple tie down points for secure stacking.
- ▶ Ultra-simple cardioid setup using rear panel display and data encoder



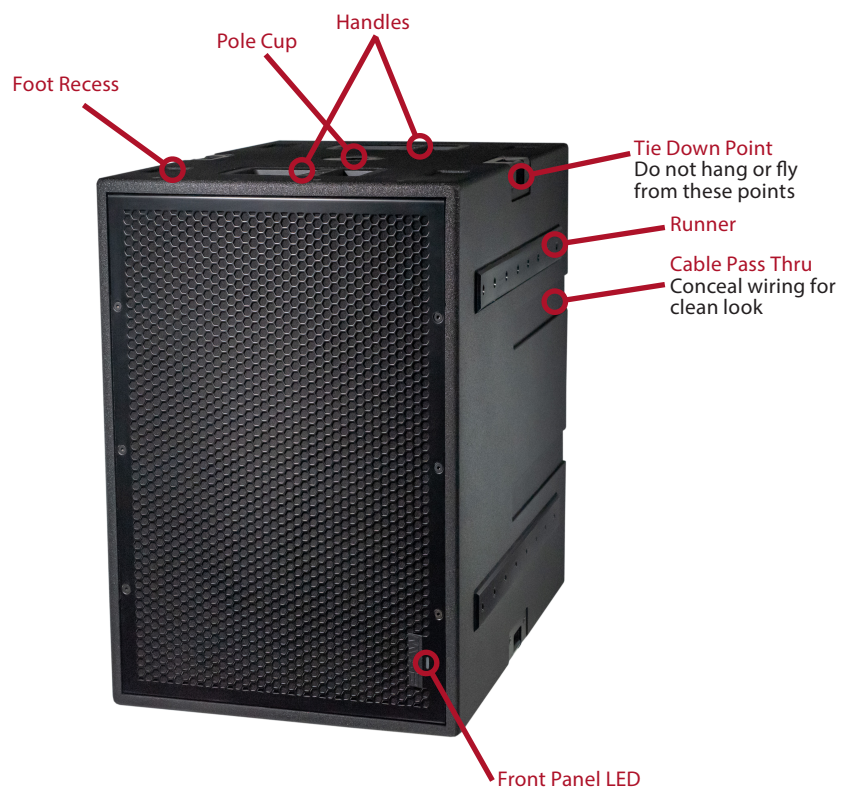
Dante
SPOKEN HERE

OVERVIEW

The SBX118 is a high output, mid-size subwoofer system designed to support any system from RSX to ADAPTive Series products. SBX Series use of neodymium woofers with a 4-in voice coil ensures the best sonic performance, meeting expectations for venues of all sizes.

Engineered for both production and installation uses, the small form factor makes this a small foot print in either case. Equipped with multiple threaded pole mounts and rugged handles, this makes for a perfect solution for smaller gigs or on stage fills. Integrated runners on the top and sides lock subs together to resist movement due to vibration and provide a clean look.

SBX118's hefty grill with large openings protects the woofers, resists damage, and is acoustically transparent. The ultra large port, inspired by aircraft design, eliminates port noise. EAW DynO™ gets every last dB of performance out of the system in the most challenging conditions.



TECHNICAL SPECIFICATIONS

SINGLE 18" POWERED SUBWOOFER

PERFORMANCE	
Max SPL (Half Space)	135dB
Operating Range	25Hz-120Hz

ELECTRICAL	
Input Type	Electronically Balanced
Max Input Level	21dBu
Impedance	20 kOhm (balanced)
Input Wiring	XLRf, Pin 1 chassis, pin 2 +, pin 3 – separate loop-thru XLRM (for analog signal only)
Input Selection	Analog, Dante
Amplifiers & Processing (LF/HF) Type	Modified Class D
Maximum Output	2500W
Driver Protection	Integral DSP limiting
AC Mains (nominal) Connector	Neutrik PowerCON TRUE1 TOP
Input	100V TO 240V
Frequency	50 Hz to 60 Hz
Power Consumption	Idle – 20W
	1/8th - 200W
	1/3rd - 300W
	Full - 550W
Controls/Communication Connections	Neutrik PowerCON TRUE1 TOP
Protocols	Ethernet/Dante
Software	EAW Resolution 2™

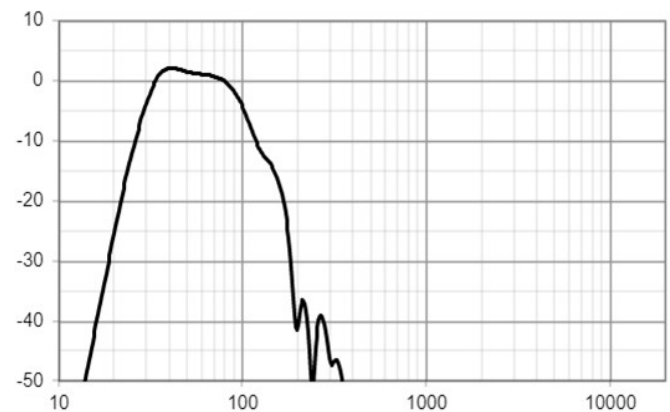
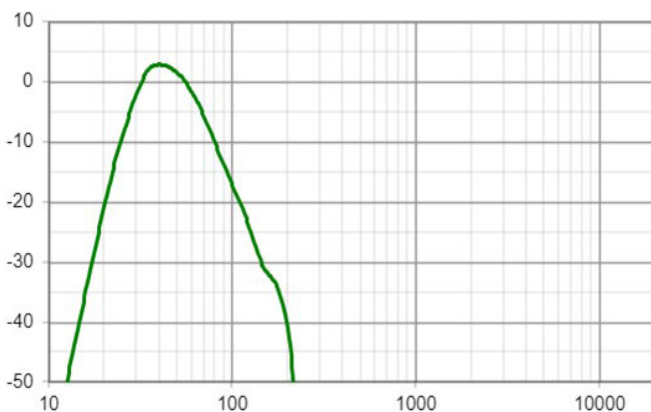
CONFIGURATION		
Subsystem	Transducer	Loading
	1x18" cone, 4" VC	Vented
Operating Mode	Amplifier Channels	External Signal Processing
Single Amp	VLF	DSP w/EAW DynO™

ORDERING DATA	
Part Numbers:	
SBX118 Black	2070834-70
Accessories	
SBX118 CART	2071082-70
SBX118 CASTOR KIT	2070738
SBX118 COVER	2071299
NTX RAINSHIELD-HORIZONTAL	2070971
M20 THREADED POLE	2047634

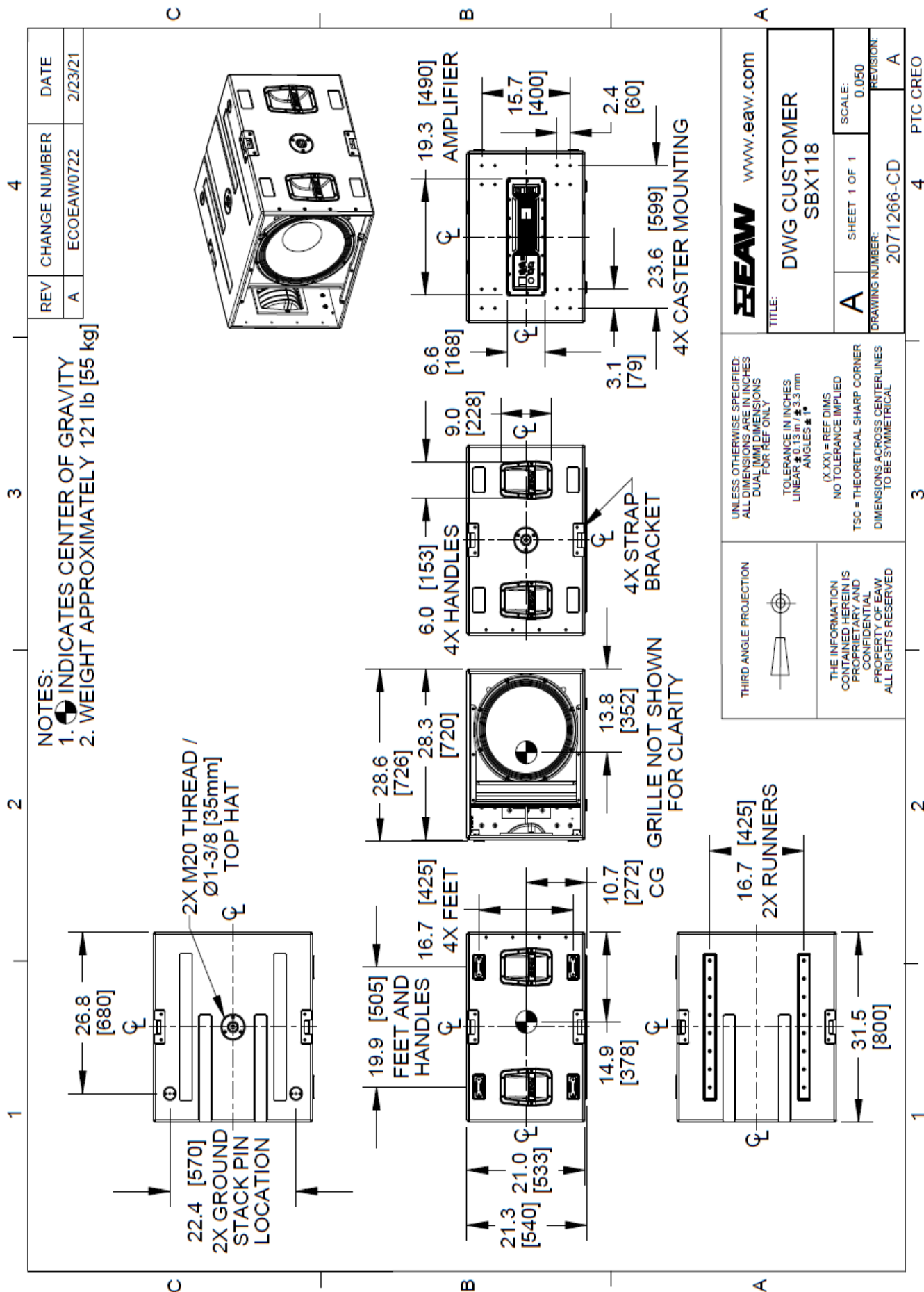
PHYSICAL	
Dimensions (H×W×D)	21.3 X 28.6 X 31.5 (540 X 726 X 800)
Weight	121lbs

PERFORMANCE GRAPHS

Frequency Response¹ ■=60Hz Setting ■=100Hz Setting



¹ Variation in acoustic output level with frequency for a constant input signal. Processed: normalized to 0 dB SPL. Unprocessed inputs: 2 V (4 ohm nominal impedance), 2.83 V (8ohm nominal impedance), or 4 V (16 ohm nominal impedance) referenced to a distance of 1 m.

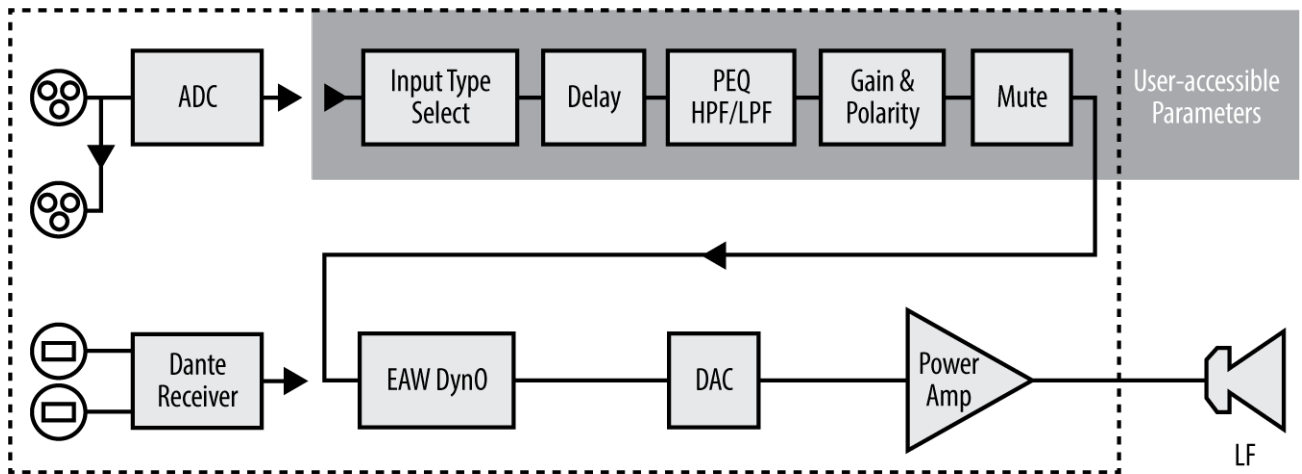


REV	CHANGE NUMBER	DATE
A	EEOEAW0722	2/23/21

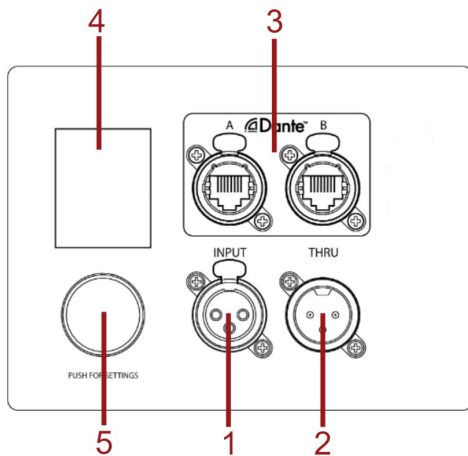
	UNLESS OTHERWISE SPECIFIED: ALL DIMENSIONS ARE IN INCHES DUAL (MM) DIMENSIONS FOR REF ONLY TOLERANCE IN INCHES: LINEAR: 0.15 / 3.8 mm ANGLES: 1°
	(XXX) = REF DIMS NO TOLERANCE IMPLIED TSC = THEORETICAL SHARP CORNER DIMENSIONS ACROSS CENTERLINES TO BE SYMMETRICAL

	www.eaw.com
TITLE: DWG CUSTOMER SBX118	
SHEET 1 OF 1	SCALE: 0.050
DRAWING NUMBER: 2071266-CD	REVISION: A

SIGNAL DIAGRAM



INPUT PANEL



- 1 XLR Input
- 2 XLR Thru
- 3 Dante A / B
- 4 LCD UI Display
- 5 DSP Navigation / Edit Wheel

Legend

- HPF** High Pass Filter for crossover –or– Recommended High Pass Filter
- LPF** Low Pass Filter for crossover
- LF/MF/HF** Low Frequency / Mid Frequency / High Frequency
- AMP** User Supplied Power Amplifier –or– Integral Amplifier for NT products
- XVR** Passive LPFs, HPFs, and EQ integral to the loudspeaker
- EAW Focusing** Digital Signal Processor capable of implementing EAW Focusing
- EAW DynO** Digital Signal Processor capable of implementing EAW DynO processing



One Main Street
Whitinsville, MA 01588
Tel 800 992 5013 / +1 508 234 6158

www.eaw.com

