

MKD800 Series

2-Way Full-Range Dual-Woofer Loudspeakers

- ▶ High-output, passive two-way performance
- ▶ 2in voice coil compression driver with extended bandwidth
- ▶ Precision EAW signature broadband pattern control
- ▶ Flexible mounting, weather protection, color & transformer options

MKD896

▶ 90° x 60°

MKD826

▶ 120° x 60°

MKD864

▶ 60° x 45°



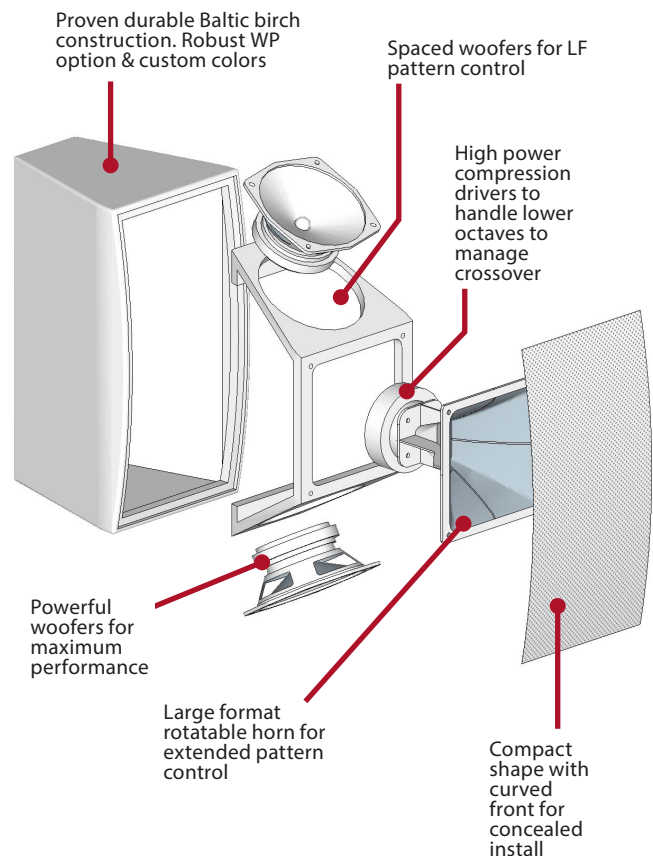
OVERVIEW

The MKD installation loudspeaker series is engineered to deliver the high output, broadband pattern control and exceptional fidelity that is required by real-world applications from stadiums to intimate music clubs.

MKD builds on EAW's long standing tradition of exceptional installation focused loudspeakers developed in partnership with consultants and sound system integrators worldwide. The compact durable Baltic birch enclosure provides for easy installation with an array of M10 mounting points and optional wall-mount or ceiling-mount brackets. MKD also offers weather protection options, custom colors, and a gently curved front allow for concealed installations in the most visually sensitive environments.

MKD leverages the design tenets and core technologies deployed in our QX series by deploying a pair of spaced low frequency transducers centered around a large format rotatable horn. The acoustically advanced transducers are able to be driven an octave lower than standard drivers through the use of our beamwidth matched crossover technology.

INSIDE EAW TECHNOLOGIES



TECHNICAL SPECIFICATIONS

2-WAY FULL-RANGE LOUDSPEAKERS

PERFORMANCE	MKD896	MKD826	MKD864
Max SPL¹ (12 dB Crest Factor)	135 dB		
Max SPL² (6 dB Crest Factor)	129 dB		
Operating Range³	62Hz - 19kHz		
Nominal Beamwidth⁴	90° Horizontal x 60° Vertical	120° Horizontal x 60° Vertical	60° Horizontal x 45° Vertical
Nominal Phase	±15° from ideal high-pass filter		
Input Impedance	LF/HF=8Ω		
ACCELERATED LIFE TEST ⁵			
LF/HF	80v	800W @ 8ohms	
CONFIGURATION			
LF Transducer, Loading	2 x 8in Cone, 2in Voice Coil, Vented		
HF Transducer, Loading	1 x 1in Exit, 2in Compression Driver, Horn Loaded		
Operating Modes	Passive		
PHYSICAL			
Physical/Rigging	12 x M10 Mounting Points / Multi-Mount Pattern		
Dimensions (H×W×D)	21.6 x 10.8 x 13.8in (550mm x 275mm x 350mm)		
Net Weight	42lb (19kg)		
Shipping Weight	50lb (22.7kg)		
Mounting Accessories	U-Bracket, M10 Kit		
Input Connector	NL4 x 2, Barrier Strip		
PHYSICAL	MKD896	MKD826	MKD864
Part Numbers			
Black	2070517-90	2070521-90	2070522-90
White	2070526-90	2070527-90	2070528-90
WP (black only)	2070532-90	2070533-90	2070534-90
Accessories			
M10 Eyebolt Kit	0028272 [PA-A2 EYEBOLT KIT (4 PER)]		
U-Bracket Kit	2071005 (Black) / 2071202 (White)		

1 Calculated max SPL at 1m with 4:1 pink noise, crest factor 12dB. Specified as whole space (free field) for full range loudspeakers, half space for subwoofers.

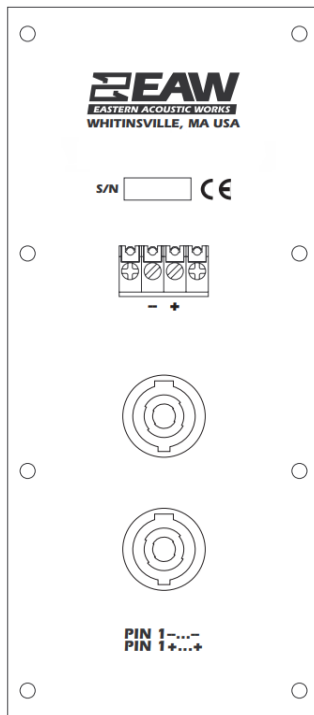
2 Calculated max SPL at 1m with 2:1 pink noise, crest factor 6dB. Specified as whole space (free field) for full range loudspeakers, half space for subwoofers.

3 Operating Range: Range where the processed Frequency Response stays within -10 dB SPL of the power averaged SPL within this range; measured on the geometric axis. Narrow band dips are excepted.

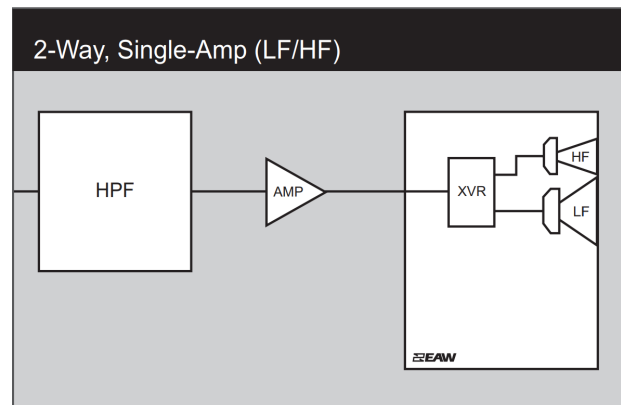
4 Nominal Beamwidth: Design angle for the -6 dB SPL points, referenced to 0 dB SPL as the highest level.

5 Accelerated Life Test: Maximum test input voltage applied with an EIA-426B defined spectrum; measured with recommended signal processing and Recommended Protection Filter.

INPUT PANEL



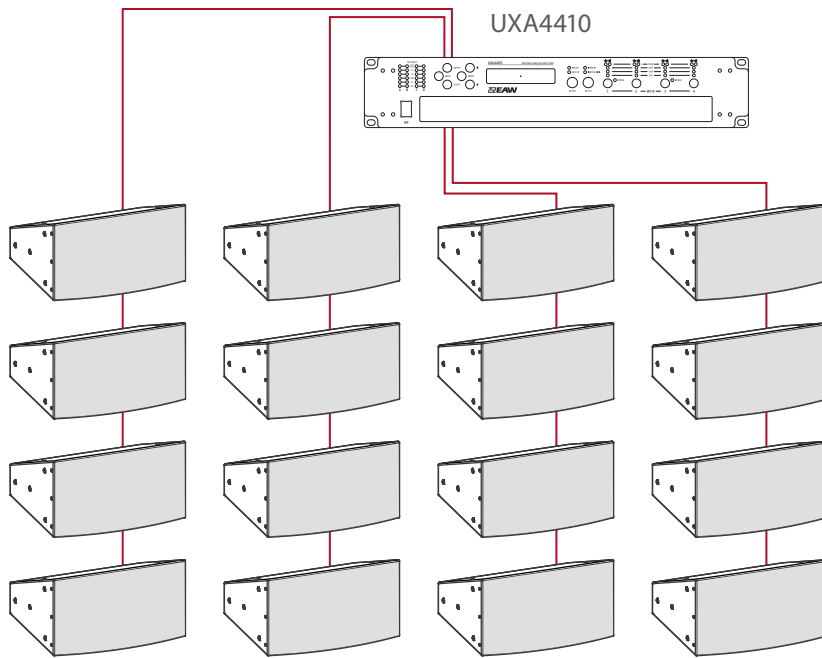
SIGNAL DIAGRAM



LEGEND

- DSP:** User-supplied Digital Signal Processor.
- HPF:** High Pass Filter for crossover or Recommended High Pass Filter.
- LPF:** Low Pass Filter for crossover.
- LF/MF/HF:** Low Frequency / Mid Frequency / High Frequency.
- AMP:** User-supplied Power Amplifier.
- XVR:** Passive LPFs, HPFs, and EQ integral to the loudspeaker.

RECOMMENDED AMPLIFIER CONFIGURATION



MODEL	PER CHANNEL	PER AMPLIFIER
UXA4810	2	16
UXA4406	3	12
UXA4410	4	16

EAW strongly recommends utilizing the processing setting to take full advantage of your speakers. Pair with EAW UXA Amps for the best performance of EAW Technologies

Third-Party DSP Support

- ▶ QSYS
- ▶ Powersoft

RIGGING CONFIGURATION

Numerous M10 points for flexible mounting



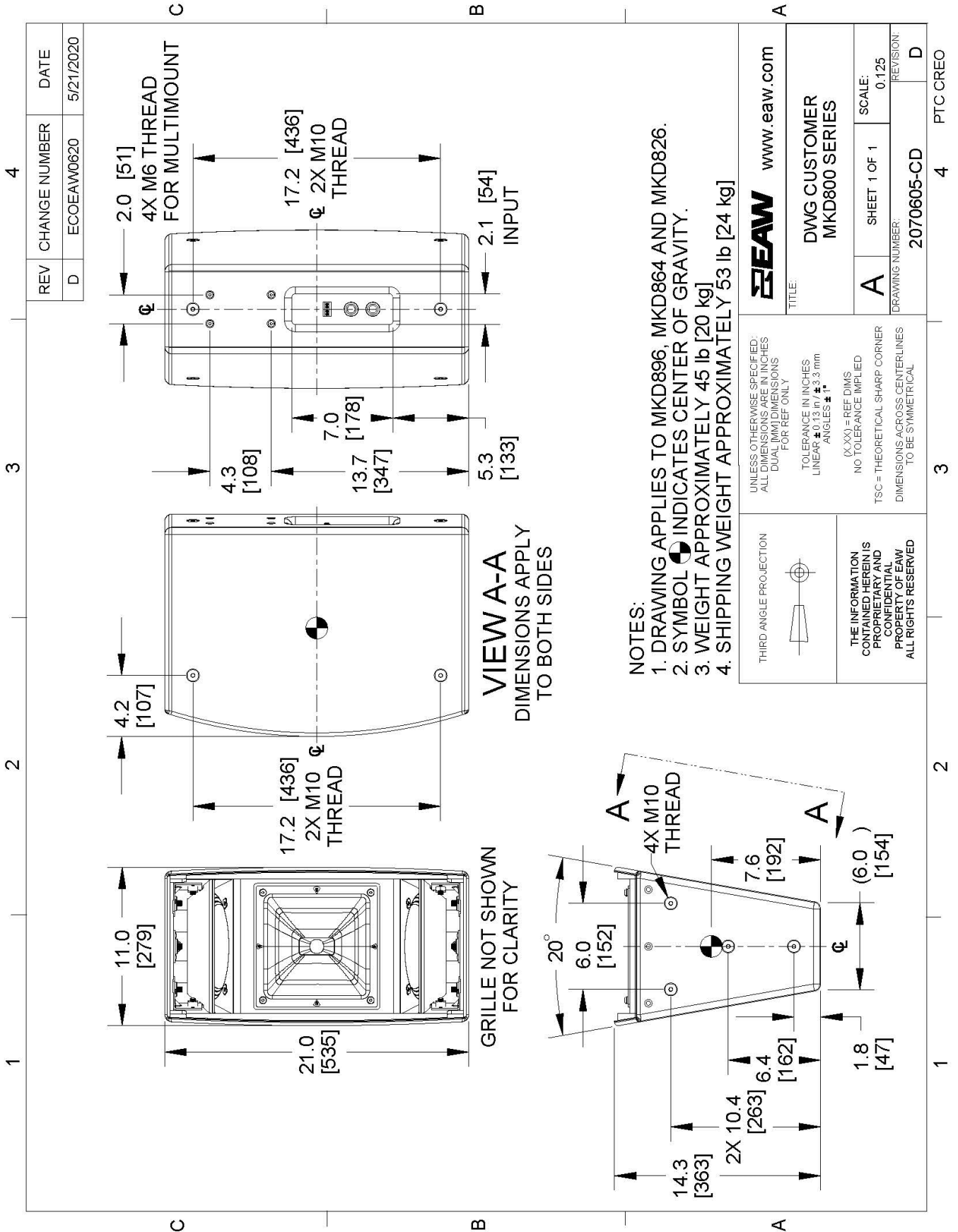
MOUNTING HARDWARE

EAW

DESCRIPTION	PART NUMBER
M10 Eyebolt Kit	0028272 [PA-A2 EYEBOLT KIT (4 PER)]
U-Bracket Kit	2071005 / 2071202

Third-Party Compatible

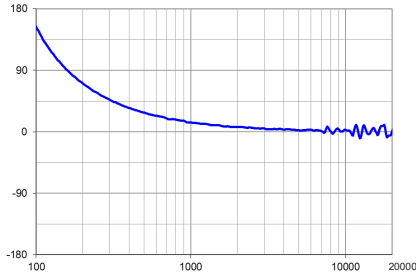
BRAND	MODEL
Adaptive Technologies	MM-60
Polar Focus	QX Mounting System



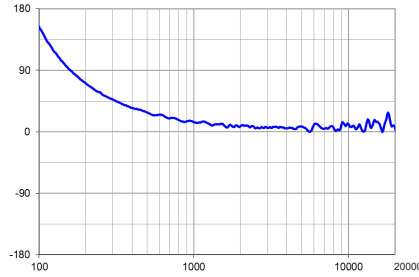
PERFORMANCE GRAPHS

Phase Linearity

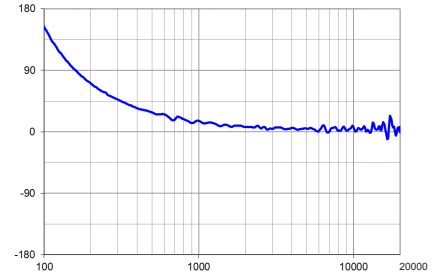
MKD896



MKD826

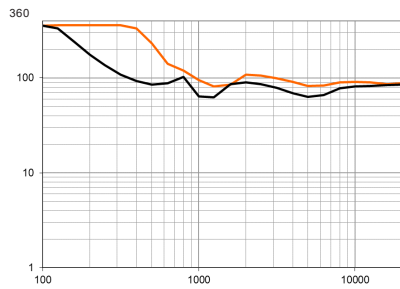


MKD864

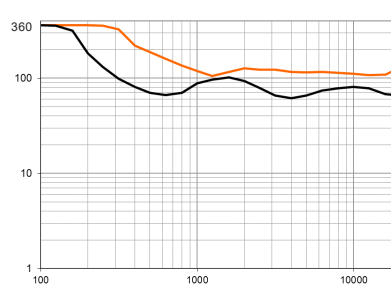


Beamwidth¹ ■=Vertical ■=Horizontal

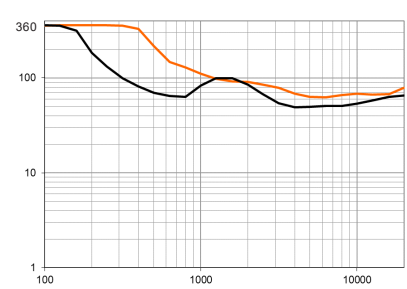
MKD896



MKD826

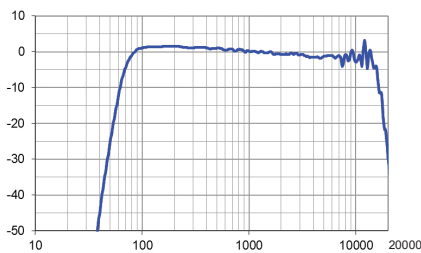


MKD864

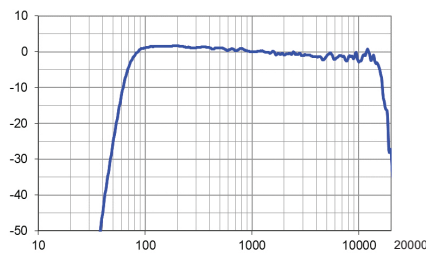


Frequency Response²

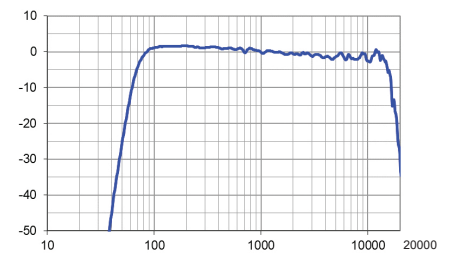
MKD896



MKD826



MKD864



1 Average angle for each 1/3 octave frequency band where, starting from the rear of the loudspeaker, the output first reaches -6 dB SPL referenced to 0 dB SPL as the highest level. This method means the output may drop below -6 dB SPL within the beamwidth angle.

2 Variation in acoustic output level with frequency for a constant input signal. Processed: normalized to 0 dB SPL. Unprocessed inputs: 2 V (4 ohm nominal impedance), 2.83 V (8ohm nominal impedance), or 4 V (16 ohm nominal impedance) referenced to a distance of 1 m.



One Main Street
Whitinsville, MA 01588
Tel 800 992 5013 / +1 508 234 6158

www.eaw.com

