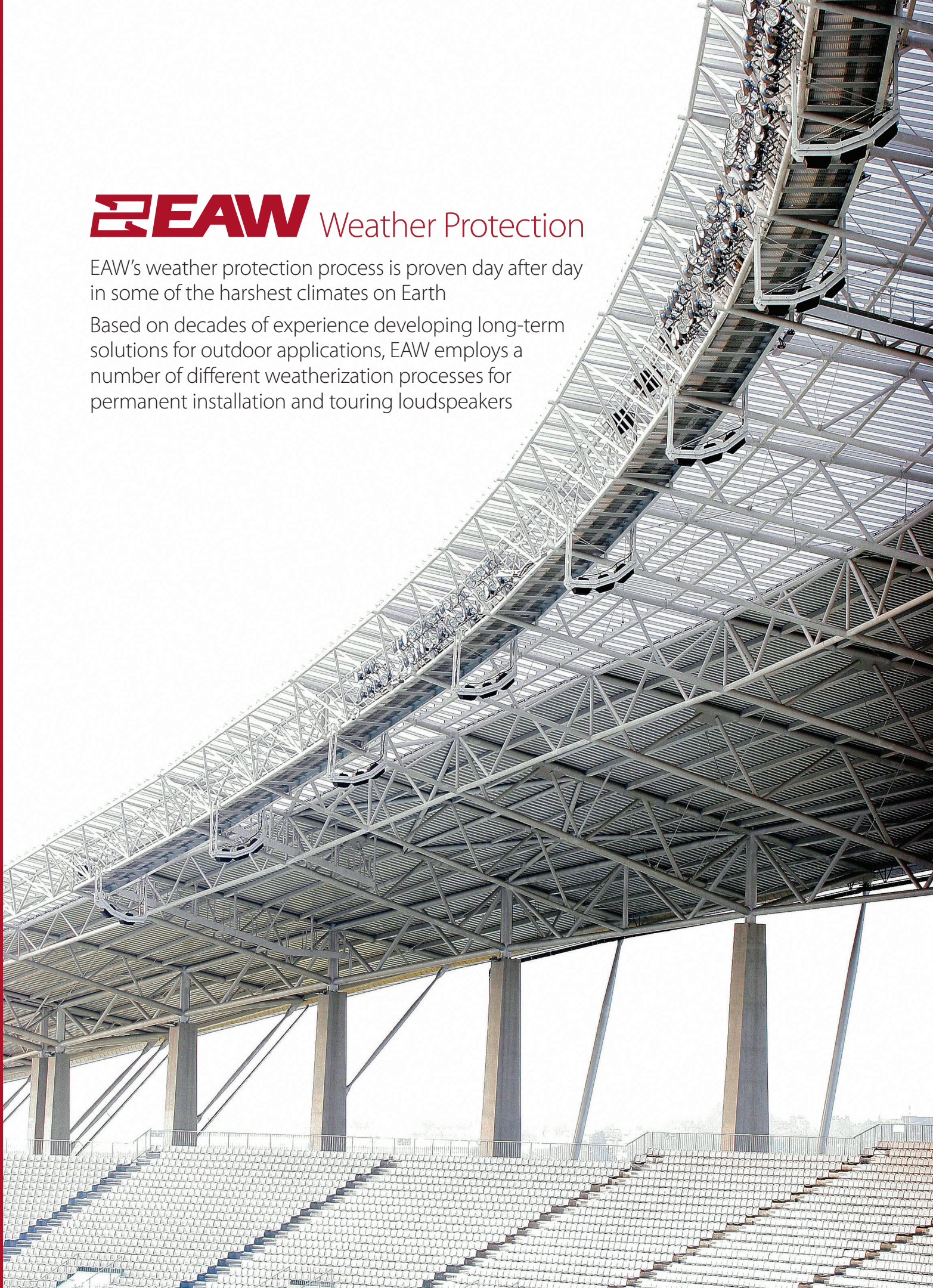


# **EAW** Weather Protection

EAW's weather protection process is proven day after day in some of the harshest climates on Earth

Based on decades of experience developing long-term solutions for outdoor applications, EAW employs a number of different weatherization processes for permanent installation and touring loudspeakers



## WP (Weather Protection)

Any product bearing the –WP designation (i.e. QX544i-WP or MK5396i-WP) employs the following measures to minimize the impact of rain, sleet, snow and moisture. Note: Specific weather treatments vary per model.

## Touring

Designed for life on the road, EAW's touring products include corrosion-resistant hardware components, treated cones, synthetic grille foam and other features to withstand temporary rain, wind, dust and/or high heat during events. For sustained outdoor use, EAW offers WP versions of many touring products (such as the KF740P-WP).

EAW stands by its weather-protection processes. Based on years of experience, EAW products are designed with materials and processes that have been tested to provide the following IEC protection rating per IEC 60529.

EAW Product Family	Product Category	IP Rating Qualification
MKi-WP, MKD-WP, MKC-WP (includes any PL versions)	Installation	56
QX-WP, JF-WP	Installation	64*
KF730P-WP, KF740P-WP, KF810P-WP	Installation	56
KF810P	Installation	54
AC6	Installation/Production	54
SBzP/SB-WP	Installation	56
<b>Other EAW WP models</b>		<b>Minimum: 54</b>

\*IP66 if ordered with optional Stainless Steel mesh. Requires that supplied weather protection shields are used.

These enclosure equivalence ratings are determined in configurations with the front of the enclosure level, or at negative tilt levels. WP process will achieve a minimum rating of IP54.

Non-WP EAW production-grade touring products, including Anna, Anya, Otto, JF series, KF series, Microwedge and SB series, have been tested beyond standard specifications in real-life scenarios. These products have a history of surviving harsh weather conditions including extreme cold, heat and hurricanes.

## Installation and Maintenance

EAW Weather-Protected Loudspeaker Systems are intended to withstand direct exposure to the weather. However, any steps which can be taken to minimize this exposure will maximize the life of the loudspeaker system. These include:

- Select mounting locations that provide some level of shielding from the weather. Examples include balcony overhangs, etc.
- If a dedicated loudspeaker system support structure is to be provided, a simple roof construction can help reduce exposure of the loudspeakers to direct moisture
- Aim loudspeaker systems in a manner consistent with EAW's recommended use. This will assure that weather-protection features are properly oriented
- Never submerge weather-protected loudspeakers

NOTE: The warranty on Weather-Protected loudspeakers will be voided if reasonable care is not taken in selecting mounting locations. Locations which channel or direct water onto installed loudspeaker systems will void the warranty. Submersion of loudspeakers will void warranty.

## IP Rating Qualification

The IP Code, International Protection Marking, IEC standard 60529, classifies and rates the degree of protection provided against intrusion (body parts such as hands and fingers), dust, accidental contact, and water by mechanical casings and electrical enclosures. It is published by the International Electrotechnical Commission (IEC) and is broken down in the following way, whereby a given assembly is classified by a four-character rating:

IP[ x<sup>1</sup> ] [ x<sup>2</sup> ]

x<sup>1</sup> – Refers to solid particle protection

x<sup>2</sup> – Refers to liquid ingress protection

## Maintaining Weather-Protection Features

Care must be taken during installation or maintenance to avoid any measures that could compromise weather-protection features.

Of particular concern are:

### Mounting Hardware

Each product is shipped with a bolt in each available mounting point. Each bolt is sealed with a non-hardening, waterproof, non-locking thread sealant. Any bolts removed during the installation process must be replaced, as an exposed bolt hole provides an opening into the interior of the loud-speaker enclosure. Any bolts removed and replaced during installation must be resealed.

In no case should any type of hardware be used to mount the loudspeaker system except for structurally approved stainless-steel hardware which mates into factory-installed mounting points integral to the loudspeaker system.

### Fiberglass Shell

Each loudspeaker system must be handled carefully during installation to avoid cracking or perforating the exterior fiberglass shell.

In no case should anything be attached to the loudspeaker shell, except using structurally approved stainless-steel hardware which mates into the factory-installed mounting points integral to the loudspeaker system.

## Maintaining Weather-Protection Features (continued)

### Grilles

Grilles may be factory attached using screws of varying lengths. Use care when reattaching grille to ensure that all hardware is returned to the correct locations.

### Access Hatches

Hatches that are removed for any reason must be replaced and sealed with a non-hardening, waterproof, UV-stable sealant suitable for use over the temperature range typical for your geographical location. Sealant must be compatible with the surface being sealed to ensure proper adhesion. Hardware used to secure hatches must be sealed with a non-hardening, non-locking thread sealant.

### Input Cover Plates

All cover plates must be in place after connections to the loudspeaker system have been made. Conduit should be connected to cover plates using waterproof fittings. Bolts securing cover plates<sup>1</sup> must be sealed with a non-hardening, non-locking thread sealant.

### Drivers/Transducers

EAW drivers/transducers intended for use in Weather-Protected systems are designed specifically for outdoor applications. Failed units should only be repaired/replaced with factory-authorized parts. When contacting the EAW Service Department, be sure to notify service personnel that the replacement part is for use in a Weather-Protected system.

### Routine Inspection

While installed, loudspeakers should be periodically examined and tested to maintain performance and safety. Two main areas for inspection are Acoustical Performance and Structural Integrity. Some of the main inspection points are as follows:

#### Acoustical Performance

Loudspeakers should be individually checked by an experienced sound system professional to verify that all drivers are operational.

Please contact the system installer or EAW for further assistance or guidance with testing.

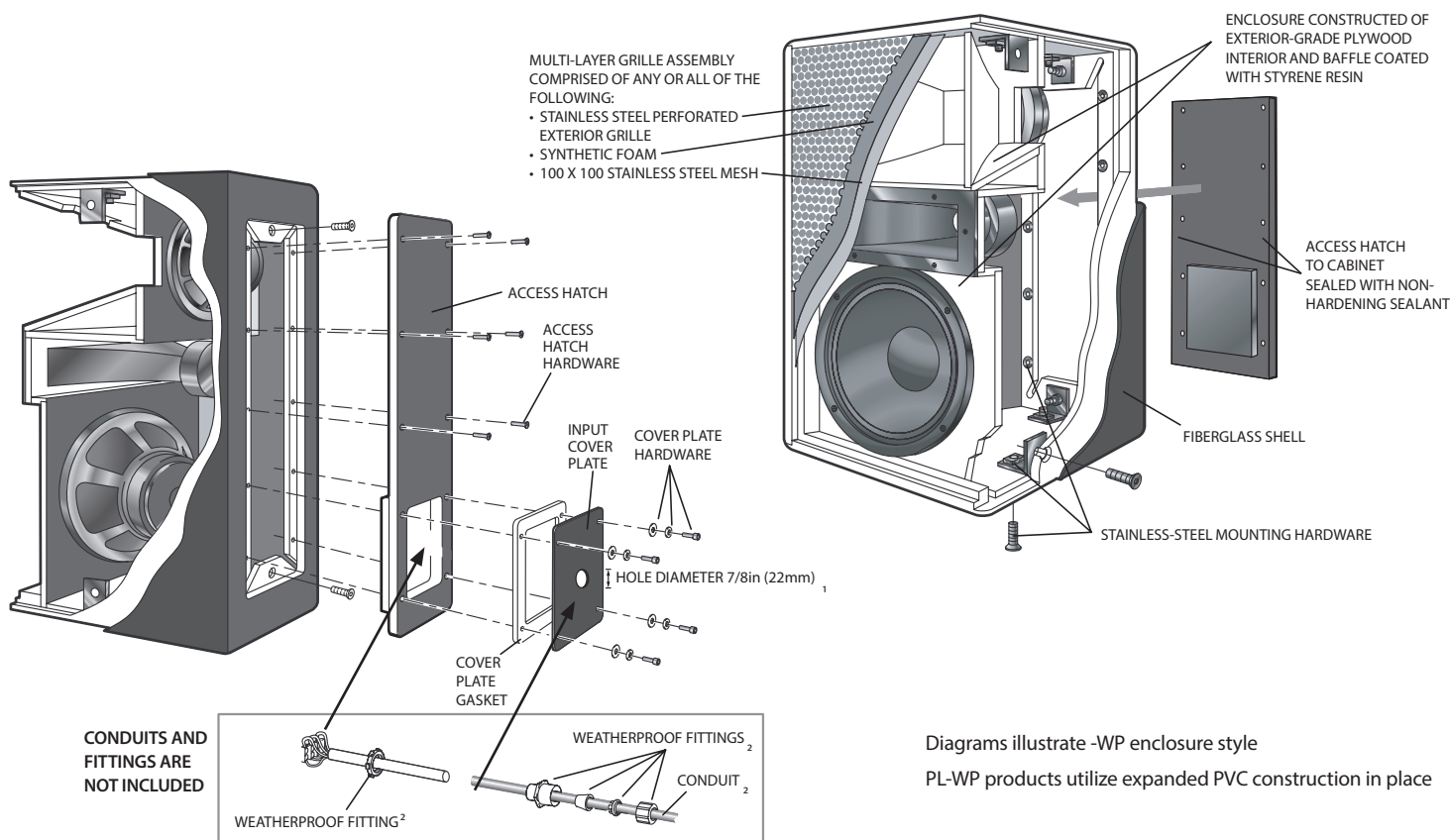
#### Structural Integrity

Loudspeakers should be periodically examined for signs of physical damage. Specifically, the following should be checked:

- Damage to loudspeaker due to vandalism
- Deterioration of mounting hardware due to rust or corrosion
- Damage to weather-protection features due to improper installation or maintenance
- Any other deterioration of the loudspeaker system including loosening of parts, accessories or attachments which could fall or cause injury

Failure of any type should be immediately reported to the system installer or Eastern Acoustic Works.

If you need assistance, please contact us at +1 (508) 234-6158 or toll free at +1 (800) 992-5013. We will be happy to provide more detailed information on testing, maintenance, installation, or any other aspect of your loudspeaker system.



Diagrams illustrate -WP enclosure style  
PL-WP products utilize expanded PVC construction in place

<sup>1</sup> Accommodates 1/2in (M16) NPT gland nut or conduit fitting  
<sup>2</sup> Conduits and fittings are not included



One Main Street | Whitinsville, MA 01588 | USA

tel 800 992 5013 / +1 508 234 6158

[www.eaw.com](http://www.eaw.com)

©2021 EAW

All other trademarks referenced herein are the property of their respective owners. All rights reserved.  
Products are not drawn to scale. All terms, conditions, and specifications subject to change without notice.

PN 0000696(D)