

## General Description

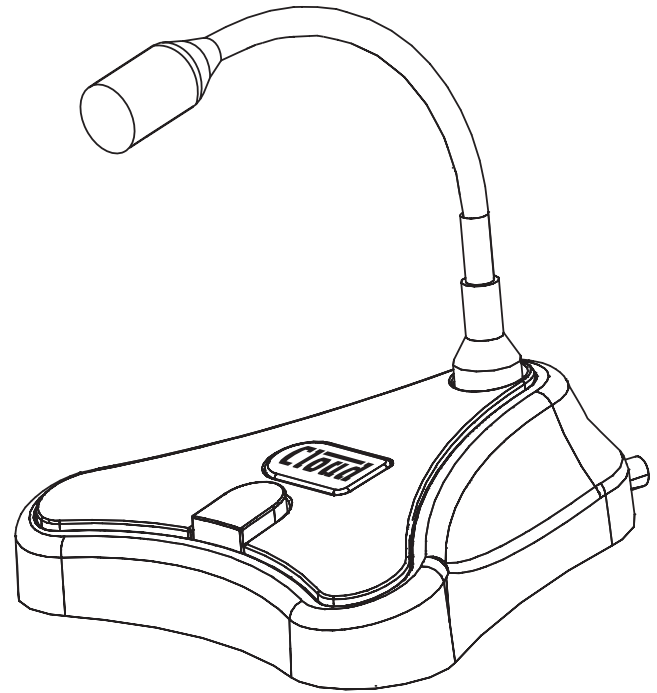
The Cloud PMI is a passive paging microphone for simple single-zone applications. It is ideal for use with any Cloud zoner or mixer-amplifier where single zone paging is required, but may also be used with third-party zoners, etc., provided they are equipped with simple contact-closure mic access.

The PMI is directly compatible with the following current\* Cloud products:

- DCM1 Digitally Controlled Mixer
- Z4II and Z8II Venue Mixers
- CX163, CX263 & CX261 Zone Mixers
- CAM16 Audio Distribution Matrix
- 36/50 and 46/50 Integrated Mixer Amplifiers
- CX462 Audio System Controller
- MPA Series Mixer-amplifiers
- MA60/MA60MEDIA Mixer-amplifiers

\*Other, older Cloud products may also be compatible; please contact Cloud's Technical Department for advice, or visit [www.cloud.co.uk](http://www.cloud.co.uk).

The PMI's heavy-duty moulded base and 300 mm gooseneck mic give it a modern, attractive appearance, yet it is extremely robust for everyday use. It is ideal for use behind bars in restaurants and other licensed premises. Internal screw-terminal connector blocks are provided for wiring the mic audio signal and access contacts. The PTT (Press To Talk) button unmutes the mic and provides contacts (NO or NC) for the host device's access connector.



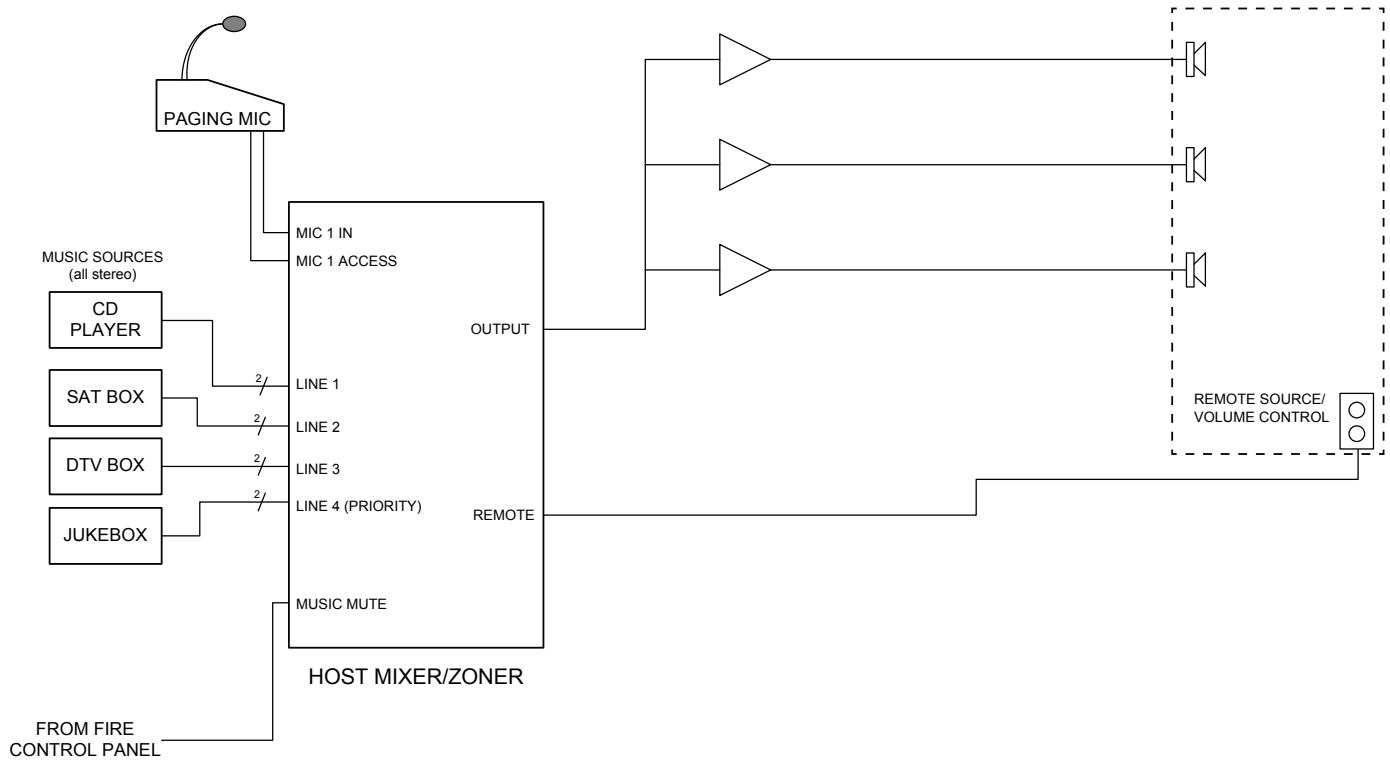
Cloud PMI

- Single-zone paging microphone
- Directly compatible with current suitable Cloud host products
- High quality dynamic mic mounted on 300 mm gooseneck
- Supplied with windshield
- Solid, heavy non-slip base

- Integral PTT (Press To Talk) switch
- NO or NC contacts for external mic access on host zoner/zoner-amplifier
- Mic is muted when not in use
- Internal cable connections with cable retention strap

## System Example

The PMI can be used in any situation where paging is required into an area of a building configured as a single zone – i.e., all amplifiers/loudspeakers in the area are fed from a single source.

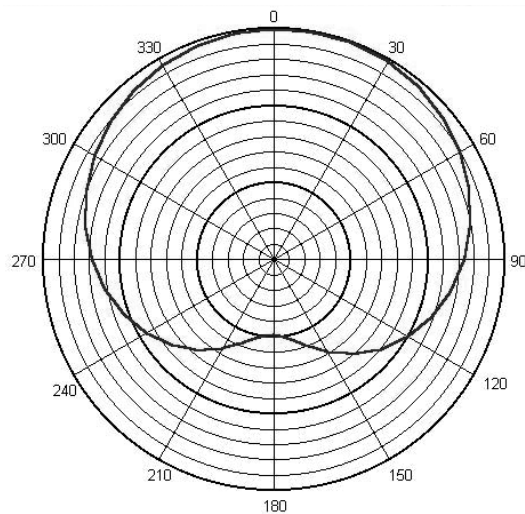


The diagram shows a PMI microphone connected to a “generic” mixer or zoner, together with a variety of music sources. Provided the host device is correctly configured, pressing the PMI’s PTT switch will automatically mute the selected music source and allow paging from the microphone.

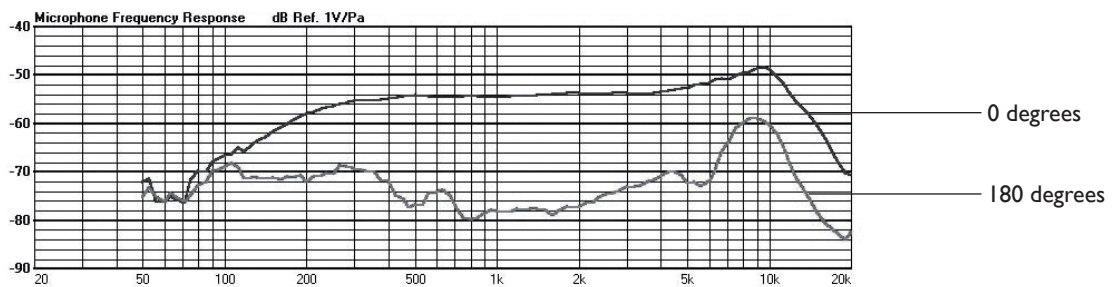
## Technical Specifications

		PMI
<b>Microphone</b>	Capsule Type	Dynamic, Cardioid
	Frequency Response	80 Hz - 15 kHz
	Sensitivity	-54 dB + -3 dB (0 dB = 1 V/Pa at 1 kHz)
<b>PTT Switch</b>	Type	Momentary
	Contacts	NO and NC
<b>Connections</b>	Audio	Balanced, 3.5 mm-pitch screw terminals
	Control	NO/NC, 3.5 mm-pitch screw terminals
	Cable Access	At rear, 9 mm max. diameter, internal retention
<b>Physical</b>	Base dimensions (W x D x H)	150 x 150 x 43 mm / 5.9" x 5.9" x 1.7"
	Gooseneck length (inc. capsule)	312 mm / 12.28"
	Weight (net)	430 g / 0.95 lbs

## Performance Graphs



**Polar Response**  
Source level: 0.1 Pa  
Frequency: 1000 Hz  
Measurement distance: 50 cm  
Test instruments: Bruel & Kjaer 2012 & 9640



**Capsule Frequency Response**  
Source level: 0.1 Pa  
Measurement distance: 50 cm  
Test instruments: Bruel & Kjaer 2012 & 9640

## Architect's and Engineer's Specification

The single-zone paging microphone shall consist of a gooseneck-type dynamic microphone capsule mounted on a non-slip steel base to minimise movement on a polished surface. The microphone response pattern shall be cardioid. The microphone and gooseneck shall be non-removable.

Operation shall be via a momentary PTT (press-to-talk) switch. This button will a) unmute the microphone and b) provide both normally-open (NO) and normally-closed (NC) contacts for connection to short-to-ground type access control ports on suitably equipped audio mixers and zoners.

The microphone audio output shall be balanced with connection at an internal screw-terminal block. A similar terminal block shall be provided for connection of the access control cable.

The paging microphone shall not contain any active electronics and will operate without AC or DC power.

The paging microphone shall be the Cloud PM1.

**Cloud Electronics Limited**

140 Staniforth Road, Sheffield, S9 3HF, England.  
Telephone: +44 (0)114 244 7051 Fax: +44 (0)114 242 5462  
Web: [www.cloud.co.uk](http://www.cloud.co.uk) E-mail: [info@cloud.co.uk](mailto:info@cloud.co.uk)

**Cloud Electronics USA**

2065 Sidewinder Drive, Suite 200, Park City,  
Utah 84060, United States of America.  
Toll Free: 0855 810 0161  
Web: [www.cloudusa.pro](http://www.cloudusa.pro) E-mail: [sales@cloudusa.pro](mailto:sales@cloudusa.pro)