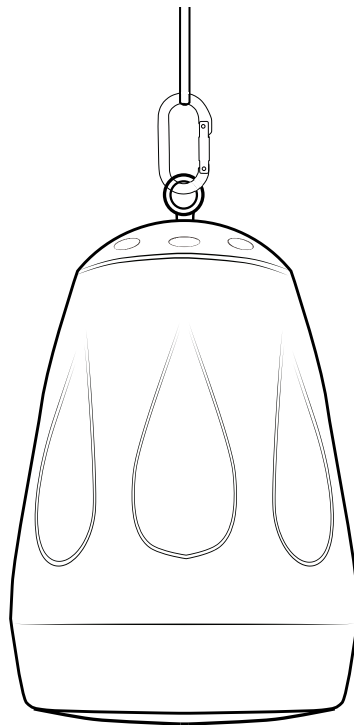


CVS Series Pendant Loudspeakers



Models

CVS-P42W, CVS-P42B, CVS-P62TW, CVS-P62TB

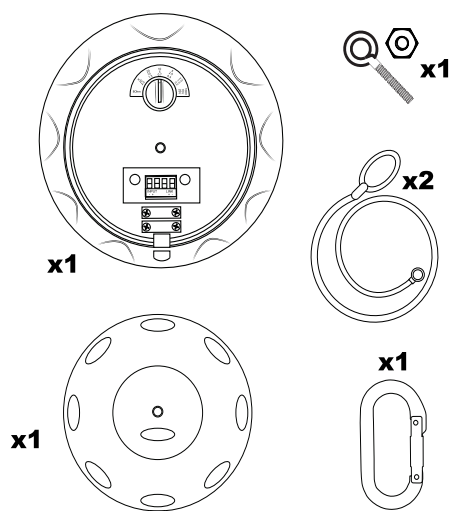
Installation Guide

INTRODUCTON

Thank you for purchasing a Cloud Pendant Speaker. These pendant Ceiling Speakers are the ideal choice for high ceiling and open space environments. These speakers have a 1-inch aluminium dome tweeter with a rust resistant aluminium grill and the UV resistant cabinet also makes them great for outdoor use. Cloud CVS speakers come with a 25V/70V/100V/8 ohm selector and provide a convenient way to equip a room with sound, where ceiling mount speakers cannot be used. This product comes with easy-to-install hanging suspension cable and carabiner.

Please read through the manual to familiarise yourself with the safety information, features and applications before installing the product.

INCLUDED IN THE BOX



Features:

- 4.5 inch or 6 inch Polypropylene Coned Woofer
- 1 inch Aluminium Dome Tweeter
- 25/70/100 V/8 ohm Selector
- UV Resistant PP Housing
- Rust Resistant Aluminium Grill
- Paintable Enclosure to match any decor
- Outdoor and Landscape mountable (Accessories sold separately)

IMPORTANT SAFETY INSTRUCTIONS



This symbol, whenever it appears, alerts you to the presence of uninsulated, dangerous voltage inside.

Voltage that may be sufficient to constitute risk of shock.



This symbol, whenever it appears, alerts you to important operating and maintenance instructions in the accompanying literature. Please read the manual.

READ INSTRUCTIONS: Retain safety and operating instructions for future reference. Heed all warnings printed here and on the equipment. Follow the operating instructions printed in this user guide.

HANDLING

Do not use nails, adhesives or other devices. Long term use and vibrations may cause speaker to fall.

Do not touch or bump the woofer or tweeter. If these are damaged, the sound will be distorted.

SERVICING

Do not attempt to clean the speakers with chemical solvents as this may damage the paint surface; clean with a dry cloth.

INSTALLATION

When speakers are to be suspended from a ceiling, check that the ceiling structure is reliable and the speaker is firmly attached.

Do not attach the speakers to fine wood or soft wall material. Doing so can cause the speaker to become unsecured and potentially cause personal injury or damage to the speaker.

Be sure to use both cables. One is for hanging and one is for safety.

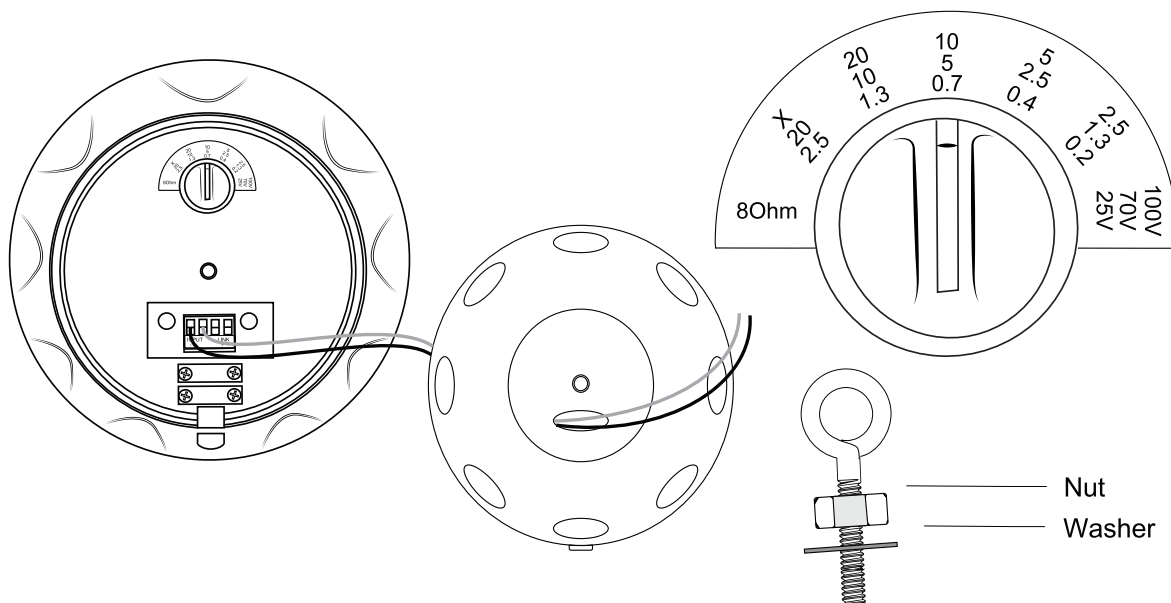
SET UP AND OPERATION

This speaker is designed to hang from the ceiling. A safety cable should be used when installing the speakers to avoid personal injury and damage to the speaker.

1. Set the speaker to the proper setting for your installation (25/70/100 V/8 ohm)
2. Install the top cover and fasten the provided eye-hook, nut and washer to the top cover and speaker as illustrated below.
3. At each speaker location, route the speaker cable(s) hanging from the ceiling area through the top cover, and dress the cables to the wire rope using plastic cable ties. If using a supplied back cover, slide the speaker cables through the back cover. Strip the ends of the cables approximately 1/8" to 3/16" (3 mm - 5 mm) and if the wire is stranded twist the strands.
4. Connect the wires from the amplifier (or the previous speaker) to the supplied terminal block, using the IN terminal; red to + and black to -. Please refer to the following pages for examples of various types of applications.

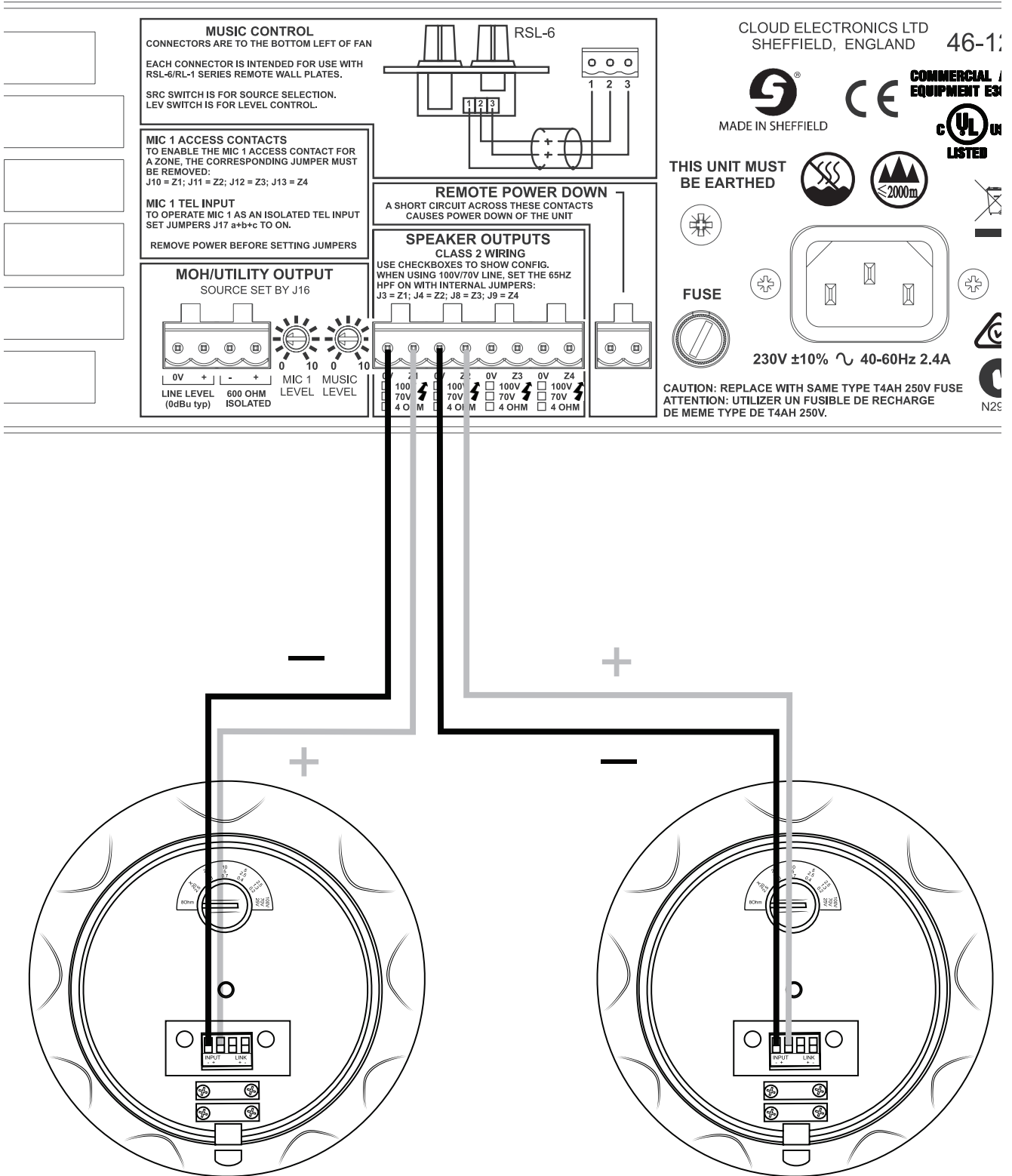
Attach the speakers to the safety cable (refer to page 6).

5. If mounting to the wall/ceiling with the mounting bracket, use the appropriate hardware and securely attach the bracket to the ceiling/wall (refer to page 6).

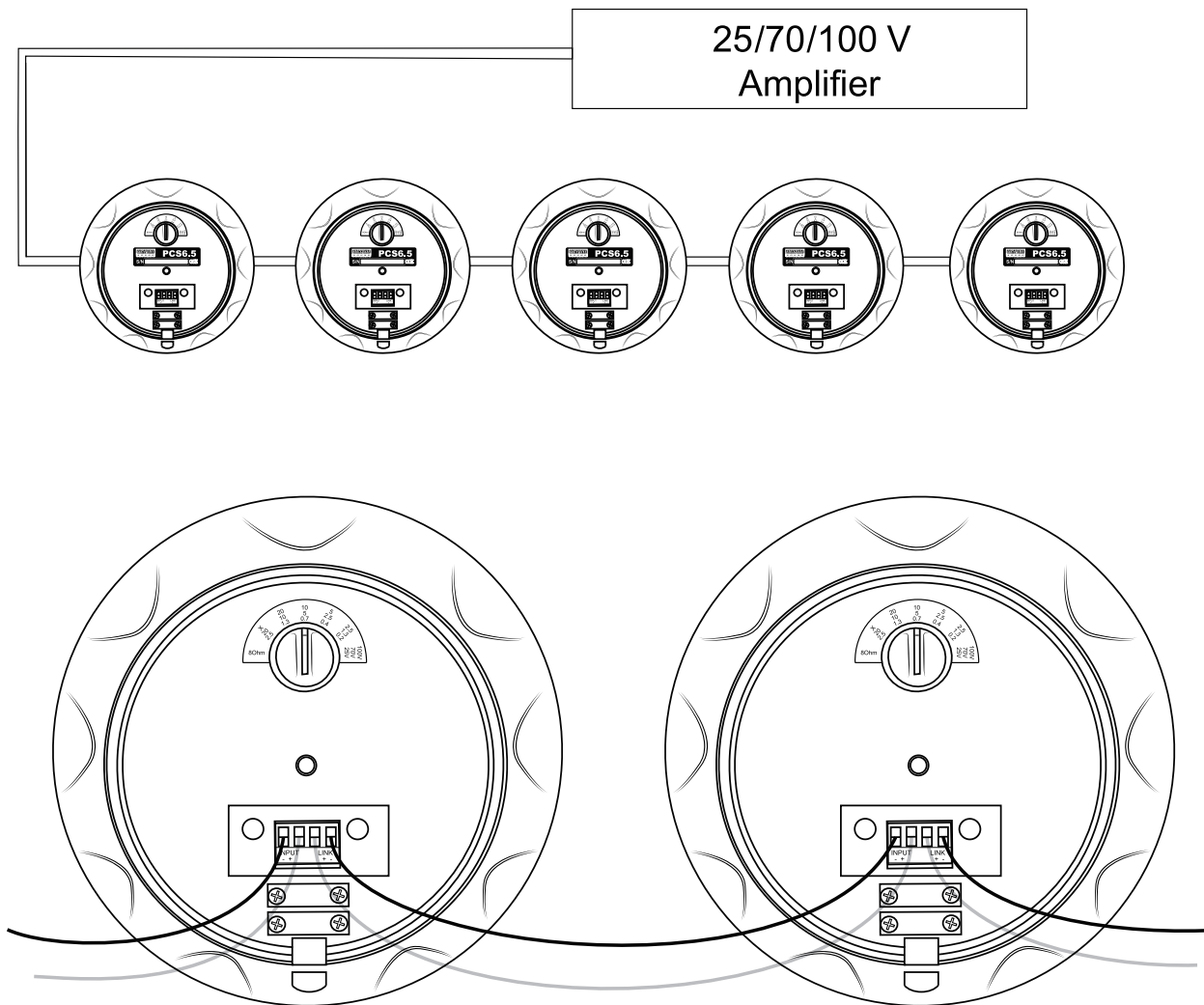


NOTE: If the speaker is to be installed outdoors, you will need to purchase the optional accessories separately.

STANDARD 8 OHM APPLICATION



25/70/100 V APPLICATION




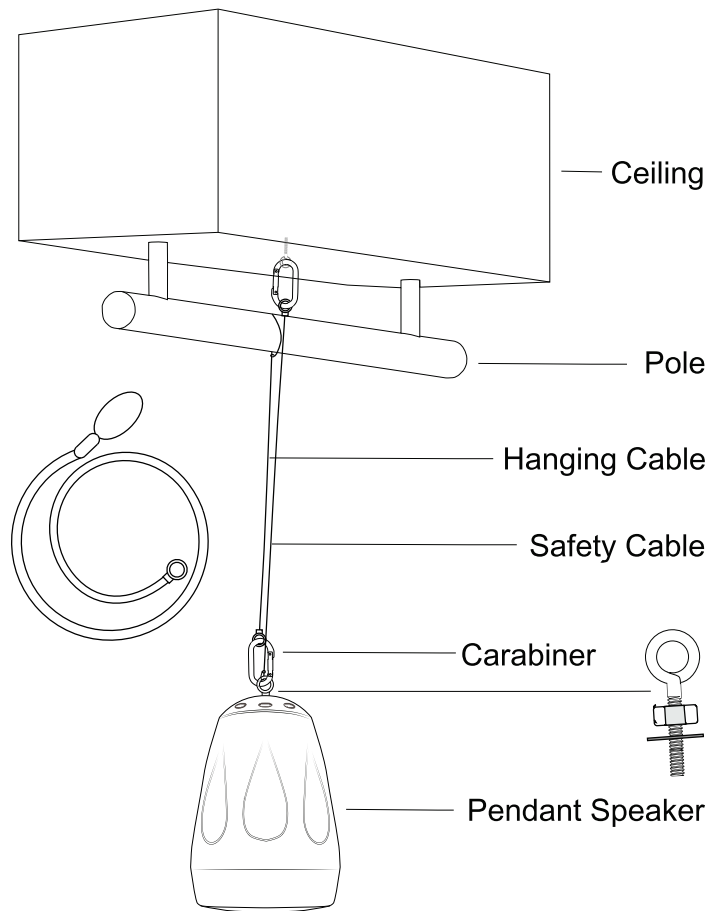
NOTE: The above example shows a total of five speakers. Using the 10W setting, you will need an amplifier with at least $5 \times 10 \text{ W} = 50 \text{ W}$. A good rule of thumb to remember is that the total number of speakers multiplied by the setting you select, cannot exceed the output power of the 25/70/100 V amplifier. You should select an amplifier with 20% greater power; in this example you would need an amplifier that delivers about 60 W.



When installing multiple rows of speakers, we strongly recommend multiple wire runs. one run per row. We do not recommend a single wire run.



HANGING INFORMATION

 Make sure the speaker is properly secured to the ceiling/building structure. Please use the correct screw/bolt as failure to do so may cause the speaker to become unsecured and cause damage and/or injury.



OPTIONAL WALL MOUNT

An optional wall mounting bracket part no. WB-P46W & WB-P46B is available.

 When mounting the speaker to the wall make sure the correct screws/bolts and anchors are used.
 We strongly suggest adding the safety cable to the speaker and securing it to the building's structure