



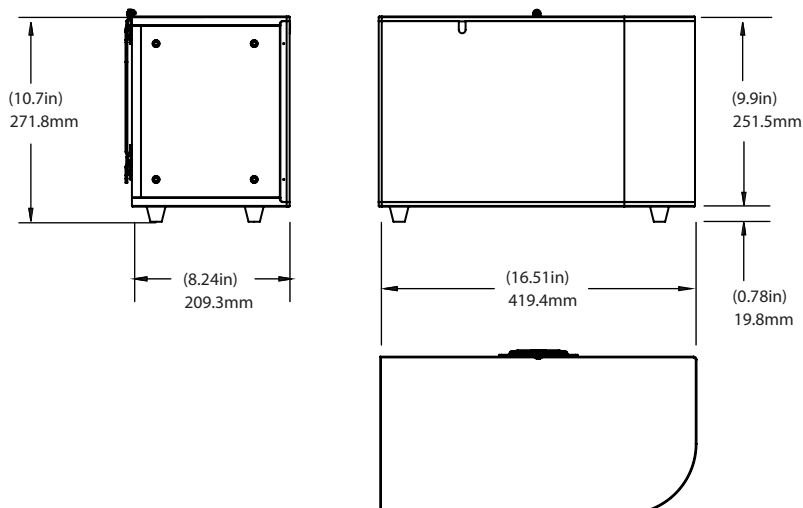
General Description

The Cloud CS-SUB8 is an 8 inch passive subwoofer featuring powerful bass response in a small package. Using a premium woofer and first order crossover network, the CS-SUB8 adds punch and low end reinforcement to Cloud's line of full range speakers. The 8.0 inch woofer incorporates a large magnet structure, treated paper cone, and long throw butyl rubber surround for lasting, low distortion performance. The included 100 W transformer provides plenty of power for background to foreground music applications.

The CS-SUB8 incorporates several features that make it a premium, versatile subwoofer. The low profile cabinet is easy to hide in any installation, but the architectural aesthetic makes it desirable to show. The CS-SUB8 ships with rubber feet installed for floor or shelf mounting, and includes a versatile surface mount bracket that can securely mount the speaker in either the vertical or horizontal orientation. It can also be flown via the threaded inserts on the side or bottom. The CS-SUB8 pairs well with the CS-S3 and CS-C3 to make a complete, premium business music system.

- Premium driver and electronics for exceptional sound quality and intelligibility
- Integrated high power transformer
- Striking architectural aesthetic
- Versatile mounting using included rubber feet, or included surface mount bracket.
- Optional flying using forged eye bolts and cables (sold separately)

Loudspeaker Dimensions



Applications

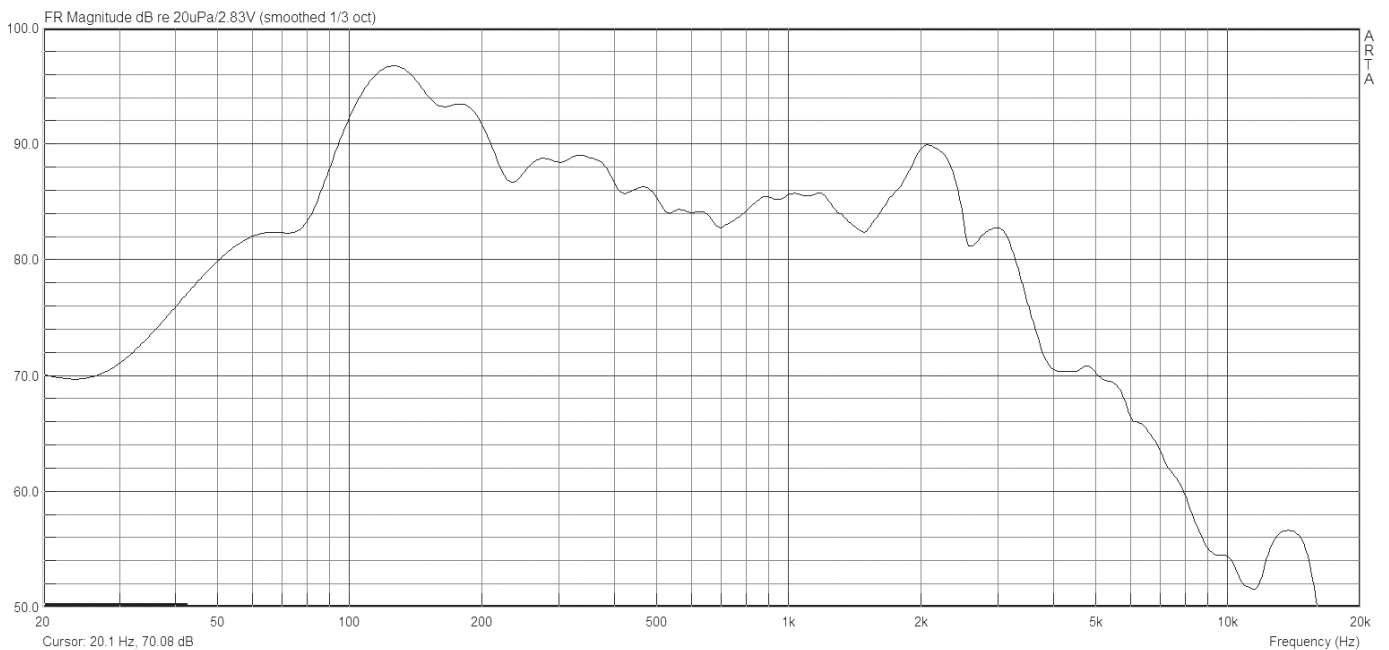
The CS-SUB8 was developed as a versatile mid-SPL bass reinforcement speaker. It offers superior acoustic performance, and premium design at an economic price point. It is ideally suited for use in restaurants, retail stores, airports, churches, board rooms, health care facilities, and hotels. The CS-SUB8 offers well matched bass reinforcement to any Cloud full range speaker. The CS-SUB8 is a premium mid-SPL subwoofer that offers high end performance and design at an affordable price point. When paired with the CS-S3 or CS-C3, the CS-SUB8 makes a complete, premium business music system.

Tap Settings

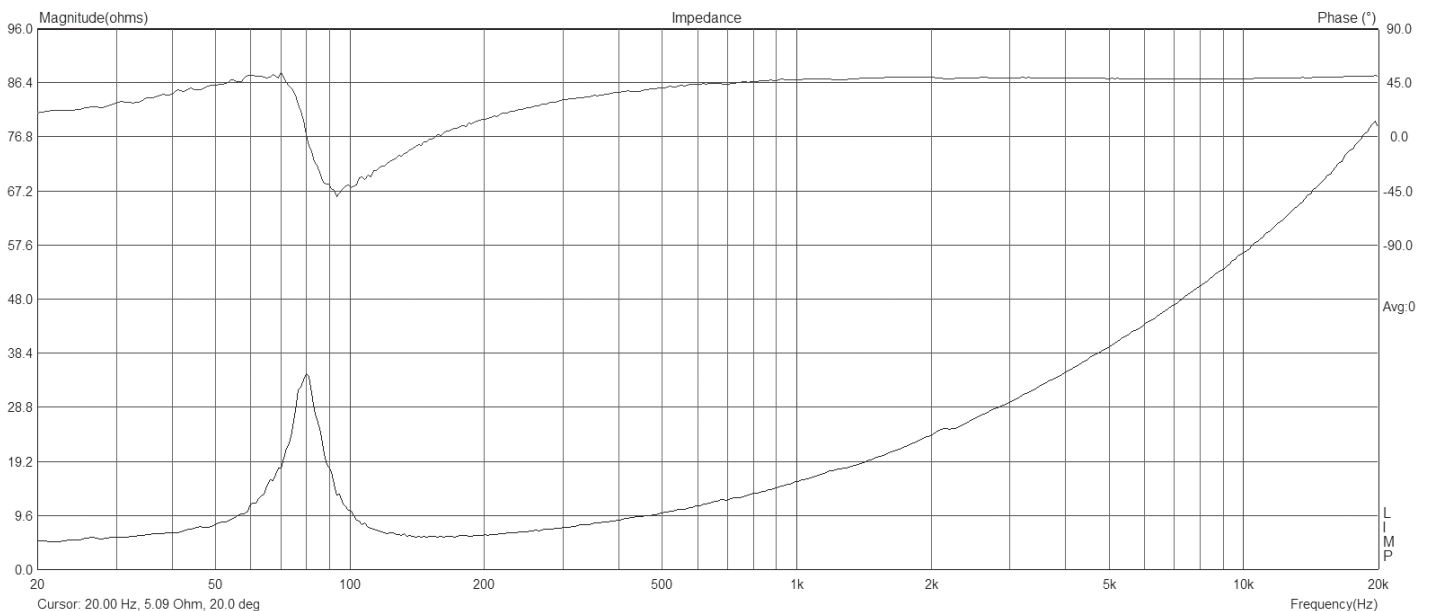
Tap	Tap Settings		
	100V	70V	25V
1	4 ohm		
2	X	100W	13W
3	100W	50W	7W
4	50W	25W	3W
5	25W	13W	1.5W
6	13W	6W	0.8W

Graphs

Frequency Response



Impedance



Technical Specifications

Description	8" passive surface or shelf mount subwoofer
Response (f3)	74 Hz -200 Hz
Response (f10)	58 Hz -500 Hz
Crossover frequency	500 Hz, 1st order (6 dB/octave), passive
Impedance	4 ohm
Sensitivity (2.83 V/1 m)	90 dB
Sensitivity (1 W/1 m)	87 dB
Power handling	100 W
Maximum SPL	107 dB
Transformer taps	100, 50, 25, 13, 7 W
Tweeter	n/a
Woofer	8 inch treated paper with rubber surround
Input	4 pin Euroblock
Included accessories	Input cover plate (installed), male Euroblock, rubber feet, surface mount bracket
Optional accessories	M6 forged eyebolts for hanging
Available colours	Black RAL9011, White RAL9003
Packaging	1 per box, cardboard inner packaging, single instruction sheet
Net weight/Gross weight	5.0 kg (11 lb) / 7.0 kg (15.43 lb)
Conformance	UL1480 / 2043 planned, RoHS, CE approved

Architect's and Engineer's Specification

The loudspeaker shall consist of one MDF and plywood enclosure containing one transducer, a frequency dividing network, a transformer, and acoustic damping material. It shall incorporate eight M6 threaded inserts for mounting rubber feet, an included surface mount bracket system, or forged eyebolts for flying. It shall include one powder coated steel grill affixed to the baffle.

The loudspeaker shall include one 203.2 mm (8.0 in) low-frequency transducer with a first order frequency shaping crossover network installed in a ported enclosure. The low frequency voice coil diameter shall be 25.4 mm (1.0 in). The low-frequency transducer shall have a treated paper cone material with a butyl rubber surround.

The loudspeaker shall include a 100 W transformer with taps at 100 W, 50 W, 25 W, 13 W, and 7 W. Said taps shall be selected via an included tap switch located on the rear of the speaker. The transformer shall accept 25 V, 70.7 V or 100 V. The tap switch shall also include a transformer bypass position, allowing for direction connection to the 4 ohm low impedance circuit.

Nominal performance specifications shall be as follows: The loudspeaker shall have a usable frequency range extending from 58 Hz - 500 Hz (-10 dB). The internal passive crossover shall be tuned to 500 Hz (6 dB/octave). The nominal impedance shall be 4 ohms, and the maximum continuous RMS power handling shall be at least 100 W according to the EIA-426-B standard. Sensitivity measured at 2.83 V / 1 m shall be 90 dB. The maximum output at 1 m shall be 107 dB.

Installation for the speaker shall be via the eight M6 threaded inserts. The speaker shall ship with four rubber feet installed in the threaded inserts. The speaker shall also include a surface mount bracket system including two speaker brackets, four bracket mounting screws, one wall bracket, and one locking screw to lock the speaker bracket onto the wall bracket. Hardware for mounting the wall bracket is not included. The M6 threaded inserts are also suitable for flying using optional forged eyebolts and suitable cables (sold separately).

The external wiring shall be via 4-position 5.08 mm Euroblock connector, accepting up to 10 gauge wire. The maximum overall height (including 20 mm rubber feet) shall be no more than 271.5 mm (10.69 in), the maximum depth shall be no more than 209.3 mm (8.24 in), and the maximum width shall be no more than 419.4 mm (16.51 in). The unit is factory preset to the 100 watt setting in the 100 volt operating mode, with a tap switch located on the back surface.

The system shall be the Cloud CS-SUB8 for both low and high impedance applications.