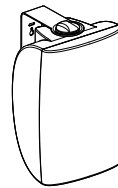


# CS-S Series Surface Mount Loudspeakers

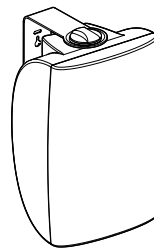
## CS-S4

4" SURFACE MOUNT LOUDSPEAKER



## CS-S6

6.5" SURFACE MOUNT LOUDSPEAKER



# Installation Guide



**CAUTION - Installation**

Speaker must be installed by qualified speaker technician.



**CAUTION - Servicing**

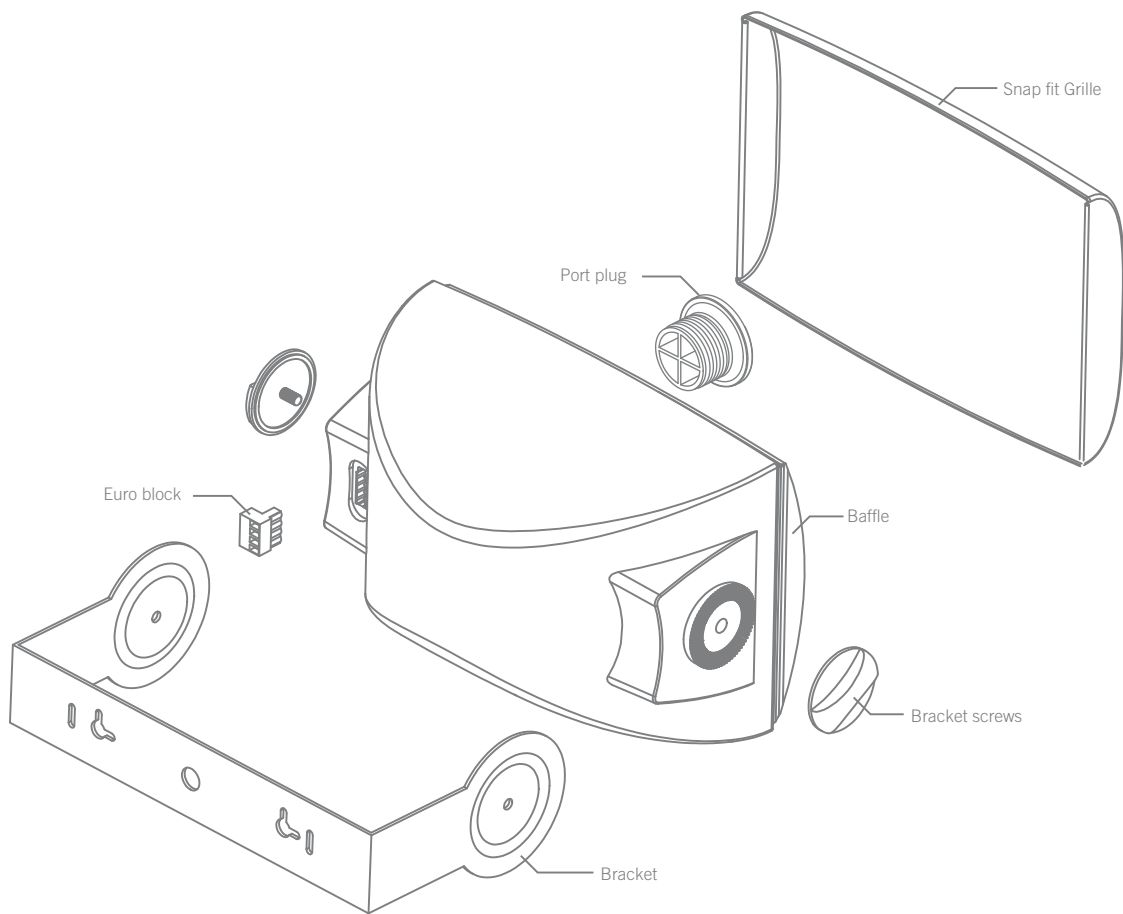
Do not perform servicing unless you are qualified to do so. The unit contains no user-serviceable parts. Refer servicing to qualified personnel.



**CAUTION - Tap Switch**

Before use check and set tap switch under grille to proper setting for your system.

## EXPLODED VIEW



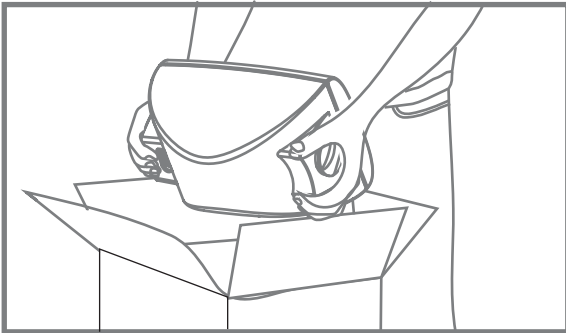
## TAP SETTINGS

Tap	CS-S6			CS-S4		
	100V	70V	25V	100V	70V	25V
1	16 ohm			16 ohm		
2	X	32W	4W	X	20W	2.5W
3	32W	16W	2W	20W	10W	1.3W
4	16W	8W	1W	10W	5W	0.6W
5	8W	4W	0.5W	5W	2.5W	0.3W
6	4W	2W	0.3W	2.5W	1.3W	0.2W

# INSTALLATION

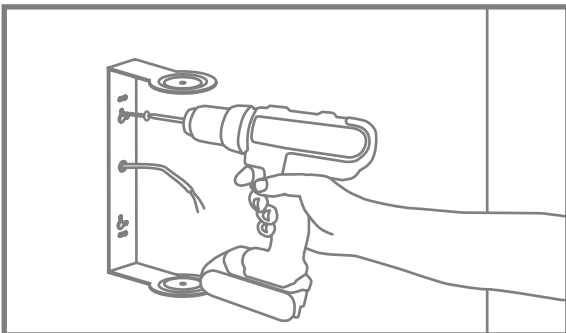
## Step 1

Remove speaker from box.



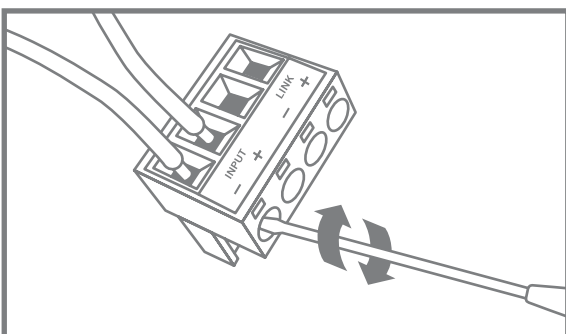
## Step 2

Mount bracket to wall.



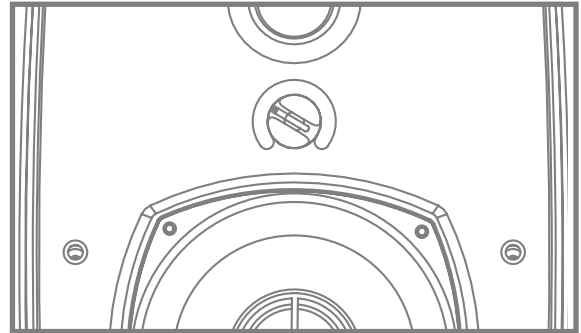
## Step 3

Locate euroblock in accessory bag and connect signal wire. For daisy-chaining use "LINK" output to run to next speaker.



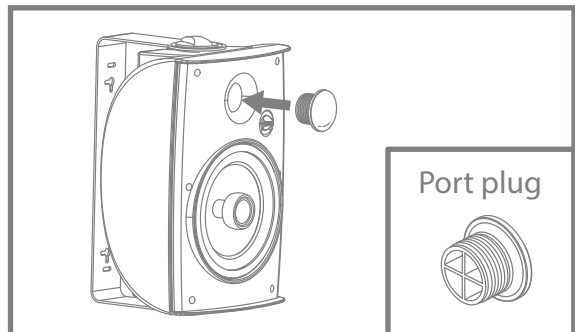
## Step 4

Remove grille and set tap switch to proper setting. Tap switch is preset to highest 100V position.



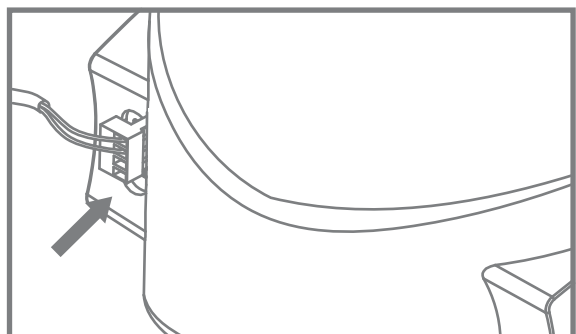
## Step 5

For increased weather resistance in outdoor applications, press port plug into port on the baffle.



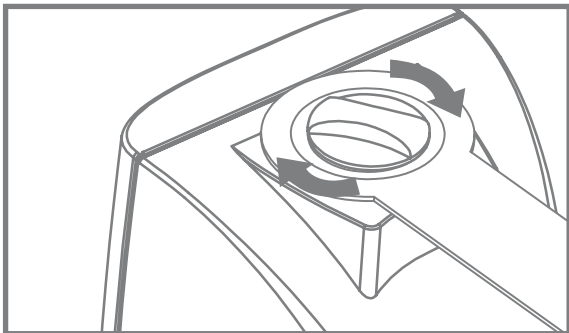
## Step 6

Insert euroblock into rear of speaker.



## Step 7

Slide speaker into bracket and tighten bracket screws.



## Step 8

Aim speaker and tighten bracket screws.

