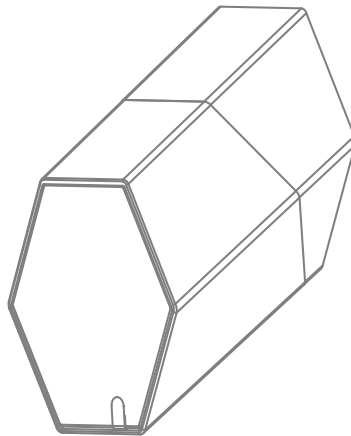


CS-S3

3” Surface Mount Loudspeaker



Installation Guide



CAUTION - Installation

Speaker must be installed by qualified speaker technician.



CAUTION - Servicing

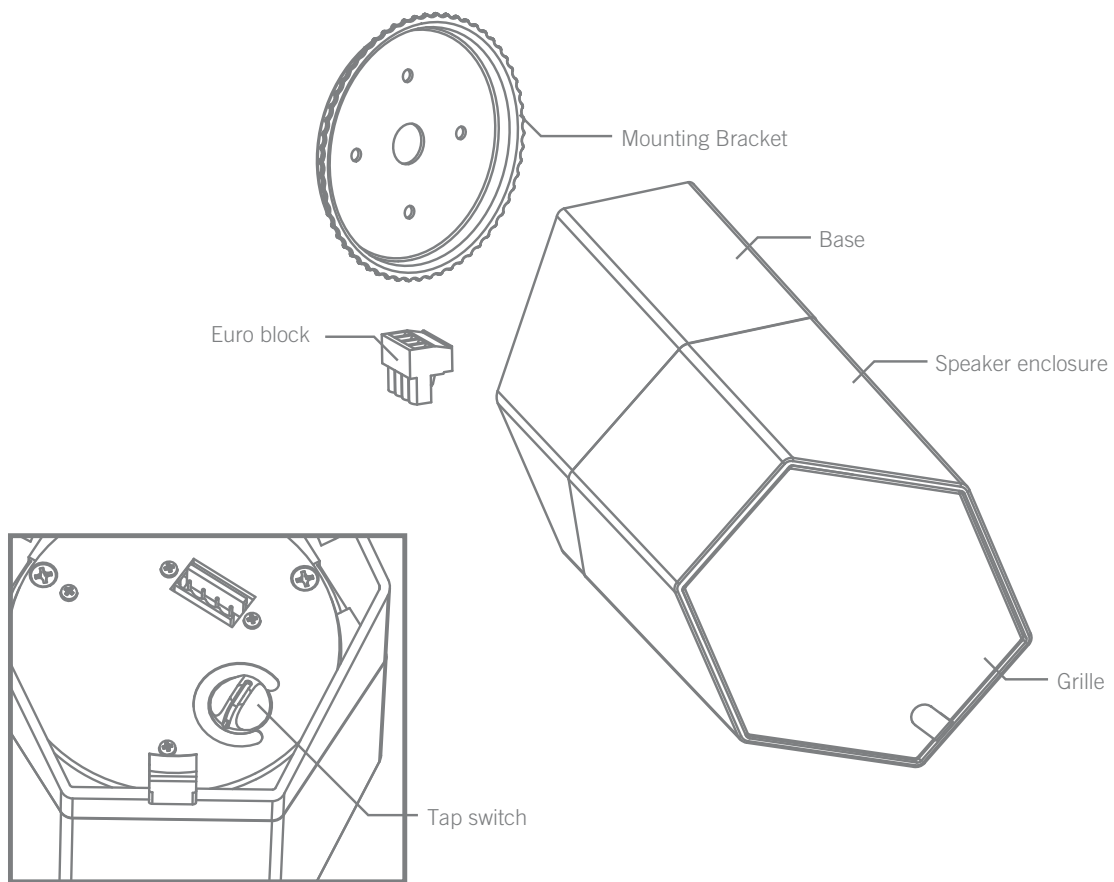
Do not perform servicing unless you are qualified to do so. The unit contains no user-serviceable parts. Refer servicing to qualified personnel.



CAUTION - Tap Switch

Before use check and set tap switch under grille to proper setting for your system.

EXPLODED VIEW



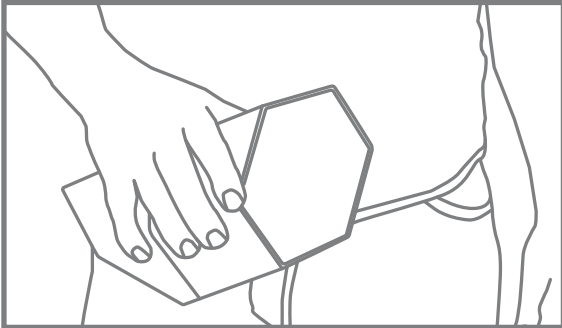
TAP SETTINGS

Tap	CS-S3		
	100V	70V	25V
1	16 ohm		
2	X	16W	2W
3	16W	8W	1W
4	8W	4W	0.5W
5	4W	2W	0.3W
6	2W	1W	0.2W

INSTALLATION

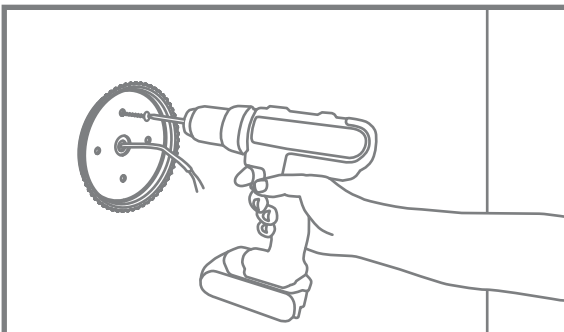
Step 1

Remove speaker from box.



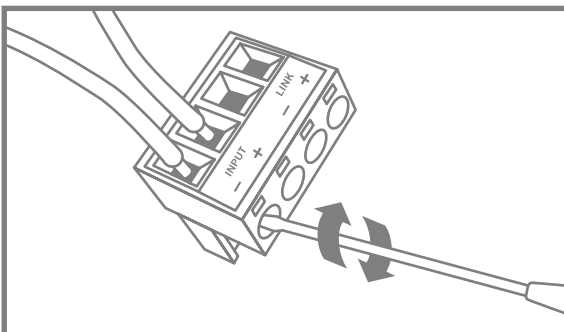
Step 2

Mount bracket to wall.



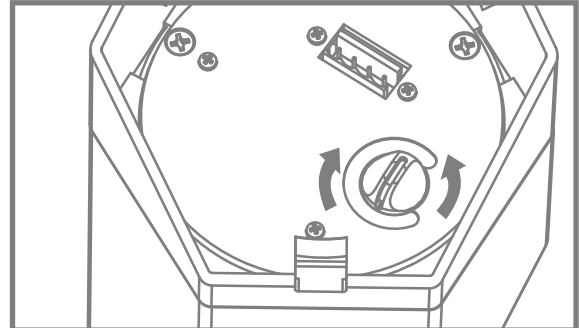
Step 3

Locate euroblock in accessory bag and connect signal wire. For daisy chaining, use "LINK" output to run to next speaker.



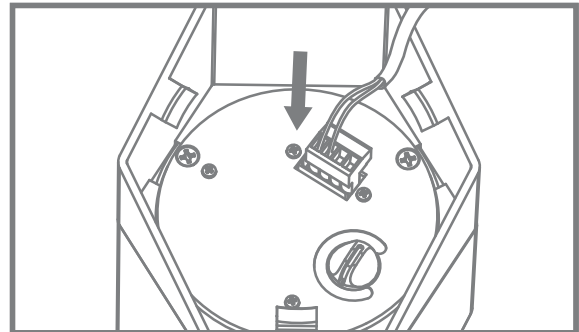
Step 4

Set tap switch located on back of speaker to proper setting. Tap switch is preset to highest 100V position.



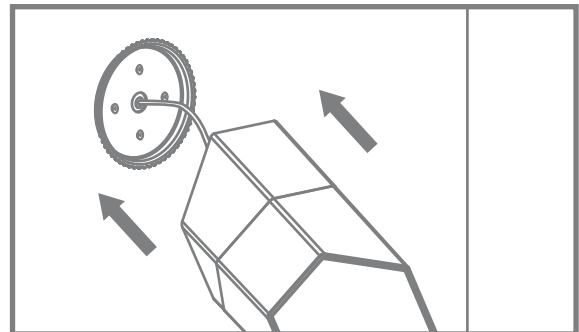
Step 5

Insert euroblock into rear of speaker.



Step 6

Snap speaker onto bracket.



Step 7

To aim speaker rotate enclosure or base to achieve desired angle.

