



# CS-C Series In-Ceiling Loudspeakers

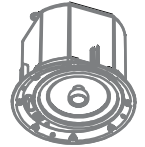
## CS-C6

6.5" IN-CEILING LOUDSPEAKER



## CS-C8

8" IN-CEILING LOUDSPEAKER



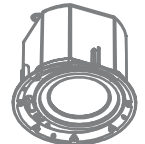
## CS-C5

5" IN-CEILING LOUDSPEAKER



## CS-CSUB8

8" IN-CEILING SUBWOOFER



## CS-C4

4" IN-CEILING LOUDSPEAKER



## CS-C3

3" IN-CEILING LOUDSPEAKER



# Installation Guide



**CAUTION - Installation**

Speaker must be installed by qualified speaker technician.



**CAUTION - Servicing**

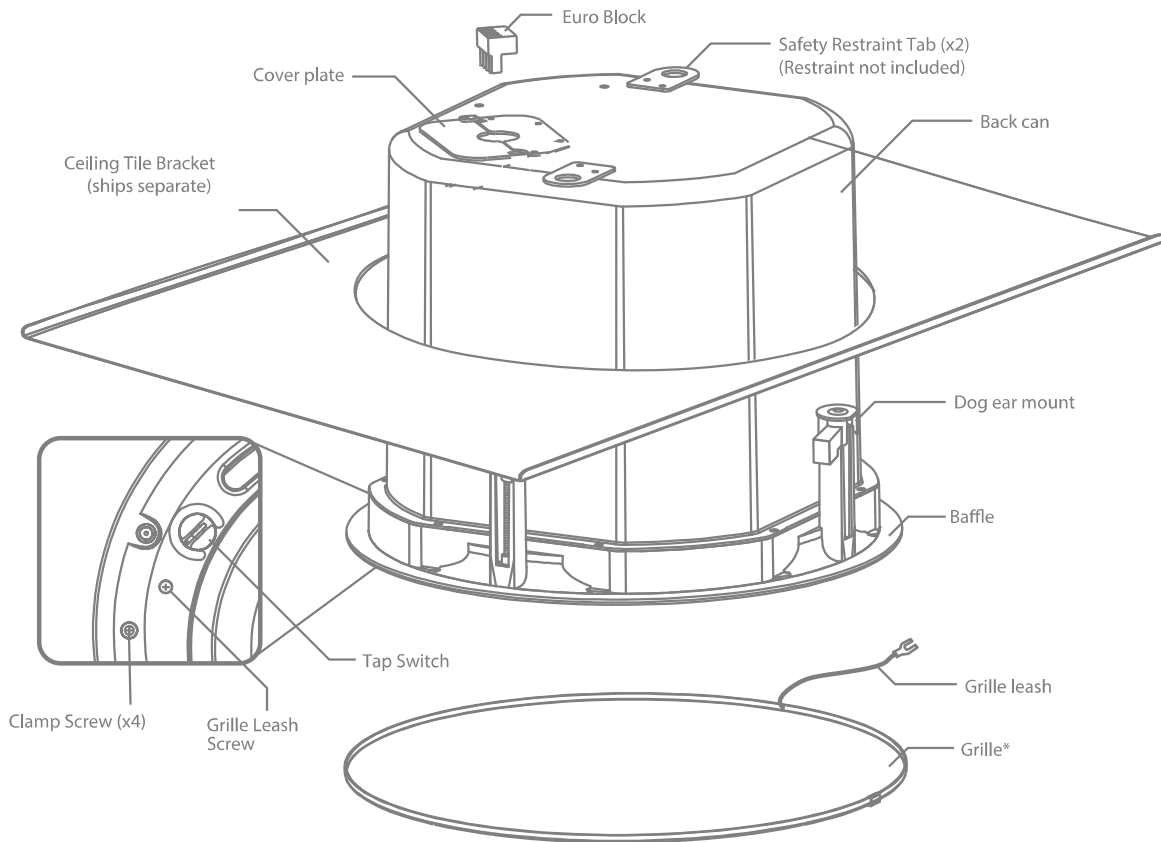
The unit contains no user-serviceable parts. Refer servicing to qualified personnel. Do not perform servicing unless you are qualified to do so.



**CAUTION - Tap Switch**

Before use check and set tap switch under grille to proper setting for your system.

## EXPLODED VIEW



\*See note on page 4 regarding alternative grille styles.

## TAP SETTINGS

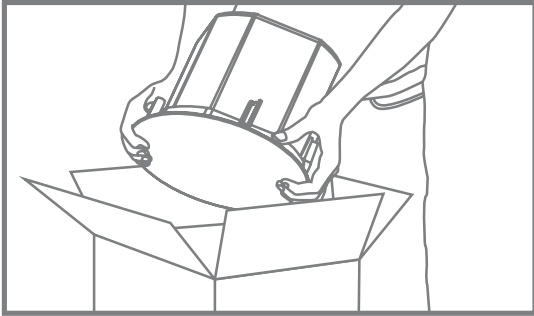
Tap	CS-CSUB8			CS-C8			CS-C6			CS-C5			CS-C4*			CS-C3		
	100V	70V	25V	100V	70V	25V	100V	70V	25V	100V	70V	25V	100V	70V	25V	100V	70V	25V
1	4 ohm			16 ohm			16 ohm			16 ohm			16 ohm			16 ohm		
2	X	100W	13W	X	64W	8W	X	32W	4W	X	20W	2.5W	X	20W	2.5W	X	16W	2W
3	100W	50W	7W	64W	32W	4W	32W	16W	2W	20W	10W	1.3W	20W	10W	1.3W	16W	8W	1W
4	50W	25W	3W	32W	16W	2W	16W	8W	1W	10W	5W	0.6W	10W	5W	0.7W	8W	4W	0.5W
5	25W	13W	1.5W	16W	8W	1W	8W	4W	0.5W	5W	2.5W	0.3W	5W	2.5W	0.4W	4W	2W	0.3W
6	13W	6W	0.8W	8W	4W	0.5W	4W	2W	0.3W	2.5W	1.3W	0.2W	2.5W	1.3W	0.2W	2W	1W	0.2W

\* CS-C4 tap settings only apply to Model CS-C4V. Note Model CS-C4H is low-impedance only (16 ohms).

# INSTALLATION

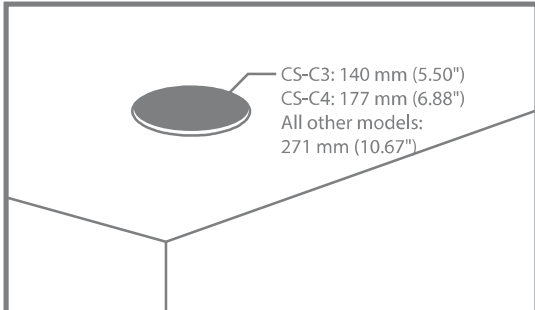
## Step 1

Remove speaker from box.



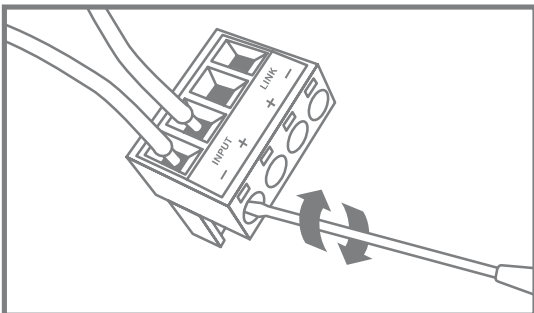
## Step 2

Mark and cut hole in ceiling or ceiling tile.  
Use included hole template.



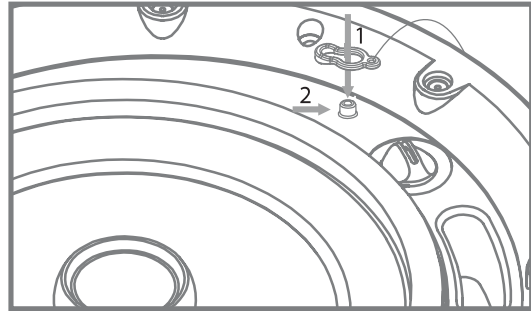
## Step 3

Locate euroblock in accessory bag and connect signal wire.  
For daisy-chaining use "LINK" output to run to next speaker.



## Step 4

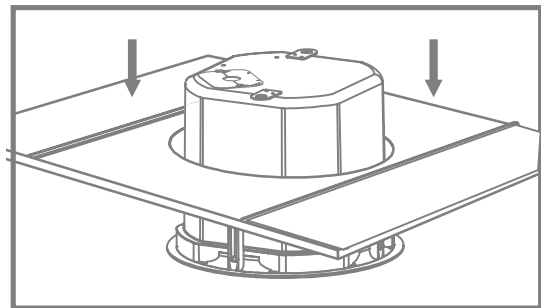
Remove grille and set tap switch to proper setting and attach grille leash to baffle by placing the large end of the clip over the snap fit post (1) then sliding the clip until small end snaps into place. Tap switch is preset to highest 100V position.



## Step 5 (Ceiling Tile Only)

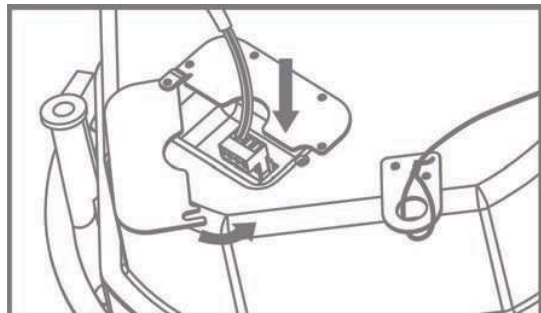
Place tile bridge on back of ceiling tile. Align holes and insert speaker in hole. Tighten dog ears. Do not overtighten.

(Tile bridge not available for C4.)



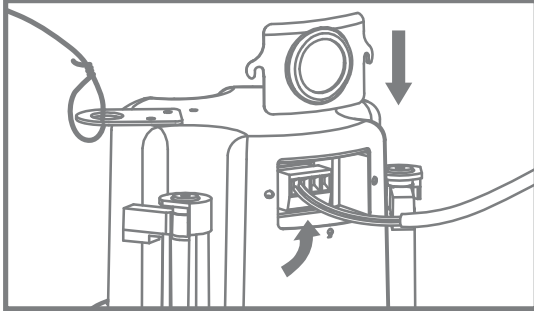
## Step 6

Insert euroblock into rear of back can. Attach safety restraint to rear of back can. Close and secure cover plate.



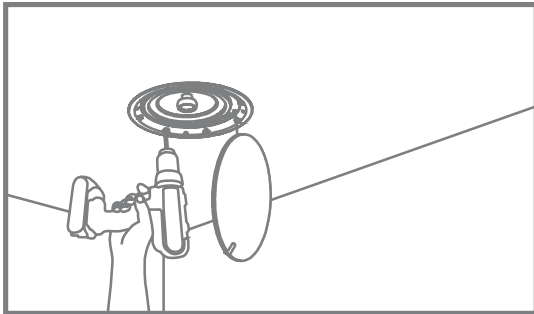
### Step 6.1 (CS-C3 and CS-C4 only)

Insert euroblock into rear of back can. Attach safety restraint to side of back can. Close and secure cover plate. Note that on model CS-C4H only, there is an additional rubber seal with a pre-cut "X" to allow cable access.



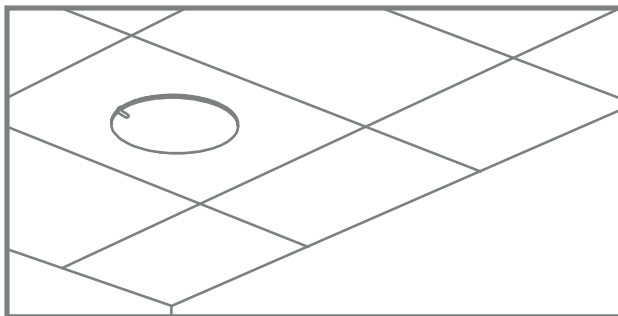
### Step 7 (Drywall)

Insert speaker into ceiling opening and tighten dog ear clamps, **do not over tighten.**



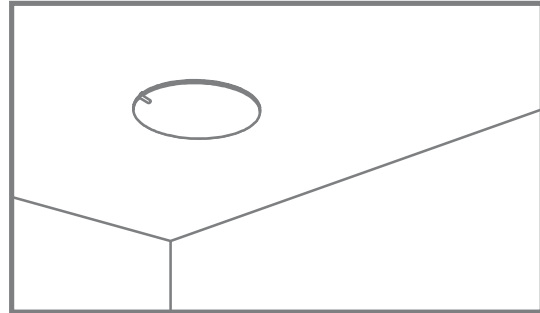
### Step 7.1 (Ceiling Tile Only)

Insert euroblock into rear of back can. Attach safety restraint to rear of back can. Close and secure cover plate, reattach grille to speaker. Insert speaker, tile and tile bridge into ceiling.



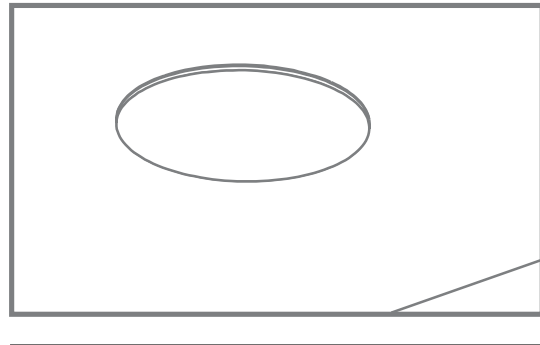
### Step 8

Check tap setting and replace grille.



### Step 9

Remove logo tab if desired.



### NOTE: ALTERNATIVE GRILLES

All CS-C models are supplied with a circular grille as shown in the above diagrams.

Optional square grilles are available for all models except CS-C4:

CS-8SQGRILLW (white) and CS-8SQGRILLB (black) are compatible with Models CS-C5, CS-C6, CS-C8 and CS-C8SUB

CS-C3SQGRILLW (white) and CS-C3SQGRILLB (black) are compatible with Models CS-3C

Optional hexagonal grilles are available for CS-3C only:

CS-C3HEXGRILLW (white) and CS-C3HEXGRILLB (black)

All alternative grilles feature the same system of magnetic attachment to the speaker as the standard circular grilles, and therefore there is no difference in installation procedure.