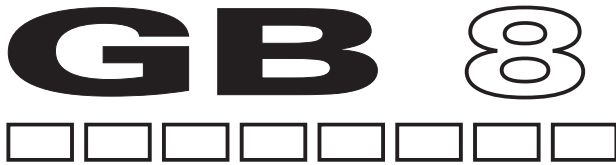

Technical Data



Contents

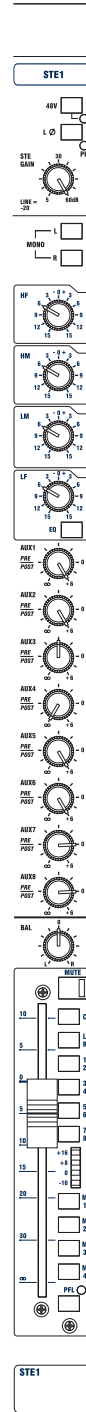
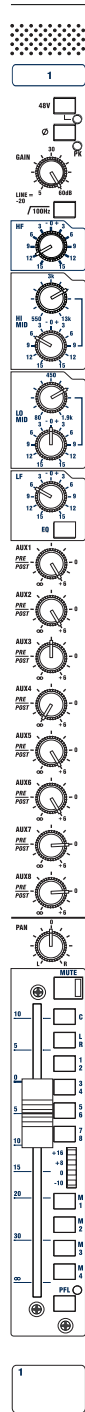
Introduction	1	Block Diagram	4/5
Modules	2	Specifications	6
Mono Input	2		
Stereo Input	2		
Master Section	3		

Introduction

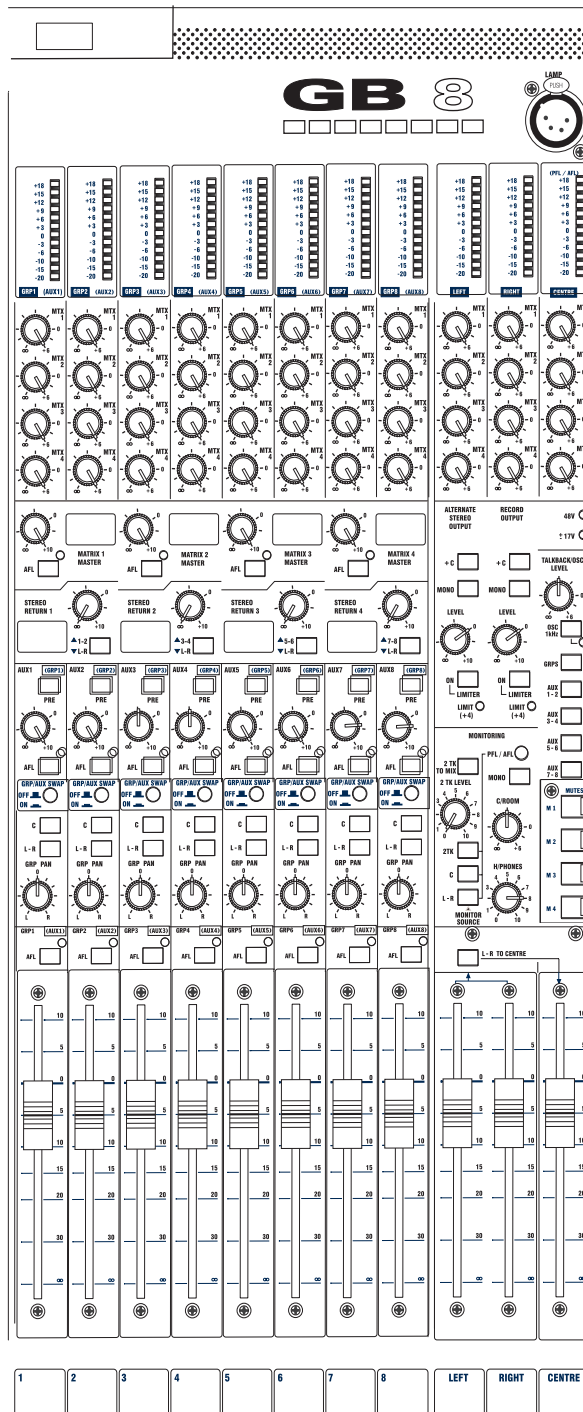
- Dual purpose console.
- 24, 32, 40 and 48 channel frame sizes
- Individually switched 48V phantom power on every mono input module.
- 4 Full-feature Stereo channels.
- 8 Aux sends (all switchable between pre/post fader operation).
- 8 Group sends (SWAP with all 8 Auxes).
- 4 Stereo returns.
- 4 Mute Groups.
- 11x4 Output Matrix.
- Limiter on Record Output and Alternative Stereo Output.
- GB30 mic pre-amp.
- 4-band GB30 EQ.
- 1kHz oscillator
- Meter Bridge with accurate VU meters for LEFT, RIGHT and CENTRE Outputs.
- Integral power supply, with an external power supply link option.
- All metal TRS jacks and Neutrik XLRs.
- Direct outputs on all mono input channels.

Mono Input

Stereo Input

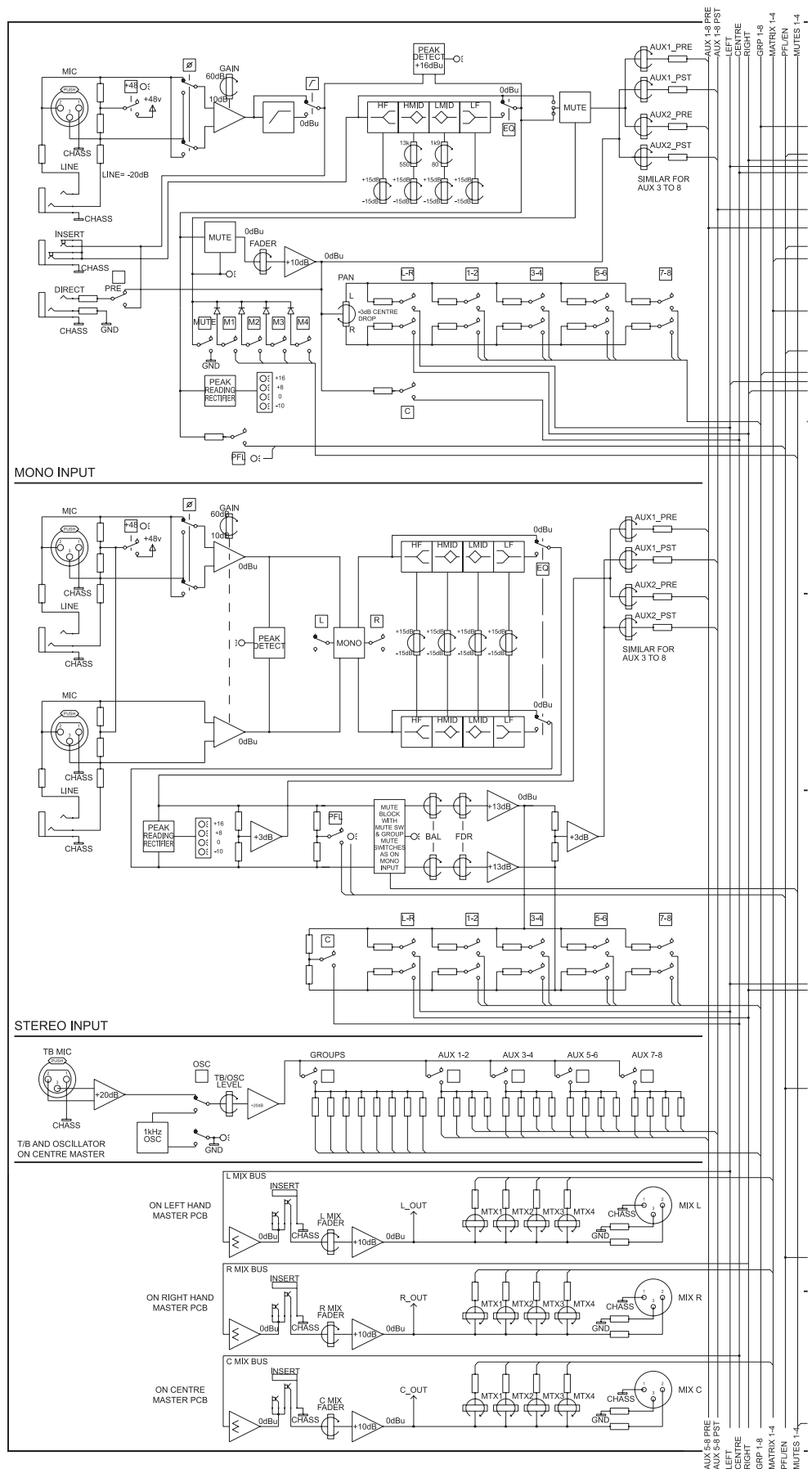


Master Section





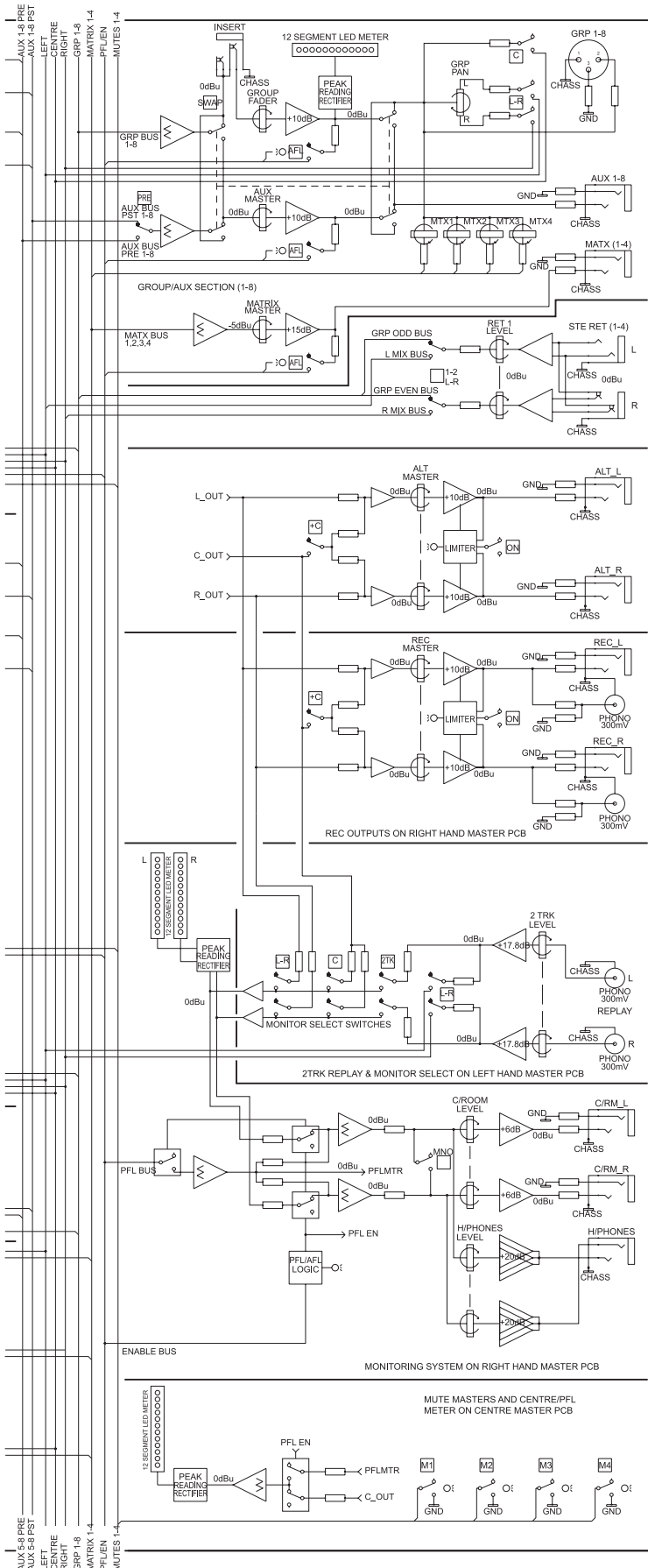
Block Diagram



GB 8



Technical Data





Technical Data

Specifications

Noise: Measured RMS, 22Hz to 22kHz Bandwidth

Mic E.I.N. @ unity gain, 150W source impedance	-128dBu
Mix Output, 40 inputs routed to mix	<-82dBu
Group Outputs	<-83dBu
Aux Outputs	<-80dBu
Matrix Outputs	<-89dBu

Crosstalk (@1kHz, typical)

Input Channel Mute	<-97dB
Input Fader cut-off	<-95dB
Pan isolation	<-77dB
Mix route isolation	<-97dB
Group route isolation	<-97dB
Adjacent channel crosstalk	<-99dB
Group to Mix	<-89dB
Aux Send pots offness (typical)	<-84dB
Matrix Send pots offness (typical)	<-84dB

Frequency Response

Mic/Line Input to any output, 20Hz - 20kHz	<1dB
--	------

THD + N

Mic sens. -30dBu, +20dBu at all outputs @1kHz	<0.006%
---	---------

CMRR

Typical @ 1kHz	80dB
----------------------	------

Input & Output Max Levels

Mono & Stereo Mic Inputs	+15dBu
Mono & Stereo Line Inputs	+30dBu
Stereo Returns & Insert Returns	+20dBu
Any output	+20dBu
Nominal Operating Level	0dBu
Headphone Power	2x250mW into 200Ω

Input & Output Impedances

Mic Inputs	2kΩ
Line Inputs and Stereo Returns	10kΩ
Mix, Group, Aux, Matrix & Direct outputs	150Ω
Insert Sends	75Ω
Insert Returns	5kΩ
Recommended Headphone Impedance	50 - 600Ω

SOUNDCRAFT, Harman International Industries Ltd., Cranborne House, Cranborne Road, Potters Bar, Herts., EN6 3JN U.K.
Tel: +44 (0) 1707 665000 Fax: +44 (0) 1707 660742 EMAIL: info@soundcraft.com

SOUNDCRAFT USA, Harman Pro North America, 8500 Balboa Blvd., Northridge, CA 91329, USA
Main tel: +1 818 920 3212, Main fax: +1 818 920 3208, Direct toll free: 888 251 8352
EMAIL: soundcraft-usa@harman.com

www.soundcraft.com