

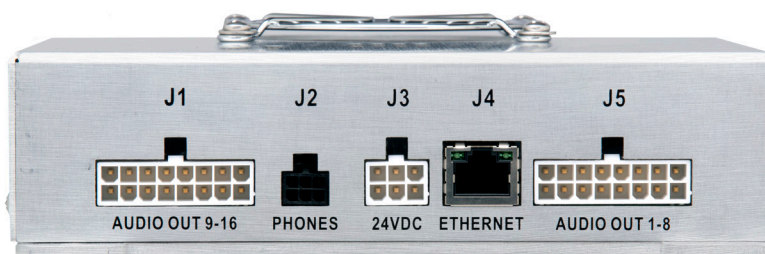


Attero Tech by QSC
Axon DTH1620

Dante™ / AES67 network amplifier

Features

- 16-ch, 20 W network amplifier designed for themed entertainment and other specialized audio applications
- Ruggedized and vibration tested for use in mobile attractions
- Dante/AES67 connectivity with remote control and monitoring
- Loudspeaker outputs and power inputs use Molex connectors optimized for high vibration environments
- Headphone output for local signal monitoring
- Software network commands include channel volume/mute, main volume/mute, amp status, amp temperature
- Available Q-SYS Extension
- Dante Domain Manager ready



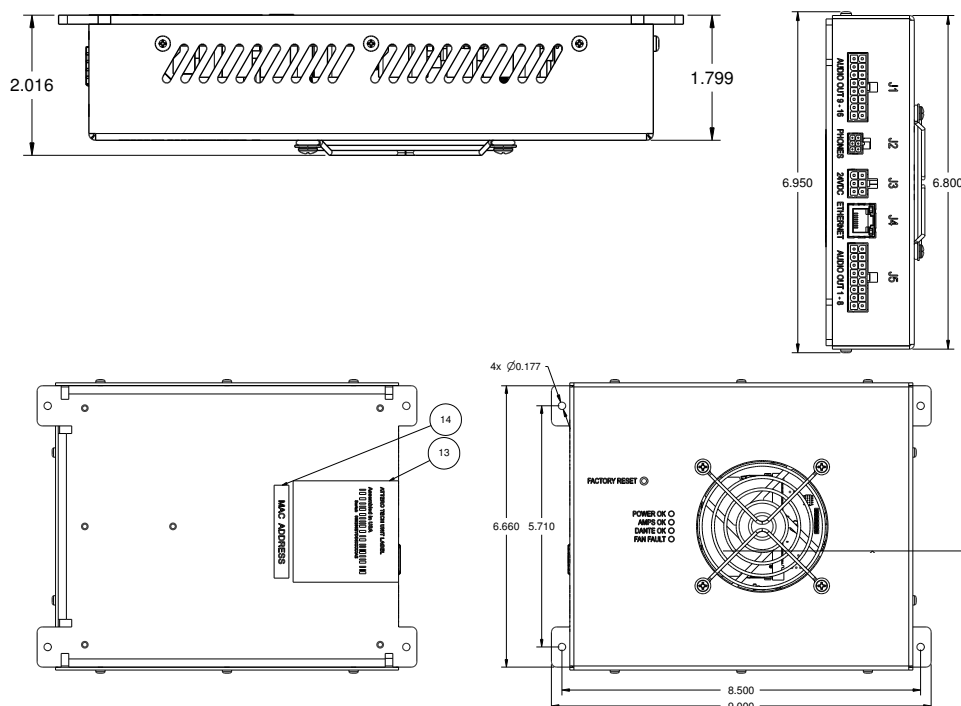
Applications: Themed Entertainment • Moving or Stationary Attractions • Museums • Immersive Theatre Venues

The Attero Tech by QSC DTH1620 is multi-channel, low-power (16-channel x 20 watts) Dante/AES67 network amplifier, designed for themed entertainment usage and other specialized audio applications, and optimized for integration into the Q-SYS Ecosystem.

Purpose built for themed entertainment and beyond – The Attero Tech by QSC DTH1620 Dante/AES67 network amplifier is designed to support high-channel, low power output audio applications, including individual theme park rides, attractions or parade floats. It features 16-channels at 20 watts per channel in a ruggedized and compact form factor, with the ability to support both traditional passive transducers and haptic transducers, enabling specialized audio applications beyond the theme park.

Q-SYS Ecosystem integration – Q-SYS drag-and-drop control programming simplifies the integration process, letting you deploy the DTH1620 Dante/AES67 network amplifier without complicated scripting. A Q-SYS Extension allows for control and monitoring of the amplifier via native Q-SYS TSC series touch screen controller (as of Q-SYS Designer Software v8.4, the Q-SYS Scripting Engine license is not required to deploy designs with Attero Tech by QSC devices).

Dimensions



Axon DTH1620 Details

Specifications

Audio

Frequency response

@ 1 W into 8 Ω	20 - 20 kHz, +0.5 dB, -1.5 dB
@ 20 W into 8 Ω	20 - 20 kHz, +0.5 dB, -1.5 dB
@ 1 W into 16 Ω	20 - 20 kHz, +1.0 dB, -0.5 dB
@ 10 W into 16 Ω	20 - 20 kHz, +1.0 dB, -0.5 dB

Signal-to-noise

20 W into 8 Ω (20 Hz - 20 kHz)	97 dB
1 W into 8 Ω (20 Hz - 20 kHz)	84 dB

DBFS

1 W into 8 Ω	-18.5 dBFS
20 W into 8 Ω	-5.5 dBFS
1 W into 16 Ω	-15.7 dBFS
10 W into 16 Ω	-5.6 dBFS

Output circuitry	Class D
------------------	---------

THD+N

1 W into 8 Ω @ 1 kHz	< 0.1%
20 W into 8 Ω @ 1 kHz	< 0.2%
1 W into 16 Ω @ 1 kHz	< 0.1 %
10 W into 16 Ω @ 1kHz	< 0.1%

Maximum digital input level	0 dBFS
-----------------------------	--------

Connectors & Control

Mic/line inputs	Molex 6-pin, +24 V DC
-----------------	-----------------------

Speaker outputs	Molex 16-pin
-----------------	--------------

Headphone/volume control	Molex 6-pin
--------------------------	-------------

Ethernet	RJ-45 with link and activity LED indicators
----------	---

Top panel indicators	Power OK, Amps OK, Dante OK, Fan Fault
----------------------	--

Operating mode	Low impedance 8 Ω / 16 Ω only
----------------	---

Amplifier control (network)	Control and Status via the network, see manual for API details
-----------------------------	--

Amplifier volume control	10k Ω linear potentiometer
--------------------------	-----------------------------------

Power

Power requirements	+24 V DC @ 3 A, all channels 1/8 power +24 V DC @ 17.5 A, all channels full power
--------------------	--

Cooling	Fan with thermal speed control
---------	--------------------------------

General

Dimensions	9 x 6.66 x 2.02 in (229 x 169 x 51 mm)
------------	--

Net Weight	2.4 lbs (1.1 kg)
------------	------------------

Shipping Weight	2.842 lbs (1.29 kg)
-----------------	---------------------

