

GSF6

6.5" Ground-Stake Loudspeaker



HIGHLIGHTS

The mid-size, weather-resistant **JBL GSF6** landscape loudspeaker provides superior fidelity and wide coverage in a range of outdoor commercial applications, with a custom two-way coaxial 6-inch driver system that delivers full-range, crystal-clear sound. (Extend system bass response with JBL GSB8 or GSB12 in-ground landscape subwoofers.) This versatile speaker features a 30-watt multi-tap transformer for use on 70V/100V distributed systems, and is switchable for 8-ohm direct operation.

Versatile mounting options include an included ground stake for in-ground installation and an L-bracket for secure mounting on either horizontal or vertical surfaces. A low-profile, unobtrusive speaker, the **GSF6** blends right into its surroundings, and is aimable for precise coverage via an adjustable hinge. Available in hunter green and tan finishes.

The elegant, discreet GSF6—winner of the prestigious RedDot international design award for industrial design excellence—is the perfect sound solution for diverse outdoor applications including shopping malls, theme parks, sports venues, hospitality venues, and any application calling for a stylish, robust, great-sounding landscape speaker system.

FEATURES

Transducers: 165 mm (6.5 in) woofer with polypropylene cone and 25 mm (1.0 in) titanium dome tweeter.

Frequency Range: 65 Hz–20 kHz

Power handling (at 8Ω setting): 50W continuous pink noise, 100W continuous program

IP56 rated against water and dust ingress

Multi-tap 30W transformer is switchable for 8Ω direct operation or use in 70V/100V distributed systems

Bottom drip hole provides drainage for drivers

Pairs well with JBL GSB8 and GSB12 in-ground landscape subwoofers

Aimable via adjustable hinge

Includes ground stake and L-bracket for surface mounting

Tap selector located on bottom of speaker, away from water incursion

UL1480A listed

Available in Hunter Green or Tan finish

www.jblpro.com

SPECIFICATIONS

SYSTEM	
Frequency Range (-10 dB):	65 Hz – 20 kHz
Frequency Response (±3 dB):	95 Hz - 20 kHz
Power Rating¹:	100 W Continuous Program (2 hrs) 50 W (200 W Peak), Continuous Pink Noise (2 hrs) 30 W (120 W Peak), Continuous Pink Noise (100 hrs)
Sensitivity²:	88 dB (ave. 2 kHz – 20 kHz)
Nominal Coverage Angle:	70° conical
Directivity (Q):	10.5 (with half-space, 2π, loading)
Directivity Index (DI):	10.2
Rated Maximum SPL³:	111 dB peak (105 dB continuous, 2 hr) @ 1m
Nominal Impedance:	8Ω (at 8Ω tap)
Minimum Impedance:	7.2Ω at 205Hz
Transformer Taps:	70V: 30 W, 15 W, 7.5 W 100V: 30W, 15 W
Insertion Loss:	<0.5 dB at any tap setting
Maximum Input Voltage:	18 V RMS (2 hrs), 36 V peak
Recommended Protective High-Pass:	65 Hz for 8Ω operation and for all tap settings, 24 dB/oct
TRANSDUCER	
HF Driver:	<ul style="list-style-type: none">• 165 mm (6.5 in) woofer, polypropylene cone 25 mm (1 in) voice coil on aluminum voice coil former• 25 mm (1.0 in) titanium dome, Neodymium magnet assembly, Kapton™ voice coil former
ENCLOSURE	
Enclosure Material:	Polycarbonate + ABS, UL94V-0 flammability rated
Grille:	Aluminum
Environmental:	IP-56 rating per IEC529 (dust protected and protected against strong jets of water). Exceeds MilSpec 810 for humidity, salt spray, temperature, & UV. Passes Mil-Std-202F for salt spray.
Agency Ratings:	UL1480A Speakers for Commercial and Professional Use, for outdoor wet locations; CSA C22.2 No. 205-12, Signal Equipment. Transformer UL Recognized per UL1876, ROHS compliant.
Terminals:	Bare wire with dielectric-gel-filled wire nuts (1 meter single jacketed cable 2 wires with 18 AWG)
Colors:	Hunter Green (RAL 6018), or Tan (RAL7004)
Dimension:	Cabinet 217mm height/diameter x 293mm depth (8.6 x 11.6 in)
Net Weight:	3.5 kg (7.7 lbs)
Included Accessories:	(1) Ground Stake Bracket; (1) L-Bracket
SKU Numbers:	JBL-GSF6-GN (green), JBL-GSF6-TN (tan)

¹ Continuous Pink Noise rating is IEC spectrum (45 Hz – 20 kHz), with 6 dB crest factor. Continuous program power is defined as 3 dB above the Continuous Pink Noise Rating. In 8 ohm mode.

² Half-space, 2π loading (in-ground)

³ 8 ohm mode, calculated from sensitivity and power handling, exclusive of power compression.

JBL continually engages in research related to product improvement. Some materials, production methods, and design refinements are introduced into existing products without notice as a routine expression of that philosophy. For this reason, any current JBL product may differ in some respect from its published description, but will always equal or exceed the original design specifications unless otherwise stated. JBL continually engages in research related to product improvement. Changes introduced into existing products without notice are an expression of that philosophy.

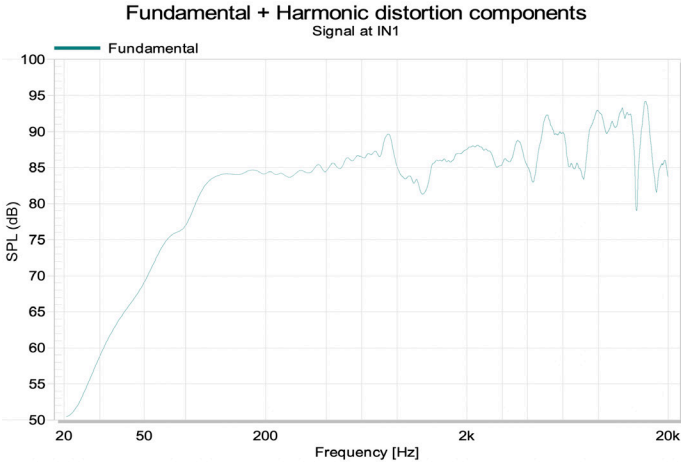
GSF6

6.5" Ground-Stake Loudspeaker



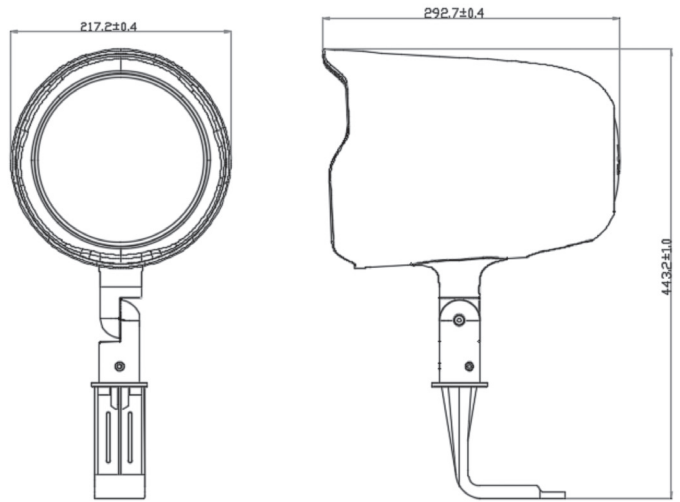
Frequency Response:

In half-space (2π , in-ground)

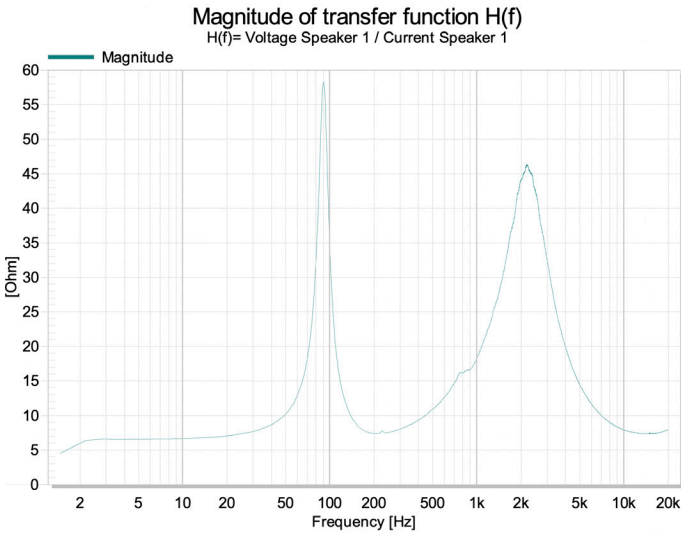


Dimensional Drawing:

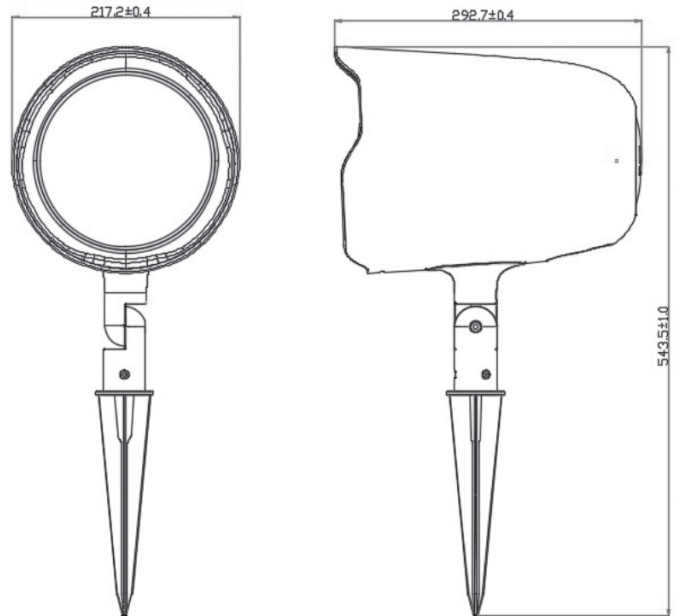
With included L-shaped bracket



Impedance:



With included ground stake



HARMAN Professional 8500 Balboa Blvd. Northridge, CA 91329 USA

© 2022 HARMAN International Industries, Incorporated. All rights reserved.
Features, specifications and appearance are subject to change without notice.

www.jblpro.com

SS-GSF6
Issued: 6/2022