

Professional Series

Key Features:

- ▶ Consistent 120° broadband pattern control for exceptional coverage.
- ▶ Coaxial design featuring:
 - Kevlar-reinforced 165 mm (6.5 in) woofer
 - 25 mm (1 in) compression driver.
- ▶ Extraordinary clarity for speech and vocals with extended frequency response for music.
- ▶ 150 Watts Power Handling.
- ▶ Advanced high-slope crossover network for constant coverage and smooth, natural midrange.
- ▶ Integrated back can with clean, contemporary grille.

Applications:

The JBL Professional Control 226C/T is a premium in-ceiling professional loudspeaker designed for applications requiring superior quality sound in ceiling-mount applications. Delivering exceptional next-generation performance in a medium format coaxial point source design, the Control 226C/T incorporates breakthrough performance features such as best-in-class pattern control to provide a consistent sound throughout the listening area. Especially wide coverage allows fewer speakers to cover the space, reducing both the material and labor cost for the installation.

The Control 226C/T features a 165 mm (6.5 in) Kevlar-reinforced low frequency driver coupled with a 25 mm (1 in) exit titanium compression driver for outstanding reliability and performance. The system is complete with a pre-attached back can and is designed for years of maintenance free use.

Easy to install, the Control 226C/T features JBL Professional's proven C-Ring with Tile Rail suspension system. Installation can be accomplished from beneath the ceiling structure for instances when access above the ceiling tile is not possible. Additionally, the removable multi-pin locking connector, with secure screw-down terminals, allows for pre-wiring the input wires for easy clip-on convenience during installation.

A top quality, low saturation 68 Watt multi-tap transformer comes pre-attached on the Control 226C/T enabling the system to be used on 70V or 100V distributed speaker lines. The system can be used in either 8 ohm (low impedance) or transformer mode by selecting the desired function via the baffle mounted impedance switch.

The clean, contemporary look of the Control 226C/T's grille is designed to suit a variety of settings, offering a simple, elegant appearance that fits into a wide variety of décors.



Preliminary Specifications:

System:	Frequency Range (-10 dB) ¹ :	47 Hz - 19 kHz
	Frequency Response (±3 dB) ¹ :	74 Hz - 17 kHz
	Coverage Pattern ² :	120° conical, broadband
	Directivity Factor (Q):	6 (1 k - 16 kHz)
	Directivity Index (DI):	7.9 dB (1 k - 16 kHz)
	Long-Term System Power Rating, IEC ³ :	150 W (600 W peak), 2 hrs
		100 W (400 W peak), 100 hrs
	Sensitivity (2.83V @ 1 m):	90 dB ⁴ measured half-space
		95 dB ⁵ computed for competitive comparison
	Maximum SPL ⁶ :	112 dB continuous average (118 dB peak)
	Crossover Network:	2.2 kHz, 3rd order (18 dB/oct) high-pass plus conjugate to HF, 3rd order low-pass to LF.
	Nominal Impedance (bypass mode):	8 ohms
	Transformer Taps:	70V: 68W, 34W, 17W, 8.5W
		100V: 68W, 34W, 17W
Transducers:	Low Frequency Driver:	165 mm (6.5 in) Kevlar reinforced cone
	High Frequency Driver:	25 mm (1 in) exit compression driver
Enclosure:	Input Connectors:	Two removable locking 2-pin connector with screw-down terminals. Max wire 12 AWG (2.5 mm)
		1) + in, 2) - in, A) + loop thru, B) - loop thru
	Tap Settings:	8 ohm
		8.5W @ 70V, 17W @ 100V
		17W @ 70V, 34W @ 100V
		34W @ 70V, 68W @ 100V
		68W @ 70V, n/c @ 100V
	Safety Agency Rating:	Suitable for use in air handling spaces per UL1480, UL2043, NFPA90 & NFPA 70. S7232/UL Listed, Signaling Speaker. Transformer UL registered per UL1876. In accordance with IEC60849/EN60849.
	Dimensions (Diameter x Depth):	Ø 330 mm (13 in) round baffle x depth from back of baffle of 246 mm (9.7 in)
	Cutout Size:	Ø 307 mm (12.1 in)
	Net Weight:	9.1 kg (20.0 lb)
	Shipping Weight (in pairs):	23.9 kg (52.5 lb)
	Included Accessories:	Press-in Grille, C-Ring, Tile Rails.
	Optional Accessories:	MTC-19NC New Construction Bracket MTC-19MR Mud Ring Construction Bracket

¹In half space (in ceiling)

²Average 1 kHz to 16 kHz

³IEC standard, full bandwidth pink noise with 6 dB crest factor.

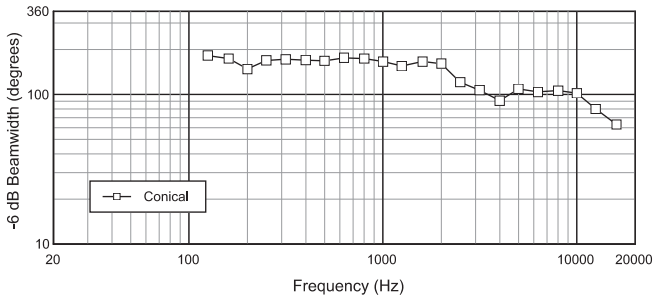
⁴Measured in half space (in ceiling), ave 100 Hz - 10 kHz

⁵Measured in full space with 6 dB added for half-space calculation. Method used by some European manufacturers, listed for comparison purposes.

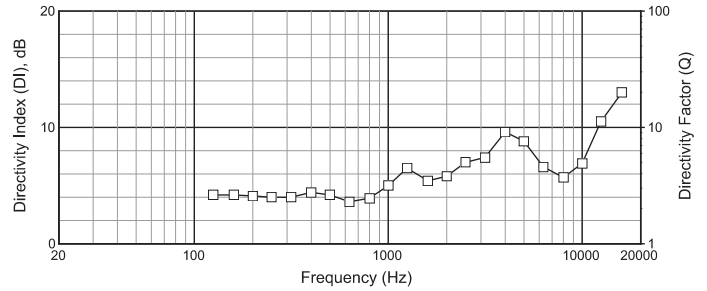
⁶Calculated based on power rating and measured half-space sensitivity, exclusive of power compression.

▶ Control® 226C/T 6.5" Coaxial Ceiling Loudspeaker

Beamwidth:

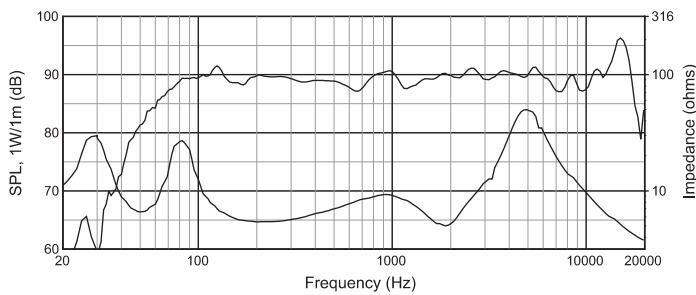


Directivity Index:

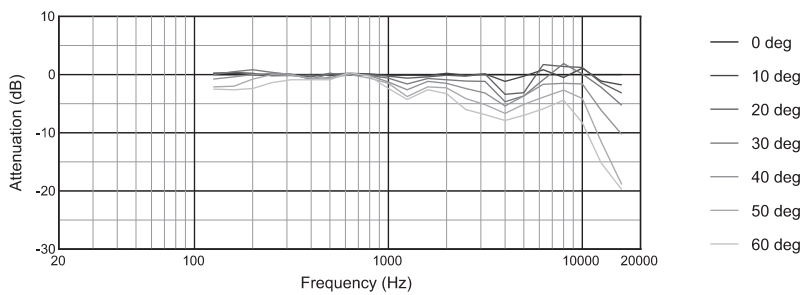


Frequency Response:

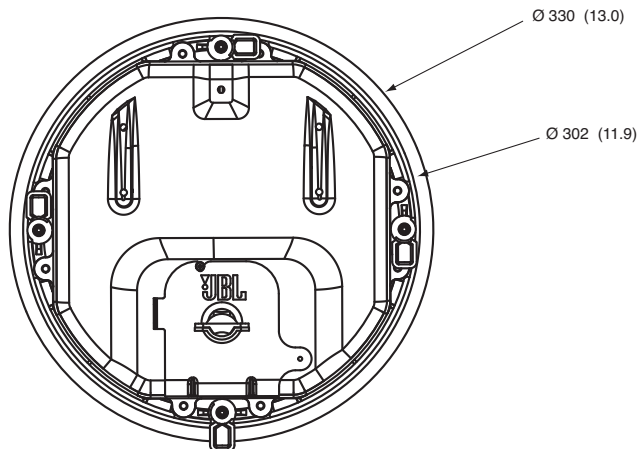
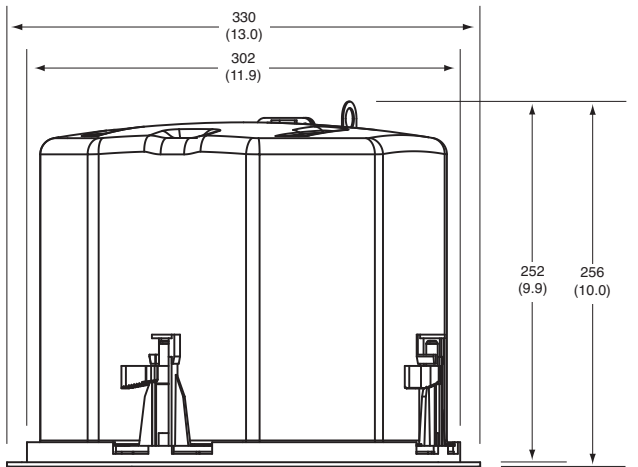
Half-space (2π , mounted in ceiling) in 0.5 cu ft Backbox



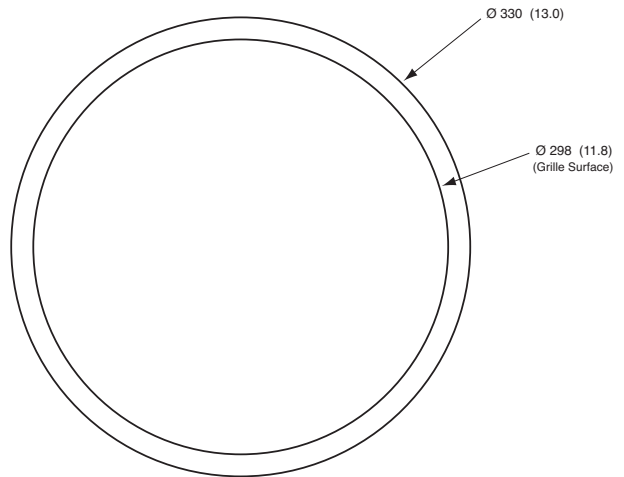
Horizontal Off-Axis Frequency Response:



Dimensions:



All measurements obtained without signal processing. Graphs are from unaltered measurement data.



Dimensions in mm (in)



JBL Professional
8500 Balboa Boulevard, P.O. Box 2200
Northridge, California 91329 U.S.A.

■ A Harman International Company
© Copyright 2010 JBL Professional
www.jblpro.com

SS C226C/T
CRP
03/10