

POWER AMPLIFIER

**PX10/PX8**  
**PX5/PX3**

Technical Specifications

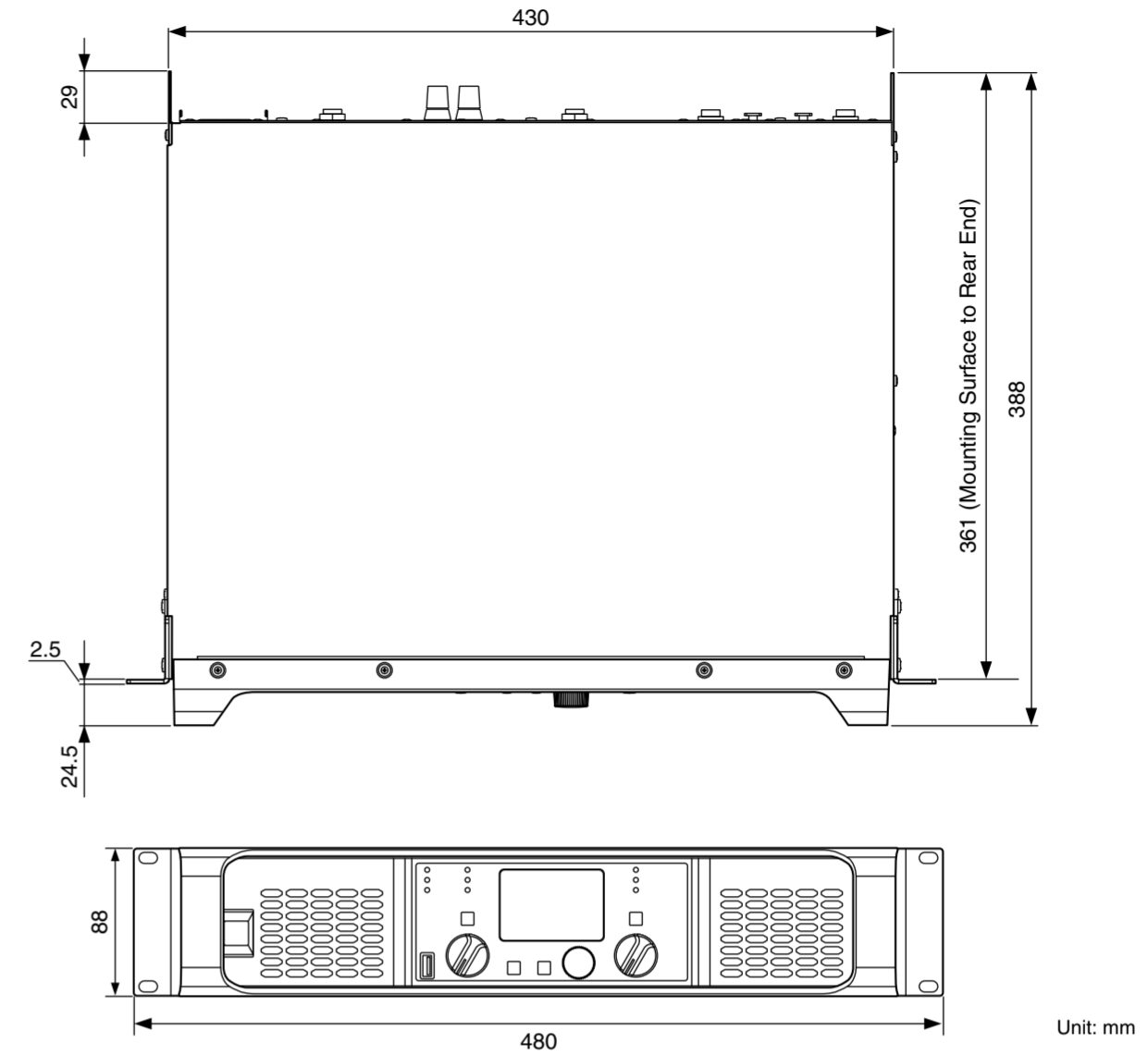
Specifications

	PX10	PX8	PX5	PX3
<b>Output Power</b>	<b>120 V 60 Hz, 220 V~240 V 50 Hz/60 Hz</b>			
1 kHz, non-clip, 20 msec burst, both channels driven	500W × 2	400W × 2	250W × 2	150W × 2
12Ω	660W × 2	530W × 2	330W × 2	200W × 2
8Ω	1000 W × 2	800 W × 2	500 W × 2	300 W × 2
4Ω	1200 W × 2	1050 W × 2	800 W × 2	500 W × 2
2Ω	700 W × 2	600 W × 2	500 W × 2	300 W × 2
1 kHz, non-clip, 20 msec burst	—	—	400W × 1	300W × 1
12Ω/Power Boost Mode	—	—	530W × 1	400W × 1
8Ω/Power Boost mode	—	—	800 W × 1	600 W × 1
4Ω/Power Boost mode	—	—	1400 W × 1	1000 W × 1
<b>Output Power</b>	<b>100 V 50 Hz/60 Hz</b>			
1 kHz, non-clip, 20 msec burst, both channels driven	500W × 2	400W × 2	250W × 2	150W × 2
12Ω	660W × 2	530W × 2	330W × 2	200W × 2
8Ω	1000 W × 2	800 W × 2	500 W × 2	300 W × 2
4Ω	1200 W × 2	1050 W × 2	800 W × 2	500 W × 2
2Ω	700 W × 2	600 W × 2	500 W × 2	300 W × 2
1 kHz, non-clip, 20 msec burst	—	—	400W × 1	300W × 1
12Ω/Power Boost Mode	—	—	530W × 1	400W × 1
8Ω/Power Boost mode	—	—	800 W × 1	600 W × 1
4Ω/Power Boost mode	—	—	1200 W × 1	1000 W × 1
<b>Amplifier Type (Output Circuitry)</b>	Class D, balanced output circuit (BTL)			
<b>THD+N</b>	0.1 %			
1 kHz, 10 W	0.1 %			
1 kHz, half power	0.3 %			
<b>Frequency Response</b>	±1.0 dB			
1 W, 8Ω, 20 Hz to 20 kHz	±1.0 dB			
<b>Crosstalk</b>	≤ -60 dB			
Half power, 8Ω, 1 kHz, vol. max., input 150Ω shunt	≤ -60 dB			
<b>S/N Ratio</b>	101 dB	101 dB	100 dB	100 dB
A-weighted, 8Ω, gain setting = +14 dBu	101 dB	101 dB	100 dB	100 dB
<b>Voltage Gain/Sensitivity</b>				
8Ω, Volume max	Gain setting: 32 dB	32.0 dB/+9.3 dBu	32.0 dB/+8.3 dBu	32.0 dB/+6.3 dBu
	Gain setting: 26 dB	26.0 dB/+15.3 dBu	26.0 dB/+14.3 dBu	26.0 dB/+10.1 dBu
	Gain setting: +4 dBu	37.3 dB/+4 dBu	36.3 dB/+4 dBu	34.3 dB/+4 dBu
	Gain setting: +14 dBu	27.3 dB/+14 dBu	26.3 dB/+14 dBu	24.3 dB/+14 dBu
8Ω, Volume max, Power Boost mode	Gain setting: 32 dB	—	34.0 dB/+6.3 dBu	35.0 dB/+4.1 dBu
	Gain setting: 26 dB	—	28.0 dB/+12.3 dBu	29.0 dB/+10.1 dBu
	Gain setting: +4 dBu	—	36.3 dB/+4 dBu	35.1 dB/+4 dBu
	Gain setting: +14 dBu	—	26.3 dB/+14 dBu	25.1 dB/+14 dBu
<b>Maximum Input Voltage</b>	+24 dBu			
<b>Input Impedance</b>	20 kΩ (Balanced), 10 kΩ (Unbalanced)			
<b>Signal Processing</b>	Input summing D-CONTOUR: FOH/MAIN, MONITOR, OFF Delay: 0~74msec HPF/LPF: cutoff frequency 20Hz~20kHz with polarity control Speaker processor: 6 band PEQ + limiter + delay			
<b>User Amplifier Preset</b>	8 user amplifier presets			
<b>Factory Speaker Preset</b>	Speaker presets for Yamaha passive speakers			
<b>Connectors</b>	Analog input	XLR-3-31 × 2, 1/4 PHONE(TRS) × 2		
	Speakers	Neutrik speakON NL4 × 2, Binding post × 2 pairs, 1/4" PHONE(TS) × 2		
	AC IN	AC inlet × 1 with AC cord clamp		
	USB	USB 2.0 Standard-A Connector (Female) for data save/load (amp settings, speaker preset, log) and firmware update with USB memory		
<b>AC Power Requirement</b>	Depending on area of purchase; 100 V, 50 Hz/60 Hz, 120 V 60 Hz, 220 V~240 V 50 Hz/60 Hz *1			
<b>Power Consumption</b>	1/8 MAX power, 4Ω, pink noise at all channels	310 W	280 W	230 W
	Idle, 4Ω	60 W	60 W	55 W
<b>Operating Temperature</b>	0°C to +40°C			
<b>Storage Temperature</b>	-20°C to +60°C			
<b>Dimensions (W × H × D)</b>	480 × 88 × 388 mm (18.90 × 3.46 × 15.28 inch)			
<b>Net Weight</b>	7.4 kg (16.31 lbs)	7.2 kg (15.87 lbs)	6.9 kg (15.21 lbs)	6.9 kg (15.21 lbs)

\*1 Device operation has been confirmed within +/- 10% of the rated power supply voltage.

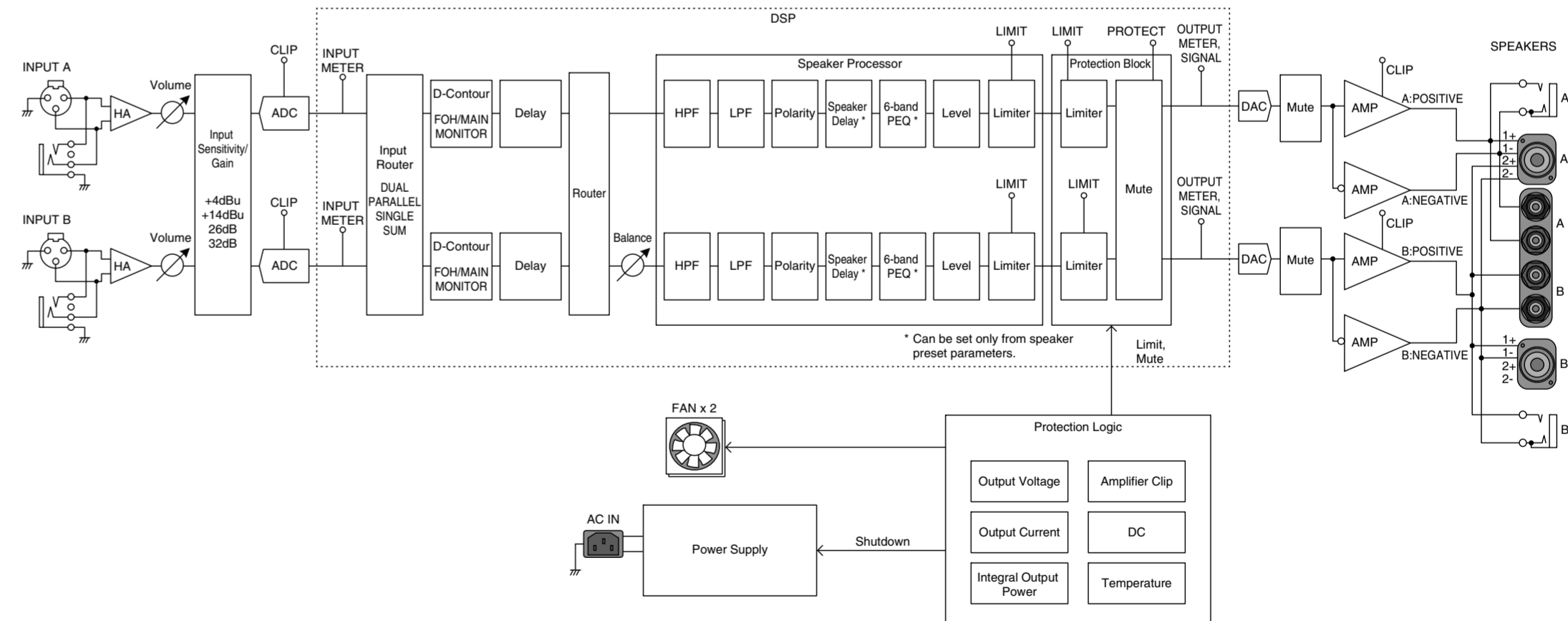
\* The contents of this manual apply to the latest specifications as of the printing date. To obtain the latest manual, access the Yamaha website then download the manual file.

Dimensions



Unit: mm

Block Diagram



## Current Draw

		Current Draw (A) @100V	Watt (W)			Thermal Dissipation	
			Power Consumption (In)	Power Consumption (out)	Watts Dissipated	Btu/h	kcal/h
Idle		0.8	57	0	57	195	49
1/8 out	8Ω/ch	2.6	213	125	88	300	76
	4Ω/ch	3.1	261	150	111	379	95
1/3 out	8Ω/ch	5.6	472	333	139	474	120
	4Ω/ch	7.2	608	400	208	710	179

		Current Draw (A) @120V	Watt (W)			Thermal Dissipation	
			Power Consumption (In)	Power Consumption (out)	Watts Dissipated	Btu/h	kcal/h
Idle		0.7	60	0	60	205	52
1/8 out	8Ω/ch	2.2	213	125	88	300	76
	4Ω/ch	2.7	263	150	113	386	97
1/3 out	8Ω/ch	4.6	466	333	133	454	114
	4Ω/ch	5.9	597	400	197	672	169

		Current Draw (A) @230V	Watt (W)			Thermal Dissipation	
			Power Consumption (In)	Power Consumption (out)	Watts Dissipated	Btu/h	kcal/h
Idle		0.5	62	0	62	212	53
1/8 out	8Ω/ch	1.4	219	125	94	321	81
	4Ω/ch	1.6	271	150	121	413	104
1/3 out	8Ω/ch	2.7	471	333	138	471	119
	4Ω/ch	3.3	602	400	202	689	174

### ● PX8

		Current Draw (A) @100V	Watt (W)			Thermal Dissipation	
			Power Consumption (In)	Power Consumption (out)	Watts Dissipated	Btu/h	kcal/h
Idle		0.8	57	0	57	195	49
1/8 out	8Ω/ch	2.2	178	100	78	266	67
	4Ω/ch	2.9	237	131	106	362	91
1/3 out	8Ω/ch	4.6	386	267	119	406	102
	4Ω/ch	6.4	543	350	193	659	166

		Current Draw (A) @120V	Watt (W)			Thermal Dissipation	
			Power Consumption (In)	Power Consumption (out)	Watts Dissipated	Btu/h	kcal/h
Idle		0.7	60	0	60	205	52
1/8 out	8Ω/ch	1.9	182	100	82	280	71
	4Ω/ch	2.5	237	131	106	362	91
1/3 out	8Ω/ch	3.8	385	267	118	403	101
	4Ω/ch	5.4	542	350	192	655	165

		Current Draw (A) @230V	Watt (W)			Thermal Dissipation	
			Power Consumption (In)	Power Consumption (out)	Watts Dissipated	Btu/h	kcal/h
Idle		0.5	62	0	62	212	53
1/8 out	8Ω/ch	1.2	184	100	84	287	72
	4Ω/ch	1.5	242	131	111	379	95
1/3 out	8Ω/ch	2.2	385	267	118	403	101
	4Ω/ch	3.0	544	350	194	662	167

		Current Draw (A) @100V	Watt (W)			Thermal Dissipation	
			Power Consumption (In)	Power Consumption (out)	Watts Dissipated	Btu/h	kcal/h
Idle		0.8	46	0	46	157	40
1/8 out	8Ω/ch	1.9	122	63	59	201	51
	4Ω/ch	2.7	189	100	89	304	77
1/3 out	8Ω/ch	3.6	253	167	86	293	74
	4Ω/ch	5.6	424	267	157	536	135

		Current Draw (A) @120V	Watt (W)			Thermal Dissipation	
			Power Consumption (In)	Power Consumption (out)	Watts Dissipated	Btu/h	kcal/h
Idle		0.8	54	0	54	184	46
1/8 out	8Ω/ch	1.7	130	63	67	229	58
	4Ω/ch	2.4	196	100	96	328	83
1/3 out	8Ω/ch	3.1	259	167	92	314	79
	4Ω/ch	4.8	428	267	161	549	138

		Current Draw (A) @230V	Watt (W)			Thermal Dissipation	
			Power Consumption (In)	Power Consumption (out)	Watts Dissipated	Btu/h	kcal/h
Idle		0.5	57	0	57	195	49
1/8 out	8Ω/ch	1.0	130	63	67	229	58
	4Ω/ch	1.4	197	100	97	331	83
1/3 out	8Ω/ch	1.9	259	167	92	314	79
	4Ω/ch	2.9	434	267	167	570	144

### ● PX3

		Current Draw (A) @100V	Watt (W)			Thermal Dissipation	
			Power Consumption (In)	Power Consumption (out)	Watts Dissipated	Btu/h	kcal/h
Idle		0.8	46	0	46	157	40
1/8 out	8Ω/ch	1.5	94	38	56	191	48
	4Ω/ch	2.0	137	63	74	253	64
1/3 out	8Ω/ch	2.6	174	100	74	253	64
	4Ω/ch	3.9	285	167	118	403	101

		Current Draw (A) @120V	Watt (W)			Thermal Dissipation	
			Power Consumption (In)	Power Consumption (out)	Watts Dissipated	Btu/h	kcal/h
Idle		0.8	54	0	54	184	46
1/8 out	8Ω/ch	1.3	100	38	62	212	53
	4Ω/ch	1.8	140	63	77	263	66
1/3 out	8Ω/ch	2.3	183	100	83	283	71
	4Ω/ch	3.4	291	167	124	423	107

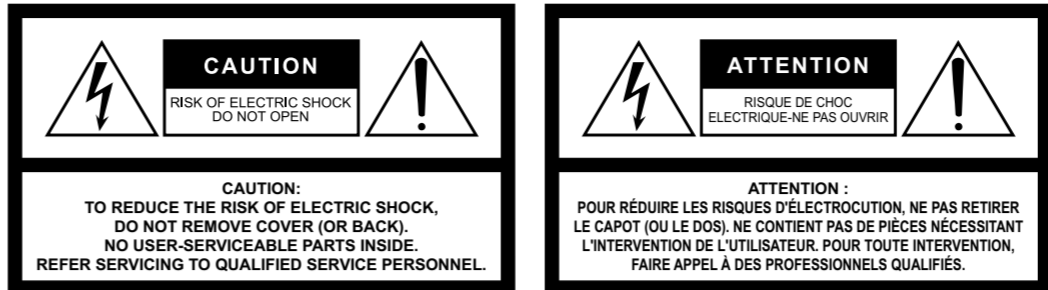
		Current Draw (A) @230V	Watt (W)			Thermal Dissipation	
			Power Consumption (In)	Power Consumption (out)	Watts Dissipated	Btu/h	kcal/h
Idle		0.5	57	0	57	195	49
1/8 out	8Ω/ch	0.8	101	38	63	215	54
	4Ω/ch	1.1	142	63	79	270	68
1/3 out	8Ω/ch	1.4	181	100	81	276	70
	4Ω/ch	2.1	293	167	126	430	108

Test signal: Pink noise, bandwidth limited from 22Hz to 22kHz
1 Btu = 1,055.06 J = 0.252 kcal
(W) × 0.86 = kcal

		Current Draw (A) @100V	Watt (W)			Thermal Dissipation	
			Power Consumption (In)	Power Consumption (out)	Watts Dissipated	Btu/h	kcal/h
Idle		0.8	46	0	46	157	40
1/8 out	8Ω/ch	1.9	122	63	59	201	51
	4Ω/ch	2.7	189	100	89	304	77
1/3 out	8Ω/ch	3.6	253	167	86	293	74
	4Ω/ch	5.6	424	267	157	536	135

		Current Draw (A) @100V	Watt (W)			Thermal Dissipation	
			Power Consumption (In)	Power Consumption (out)	Watts Dissipated	Btu/h	kcal/h
Idle		0.8	46	0	46	157	40
1/8 out	8Ω/ch	1.9	122	63	59	201	51
	4Ω/ch	2.7	189	100	89	304	77
1/3 out	8Ω/ch	3.6	253	167	86	293	74
	4Ω/ch	5.6	424	267	157	536	135

		Current Draw (A) @100V	Watt (W)			Thermal Dissipation	
			Power Consumption (In)	Power Consumption (out)	Watts Dissipated	Btu/h	kcal/h
Idle		0.8	46	0	46	157	40
1/8 out	8Ω/ch	1.9	122	63	59	201	51
	4Ω/ch	2.7	189	100	89	304	77
1/3 out	8Ω/ch	3.6	253	167	86	293	74
	4Ω/ch	5.6	424	267	157	536	135



The above warning is located on the top of the unit.

L'avertissement ci-dessus est situé sur le dessus de l'unité.

# IMPORTANT SAFETY INSTRUCTIONS

- Read these instructions.
- Keep these instructions.
- Heed all warnings.
- Follow all instructions.
- Do not use this apparatus near water.
- Clean only with dry cloth.
- Do not block any ventilation openings. Install in accordance with the manufacturer’s instructions.
- Do not install near any heat sources such as radiators, heat registers, stoves, or other apparatus (including amplifiers) that produce heat.
- Do not defeat the safety purpose of the polarized or grounding-type plug. A polarized plug has two blades with one wider than the other. A grounding type plug has two blades and a third grounding prong. The wide blade or the third prong are provided for your safety. If the provided plug does not fit into your outlet, consult an electrician for replacement of the obsolete outlet.
- Protect the power cord from being walked on or pinched particularly at plugs, convenience receptacles, and the point where they exit from the apparatus.
- Only use attachments/accessories specified by the manufacturer.
- Use only with the cart, stand, tripod, bracket, or table specified by the manufacturer, or sold with the apparatus. When a cart is used, use caution when moving the cart/apparatus combination to avoid injury from tip-over.
- Unplug this apparatus during lightning storms or when unused for long periods of time.
- Refer all servicing to qualified service personnel. Servicing is required when the apparatus has been damaged in any way, such as power-supply cord or plug is damaged, liquid has been spilled or objects have fallen into the apparatus, the apparatus has been exposed to rain or moisture, does not operate normally, or has been dropped.

		Current Draw (A) @100V	Watt (W)			Thermal Dissipation	
			Power Consumption (In)	Power Consumption (out)	Watts Dissipated	Btu/h	kcal/h
Idle		0.8	46	0	46	157	40
1/8 out	8Ω/ch	1.5	94	38	56	191	48
	4Ω/ch	2.0	137	63	74	253	64
1/3 out	8Ω/ch	2.6	174	100	74	253	64
	4Ω/ch	3.9	285	167	118	403	101

		Current Draw (A) @100V	Watt (W)			Thermal Dissipation	
			Power Consumption (In)	Power Consumption (out)	Watts Dissipated	Btu/h	kcal/h
Idle		0.8	46	0	46	157	40
1/8 out	8Ω/ch	1.5	94	38	56	191	48
	4Ω/ch	2.0	137	63	74	253	64
1/3 out	8Ω/ch	2.6	174	100	74	253	64
	4Ω/ch	3.9	285	167	118	403	101

## Important Notice: Guarantee Information for customers in European Economic Area (EEA) and Switzerland

Important Notice: Guarantee Information for customers in EEA* and Switzerland		English
For detailed guarantee information about this Yamaha product, and Pan-EEA* and Switzerland warranty service, please either visit the website address below (Printable file is available at our website) or contact the Yamaha representative office for your country. <p>* EEA: European Economic Area</p>		
Wichtiger Hinweis: Garantie-Information für Kunden in der EWR* und der Schweiz		Deutsch
Für nähere Garantie-Information über dieses Produkt von Yamaha, sowie über den Pan-EWR*- und Schweizer Garantieservice, besuchen Sie bitte entweder die folgend angegebene Internetadresse (eine druckfähige Version befindet sich auch auf unserer Webseite), oder wenden Sie sich an den für Ihr Land zuständigen Yamaha-Vertrieb. <p>*EWR: Europäischer Wirtschaftsraum</p>		
Remarque importante: informations de garantie pour les clients de l'EEE et la Suisse		Français
Pour des informations plus détaillées sur la garantie de ce produit Yamaha et sur le service de garantie applicable dans l'ensemble de l'EEE ainsi qu'en Suisse, consultez notre site Web à l'adresse ci-dessous (le fichier imprimable est disponible sur notre site Web) ou contactez directement Yamaha dans votre pays de résidence. <p>* EEE<span> </span>: Espace Economique Européen</p>		
Belangrijke mededeling: Garantie-informatie voor klanten in de EER* en Zwitserland		Nederlands
Voor gedetailleerde garantie-informatie over dit Yamaha-product en de garantieservice in heel de EER* en Zwitserland, gaat u naar de onderstaande website (u vind een afdrukbare bestand op onze website) of neemt u contact op met de vertegenwoordiging van Yamaha in uw land. <p>* EER: Europese Economische Ruimte</p>		
Aviso importante: información sobre la garantía para los clientes del EEE* y Suiza		Español
Para una información detallada sobre este producto Yamaha y sobre el soporte de garantía en la zona EEE* y Suiza, visite la dirección web que se incluye más abajo (la versión del archivo para imprimir esta disponible en nuestro sitio web) o póngase en contacto con el representante de Yamaha en su país. <p>* EEE: Espacio Económico Europeo</p>		
Avviso importante: informazioni sulla garanzia per i clienti residenti nell'EEA* e in Svizzera		Italiano
Per informazioni dettagliate sulla garanzia relativa a questo prodotto Yamaha e l'assistenza in garanzia nei paesi EEA* e in Svizzera, potete consultare il sito Web all'indirizzo riportato di seguito (è disponibile il file in formato stampabile) oppure contattare l'ufficio di rappresentanza locale della Yamaha. <p>* EEA: Area Economica Europea</p>		
Aviso importante: informações sobre as garantias para clientes da AEE* e da Suíça		Português
Para obter uma informação pormenorizada sobre este produto da Yamaha e sobre o serviço de garantia na AEE* e na Suíça, visite o site a seguir (o arquivo para impressão está disponível no nosso site) ou entre em contatlo com o escritório de representação da Yamaha no seu país. <p>* AEE: Área Económica Europeia</p>		
Σημαντική σημείωση: Πληροφορίες εγγύησης για τους πελάτες στον ΕΟΧ* και Ελλάδα		Ελληνικά
Πο λεπτομερείς πληροφορίες εγγύησης σχετικά με το παρόν προϊόν της Yamaha και την κάλυψη εγγύησης σε όλες τις χώρες του ΕΟΧ και την Ελλάδα, επισκεφτείτε την παρακάτω ιστοσελίδα (Εκτυπώσιμη μορφή είναι διαθέσιμη στην ιστοσελίδα μας) ή απευθυνθείτε στην αντιπροσωπεία της Yamaha στη χώρα σας. <p>* ΕΟΧ: Ευρωπαϊκός Οικονομικός Χώρος</p>		
Viktigt: Garantinformation för kunder i EES-området* och Schweiz		Svenska
För detaljerad information om denna Yamahaprodukt samt garantiservice i hela EES-området* och Schweiz kan fås enten ved å besøke nettstedene nedenfor (uten skriftsvanlig fil finns på webbsplatsen) eller kontakte kontakta Yamaha-kontoret i landet der du bor. <p>* EES: Europeiska Ekonomiska Samarbetsområdet</p>		
Viktig merknad: Garantinformasjon for kunder i EØS* og Sveits		Norsk
Detaljert garantinformasjon om dette Yamaha-produktet og garantiservice for hele EØS-området* og Sveits kan fås enten ved å besøke nettstedene nedenfor (uten skriftversjon finnes på våre nettsider) eller kontakte kontakta Yamaha-kontoret i landet der du bor. <p>* EØS: Det europeiske økonomiske samarbeidsområdet</p>		
Vigtig oplysning: Garantioplysninger til kunder i EØO* og Schweiz		Dansk
Den detaljerede garantioplysninger om dette Yamaha-produktet og garantiservice for hele EØO-området* (og Schweiz) ved at besøge det websted, der er angivet nedenfor (der findes en fil, som kan udskrives, på vores websted), eller ved at kontakte Yamahas nationale repræsentationskontor i det land, hvor De bor. <p>* EØO: Det Europæiske Økonomiske Område</p>		

### Explanation of Graphical Symbols Explication des symboles



The lightning flash with arrowhead symbol within an equilateral triangle is intended to alert the user to the presence of uninsulated "dangerous voltage" within the product's enclosure that may be of sufficient magnitude to constitute a risk of electric shock to persons.

L'éclair avec une flèche à l'intérieur d'un triangle équilatéral est destiné à attirer l'attention de l'utilisateur sur la présence d'une « tension dangereuse » non isolée à l'intérieur de l'appareil, pouvant être suffisamment élevée pour constituer un risque d'électrocution.



The exclamation point within an equilateral triangle is intended to alert the user to the presence of important operating and maintenance (servicing) instructions in the literature accompanying the product.

Le point d'exclamation à l'intérieur d'un triangle équilatéral est destiné à attirer l'attention de l'utilisateur sur la présence d'instructions importantes sur l'emploi ou la maintenance (réparation) de l'appareil dans la documentation fournie.

# PRÉCAUTIONS CONCERNANT LA SÉCURITÉ

- Lire ces instructions.
- Conserver ces instructions.
- Tenir compte de tous les avertissements.
- Suivre toutes les instructions.
- Ne pas utiliser ce produit à proximité d'eau.
- Nettoyer uniquement avec un chiffon propre et sec.
- Ne pas bloquer les orifices de ventilation. Installer l'appareil conformément aux instructions du fabricant.
- Ne pas installer l'appareil à proximité d'une source de chaleur comme un radiateur, une bouche de chaleur, un poêle ou tout autre appareil (y compris un amplificateur) produisant de la chaleur.
- Ne pas modifier le système de sécurité de la fiche polarisée ou de la fiche de terre. Une fiche polarisée dispose de deux broches dont une est plus large que l'autre. Une fiche de terre dispose de deux broches et d'une troisième pour le raccordement à la terre. Cette broche plus large ou cette troisième broche est destinée à assurer la sécurité de l'utilisateur. Si la fiche équipant l'appareil n'est pas compatible avec les prises de courant disponibles, faire remplacer les prises par un électricien.
- A