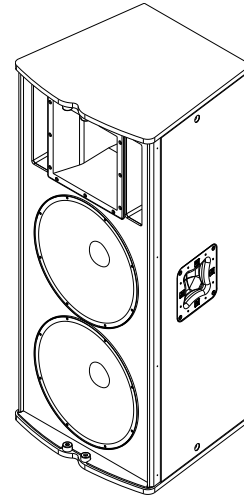


# TX2152



- ND2-8 2" (51mm) Diaphragm, 1" (25.4mm) Exit Neodymium Compression Driver
- Dual SMX2151 15" (381mm) LF Transducers with Fully Symmetric Drive
- 60° x 40° Rotatable Coverage Pattern
- 103 dB Sensitivity, 139 dB Maximum SPL
- 1000W Continuous (4000W Peak) Power Handling



The TX2152 from Electro-Voice is a high power, very high sensitivity, 2-way loudspeaker system that can be used in applications that require high SPL while maintaining a smooth response. When combined with the TX2181 subwoofer, the TX2152 is capable of serving as the main PA for small to medium sized live sound venues and nightclubs with extended LF response.

The TX2152 utilizes the ND2, a high output 2-inch titanium compression driver, coupled to a Constant Directivity 60° x 40° horn. This combination results in excellent pattern control in medium throw applications.

Dual SMX2151 15-inch woofers have FEA optimized magnet structures and shorting rings for ultra low distortion and maximum intelligibility at high SPL levels. The crossover uses very steep 36 dB/octave slopes with equalization for very smooth response in vocal range, and a protection circuit for long term reliability.

The TX2152 has a variety of features that make it equally suited for portable or fixed installation applications. The internally braced, trapezoidal enclosure is constructed out of a combination of plywood and MDF, and coated with EVCoat for maximum strength and durability. The unique grille design is very strong, dent resistant, and features a rotatable logo. Four way handles allow for gripping the TX2152 in a variety of positions. Six (6) M8 or six (6) 3/8-inch threaded points allow a single TX2152 to be suspended in a various positions in fixed installation applications. The recessed input panel with dual NL4

connectors keeps the connectors hidden and allows for closer placement to a wall or other boundary. The TX2152 is the same width and height as the TX2181, providing a single column appearance when stacked, and uses the minimum amount of space when stored or transported.

## Technical specifications

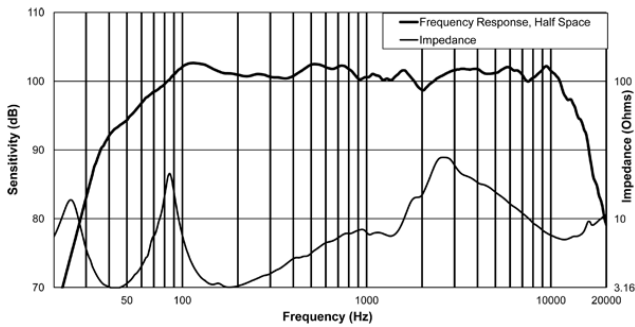
Frequency Response (-3 dB):	55 Hz - 13 kHz <sup>1</sup>
Frequency Range (-10 dB):	50 Hz - 18 kHz <sup>1</sup>
Rec. High-Pass Frequency:	40 Hz
Axial Sensitivity:	103 dB (1W/1m)
Max Calculated SPL:	139 dB
Horizontal Coverage:	60° or 40°
Vertical Coverage:	40° or 60°
Power Handling:	1000 W Continuous, 4000 W Peak
LF Transducer:	(2) SMX2151's, 15 in (381 mm) Drivers
HF Transducer:	ND2-8, 2 in (51 mm) Diaphragm Compression Driver
Crossover Frequency:	1750 Hz
Nominal Impedance:	4 Ohms
Minimum Impedance:	3.1 Ohms
Connectors:	(2) Neutrik Speakon NL4's

Enclosure:	Plywood and MDF with EVCoat
Grille:	16 GA Steel, Black Powdercoat, with Rotatable Logo
Suspension:	(6) M8 or (6) 3/8-inch Threaded Points - (2) on Each Side and (2) on the Rear of Enclosure
Dimensions (H x W x D):	45.4 in x 20.0 in x 18.5 in (1154 mm x 508 mm x 471 mm)
Net Weight:	94.3 lb (42.8 kg)
Shipping Weight:	105.8 lb (48.0 kg)

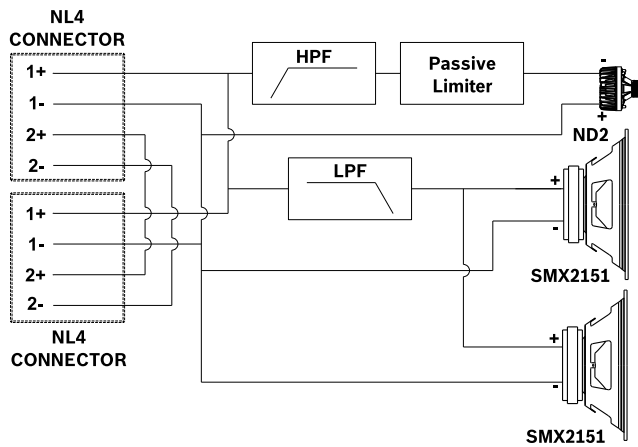
1 Full Half Space Measurement

## System overview

### Frequency Response & Impedance:



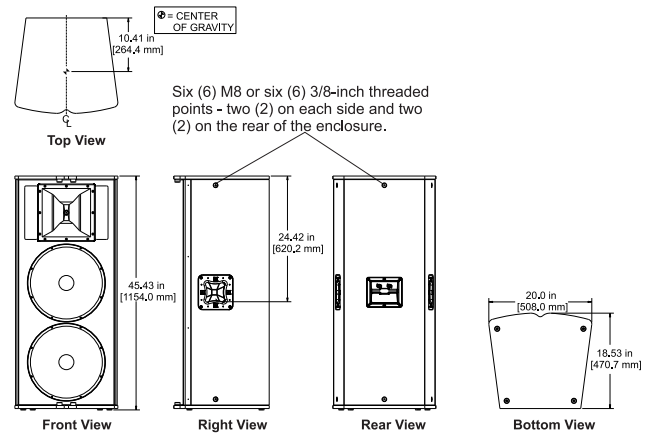
### Block Diagram:



### Compatible System Solutions:

TX2181	TX2181, Dual 18" Sub, Black Finish
Q99	Q99 Power Amplifier, 2 x 900W @ 4 ohms, 2U, 120V
Q1212	Q1212 Power Amplifier, 2 x 1200W @ 4 ohms, 2U, 120V
DC-One	DC-One, 120V Digital Loudspeaker Controller

### Dimension Drawings:



### Caution!



This Electro-Voice loudspeaker should be suspended overhead only in accordance with the procedures and limitations specified. This system should be suspended with certified rigging hardware by an authorized rigging professional and in complete compliance with local, state, and federal overhead suspension ordinances.

## Ordering information

### TX2152

2 x 15" 2-way Full-range, 102 dB, 1000 W cont.  
Order number **TX2152@L**

### Accessories

#### EBK-1

3/8-inch forged eyebolt kit (set of 3)  
Order number **EBK-1-LB**

#### EBK-3

Forged M8 eyebolt kit (set of 3)  
Order number **EBK-3-LB**

**Represented by:**

---

**Germany:**

Bosch Sicherheitssysteme GmbH  
Robert-Bosch-Ring 5  
85630 Grasbrunn  
Germany

Bosch Security Systems, Inc.  
12000 Portland Avenue South  
Burnsville MN 55337  
USA

[www.electrovoice.com](http://www.electrovoice.com)