

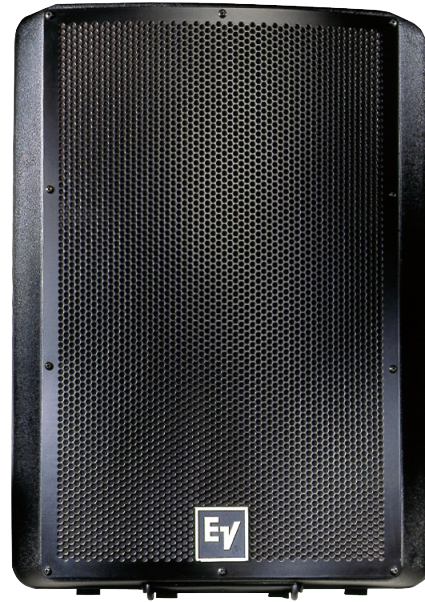
SB122PI

Single 12" 400-Watt
Weatherized
Bass Module



Key Features:

- Very Compact and Lightweight - Only 41 lbs/18.6 kg
- Integral Handle
- 400 Watt Continuous, 1,600 Watt Peak Power Handling
- Parallel Neutrik Speakon High Current Input Connectors
- Cast Frame EVS12SB 12-inch High-Excursion Subwoofer Driver
- Integral Low-Pass Filter - No Additional Amplifier or Processor Needed



General Description:

The Electro-Voice® SB122PI bass module is a very compact, lightweight subwoofer system that is designed to add bass enhancement to EV Sx and Zx Series speaker systems.

The full face weatherized stainless steel grill with hydrophobic cloth inhibits water from entering the port or coming into contact with the woofer. The SB122PI combines the advantages of a long-throw 12" woofer with a strong, lightweight composite enclosure. The large vent provides less vent compression and turbulence for increased low frequency output.

The EVS12SB cast frame transducer created for the SB122PI uses the same motor and suspension design as the EVS18S used in EV's larger systems. With nearly two inches of peak-to-peak excursion capability, this is literally a twelve inch with the heart of an eighteen.

An integral low-pass filter allows the SB122PI to be directly connected in parallel with a full-range speaker for truly impressive low-end output without the need for an additional amplifier and processor. The filter is transparent below 160Hz, allowing the SB122PI to be used as an independent subwoofer in biamp applications without the need to disable the internal filter. For maximum output in biamp applications and protection of the full-range system when running in parallel, a 40Hz Hi-pass (subsonic) filter is recommended.

The SB122PI features a convenient pole mount socket on top of the enclosure to allow a small fullrange speaker such as the Zx1 or Sx80 to be mounted on the optional ASP-1 accessory pole, resulting in a compact system than sounds much bigger than it looks.

The SB122PI is also available with a high quality internal 70.7V line transformer as the SB122PIX.

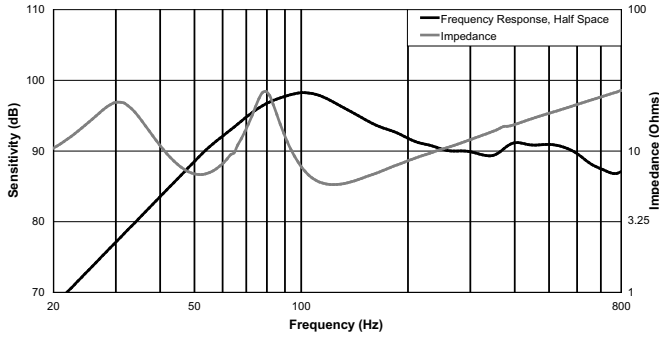
Technical Specifications:

Freq. Response ¹ (-3 dB):	63 Hz - 174 Hz
Freq. Range ¹ (-10 dB):	44 Hz - 250 Hz
Rec. Hipass Frequency:	50 Hz
Axial Sensitivity ¹ :	96 dB (1W/1m)
Max. Calculated SPL:	128 dB
Power Handling (Cont.):	400 Watts
Power Handling (Peak):	1,600 Watts
LF Transducer:	EVS12SB, 12 in (305mm) Driver
Rec. Crossover Freq. Range, Biamp:	80 Hz - 160 Hz
Impedance:	8 Ohms
Connectors:	(2) Neutrik Speakon NL4's
Grille:	Stainless Steel with Hydrophobic Cloth
Dimensions (H x W x D):	23.1" x 16.9" x 12.3" (586mm x 429mm x 312mm)
Net Weight:	41.0 lbs (18.6 kg)
Shipping Weight:	44.4 lbs (20.2 kg)

¹ Half Space Measurement.



Frequency Response & Impedance:



SB122PI Part Numbers

- 302050-001 SB122PI, Single 12" Bass Module, Weatherized, Black Finish
- 302050-002 SB122PI-W, Single 12" Bass Module, Weatherized, White Finish

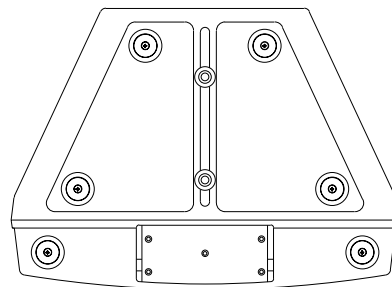
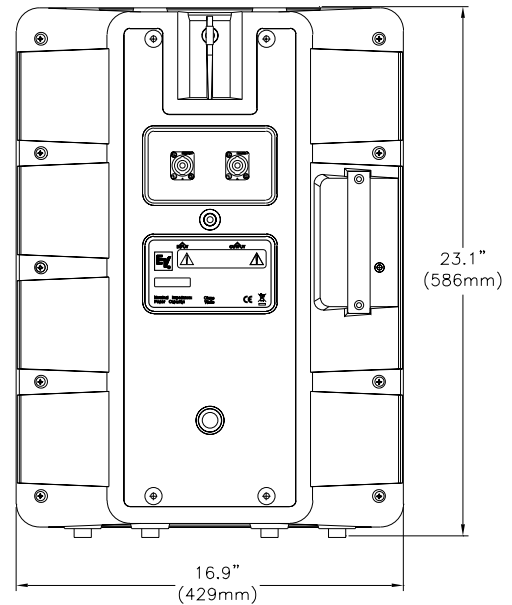
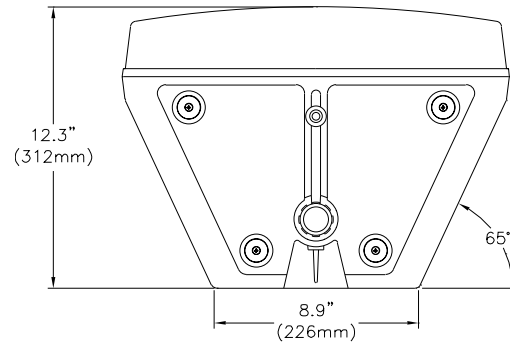
Performance Match

- F01U076827 Q99 Power Amplifier, 2 x 900W @ 4 Ohms, 2U, 120V

Accessories

- 302055-000 ASP-1, Adjustable Sub Pole
- 5912525 PDSx, Carrying Bag
- 302053-001 TSS-1, Single Aluminum Tripod Stand, Black
- 302053-000 TSP-1, Two Aluminum Tripod Stands with Carrying Case

Dimension Drawings:



CAUTION
This SB122PI Loudspeaker is very lightweight and has a small footprint. Do not attempt to pole-mount a speaker system larger than a ZX1 or SX80 on the SB122PI.

Electro-Voice®

12000 Portland Avenue South, Burnsville, MN 55337
Phone: 952/884-4051, Fax: 952/884-0043

www.electrovoice.com

© Bosch Communications Systems 05/2009

Part Number LIT000006 Rev 1

U.S.A. and Canada only. For customer orders, contact Customer Service at:
800/392-3497 Fax: 800/955-6831

Europe, Africa, and Middle East only. For customer orders, contact Customer Service at:
+ 49 9421-706 0 Fax: + 49 9421-706 265

Other International locations. For customer orders, Contact Customer Service at:
+ 1 952 884-4051 Fax: + 1 952 887-9212

For warranty repair or service information, contact the Service Repair department at:
800/685-2606

For technical assistance, contact Technical Support at: **866/78AUDIO**

Specifications subject to change without notice.