

Sx100+

Sx100+
Compact Portable Sound
Reinforcement Speaker for
Live Sound, Speech, Playback, DJ,
A/V, Institutional Venues



Key Features:

- Compact, Ergonomic Size
- Ring-Mode Decoupling (RMD™)
- Pure Titanium Compression Driver
- 65° x 65° Constant Coverage Horn
- High Efficiency, High Output
- Molded-in Pole Mount, Rigging Points



General Description:

The Electro-Voice® Sx100+ is a 200-watt, 12-inch two-way, high efficiency, constant-directivity portable speaker system. Through the extensive use of computer-aided design and modeling, Electro-Voice engineers have developed a state-of-the-art professional loudspeaker system. Its performance and physical design make it perfect for many applications requiring quality sound in portable and fixed environments.

The high-frequency section of the Sx100+ utilizes a molded-in, 65° x 65° constant-directivity horn. This unique pattern contributes to high intelligibility, vocals sound natural yet “cut through” in reverberant, noisy rooms. Coverage pattern is uniform, sound quality off-axis is very well maintained, even at 45° off axis (a 90° total coverage angle).

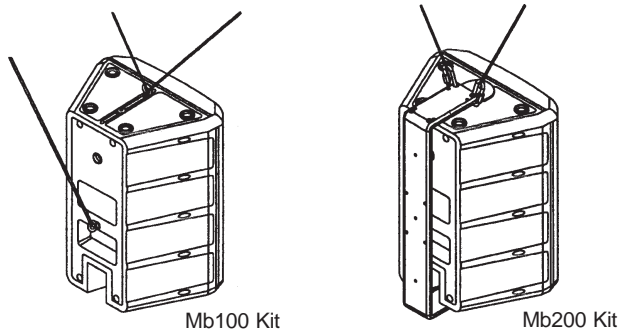
The horn’s unique, Varipath™ throat geometry helps driver output to the corners of the room, areas which are not described in the usual specifications of horizontal and vertical coverage angles. This results in more uniform coverage throughout, even to those parts of the audience that typically do not receive the strongest coverage.

The Sx100+’s high-frequency horn is driven by the DH3, a one-inch-throat, wide-bandwidth, titanium-diaphragm driver using a unique, convex-drive TimePath™ phasing plug structure (U.S. Patent #4,525,604) for smooth and extended high-frequency response.

Technical Specifications:

Freq. Response (-10 dB):	60 Hz - 25 kHz
Sensitivity:	98 dB
Max SPL:	127 dB
Impedance:	8 ohms Nominal, 5.6 ohms Min.
Horizontal Coverage:	65°
Vertical Coverage:	65°
Power Handling:	200W Continuous, 800W Peak
LF Transducer:	12" (300mm)
HF Transducer:	1" (25mm) exit DH3 Comp. Driver
Connectors:	Neutrik Speakon®
Enclosure Material:	Copolymer
Grille:	Powder Coated Steel
Dim (H x W x D):	23.1" x 16.9" x 12.3" (586 x 429 x 312mm)
Net Weight:	32 lbs (14.5 kg)
Shipping Weight:	35 lbs (15.9 kg)

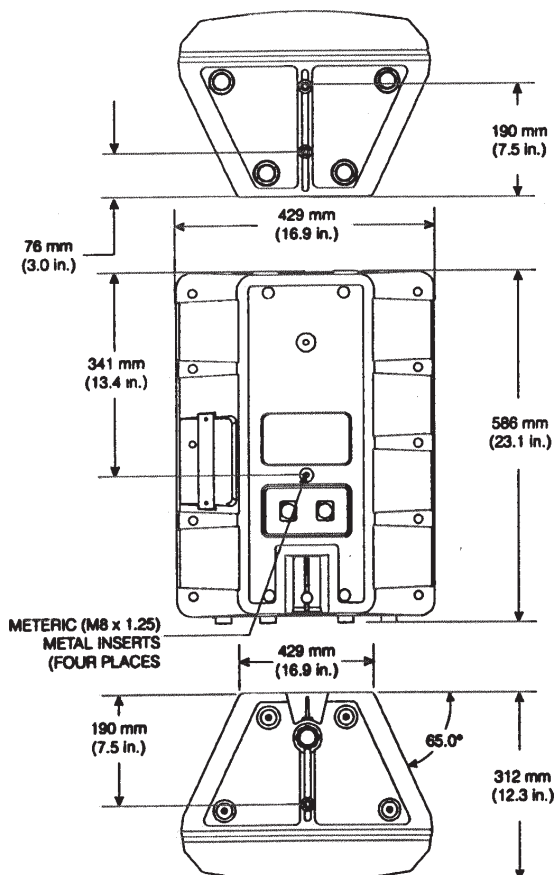
Suspending the Sx100+:



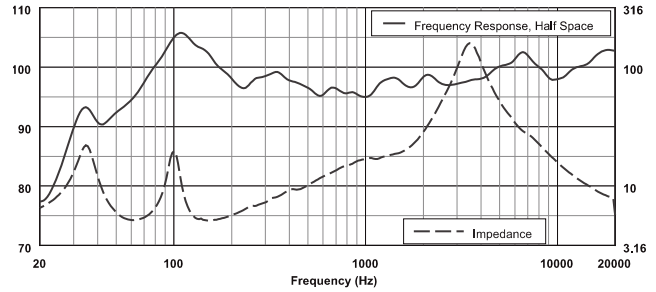
Mb100 Kit

Mb200 Kit

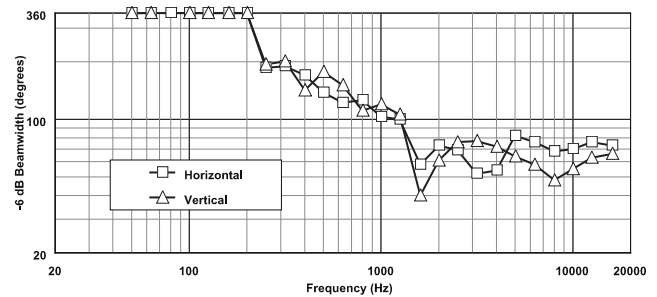
Dimension Drawings:



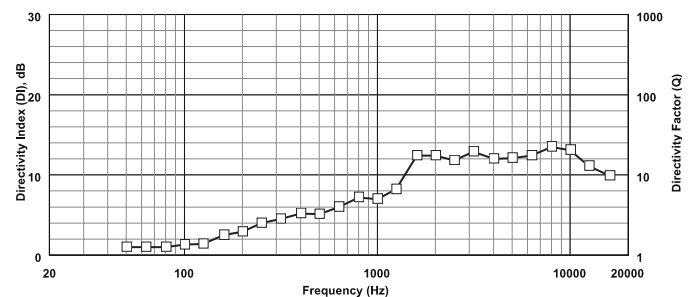
Frequency Response & Impedance:



Beamwidth:



Directivity:



Performance Match:

- Sb122 Subwoofer

Available Accessories:

- F200 Monitor Feet (Qty. 2)
- TSS-1 Tripod Stand
- MB100 Eyebolt Suspension Kit
- MB200 Bracket Suspension Kit
- MB300 Bracket Suspension Kit

Sx100+ Part Numbers:

- Sx100+E (Black/Speakon®) -- 11053282
- Sx100+WE (White/Speakon®) -- 11053285

EV Electro-Voice®

12000 Portland Avenue South, Burnsville, MN 55337
Phone: 952/884-4051, Fax: 952/884-0043

www.electrovoice.com

© Telex Communications, Inc. 10/2009

Part Number 535581 Rev G

U.S.A. and Canada only. For customer orders, contact Customer Service at:

800/392-3497 Fax: 800/955-6831

Europe, Africa, and Middle East only. For customer orders, contact Customer Service at:

+ 49 9421-706 0 Fax: + 49 9421-706 265

Other International locations. For customer orders, contact Customer Service at:

+ 1 952 884-4051 Fax: + 1 952 736-4212

For warranty repair or service information, contact the Service Repair department at:

800/685-2606

For technical assistance, contact Technical Support at: 866/78AUDIO

Specifications subject to change without notice.