

**QRx153**  
**15-Inch Three-Way Biamped**  
**Speaker System with**  
**Horn-Loaded Midrange**



**Key Features:**

- 8-inch MF horn loaded for 75° x 50° pattern control to 500 Hz
- 3-inch DH7 HF compression driver
- 15-inch DL15 woofer is loaded into vented enclosure
- Asymmetric MF and HF horns have +15° / -35° coverage
- RMD™ – Ring-Mode Decoupling for vocals and mids with superb fidelity at any listening level
- The EV P1202 Precision Series Amplifier and M153 module are designed to power the QRx153 perfectly
- L-track rigging is installed on top and bottom of the enclosure



**General Description:**

The QRx153/75 is a biamped three-way full-range loudspeaker system capable of filling performance spaces with beautifully balanced audio and high acoustic output capability.

The QRx153 is designed to be bi-amplified at 500 Hz utilizing a DX38 digital controller, or a P1202 power amplifier with M153 control module. All QRx models use 13 ply plywood, EVCoat™ finish, and steel grilles for wear and weather resistance. The QRx153 is trapezoidal with 15° side angles. “L” track rigging is installed on the enclosure top and bottom. Small arrays can be flown for live work, or the system can be suspended horizontally or vertically for fixed installations.

Thanks to its combination of the DL15ST woofer and large enclosure volume; the horn-loaded 8-inch midrange driver and powerful 3-inch compression driver, the EV QRx153/75 has extended response for high-level, high fidelity applications without the need of a subwoofer. The horn-loaded midrange driver provides excellent pattern control in this critical response area. Both MF and HF horns are aimed downward 10° to provide optimal aiming when the speaker is elevated above the audience. This also helps control sound to provide greater intelligibility.

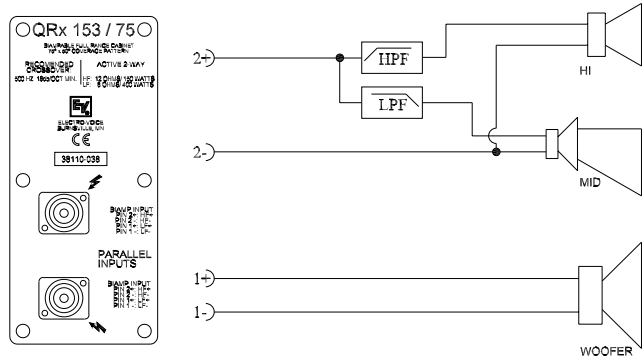
The QRx153/75 has an excellent combination of performance and flexibility for demanding audiences.

**Technical Specifications:**

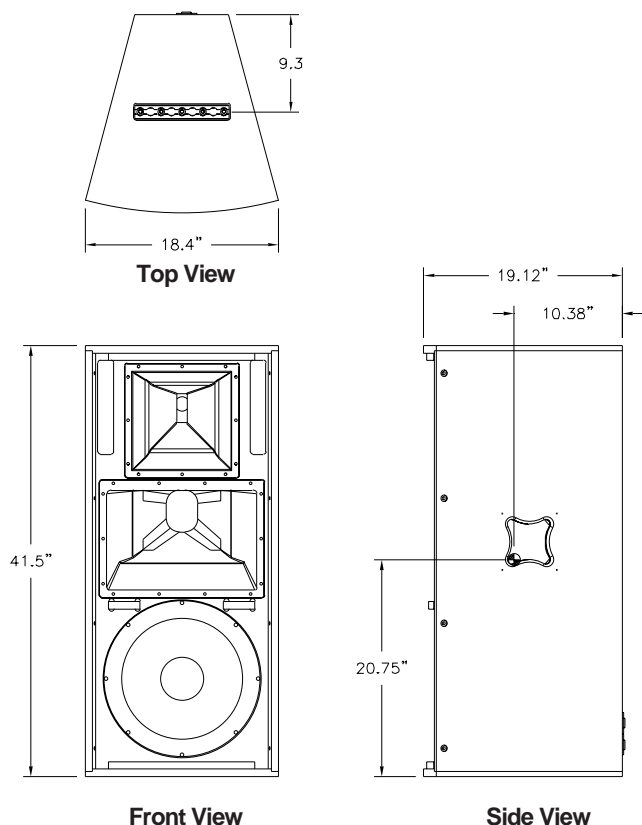
Freq. Range (-10 dB):	42Hz - 20kHz
Freq. Response (-3 dB):	50Hz - 16kHz
Long Term Pwr Handling <sup>1</sup> :	400W LF / 150W MF/HF
Short Term Pwr Handling <sup>1</sup> :	1600W LF / 600W MF/HF
Sensitivity (1W / 1m):	98dB LF / 105dB MF/HF
Impedance:	8 ohms LF / 12 ohms MF/HF
Max. Calc. SPL Output:	130 dB @ 1m
Horizontal Coverage:	75°
Vertical Coverage:	50° (Up 15°, Down 35°)
LF to MF Crossover:	500 Hz
Passive Crossover Freq.:	1.2 kHz
LF Transducer:	15-inch DL15ST
MF/HF Transducers:	MF8 8-inch MF / DH7 3-inch HF
Enclosure:	Trapezoidal 13-ply (18mm) Baltic Birch (15° Side Angles)
Suspension:	L-Track w/Ancra fittings
Connectors:	(2) Neutrik Speakon NL4's
Q and DI:	Q = 12 / DI = 10.8
Recommended Controller:	Dx38
Grille:	Powder Coated Steel, Fabric backed
Dim (H x W x D) in:	41.5" x 18.4" x 19.12"
Dim (H x W x D) mm:	1054 mm x 467 mm x 485 mm
Net Weight:	97 lbs (44.09 kg)
Shipping Weight:	105 lbs (47.72 kg)

<sup>1</sup>EIA-RS426A

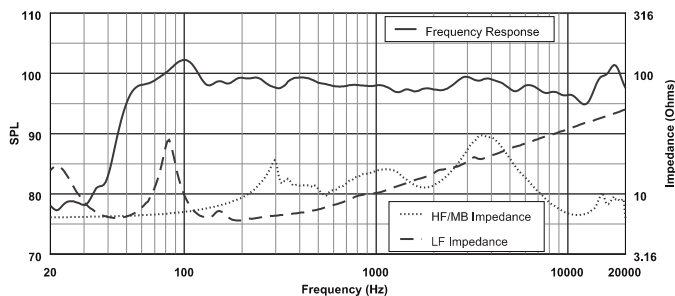
## Block Diagram:



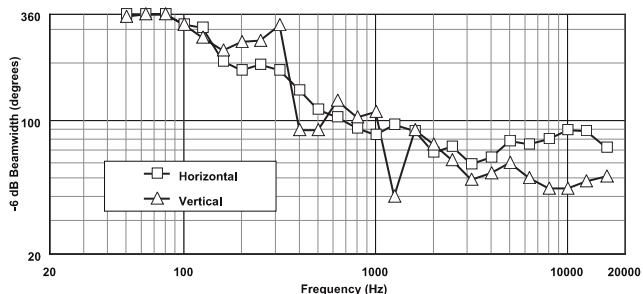
## Dimension Drawings :



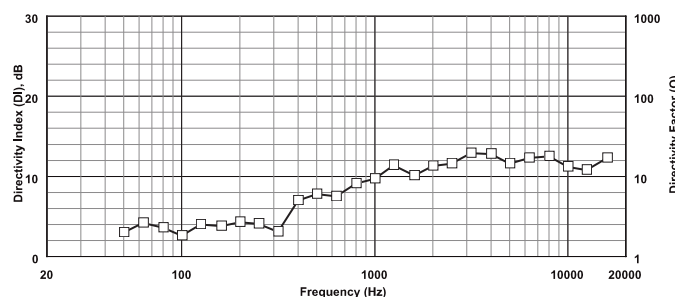
## Frequency Response:



## Beamwidth:



## Directivity:



### Performance Match:

- QRx218s -- Dual 18" Woofer System
- P1202 -- Precision Series™ Amplifier
- M153 -- Control Module for QRx153
- Dx38 -- Digital Loudspeaker Controller

### QRx153 Part Number:

- 301208-001 QRx-153, Black EVCoat™ finish



**WARNING:** Suspending any object is potentially dangerous and should only be attempted by individuals who have a thorough knowledge of the techniques and regulations of rigging objects overhead. Electro-Voice® strongly recommends that QRx speakers be suspended taking into account all current national, federal, state and local regulations. It is the responsibility of the installer to ensure that QRx speakers are safely installed in accordance with all such regulations. If QRx speakers are suspended, Electro-Voice® strongly recommends that the system be inspected at least once a year. If any sign of weakness or damage is detected, remedial action should be taken immediately.

**EV Electro-Voice®**

12000 Portland Avenue South, Burnsville, MN 55337  
Phone: 952/884-4051, Fax: 952/884-0043

[www.electrovoice.com](http://www.electrovoice.com)

© Telex Communications, Inc. 1/2009  
Part Number 38110-079 Rev D

U.S.A. and Canada only. For customer orders, contact Customer Service at:  
**800/392-3497 Fax: 800/955-6831**

Europe, Africa, and Middle East only. For customer orders, contact Customer Service at:  
**+ 49 9421-706 0 Fax: + 49 9421-706 265**

Other International locations. For customer orders, contact Customer Service at:  
**+ 1 952 884-4051 Fax: + 1 952 736-4212**

For warranty repair or service information, contact the Service Repair department at:  
**800/685-2606**

For technical assistance, contact Technical Support at: **866/78AUDIO**

Specifications subject to change without notice.