

QRX-118S



Electro-Voice

- Loaded with a concert-proven EVX-180B woofer for maximum power-handling
- Available in black and by special order in white
- EV comfort-lift handles
- Comes with metal socket for elevating a two-way system
- 13-ply birch plywood enclosure finished in EVCoat



The QRx-118S is a dedicated subwoofer loudspeaker system that incorporates the EVX-180B 4-inch voice coil driver for maximum LF reproduction power with minimum box volume. This vented, 600-watt system easily provides 131 dB SPL at 1 m (137 dB peak) at full power in a rectangular enclosure that is stable and readily stacks for extra energy or slides easily under even the lowest stages. The QRx-118S cabinet has recessed side safety handles for ease of transport and includes 1-3/8-inch pole mount receptacle for use with full range cabinets without the need for extra mounting stands. The rear of the cabinet includes four 1/4-20 threaded T-nuts for affixing casters or dollies.

Technical specifications

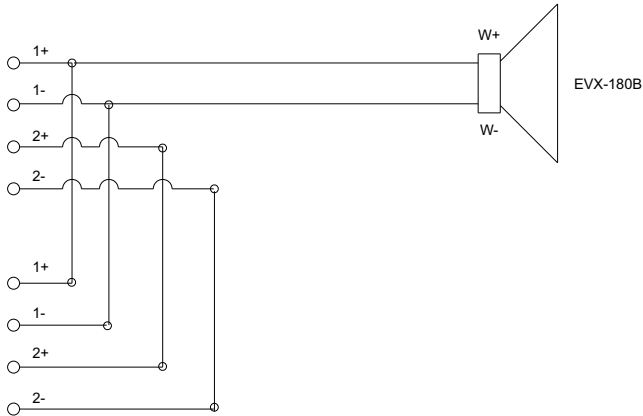
System Configuration:	Subwoofer
Freq. Response (-3 dB):	45 Hz - 150 Hz ¹
Freq. Response (-10 dB):	30 Hz - 250 Hz ¹
Recommended High-Pass Freq.:	36 Hz, 12 dB/octave minimum
Recommended Crossover Freq. Range:	100 Hz, 24 dB/octave
Axial Sensitivity, SPL:	98 dB (1 watt@1m) ¹
Max Calculated SPL:	Long Term: 131 dB ¹ Peak: 137 dB ¹
Long-Term Power Handling:	600 watts

Short-Term Power Handling:	2,400 watts
LF Transducer:	EVX180B Cast Frame 18-inch Woofer, 4" Voice Coil
Impedance:	8 ohms
Enclosure:	13-Ply Birch Plywood
Grille:	Powder-Coated 16-GA Steel, Fabric Backed
Input Connectors:	(2) Neutrik Speakon NL4's
Dimensions (H x W x D):	35.5 in x 17.7 in x 23.6 in (902 mm x 450 mm x 599 mm)
Net Weight:	100 lb (45 kg)
Shipping Weight:	109 lb (49 kg)

1. Half space measurements.

System overview

Block Diagram:

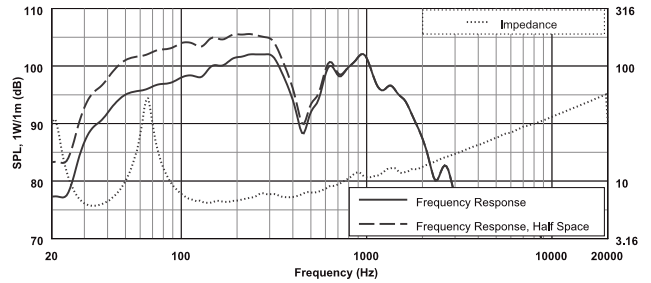


Warning!

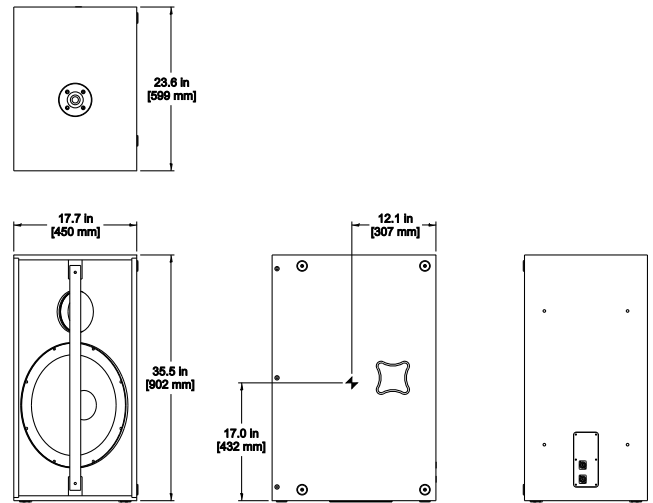
Suspending any object is potentially dangerous and should only be attempted by individuals who have a thorough knowledge of the techniques and regulations of suspending objects overhead. Electro-Voice strongly recommends all loudspeakers be suspended taking into account all current national, federal, state, and local laws and regulations. It is the responsibility of the installer to ensure all loudspeakers are safely installed in accordance with all such requirements. When loudspeakers are suspended, Electro-Voice strongly recommends the system be inspected at least once per year or as laws and regulations require. If any sign of weakness or damage is detected, remedial action should be taken immediately. The user is responsible for making sure the wall, ceiling, or structure is capable of supporting all objects suspended overhead. Any hardware used to suspend a loudspeaker not associated with Electro-Voice is the responsibility of others.



Frequency Response:



Dimensions:



Compatible System Solutions:

EV P1202 Modular Precision Amplifier

M-118 Plug-in Controller Module

EV P3000 Precision Series Amplifier

Dx38 Digital Sound System Controller

AC-One Analog Sound System Controller

Ordering information

QRX-118S-BLK

Single 18" subwoofer 600 W, black
Order number **QRX-118S-BLK@L**

QRX118S-WHT

Single 18" subwoofer 600 W, white
Order number **QRX-118S-WH@L**

Represented by:

Germany:
Bosch Sicherheitssysteme GmbH
Robert-Bosch-Ring 5
85630 Grasbrunn
Germany

Bosch Security Systems, Inc.
12000 Portland Avenue South
Burnsville MN 55337
USA

www.electrovoice.com