

## KEY FEATURES

- Fully rotatable asymmetrical horn for use in any cabinet position
- Externally switchable biamped or passive operation

# QRx-112/75

## Loudspeaker System



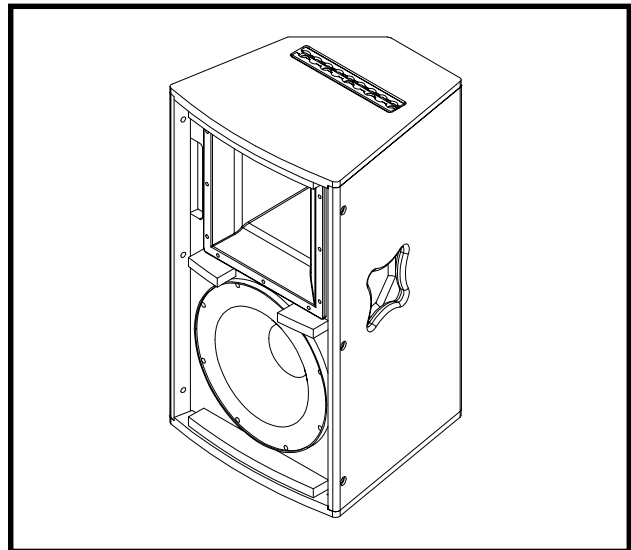
### General Product Description

The QRx-112/75 is a two-way, full-range loudspeaker system that incorporates a 12-inch woofer and a 3-inch voice coil compression driver on an asymmetrical 75-degree x 50-degree fully rotatable constant-directivity horn. In factory-delivered position the horn provides a 15-degree up/35-degree down vertical coverage pattern. The five-sided cabinet design allows this main PA system cabinet to easily conform to duties as a floor monitor or to be tucked tightly against a ceiling for low-profile applications. The fully rotatable horn means that regardless of cabinet position, pattern control is fully user-determined.

The QRx-112/75 is a good solution for small-to-medium size rooms as a main PA, providing optimized midrange reproduction for speech intelligibility and vocal clarity at moderate levels. As a floor monitor, the tight and clear midrange coupled to a large format HF diaphragm helps cut through stage rumble while delivering smooth reproduction. The asymmetrical horn can allow a single box to more adequately direct the high frequencies as needed, as well as streamline multi-cabinet arrays by extending horizontal coverage while minimizing overlapping and allowing tighter packs between the cabinets.

### Architects' and Engineers' Specifications

The two-way, full-range loudspeaker system shall incorporate one 12-inch transducer with a cast aluminum basket as the LF component and one 3-inch diameter voice coil/diaphragm compression driver as the HF component. The compression driver shall be mounted on a 75-degree x 50-degree asymmetrical constant directivity horn with a factory-delivered positioning of 15-degrees up/35-degrees down/50-degrees horizontal configuration. The horn shall be constructed of a material and design so as to be capable, structurally, of supporting the HF driver without any internal braces or suspension, allowing a full 360-degree rotation of the horn. The enclosure shall be vented and tuned for optimum low-frequency extension. An internal passive filter network shall be included providing crossover filters or component bandpasses and nominal system voicing. The input panel shall incorporate two switches allowing external configuration between biamped or passive



operation. Input connections shall be accommodated with two paralleled NL4 female Speakon® connectors.

Loudspeaker system frequency response shall be no less than 75 Hz to 15 kHz (-3 dB) measured on axis. The loudspeaker shall produce a sound pressure level (SPL) of 98 dB on axis at 1 meter with a power input of 1 watt and shall be capable of sustaining a full power, long term average output of 125 dB on axis at 1 meter. The full-range system with passive network engaged shall handle 300 watts of amplified power long-term in compliance with AES-EIA standards and have a nominal impedance of 8 ohms.

The loudspeaker enclosure shall be constructed of 13-ply void-free cross-grain-laminated Birch plywood. It shall be finished in black or white acrylic paint or available unfinished. It shall have five sides with the fifth side angle as such to provide stable and safe placement of the cabinet on its side for floor monitor applications. Handles

### Speaker Description:

**Part Number** ..... 301018-001

**LF Section & Components** .. 12-inch woofer in vented enclosure

**HF Section & Components** ..... DH7 compression driver with 3-inch titanium diaphragm on asymmetric 75 x 50 horn

**System Configuration** ..... Two-way, full-range

**Powering Configuration** ..... Switchable passive or biamp

**Recommended Active High-Pass Frequency** (12 dB/octave minimum) ..... 45 Hz

**Recommended Active Crossover Frequency** (24 dB/octave typical) ..... 1500 Hz

**Passive Crossover Frequency** ..... 1800 Hz

**Cabinet Type** (shape) ..... Modified trapezoid

**Enclosure Materials** ..... 13-ply birch plywood

**Finish** ..... Black acrylic textured paint

**Connectors** ..... Two Neutrik® NL4

**Suspension Hardware** ..... L-track top and bottom, Single-stud plate on back for pull up

**Grille** ..... Powder-coated 16-GA steel

**Options**

WHI - white textured paint

UN - unfinished

**Accessories** ..... SST-1 single stud rigging fitting (3 included)

shall be recessed within the sides of the enclosure and of such design to allow safe handling from any direction. There shall be a 1-3/8 diameter pole mounting socket located on the bottom of the cabinet. The top and bottom of the enclosure shall have L-track rigging installed and the rear shall have a pull-up point. Three single studed anca fittings rated for overhead use

shall be included with each loudspeaker system. Fittings shall include a tethered safety pin to ensure proper installation.

The two-way full-range loudspeaker system shall be the Electro-Voice model QRx-112/75.

## Speaker Characteristics:

### Frequency Response

- 3 dB .....	75 Hz - 15 kHz
- 10 dB .....	52 Hz - 18 kHz

### Axial Sensitivity

SPL, 1 watt @ 1 m, Passive .....	98 dB
SPL, 1 watt @ 1 m, Biamp (LF/HF) .....	100/112 dB

### Impedance

Passive .....	8 ohms
Biamp (LF/HF) .....	8/8 ohms

### Power Handling

Passive - Long-Term EIA .....	300 watts
Short-term peak .....	1200 watts
Biamp - LF Long-Term EIA .....	300 watts
Short-term peak .....	1200 watts
Biamp - HF Long-Term AES .....	75 watts
Short-term peak .....	300 watts

### Calculated Maximum SPL Output

Long-Term .....	125 dB
Peak .....	131 dB

### Nominal Coverage Angle

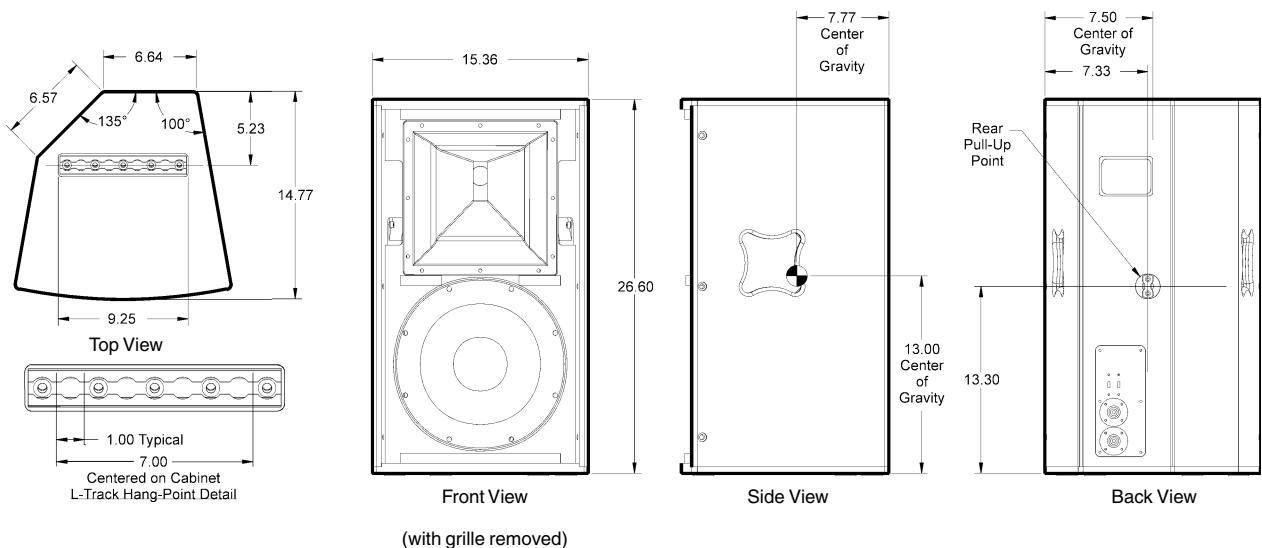
Horizontal (-6 dB) .....	75 Deg.
Vertical (-6 dB) .....	+15/-35 Deg.

### Dimensions

Height .....	26.60 in. (675.5 mm)
Width at front .....	15.35 in. (389.9 mm)
Width at back .....	6.86 in. (174.2 mm)
Depth .....	16.02 in. (371.5 mm)
Trapezoid Angle .....	10 Deg. per side

### Weights

Net Weight .....	58 lb (26 kg)
Shipping Weight .....	64 lb (29 kg)



Dimensions

USA 12000 Portland Ave South, Burnsville, MN 55337, Phone: 952-884-4051, Fax: 952-884-0043  
 Canada 705 Progress Avenue, Unit 46, Scarborough, Ontario, Canada, M1H2X1, Phone: 416-431-4975, 800-881-1685, Fax: 416-431-4588  
 Germany Hirschberger Ring 45, D94315, Straubing, Germany, Phone: +49 9421-706 0, Fax: +49 9421-706 287  
 France Parc de Courcerin, Allee Lech Walesa, Lognes, 77185 Marne la Vallee, France, Phone: +33 1 6480-0090, Fax: +33 1 6480-4538  
 Australia Unit 23, Block C, Slough Business Park, Slough Avenue, Silverwater, N.S.W. 2128, Australia, Phone: +61 2-9648-3455, Fax: +61 2-9648-5585  
 Hong Kong Unit E & F, 21/F, Luk Hop Industrial Bldg., 8 Luk Hop St., San PO Kong, Kowloon, Hong Kong, Phone: +852-2351-3628, Fax: +852-2351-3329  
 Japan 5-3-8 Funabashi, Setagaya-ku, Tokyo, 156-0055 Japan, Phone: +81 3-5316-5020, Fax: +81 3-5316-5031  
 Singapore 3015A Ubi Rd 1, 05-10, Kampong Ubi Industrial Estate, Singapore 408705, Phone: +65-746-8760, Fax: +65-746-1206  
 Mexico Av. Parque Chapultepec #66-201, Col. El Parque Edo. De Mexico 53390, Mexico, Phone: +52 5358-5434, Fax: +52 5358-5588  
 UK 4, The Willows Centre, Willow Lane, Mitcham, Surrey CR4 4NX, UK, Phone: +44 181 640 9600, Fax: +44 181 646 7084  
 Africa/Mid-East Hirschberger Ring 45, D94315, Straubing, Germany, Phone: +49 9421-706 0, Fax: 49 9421-706 287  
 Latin America 12000 Portland Ave South, Burnsville, MN 55337, Phone: 952-887-7491, Fax: 952-887-9212

[www.electrovoice.com](http://www.electrovoice.com) • Telex Communications, Inc. • [www.telex.com](http://www.telex.com)

© Telex Communications, Inc. 7/2001  
 Part Number 38109-985 Rev A



**Electro-Voice®**

U.S.A. and Canada only.  
 For customer orders, contact the Customer Service department at  
 800/392-3497 Fax: 800/955-6831  
 For warranty repair or service information, contact the Service  
 Repair department at 800/685-2606  
 For technical assistance, contact Technical Support at 866/78AUDIO  
 Please refer to the Engineering Data Sheet for warranty information.  
 Specifications subject to change without notice.