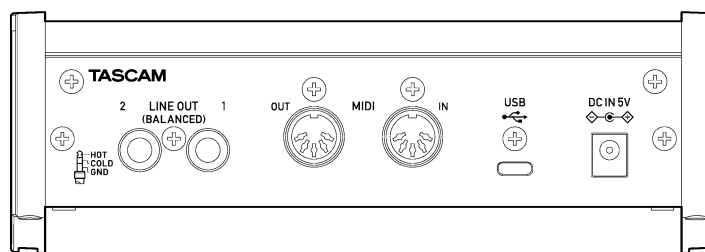
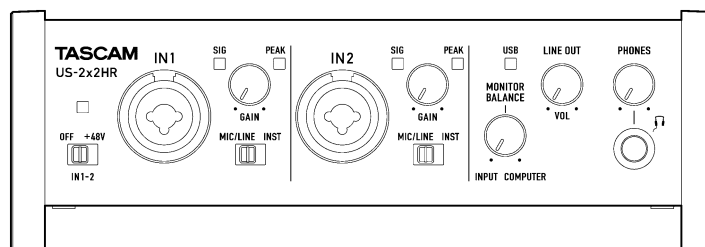


Product Spec Sheet

USB Audio/MIDI Interface

US-2x2HR



■ Specifications

General

Sampling frequencies

44.1, 48, 88.2, 96, 176.4, 192 kHz

Quantization bit depth

24-bit

Input/output ratings

•Analog inputs

Mic inputs (balanced)

IN1/IN2

Connectors:	XLR-3-31 equivalent (1: GND, 2: HOT, 3: COLD)
Maximum input level:	+9 dBu (2.183 Vrms)
Rated input level:	-7 dBu (0.346 Vrms)
Gain range:	56 dB
Input impedance:	2.2 k Ω

Instrument inputs (unbalanced)

IN1/IN2

(MIC/LINE INST switch set to INST)

Connectors:	6.3 mm (1/4") standard TS jacks (Tip: HOT, Sleeve: GND)
Maximum input level:	+10 dBV (3.162 Vrms)
Rated input level:	-6 dBV (0.501 Vrms)
Gain range:	56 dB
Input impedance:	1 M Ω or more

Line inputs (balanced)

IN1/IN2

(MIC/LINE INST switch set to MIC/LINE)

Connectors:	6.3 mm (1/4") standard TRS jack (Tip: HOT, Ring: COLD, Sleeve: GND)
Maximum input level:	+20 dBu (7.746 Vrms)
Rated input level:	+4 dBu (1.228 Vrms)
Gain range:	56 dB
Input impedance:	10 k Ω

-Analog outputs**Line Outputs (balanced)**

LINE OUT (BALANCED) 1-2

Connectors:	6.3 mm (1/4") standard TRS jacks (Tip: HOT, Ring: COLD, Sleeve: GND)
Maximum output level:	+20 dBu (7.746 Vrms)
Rated output level:	+4 dBu (1.228 Vrms)
Output impedance:	210 Ω

Headphone output (PHONES)

Connectors:	6.3 mm (1/4") standard stereo jack
Maximum output:	18 mW + 18 mW or higher (THD+N 0.1% or less, into 32 Ω load)

-Control input/output ratings**MIDI IN connector**

Connector:	5-pin DIN
Format:	standard MIDI

MIDI OUT connector

Connector:	5-pin DIN
Format:	standard MIDI

USB

Connector:	4-pin USB Type-C
Transfer rate:	USB 2.0 High Speed (480 Mbps)

Audio performance**Mic amp EIN (equivalent input noise)**

-128 dBu or less

Frequency response**MIC/LINE IN**

At 44.1/48 kHz, 20 Hz - 20 kHz:	+0 dB/-0.4 dB (JEITA)
At 88.2/96 kHz, 20 Hz - 40 kHz:	+0 dB/-0.4 dB (JEITA)

LINE OUT

At 44.1/48 kHz, 20 Hz - 20 kHz:	+0.2 dB/-0.1 dB (JEITA)
At 88.2/96 kHz, 20 Hz - 40 kHz:	+0.2 dB/-0.4 dB (JEITA)

S/N ratio

110 dB (MIC IN, GAIN knob at minimum, 20 kHz SPCL LPF + A-Weight)
108 dB (LINE IN, GAIN knob at minimum, 20 kHz SPCL LPF + A-Weight)
110 dB (LINE OUT, LINE OUT knob at maximum, 20 kHz SPCL LPF + A-Weight)

THD + N

0.0013% (MIC IN, 1 kHz sine wave, -5 dBFS input, GAIN knob at minimum, 20 kHz SPCL LPF)
--

0.0011%

(LINE IN, 1 kHz sine wave, -5 dBFS input, GAIN knob at minimum, 20 kHz SPCL LPF)

0.0012%

(LINE OUT, 1 kHz sine wave, -4 dBFS input, LINE OUT knob at maximum, 20 kHz SPCL LPF)

Crosstalk

95 dB or more

(MIC/LINE IN to LINE OUT, 1 kHz sine wave, GAIN knob at minimum)

Computer system requirements

Check the TEAC Global Site (<https://teac-global.com/>) for the latest information about supported operating systems.

•Windows

Supported operating systems

Windows 10 32-bit

Windows 10 64-bit

Windows 8.1 32-bit

Windows 8.1 64-bit

Windows 7*

Windows 7 32-bit SP1 or later

Windows 7 64-bit SP1 or later

* Operation has been confirmed with the final version of Windows 7.

Computer hardware requirements

Windows computer with a USB 2.0 (or higher) port

CPU/processor speed

2 GHz or faster dual core processor (x86)

Memory

2 GB or more

ATTENTION

Operation of this unit was confirmed using standard computers that meet the above requirements. This does not guarantee operation with all computers that meet the above requirements. Even computers that meet the same system requirements might have processing capabilities that differ according to their settings and other operating conditions.

•Mac

Supported operating systems

macOS Catalina (10.15 or later)

macOS Mojave (10.14 or later)

macOS High Sierra (10.13 or later)

Computer hardware requirements

Mac with a USB 2.0 (or higher) port

CPU/processor speed

2 GHz or faster dual core processor

Memory

2 GB or more

•iOS device

Operation has been confirmed with Apple devices running the following iOS versions.

iPadOS13

iOS13

iOS12

iOS11

ATTENTION

To connect an iOS device that has a Lightning connector, a genuine Apple Lightning to USB Camera Adapter (sold separately) is necessary.

•Supported audio drivers**Windows**

ASIO2.0, WDM, MIDI

Mac

Core Audio, Core MIDI

iOS device

Core Audio

Other**Power****Used with a computer**

USB bus power or connected to the dedicated AC adapter below

Used with an iOS device

Connected to the dedicated AC adapter below

Dedicated AC adapter (TASCAM PS-P520E, DC 5 V)

Power consumption

1.75 W

External dimensions

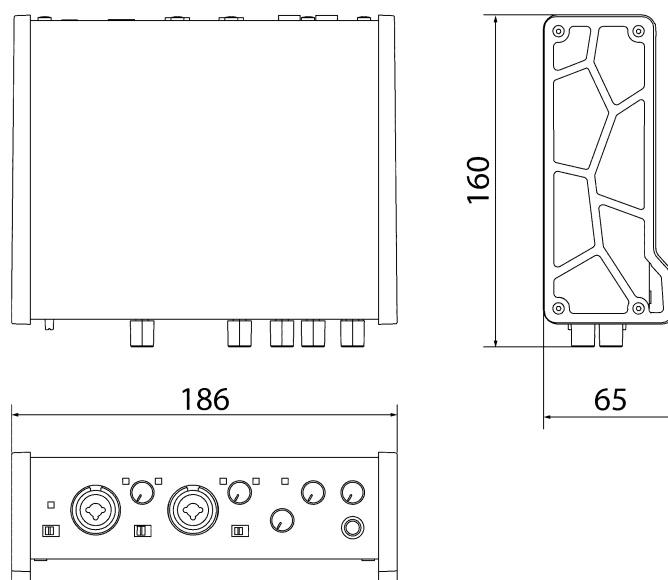
186 × 65 × 160 mm (W x H x D, including protrusions)

Weight

1.1 kg

Operating temperature range

5 – 35° C (41 – 95° F)

■ Dimensional drawings

※TASCAM is trademark of TEAC CORPORATION, registered in the U.S. and other countries.

※Other company names, product names and logos are the trademarks or registered trademarks of their owners.

※Specifications and appearance are subject to change without notice.

※All information included in this document is as of Nov 2020.