

# Operation Manual

Public Address Amplifier  
**MA-206U/212U/224U**



**interM**


# Welcome

## A personal welcome to you from the management and employees of Inter-M

All of the co-workers here at Inter-M are dedicated to providing excellent products with inherently good value, and we are delighted you have purchased one of our products.

We sincerely trust this product will provide years of satisfactory service, but if anything is not to your complete satisfaction, we will endeavor to make things right.

Welcome to Inter-M, and thank you for becoming part of our worldwide extended family!

	<b>CAUTION</b> RISK OF ELECTRIC SHOCK DO NOT OPEN	
<p>CAUTION: TO REDUCE THE RISK OF ELECTRIC SHOCK. DO NOT REMOVE COVER (OR BACK). NO USER-SERVICEABLE PARTS INSIDE. REFER SERVICING TO QUALIFIED SERVICE PERSONNEL.</p> <p>ATTENTION : RISQUE DE CHOC ELECTRIQUE NE PAS QUVRIR</p>		



This symbol is intended to alert the user to the presence of uninsulated "dangerous voltage" within the product's enclosure that may be of sufficient magnitude to constitute a risk of electric shock to persons.



This symbol is intended to alert the user to the presence of important operation and maintenance (servicing) instructions in the literature accompanying the appliance.

Caution: To prevent electric shock do not use this (polarized) plug with an extension cord, receptacle or other outlet unless the blades can be fully inserted to prevent blade exposure.

Attentions: Pour prévenir les chocs électriques ne pas utiliser cette fiche polarisée avec un prolongateur, une prise de courant on une autre sortie de courant, sauf si les lames peuvent être insérées à fond sans en laisser aucune partie à découvert.  
Pour deconnecter complètement l'appareil du reseau d'alimentation. deconnecter le cordon d'alimentation de la prise murale.  
La prise du reseau d'alimentation doit demeurer aisement accessible.

## WARNING

To prevent fire or shock hazard, do not expose the unit to rain or moisture.

\*WARNING FOR YOUR PROTECTION PLEASE READ THE FOLLOWING-WATER AND MOISTURE: Unit should not be used near water(e.g. near a bathtub, washbowl, kitchen sink, laundry tub, in a wet basement, or near a swimming pool, etc). Care should be taken so than objects do not fall and liquids are not spilled into the enclosure through openings.

\*CLASS 2 WIRING (Adjacent to speaker terminal): The speaker output of this apparatus can exceed 10 Watts and could be a shock injury. Connection to speakers should be performed by a skilled person.

\*Do not install this equipment in a confined space such as a book case or similar unit.

\*Warning : To reduce the risk of fire or electric shock, do not expose this apparatus to rain or moisture and objects filled with liquids, such as vases, should not be placed on this apparatus.

\*This apparatus shall be connected to a mains socket outlet with a protective earthing connection.

\*To completely disconnect this apparatus from the AC mains, disconnect the power supply cord plug from the AC receptacle.

\*The mains plug of the power supply cord shall remain readily accessible.

## CAUTION

\*These servicing instructions are for use by qualified service personnel only. To reduce the risk of electric shock, do not perform any servicing other than that contained in the operating instructions unless you are qualified to do so.

## NOTE

\*This equipment has been tested and found to comply with the limits for a Class A digital device, pursuant to Part 15 of the FCC Rules. These limits are designed to provide reasonable protection against harmful interference when the equipment is operated in a commercial environment. This equipment generates, uses, and can radiate radio frequency energy and, if not installed and used in accordance with the instruction manual, may cause harmful interference to radio communications. Operation of this equipment in a residential area is likely to cause harmful interference in which case the user will be required to correct the interference at his own expense.

# Contents

<b>Unpacking</b> .....	2
<b>Installation</b>	
Environment .....	2
Important Safety Instructions .....	2
<b>Features</b> .....	3
Accessories .....	3
<b>Operation</b> .....	3
<b>Front Panel</b> .....	4
<b>Rear Panel</b> .....	7
<b>Connecting Speakers</b> .....	9
<b>Applications</b> .....	10
<b>Block Diagram</b> .....	11
<b>Specifications</b> .....	12
<b>Service</b>	
Procedures .....	14
Schematic .....	14
Parts List .....	14
<b>Variations and Options</b> .....	14
<b>Warranty</b> .....	14

## Unpacking

Although your MA-206U/212U/224U is neither complicated nor difficult to operate, we recommend you take a few minutes to read this brief manual and familiarize yourself with the important information regarding product features, setup and operation.

As with most electronic devices, we strongly recommend you retain the original packaging. In the unlikely event the product must be returned for servicing, the original packaging (or reasonable equivalent) is required.

## Installation

### Environment

Never place this product in an environment which could alter its performance or reduce its service life. Such environments usually include high levels of heat, dust, moisture, and vibration.

## IMPORTANT SAFETY INSTRUCTIONS

1. Read these instructions.
2. Keep these instructions.
3. Heed all warnings.
4. Follow all instructions.
5. Do not use this apparatus near water.
6. Clean only with dry cloth.
7. Do not block any ventilation openings. Install in accordance with the manufacturer's instructions.
8. Do not install near any heat sources such as radiators, heat registers, stoves, or other apparatus (including amplifiers) that produce heat.
9. Do not defeat the safety purpose of the polarized or grounding-type plug. A polarized plug has two blades with one wider than the other. A grounding type plug has two blades and a third grounding prong. The wide blade or the third prong are provided for your safety. If the provided plug does not fit into your outlet, consult an electrician for replacement of the obsolete outlet.
10. Protect the power cord from being walked on or pinched particularly at plugs, convenience receptacles, and the point where they exit from the apparatus.
11. Only use attachments/accessories specified by the manufacturer.
12. Use only with the cart, stand, tripod, bracket, or table specified by the manufacturer, or sold with the apparatus. When a cart is used, use caution when moving the cart/apparatus combination to avoid injury from tip-over.
13. Unplug this apparatus during lightning storms or when unused for long periods of time.
14. Refer all servicing to qualified service personnel. Servicing is required when the apparatus has been damaged in any way, such as power-supply cord or plug is damaged, liquid has been spilled or objects have fallen into the apparatus, the apparatus has been exposed to rain or moisture, does not operate normally, or has been dropped.



## Features

- **A PUBLIC ADDRESS AMPLIFIER WITH RATED OUTPUT OF 60W/120W/240W**  
TAKE UP THE DIGITAL AMPLIFIER CIRCUIT WITH HIGH EFFICIENCY OF THE RATED POWER 60W/120W/240W, HIGH RELIABILITY, LOW WEIGHT AND LOW TEMPERATURE.
- **SUPPLY POWER BY SMPS**  
TAKE UP SMPS (SWITCHING MODE POWER SUPPLY) FOR LOW ELECTRIC POWER AND LOW WEIGHT.
- **VARIOUS INPUT CONTROL FUNCTION**  
CONTROL THE EACH INPUT CHANNEL LEVEL USING THE SOUND CONTROL VOLUME OF INPUT 1~6.
- **INPUT SIGNAL LEDS**  
EASY TO CHECK THE INPUTTED SIGNAL TO INPUT 1~6.
- **5 BAND GRAPHIC EQUALIZER**  
THIS SYSTEM IS PROVIDED THE 5 BANDS EQUALIZER.  
YOU CAN CONTROL THE TONE EACH FREQUENCY BY USING THEM.
- **SPEAKER SELECTOR**  
6 SPEAKER SELECTOR SWITCHES ARE PROVIDED TO ENABLE YOU TO SELECT 5 SPEAKERS INDIVIDUALLY OR TOTALLY.
- **ANNOUNCEMENT CHIME AND SIREN**
- **VCA(VOLTAGE CONTROLLED AMPLIFIER)**
- **EXT MUTE, EXT CHIME AND TEL IN FUNCTION**
- **10-DOT LED LEVEL METER**
- **USB-MP3 PLAYER & LCD DISPLAY FUNCTION**  
( MP3, WAV, WMA FILE FORMAT SUPPORT)

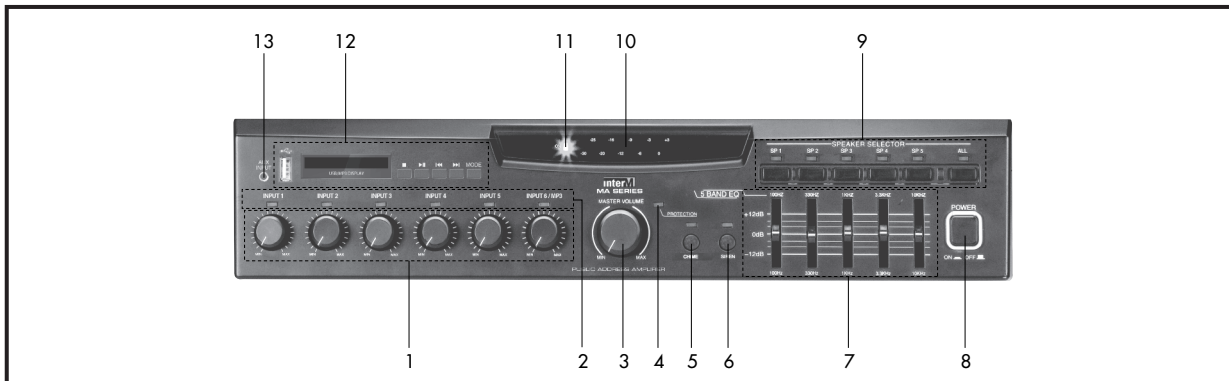
### Accessories

One detachable AC power cord and  $\phi$ 3.5mm audio cable are provided for use with this product.

## Operation

1. Do not connect the AC power until step 4.  
The AC mains POWER switch should be in the OFF position.
2. Adjust the MASTER and all INPUT 1~6 volume controls of the MIN position (turn counterclockwise).
3. Adjust the graphic equalizer so that all slides are set to the 0dB position.
4. Connect the OUTPUTS to the speaker load according to the mode of operation determined in the previous step.
5. Depress the AC mains POWER switch to the ON position. The POWER ON indicator will illuminate.
6. The product is ready for operation, Slowly increase the LEVEL control to the desired operating level.  
Avoid illuminating the PEAK indicator and do not apply too much power to the speakers.

## Front Panel



### 1. INPUT 1~6 VOLUME

These knobs provide continuous control of the volume of INPUT 1~6.

※ Volumes of USB-MP3 and AUX can be adjusted through input 6 Volume.

### 2. INPUT SIGNAL LED

The SIGNAL LED is lighting by input signal of each channel.

### 3. MASTER VOLUME

This knob provides continuous control of the overall volume of amplifier's output signal.

### 4. PROTECTION INDICATOR

This LED indicates the state of the amplifier's protection circuitry and MUTE function.

When the protection LED is on (illuminated), the protection circuitry is active, indicating that the unit is not operating normally.

### 5. CHIME SWITCH / LED

Pressing this switch will activates the four-tone chime circuitry.

### 6. SIREN SWITCH / LED

Pressing this switch will activates the siren circuitry.

Pressing it a second will gradually lower the siren signal, turning it off completely after approximately 2.5 seconds

### 7. GRAPHIC EQUALIZER

Each slider controls the cut (decreased gain) or boost (increased gain) for its associated frequency band.

The middle position indicates flat response (no cut or boost).

Moving the slider upwards increases that frequency's gain, while moving it down decreases the level of that frequency.

### 8. POWER SWITCH (PUSH TYPE)

Pressing the power switch turns the unit on. Pressing it again turns off.

※ This switch makes up that one pole be cut off when power is off.

**9. SPEAKER SELECTOR / LED**

These switches are used to select output to any combination of up to five individual speakers.

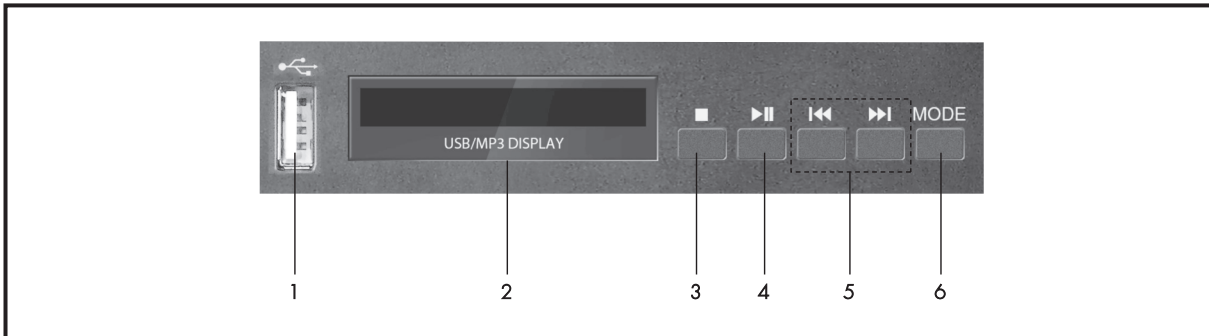
**10. OUTPUT LEVEL INDICATOR**

This indicates the main output signal level relative to the rated power output which is marked as 0dB.

**11. POWER INDICATOR**

When the power switch is ON, the indicator will be lit.

**12. USB-MP3 MODULE**



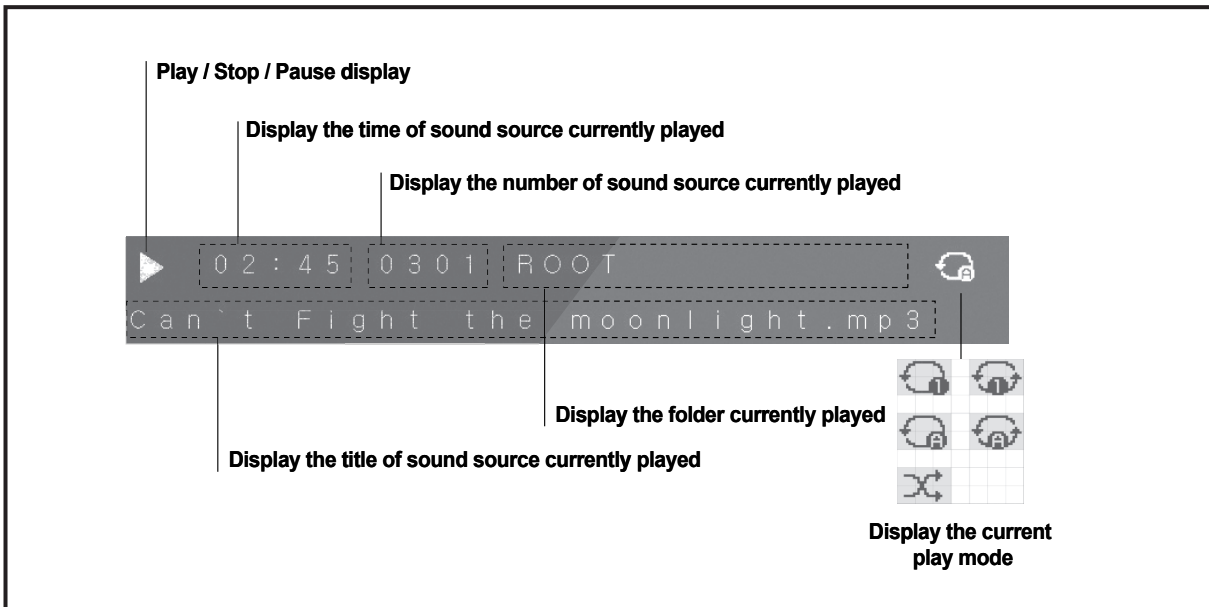
**1) USB INPUT TERMINAL**

It is a terminal connecting USB memory.

Caution : only FAT16, FAT32 format is supported (NTFS, exFAT, EXT2/3/4 formats are not supported.)

※ If USB memory is removed during plays, it may cause malfunction.

**2) OLED DISPLAY**



3) ■(STOP) BUTTON

It is used when stopping during plays.

4) ►►/|| (PLAY or PAUSE) BUTTON

Push it to play and push again to pause.

5) |◀◀►►(PREVIOUS, NEXT) BUTTON

If it is pushed shortly, it skips one song.

If it is pushed for 2 seconds, it performs rewind or fast forward.

6) MODE BUTTON

If it is pushed shortly, following play modes will be set

play one song   repeat one song   play all   repeat all   random play



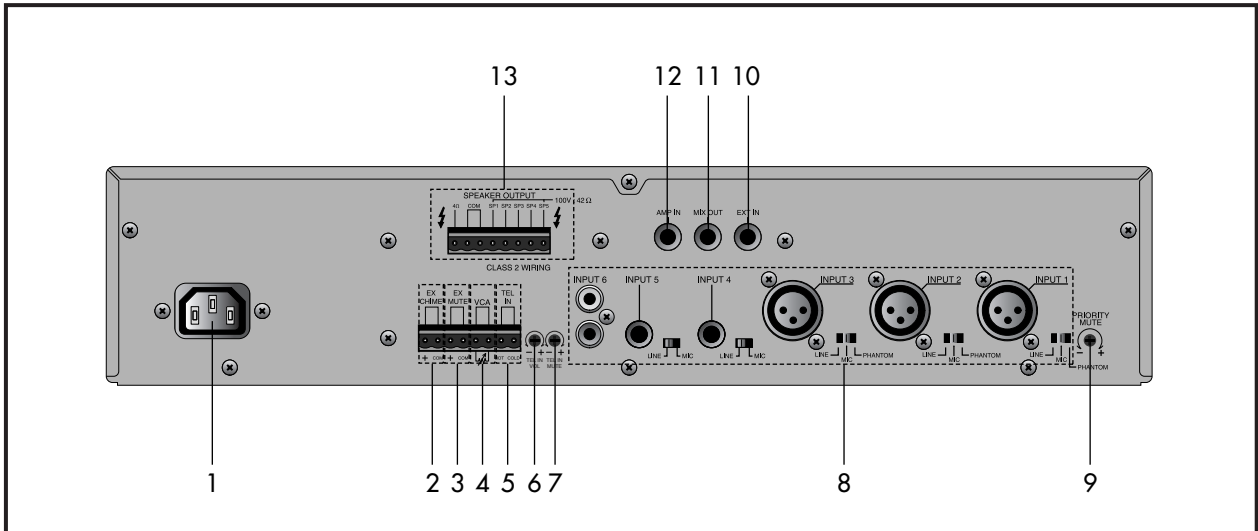
※ If it is pushed for 2 seconds, folder will be moved in orders

**13. AUX INPUT TERMINAL**

BGM input is available by connecting audio source device which has 3.5mm output terminal.



## Rear Panel



### 1. AC POWER INLET

Connect this product to an appropriate AC power source using the supplied Universal AC Power Cord.

### 2. EXT CHIME TERMINAL

When these two terminals are shorted, the four-tone chime circuitry is activated.

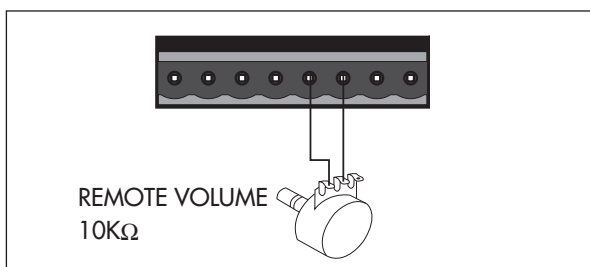
### 3. EXT MUTE TERMINAL

When these two terminal are shorted, the output signal is blocked and the protection indicator on the front panel is turned on.

### 4. VCA (VOLTAGE CONTROLLED AMPLIFIER) TERMINAL

The VCA allows remote adjustment of the post-master volume signals.

When performing the remote volume control, adjust the master volume control in advance noting that its setting limits the maximum signal level adjustable with the volume control. Be sure to avoid turning fully down the master volume control.



### 5. TEL IN TERMINAL

These terminals are provided for connection with a telephone exchange system for paging purposes.

※ NOTE : When the telephone input is active, all other input signal except AMP IN is able to muted.

**6. TEL IN VOLUME**

It is a volume which controls the volume of TEL IN. Adjust the volume for your preference.

**7. TEL IN MUTE VOLUME**

This is able to control the mute level of all other input signal except AMP IN when the signal is inputted from the TEL IN terminal.

**8. INPUT 1~6 JACK AND INPUT SELECTION SWITCH**

INPUT 1~6 are utilized to connect various external sound source devices including MIC, CD, TUNER, etc

**1) INPUT 1~3 (Balanced XLR JACK) AND INPUT SELECTION SWITCH**

LINE: It can be used as LINE level signal input.

MIC: It can be used as the normal dynamic MIC input.

PHANTOM: It can be used as the condenser MIC input and DC 24V is supplied to the input terminal.

**2) INPUT 4~5 (Balanced 6.3Ø Phone JACK) AND INPUT SELECTION SWITCH**

LINE: It can be used as LINE level signal input.

MIC: It can be used as the normal dynamic MIC input.

**3) INPUT 6 (RCA JACK)**

It can be used as an extra stereo input for a stereo source such as a tape deck or CD player.

NOTE: When both inputs are used, the signal is summed and combined.

**9. PRIORITY CONTROL VOLUME**

The output of INPUT 3~6 are controlled by the priority control volume when the signal is inputted to the INPUT 1~2, EXT IN, CHIME and SIREN.

**10. EXT IN**

This line-level input connects the unit with an external mixer for expanded input channels.

**11. MIX OUT**

This line-level output connects the unit with an external mixdown deck or other recording source.

**12. AMP IN**

This input connects an external mixer or preamp with the unit's power amp. Inserting a plug into the Amp In jack will disconnect all input signal from the unit's internal mixer. Only signal from the external source will be heard.

**13. SPEAKER OUTPUT TERMINAL**

This terminal is for speaker wire connection.

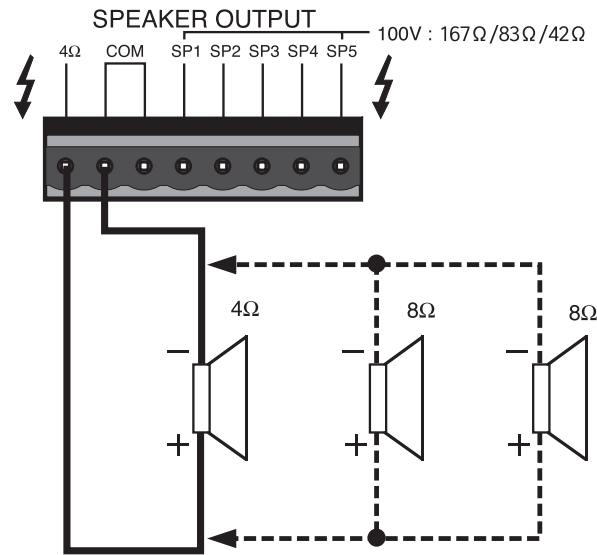
Connect speakers whose combined impedance is equal to or higher than the rated output impedance, as shown below.

MA-206U	15.5V/4Ω	100V/167Ω
MA-212U	22V/4Ω	100V/83Ω
MA-224U	31V/4Ω	100V/42Ω

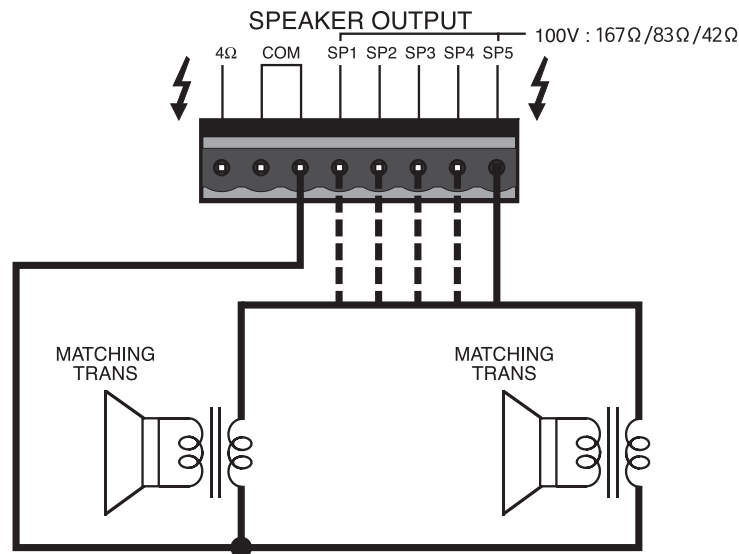
## Connecting Speakers

Before connecting speakers to your MA-206U/212U/224U unit, be sure to disconnect the AC power cable. Make certain that the total impedance is not less than the rated impedance indicated.

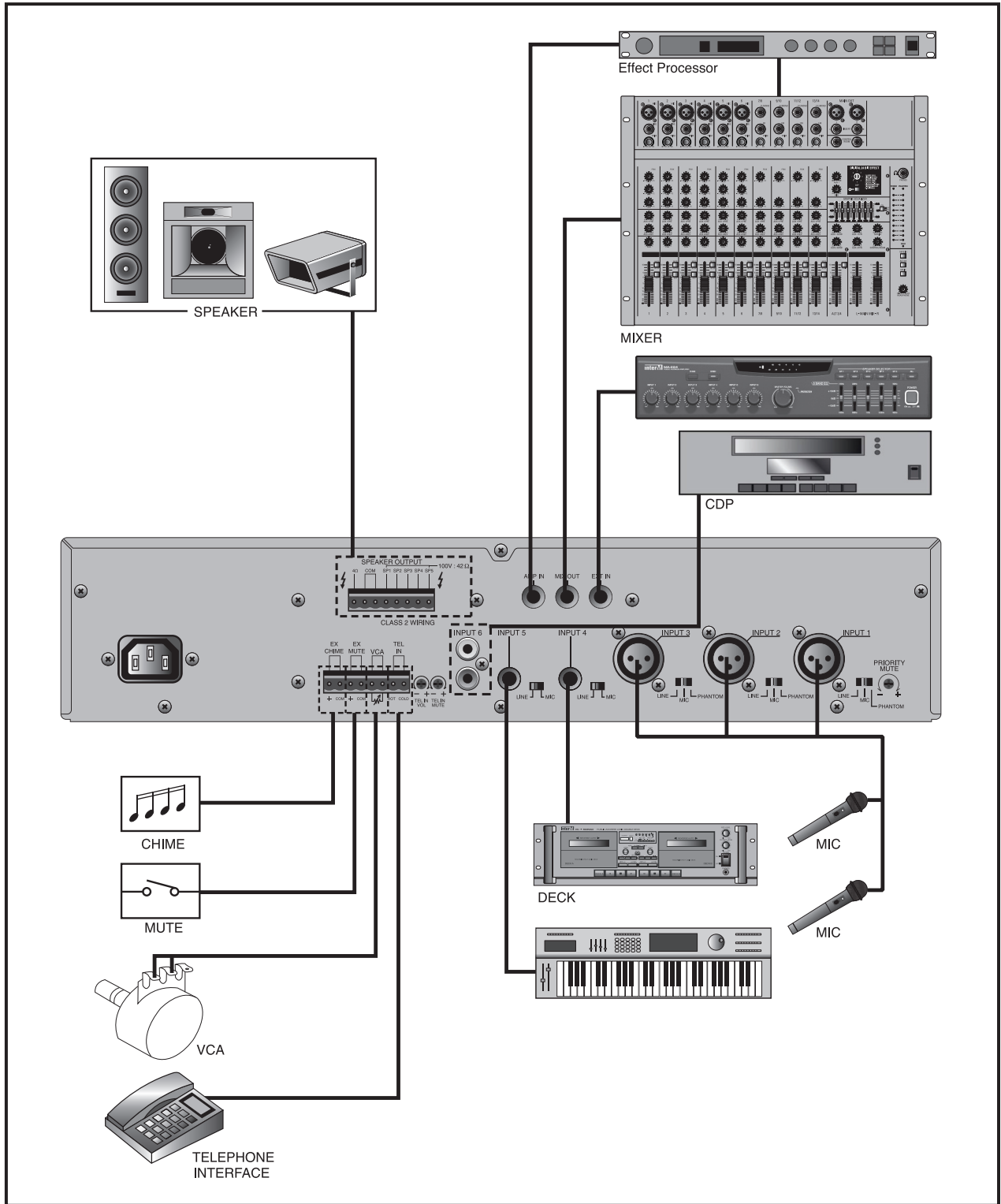
For 4Ω low impedance speakers, connect in parallel, with the positive (+) connectors to the 4Ω terminal and the negative (-) connectors to the COM terminal.



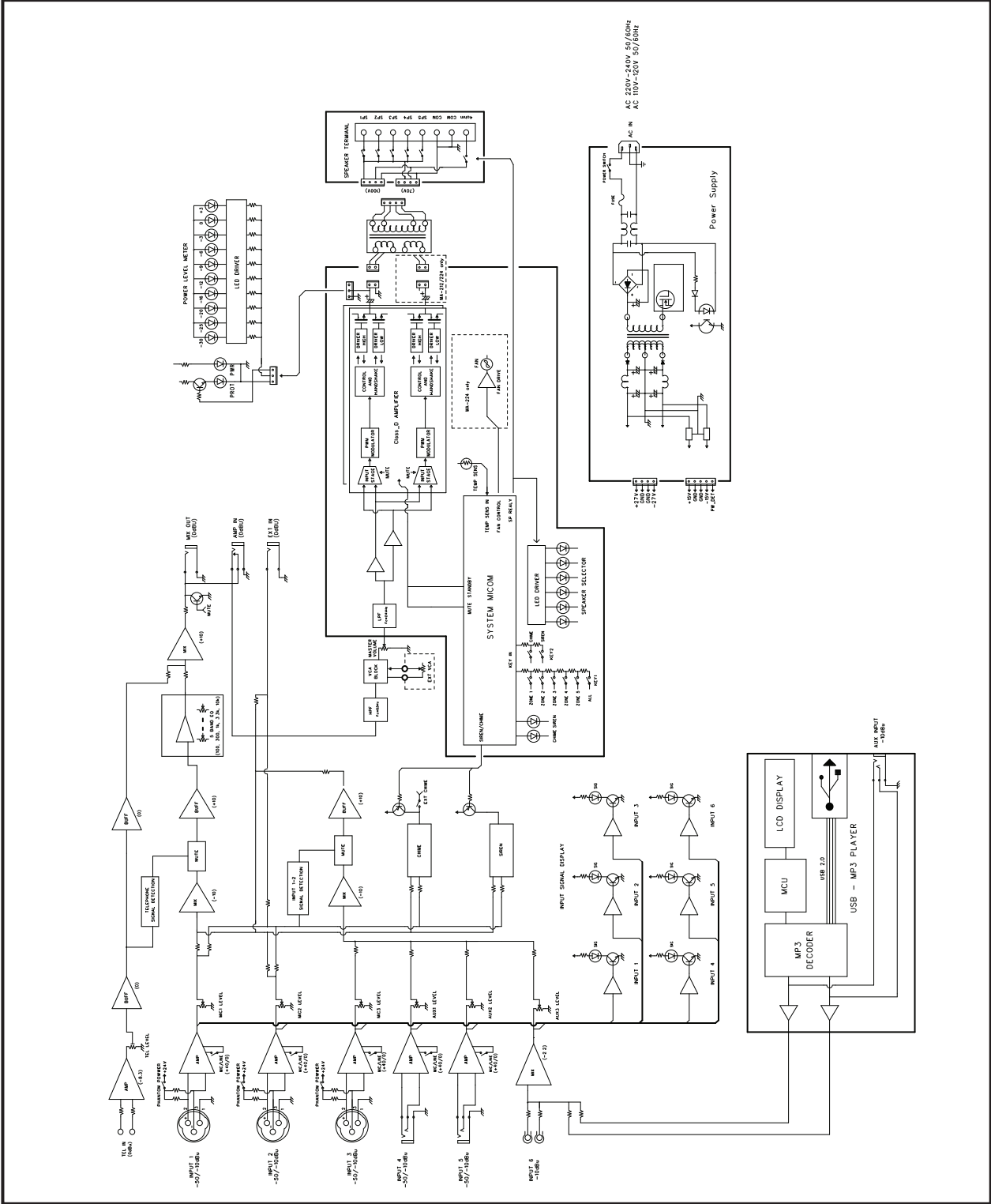
For high impedance systems, connect with matching transformer as the following Figure. Be certain that the total impedance does not equal less than the rated impedance.



# Applications



# Block Diagram



## Specifications

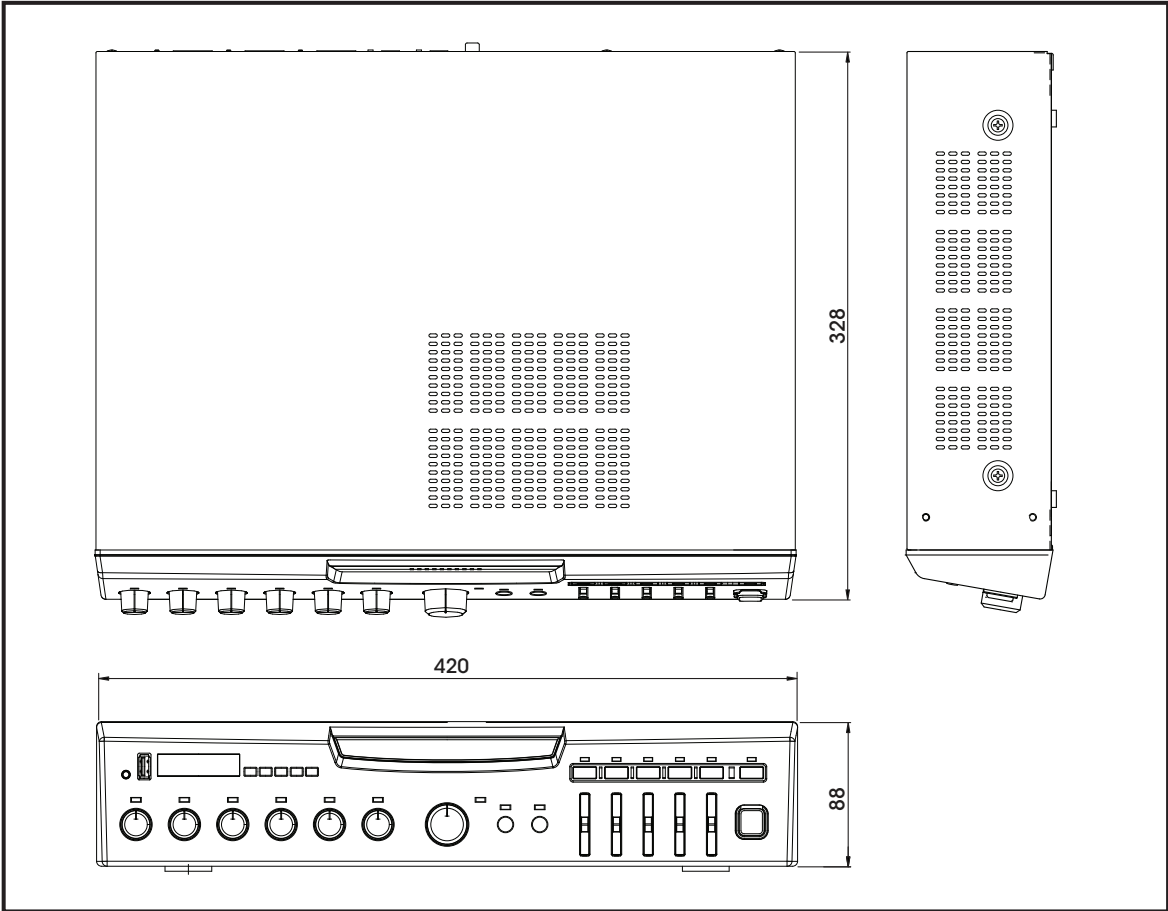
		MA-206U	MA-212U	MA-224U
Rated Output (RMS)		60W	120W	240W
Frequency Response (SP OUT/1W output)		80Hz - 15kHz		
Total Harmonic Distortion (T.H.D @ Rated output, 1kHz)		Less than 0.5%		
Signal to Noise Ratio (S/N @ Rated output)		Better than 78dB		
Graphic Equalizer (100Hz,330Hz,1kHz,3.3kHz,10kHz)		±12dB		
Input Sensitivity / Impedance				
Input 1~5	MIC	-50dBu / 2k $\Omega$		
	LINE	-10dBu / 2k $\Omega$		
Input 6		-10dBu / 10k $\Omega$		
Tel in		0dBu / 10k $\Omega$		
Ext in		0dBu / 20k $\Omega$		
Amp in		0dBu / 47k $\Omega$		
Mix out / Impedance		0dBu / 10k $\Omega$		
Speaker out / Impedance	LOW-Z	15.5V / 4 $\Omega$	22V / 4 $\Omega$	31V / 4 $\Omega$
	HIGH-Z	100V / 167 $\Omega$	100V / 83 $\Omega$	100V / 42 $\Omega$
Operating Temperature		-10 $^{\circ}$ C ~ +40 $^{\circ}$ C		
Power Source		220-240VAC; 50/60Hz		
Power Consumption		38W	50W	75W
Weight (SET)		5.4kg/11.9lb	6.7kg/14.8lb	8.0kg/17.6lb
Dimension (SET)		420(W) x 88(H) x 328(D)mm/16.5(W)x3.5(H)x12.9(D)in		

※ Specifications and design subject to change without notice.

※ Remark: 1. All specifications are measured with AES-17 filter.

2. This system is used digital Amplifier (PWM Modulation) so the PWM leakage signal will appear to output terminal, but it doesn't matter. You can't hear the PWM leakage sound because of PWM frequencies is very higher than Audio frequencies.

\* Dimensions



## Service

### Procedures

Take steps to insure the problem is not related to operator error or other products within the system. Information provided in the troubleshooting portion of this manual may help with this process. Once it is certain that the problem is related to the product contact your warranty provider as described in the warranty section of this manual.

### Schematic

A Schematic is available by contacting your warranty provider.

### Parts List

A Parts List is available by contacting your warranty provider.

## Variations and Options

### Variations

Products supplied through legitimate sources are compatible with local AC power requirements.

### Options

No optional items are available for this product.

## Warranty

Warranty terms and conditions vary by country and may not be the same for all products. Terms and conditions of warranty for a given product may be determined first by locating the appropriate country which the product was purchased in, then by locating the product type.

To obtain specific warranty information and available service locations contact Inter-M directly or the authorized Inter-M Distributor for your specific country or region.









# interM



Inter-M, Ltd. (Korea) began operations in 1983.

Since then, Inter-M has grown to become one of the largest manufacturers of professional audio and commercial sound electronics equipment in the world.

Inter-M has gained worldwide recognition for its own branded products, as well as private label manufacturing of electronics sold under other names (OEM).

The company is no longer just a Korean company, but rather a global company that is truly international in scope, with factories and offices in Korea and China, and sales and marketing operations located in Japan, Europe, and the U.S.A.

With more than 850 employees around the globe, Inter-M is well-poised for further growth and expansion.

**Inter-M Americas, INC.**

5666 CORPORATE AVE. CYPRESS, CA 90630  
TEL : +1-714-828-2200, FAX : +1-714-828-2210  
Home Page : <http://www.inter-m.net>, E-mail : [info@inter-m.net](mailto:info@inter-m.net)

**Inter-M Corporation**

SEOUL OFFICE : 719, DOBONG-RO, DOBONG-GU, SEOUL, KOREA  
TEL : +82-2-2289-8140~8, FAX : +82-2-2289-8149  
Home Page : <http://www.inter-m.com>, E-mail : [overseas@inter-m.com](mailto:overseas@inter-m.com)

**MADE IN KOREA**  
June 2013 132307