

# APT Speaker

# CS-301FC/303FC/301FQ/303FQ

CS-301FC/303FC



CS-301FQ/303FQ



## FEATURES

- ⌘ 1 WAY Apart Speaker System
- ⌘ High-quality matching trans
- ⌘ The beautiful and graceful cabinet design

## SPECIFICATIONS

| Model                    |      | CS-301FC                           | CS-303FC        | CS-301FQ                             | CS-303FQ        |
|--------------------------|------|------------------------------------|-----------------|--------------------------------------|-----------------|
| Unit                     |      |                                    |                 | 3"                                   |                 |
| Power Handling (AES)     |      | 1W                                 | 3W              | 1W                                   | 3W              |
| Input Power              | 100V | 1W                                 | 3W              | 1W                                   | 3W              |
|                          | 70V  | -                                  | -               | -                                    | -               |
| Impedance                | 100V | 10kΩ                               | 3.14kΩ          | 10kΩ                                 | 3.14kΩ          |
|                          | 70V  | -                                  | -               | -                                    | -               |
|                          | LOW  | -                                  | -               | -                                    | -               |
| Frequency Range (-20%)   |      | 230Hz~20kHz                        | 180Hz~19.5kHz   | 220Hz~20kHz                          | 180Hz~20kHz     |
| Sensitivity (1W/1m)      |      | 80dB                               | 83dB            | 79dB                                 | 82dB            |
| Maximum SPL [Cont]       |      | 80dB                               | 88dB            | 79dB                                 | 87dB            |
| Nominal Dispersion (HxV) | 1kHz | 147°                               | 151°            | 137°                                 | 142°            |
|                          | 4kHz | 114°                               | 74°             | 115°                                 | 73°             |
| Weight (Net)             |      | 0.17kg / 0.37lb                    | 0.20kg / 0.44lb | 0.19kg / 0.41lb                      | 0.22kg / 0.48lb |
| Dimensions (Net, WxHxD)  |      | 126(Φ) x 42(D)mm / 5(Φ) x 1.7(D)in |                 | 120 x 120 x 49mm / 4.7 x 4.7 x 1.9in |                 |

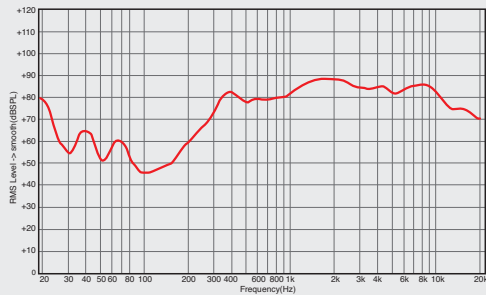
\* Design and specification are subject to be changed for the improvement of product quality without pre notice.

# CS-301FC/303FC/301FQ/303FQ

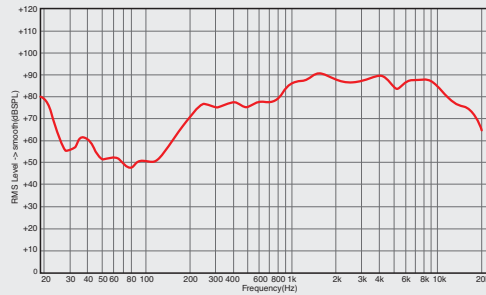


## FREQUENCY RESPONSE

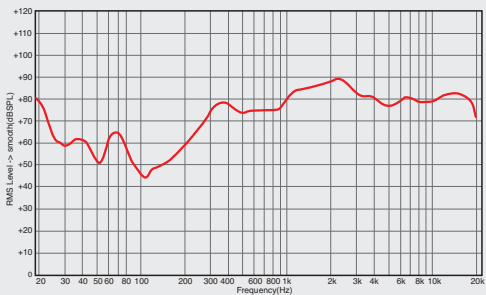
▶ CS-301FC



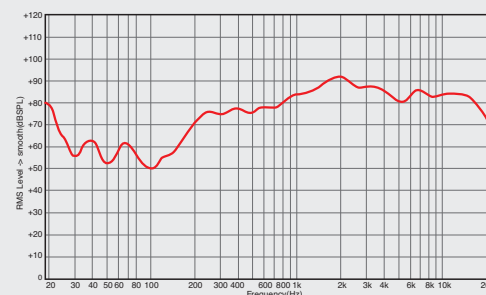
▶ CS-303FC



▶ CS-301FQ

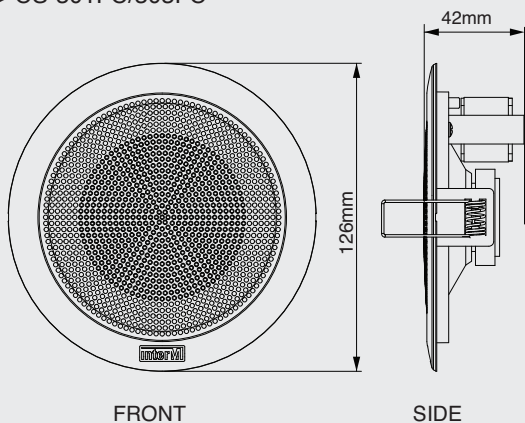


▶ CS-303FQ



## DIMENSIONAL

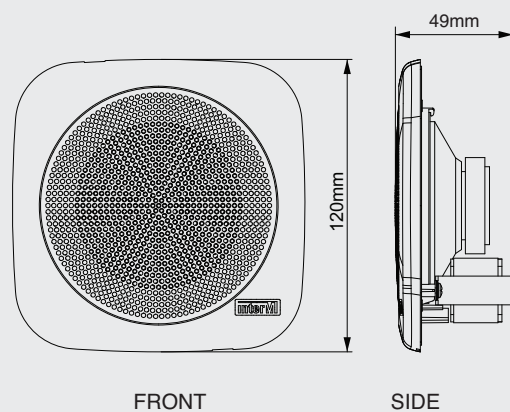
▶ CS-301FC/303FC



FRONT

SIDE

▶ CS-301FQ/303FQ



FRONT

SIDE

\*CS-301FC/303FC  
HOLE SIZE :  $\phi$ 110~115mm

### Inter-M Corporation

- Office : 719, DOBONG-RO, DOBONG-GU, SEOUL, KOREA  
- Tel : +82-2-2289-8140~8, Fax : +82-2-2289-8149  
- Home page: <http://www.inter-m.com>, E-mail: [overseas@inter-m.com](mailto:overseas@inter-m.com)

### Inter-M Corp. (IMA)

- Office : 5666 CORPORATE AVE. CYPRESS, CA 90630  
- Tel : +1-714-828-2200, Fax : +1-714-828-2210  
- E-mail : [info@inter-m.net](mailto:info@inter-m.net), Home Page : [www.inter-m.net](http://www.inter-m.net)