

CEILING SPEAKER

CS-610F/615F/620FH/630FH



FEATURES

CS-610F/615F

- ✦ Contains a premium grade speaker unit
- ✦ Best reliability
- ✦ The beautiful and graceful cabinet design
- ✦ Easy installing and convenience
- ✦ Full Range of 1 way speaker system (6.5" unit)
- ✦ Multi-tap switch offers an easy way to change taps on a transformer

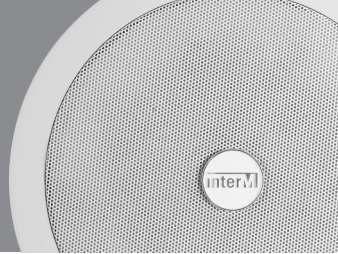
CS-620FH/630FH

- ✦ Contains a premium grade speaker unit
- ✦ Best reliability
- ✦ The beautiful and graceful cabinet design
- ✦ Easy installing and convenience
- ✦ 2 Way speaker system (6.5" -2way coaxial type)
- ✦ Multi-tap switch offers an easy way to change taps on a transformer

SPECIFICATIONS

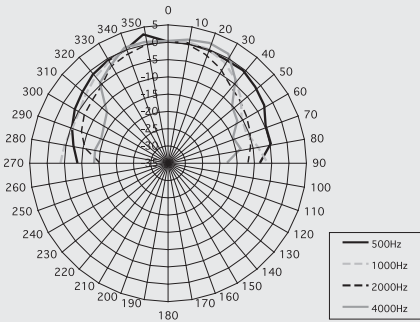
Model	CS-610F	CS-615F	CS-620FH	CS-630FH
Unit	6.5"			
Power Handling (AES)	10W	15W	20W	30W
Input Power	100V	-	-	-
	70V	10W/5W/3W	15W/7.5W/3.8W	20W/10W/5W
Impedance	100V	-	-	-
	70V	500Ω/1KΩ/1.6KΩ	330Ω/660Ω/1.3KΩ	250Ω/500Ω/1KΩ
	LOW	8Ω	8Ω	8Ω
Frequency Range (-20%)	120Hz~15kHz	160Hz~16kHz	90Hz~20kHz	104Hz~20kHz
Sensitivity (1W/1m)	94dB	93dB	88dB	91dB
Maximum SPL[Cont]	104dB	105dB	101dB	106dB
Weight (Net)	860g/1.89lb	880g/1.94lb	2kg/4.4lb	2.4kg/5.29lb
Dimensions (Net, WxHxD, mm)	230(ø)x100(D)mm / 9(ø)x4(D)in		230(ø)x168(D)mm / 9(ø)x6.6(D)in	

* Design and specification are subject to be changed for the improvement of product quality without pre notice.

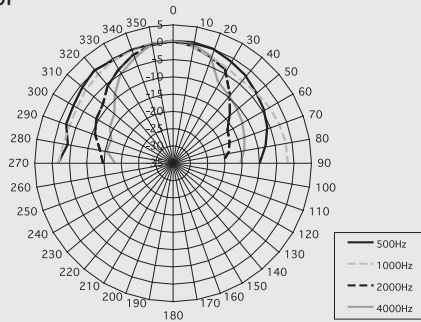


Polar Diagram

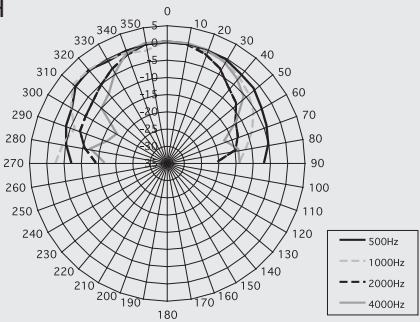
► CS-610F



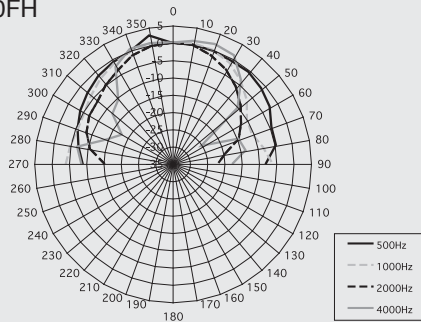
► CS-615F



► CS-620FH

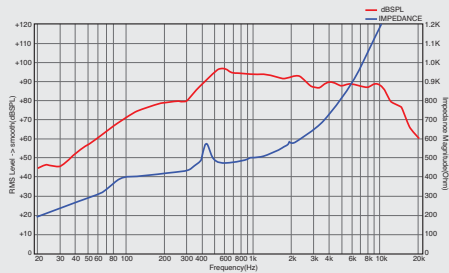


► CS-630FH

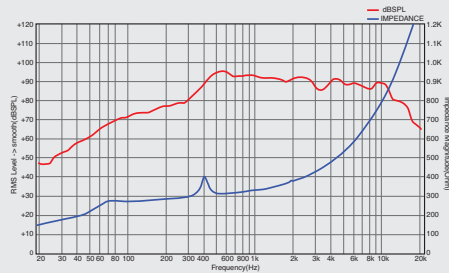


Frequency Response

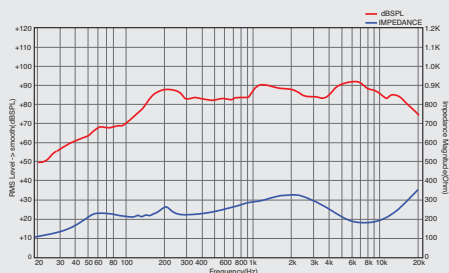
► CS-610F



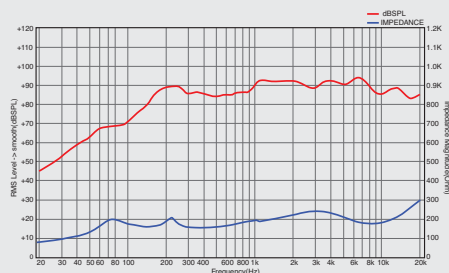
► CS-615F



► CS-620FH



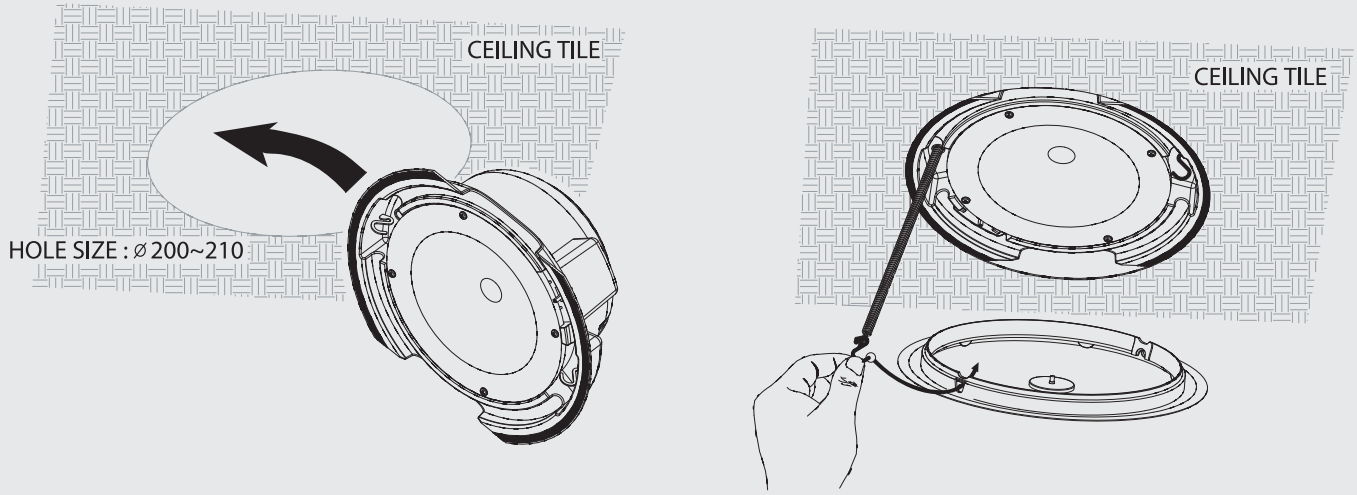
► CS-630FH



CS-610F/615F/620FH/630FH

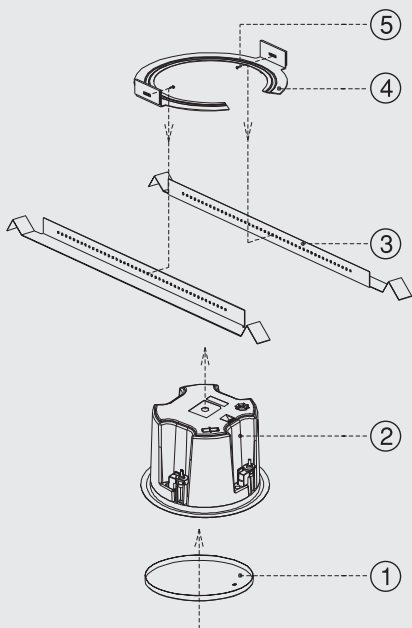
Inserting Speaker Into Ceiling

▶ CS-610F/615F

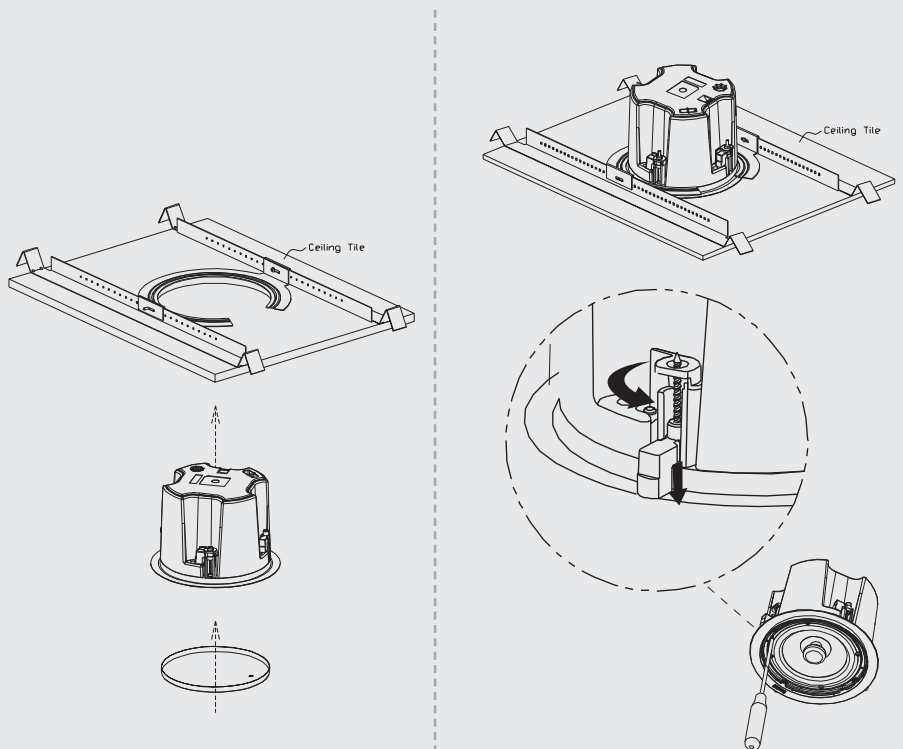


Ceiling Speaker Part-List/Inserting Speaker Into Ceiling

▶ CS-620FH/630FH



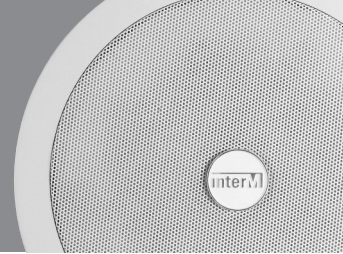
5	SCREW 1WPTC 4 x 12B	2
4	BKT-RING	1
3	BKT-RAIL	2
2	SET	1
1	GRILL COVER	1
NO	NAME	QTY



※ Ceiling Hole Size : Ø200~Ø205

1. Turn clockwise and fit carefully until approaching ceiling or BKT-RING.
2. Put GRILL-COVER on the hall of SET and press to be combined.

CS-610F/615F/620FH/630FH

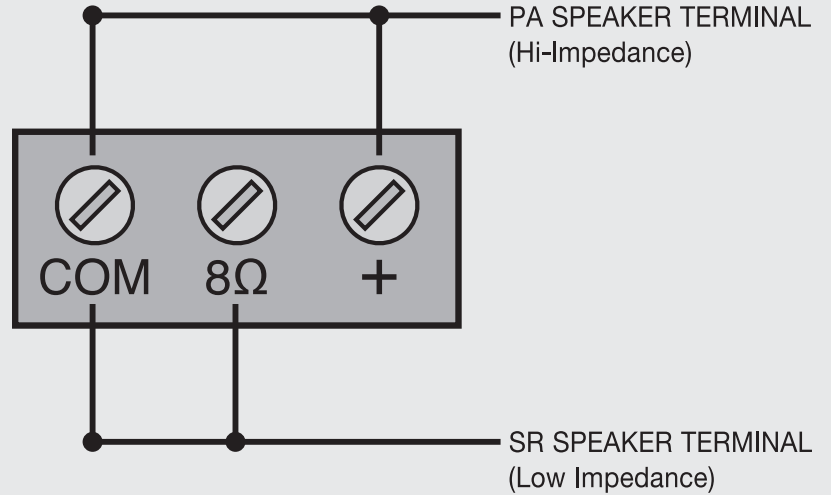


INPUT TERMINAL

► CS-610F/615F

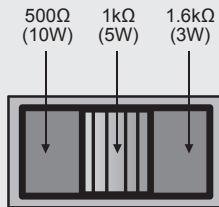
COM(-) BLACK
 (+) RED

► CS-620FH/630FH



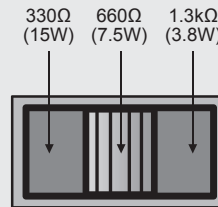
OUTPUT TERMINAL

► CS-610F



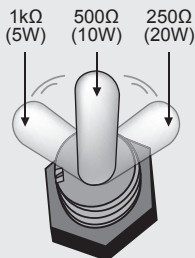
PA SPEAKER 10W / 5W / 3W
 The impedance switch selects a different range of values on a transformer

► CS-615F



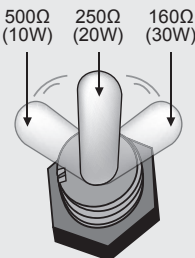
PA SPEAKER 15W / 7.5W / 3.8W
 The impedance switch selects a different range of values on a transformer

► CS-620FH



PA SPEAKER 5W / 10W / 20W
 The impedance switch selects a different range of values on a transformer

► CS-630FH



PA SPEAKER 10W / 20W / 30W
 The impedance switch selects a different range of values on a transformer

Inter-M Corporation

- Office : 719, DOBONG-RO, DOBONG-GU, SEOUL, KOREA
 - Tel : +82-2-2289-8140~8, Fax : +82-2-2289-8149
 - Home page: <http://www.inter-m.com>, E-mail: overseas@inter-m.com

Inter-M Corp. (IMA)

- Office : 5666 CORPORATE AVE. CYPRESS, CA 90630
 - Tel : +1-714-828-2200, Fax : +1-714-828-2210
 - E-mail : info@inter-m.net, Home Page : www.inter-m.net