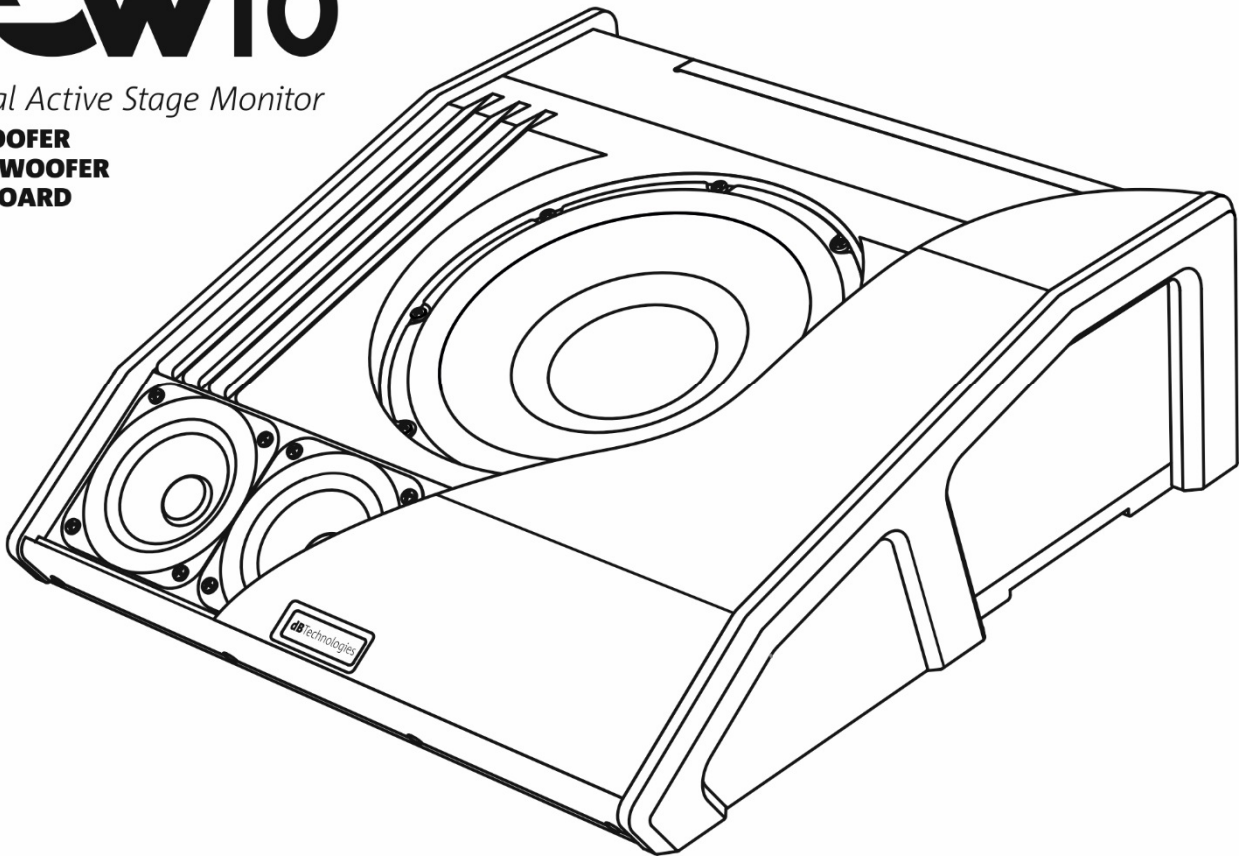


W10

Professional Active Stage Monitor

1x 10" LF WOOFER
4x 4" MF-HF WOOFER
RNet ON BOARD



Quick start user manual

Section 1

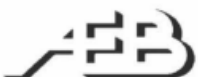
The warnings in this manual must be observed together with the "USER MANUAL - Section 2".

Le avvertenze nel presente manuale devono essere osservate congiuntamente al "MANUALE D'USO - Sezione 2".

Die Warnungen in diesem Handbuch müssen in Verbindung mit der "BEDIENUNGSANLEITUNG - Abschnitt 2" beobachtet werden".

Les avertissements spécifiés dans ce manuel doivent être respectés ainsi que les "CARACTERISTIQUES TECHNIQUES - Section 2"

Las advertencias del presente manual se deben tener en cuenta conjuntamente con las del "MANUAL DEL USUARIO" - Sección 2".



A.E.B. Industriale Srl Via Brodolini, 8 Località Crespellano 40053 VALSAMOGGIA BOLOGNA (ITALIA)
Tel +39 051 969870 Fax +39 051 969725 www.dbtechnologies.com info@dbtechnologies-aeb.com



Thank you for choosing a dBTechnologies Product!

The ViO W10 is a lightweight and versatile wedge monitor, designed for the use in live or installed scenarios, with a low profile shape. It is equipped with four 4" MD HF neodymium speakers (1" voice coil), and one 10" woofer (2.5" voice coil). The dispersion pattern can be controlled thanks to a DSP rotary controller for many scenarios. RNet connections enhance the control possibilities in complex multiple installations, thanks to the free AURORA NET software capabilities.

Check the site www.dbtechnologies.com for the complete user manual!

1) Unpacking

The box contains:

No. 1 W10 monitor

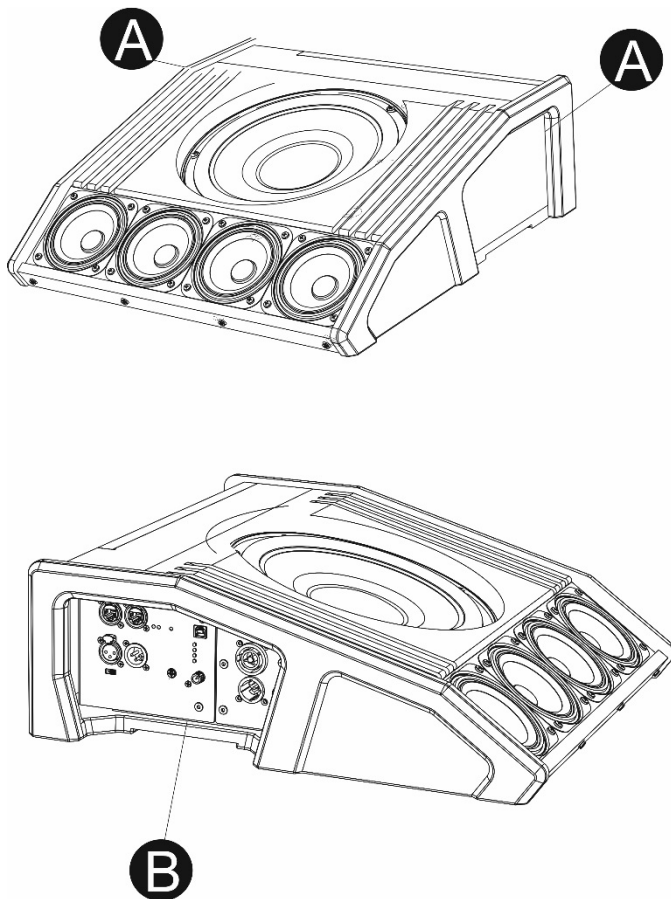
No. 1 fuse

No. 1 Mains cable

This quick start and warranty documentation

2) Easy installation

W10 is equipped with:



The dispersion pattern can be controlled by the user, thanks to different user presets. The digital steering is controlled by the internal DSP, which implements advanced FIR filters.

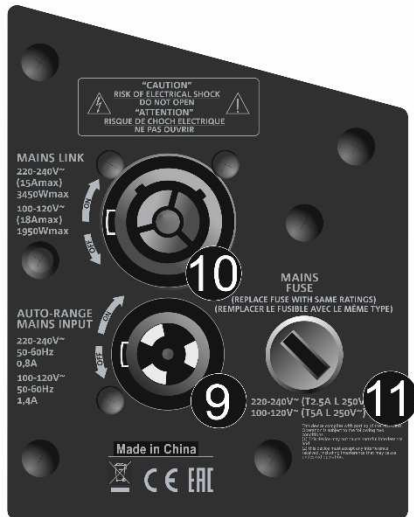
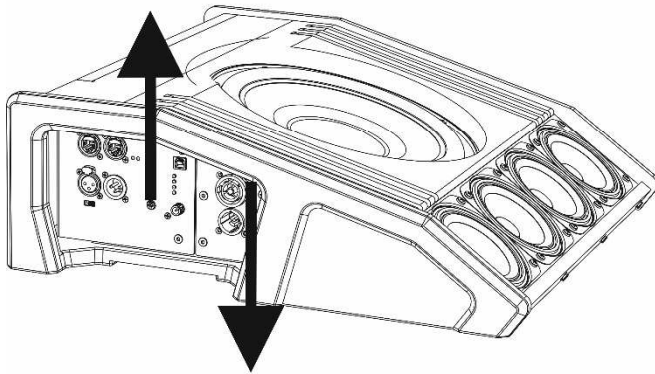
Handles (A) for easy handling

Lateral amplifier control panel (B), for a quick and discrete cable management.



NEVER USE THE HANDLES TO SUSPEND THE SPEAKER!

3) Amplifier control panel:



- 1-Balanced input (XLR connector type)
- 2-Input attenuation control
- 3-Input sensitivity type switch (MIC/LINE)
- 4-Balanced output Link (XLR connector type)
- 5-Coverage/filter preset rotary
- 6-RDNet DATA IN/OUT
- 7-CONTROL LEDs
- 8-USB DATA SERVICE
- 9-Auto-range Mains Input
- 10-Mains Link
- 11-Mains Fuse

a) Connect the audio input [1]. In case of dynamic microphone, select “MIC” in input sensitivity switch [3], otherwise select “LINE”. Adjust the Input Attenuation level [2].

b) If you need to send the audio signal to a second speaker, connect the “Output Link” [4] to the Input on [1] of another W10 (for example) using a cable with XLR (balanced) connector.

c) Set properly the DSP Coverage Preset [5], choosing between:

- 1-STANDARD
 - 2-NARROW
 - 3-WIDE
 - 4-FAR
- 120 HPF – HPF 120 Hz – (a high-pass filter which can be applied to 2, 3, 4 positions)

d) In case of remote control, connect the proper Data Input [6] to the hardware remote controller (RDNet Control 2 or RDNet Control 8) with cables equipped with etherCON connectors. Then connect the Data Output [6] to the Data Input [6] of a second w10, and so on. When the RDNet network is on and it has recognized the connected device, the LED “Link” [6] is on. The other LED [6] “Active” start blinking when there is the presence of data transmission, the “Remote Preset Active” advise that all the local controls set on the amplifier panel (level, DSP presets, etc.) are by-passed and controlled remotely by the software AURORA NET. See also RDNet Control 2, Control 8 and AURORA NET user manuals for further information.

e) Plug the mains Input [9] and Link [10] (powerCON True1) cables. The Signal/ON led [7] starts blinking, signaling the presence of audio signal.

WARNING

The speaker is supplied with a mounted fuse for operation within the 220-240V~ range. If you need to operate in the 110-120V~ voltage range:

1. Disconnect all connections, including the power supply.
2. Wait for 5 minutes.
3. Replace the fuse with the one provided in the package for the 100-120V~ range

Check the complete user manual on www.dbtechnologies.com for further information about the system and available accessories.

Scarica il manuale completo da www.dbtechnologies.com per ogni ulteriore informazione sul sistema e sugli accessori disponibili.

Für weitere Informationen und verfügbares Zubehör lesen sie bitte die vollständige Bedienungsanleitung unter www.dbtechnologies.de.

Vérifiez le manuel de l'utilisateur complet sur www.dbtechnologies.com pour des informations complémentaires du système et des accessoires disponibles.

Compruebe el manual de usuario completo sobre www.dbtechnologies.com para la información adicional sobre el sistema y accesorios disponibles.

Technical Data

Speaker Type: 2-way wooden wedge monitor
MD-HF: (4x) 4 " Exit (NEODYMIUM)
HF voice coil: 1"
LF: 10"
LF Voice Coil: 2.5"
SPL: 126 dB
Frequency response (-10 dB): 58 – 15000 Hz
Frequency response (-6 dB): 68 – 14000 Hz
Crossover frequency: Steering depending

Amplifier

Amp Technology: Digipro® G3 Auto-range
Amp Class: Class-D
RMS Power: 400 W
Peak Power: 800 W

Operating voltage:

220-240V~ (50-60 Hz) or 100-120V~ (50-60 Hz)
Auto-range Mains

Processor

Controller: 28/56 bit DSP
AD/DA converter: 24 bit/48 kHz
Advanced DSP function: FIR Filters
Limiter: Peak, RMS, Thermal
Controls: 1 DSP rotary encoder, 1 input sensitivity encoder, status LED, RDNet status LED

Input/Output

Mains/link connections: powerCON® TRUE1 type
Signal Input/Link: Balanced XLR type
RDNet connections: Data in, Data out
Daisy chain power connection (max number of W10): 20 (1+19) (220-240V~) / 14 (1+13) (100-120V~)

Mechanics

Housing: Wooden box
Grille: Full grille
Width: 450 mm (17.71 in)
Height: 165 mm (6.49 in)
Depth: 480 mm (18.89 in)
Weight: 13,7 kg (32 lbs.)

Download the complete user manual on:

www.dbtechnologies.com/EN/Downloads.aspx



POWER SUPPLY SPECIFICATIONS (POWER ABSORPTION)

Draw at 1/3 of full power in maximum use conditions (*): 0.8 A (220-240V~) - 1.4 A (100-120V~)
Power absorption with speaker turned on without signal (idle): 20 W

* INSTALLER NOTES: The values refer to 1/3 of full power, in heavy operating conditions (music program with frequent clipping or activation of the limiter). We recommend sizing according to these values in case of professional installations and tours.

EMI CLASSIFICATION

According to the standards EN 55103 this equipment is designed and suitable to operate in E3 (or lower E2, E1) Electromagnetic environments.
FCC CLASS B STATEMENT ACCORDING TO TITLE 47, PART 15, SUBPART B, §15.105

This equipment has been tested and found to comply with the limits for a Class B digital device, pursuant to part 15 of the FCC Rules. These limits are designed to provide reasonable protection against harmful interference in a residential installation.

This equipment generates, uses and can radiate radio frequency energy and, if not installed and used in accordance with the instructions, may cause harmful interference to radio communications.

However, there is no guarantee that interference will not occur in a particular installation. If this equipment does cause harmful interference to radio or television reception, which can be determined by turning the equipment off and on, the user is encouraged to try to correct the interference by one or more of the following measures:

1. Reorient or relocate the receiving antenna.
2. Increase the separation between the equipment and receiver.
3. Connect the equipment into an outlet on a circuit different from that to which the receiver is connected.
4. Consult the dealer or an experienced radio/TV technician for help.

Changes or modifications not expressly approved by the party responsible for compliance could void the user's authority to operate the equipment.

WARNING: Make sure that the loudspeaker is securely installed in a stable position to avoid any injuries or damages to persons or properties. For safety reasons do not place one loudspeaker on top of another without proper fastening systems. Before hanging the loudspeaker check all the components for damages, deformations, missing or damaged parts that may compromise safety during installation. If you use the loudspeakers outdoor avoid spots exposed to bad weather conditions. Contact dB Technologies for accessories to be used with speakers. dBTechnologies will not accept any responsibility for damages caused by inappropriate accessories or additional devices.

Features, specification and appearance of products are subject to change without notice.

dBTechnologies reserves the right to make changes or improvements in design or manufacturing without assuming any obligation to change or improve products previously manufactured.