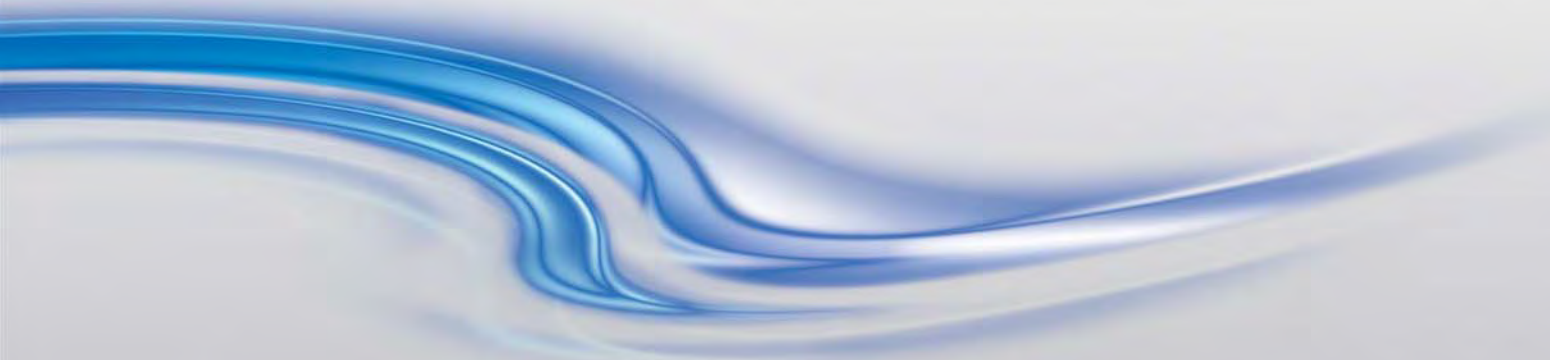


Quick Start Guide

020-101944-01

Mirage M Series



Quick Start Guide

020-101944-01

Mirage M Series

NOTICES

COPYRIGHT AND TRADEMARKS

Copyright ©2015 Christie Digital Systems USA Inc. All rights reserved.

All brand names and product names are trademarks, registered trademarks or trade names of their respective holders.

GENERAL

Every effort has been made to ensure accuracy, however in some cases changes in the products or availability could occur which may not be reflected in this document. Christie reserves the right to make changes to specifications at any time without notice. Performance specifications are typical, but may vary depending on conditions beyond Christie's control such as maintenance of the product in proper working conditions. Performance specifications are based on information available at the time of printing. Christie makes no warranty of any kind with regard to this material, including, but not limited to, implied warranties of fitness for a particular purpose. Christie will not be liable for errors contained herein or for incidental or consequential damages in connection with the performance or use of this material. Canadian manufacturing facility is ISO 9001 and 14001 certified.

WARRANTY

Products are warranted under Christie's standard limited warranty, the complete details of which are available by contacting your Christie dealer or Christie. In addition to the other limitations that may be specified in Christie's standard limited warranty and, to the extent relevant or applicable to your product, the warranty does not cover:

- a. Problems or damage occurring during shipment, in either direction.
- b. Projector lamps (See Christie's separate lamp program policy).
- c. Problems or damage caused by use of a projector lamp beyond the recommended lamp life, or use of a lamp other than a Christie lamp supplied by Christie or an authorized distributor of Christie lamps.
- d. Problems or damage caused by combination of a product with non-Christie equipment, such as distribution systems, cameras, DVD players, etc., or use of a product with any non-Christie interface device.
- e. Problems or damage caused by the use of any lamp, replacement part or component purchased or obtained from an unauthorized distributor of Christie lamps, replacement parts or components including, without limitation, any distributor offering Christie lamps, replacement parts or components through the internet (confirmation of authorized distributors may be obtained from Christie).
- f. Problems or damage caused by misuse, improper power source, accident, fire, flood, lightning, earthquake or other natural disaster.
- g. Problems or damage caused by improper installation/alignment, or by equipment modification, if by other than Christie service personnel or a Christie authorized repair service provider.
- h. Problems or damage caused by use of a product on a motion platform or other movable device where such product has not been designed, modified or approved by Christie for such use.
- i. Problems or damage caused by use of a projector in the presence of an oil-based fog machine or laser-based lighting that is unrelated to the projector.
- j. For LCD projectors, the warranty period specified in the warranty applies only where the LCD projector is in "normal use" which means the LCD projector is not used more than 8 hours a day, 5 days a week.
- k. Except where the product is designed for outdoor use, problems or damage caused by use of the product outdoors unless such product is protected from precipitation or other adverse weather or environmental conditions and the ambient temperature is within the recommended ambient temperature set forth in the specifications for such product.
- l. Image retention on LCD flat panels.
- m. Defects caused by normal wear and tear or otherwise due to normal aging of a product.

The warranty does not apply to any product where the serial number has been removed or obliterated. The warranty also does not apply to any product sold by a reseller to an end user outside of the country where the reseller is located unless (i) Christie has an office in the country where the end user is located or (ii) the required international warranty fee has been paid.

The warranty does not obligate Christie to provide any on site warranty service at the product site location.

PREVENTATIVE MAINTENANCE

Preventative maintenance is an important part of the continued and proper operation of your product. Please see the Maintenance section for specific maintenance items as they relate to your product. Failure to perform maintenance as required, and in accordance with the maintenance schedule specified by Christie, will void the warranty.


REGULATORY

The product has been tested and found to comply with the limits for a Class A digital device, pursuant to Part 15 of the FCC Rules. These limits are designed to provide reasonable protection against harmful interference when the product is operated in a commercial environment. The product generates, uses, and can radiate radio frequency energy and, if not installed and used in accordance with the instruction manual, may cause harmful interference to radio communications. Operation of the product in a residential area is likely to cause harmful interference in which case the user will be required to correct the interference at the user's own expense.

CAN ICES-3 (A) / NMB-3 (A)

이 기기는 업무용 (A 급) 으로 전자파적합등록을 한 기기이오니 판매자 또는 사용자는 이점을 주의하시기 바라며, 가정 외의 지역에서 사용하는 것을 목적으로 합니다.

Environmental

The product is designed and manufactured with high-quality materials and components that can be recycled and reused. This symbol  means that electrical and electronic equipment, at their end-of-life, should be disposed of separately from regular waste. Please dispose of the product appropriately and according to local regulations. In the European Union, there are separate collection systems for used electrical and electronic products. Please help us to conserve the environment we live in!

Content

Introduction	7
Purchase record and service contacts	7
Projector overview	8
How the projector works	8
User interface overview	8
List of components	8
Key features	9
Safety warnings and guidelines	10
General Precautions	10
AC/power precautions	10
Lamp precautions	10
Installation and Setup	11
Installing a projection lens	11
Positioning the projector	13
Connecting a source	13
Connecting the line cord	14
Powering on the projector	14
Selecting a source	14
Adjusting the image	14
Mounting the projector	15
Ceiling mount	15
Special mounting	15
Stacking projectors in a frame	15
Stacking multiple projectors	16
Stacking alignment	17
Aligning the image	18
Aligning boresight	19
Powering down the projector	21
Projector communications	22
Status LEDs	22
Specifications	24
Pixel Format	24
Contrast	24

Gamma	24
Grayscale/Color Resolution	24
Color Temperature	25
Input (Source Signal) Compatibility	25
Analog (Only) Input	25
Twin HDMI Input	25
Dual Link DVI Input	26
Video Decoder Input	26
Dual 3G/HD/SD-SDI	26
DisplayPort Input	26
Power Requirements	27
Physical Specifications	27
Size	27
Weight	27
Environment	28
Temperature/Humidity/Altitude	28
Regulatory	28
Safety	28
Electro-Magnetic Compatibility	28
Environmental	28
Marking	29

Introduction

This manual is intended for trained users operating professional high-brightness projection systems. Such users may also be trained to replace the lamp and air filter, but cannot install the projector or perform any service functions on the M Series projector.

Only Christie accredited technicians knowledgeable about all potential hazards associated with high voltage, ultraviolet exposure and high temperatures generated by the lamp and associated circuits are authorized to assemble/install the projector and perform service functions inside the projector.

Purchase record and service contacts

Whether the projector is under warranty or the warranty has expired, Christie's highly trained and extensive factory and dealer service network is always available to quickly diagnose and correct projector malfunctions. Complete service manuals and updates are available for all projectors. Should a problem be encountered with any part of the projector, contact your dealer. In most cases, servicing is performed on site. If you have purchased the projector, fill out the information below and keep with your records.

Dealer:
Dealer or Christie Sales/Service Contact Phone Number:
Projector Serial Number*:
Purchase Date:
Installation Date:

* The serial number can be found on the license label located on the back of the projector.

Default Gateway:
DNS Server:
Projector DLP Address:
Projector Mgmt IP Address:
Subnet Mask:

Projector overview

The Mirage M Series is a family of high resolution video/graphics three chip 1080p HD, SXGA+, and WUXGA projectors. These projectors are based on next generation DLP™ technology provided by Texas Instruments.

Model name	Part number
Mirage DS+10K-M2	118-053109-XX
Mirage DS+14K-M2	118-050117-XX
Mirage HD10K-M2	118-051107-XX
Mirage HD10K-M2 (Runco Model)	118-051208-XX
Mirage HD14K-M	118-059105-XX
Mirage WU12K-M	118-055101-XX
Mirage WU14K-M	118-051118-XX

How the projector works

The projector accepts data/graphics and video input signals for projection onto front or rear screens. Light is generated by dual mercury lamps, then modulated by three Digital Micro-mirror Device (DMD) panels that provide digitized red, green or blue color information. Light from the “ON” pixels of each panel is reflected, converged, and then projected to the screen through a single front lens, where all pixels are perfectly superimposed as a sharp full-color image.

User interface overview

The projector is controlled through a menu system displayed on the image. The menu system is controlled by an IR remote, wired remote, or through the built-in keypad. The LCD screen and built-in keypad allow some functions to be controlled without the need of an OSD display, and provide an accessible interface to view error reporting. The functions on the OSD can also be controlled using the Christie Serial Protocol, through a serial or Ethernet connection to the projector. The Web interface provides access to the menu system as a Virtual OSD (On-screen display) and to features that maintain the software and settings.

List of components

Ensure the following components were received with the projector:

- IR remote keypad (includes two, 1.5V AA batteries and an XLR to mini-stereo cable conversion to wired)
- Line cord
- Lens Mount Security Screw (M6x10mm long, Qty. 2)
- Lens Mount Security Screw (5mm Hex, Qty. 1)
- Warranty Card

- Web Registration Form

Key features

- Up to 14,000 lumens
- HD (1080p), SXGA+, or WUXGA resolution
- Dual Mercury lamp illumination with 350W and 450W options
- Contrast aperture providing up to 10,000:1 contrast ratio (available on 350W models)
- Ultra-compact design and weighs less than 55lbs
- 10-bit image processor electronics with modular design
- Fully sealed optical system
- Active fan control for minimum noise level
- Selectable, motorized Yellow Notch Filter for expanded color gamut
- User interchangeable projection lenses with no-tool mounting
- Picture-in-picture (PIP)
- LiteLOC™ for constant brightness maintenance
- Intelligent Lens System (ILS)
- Motorized lens mount for all models
- Auto-setup feature
- Integrated ChristieNET
- Networking ability through RS232 and RS422 connectors
- Status LED display on built-in keypad for easy projector status monitoring
- Control with remote keypad, wired remote, or built-in keypad
- Four input slots for Optional Input Modules

Safety warnings and guidelines

General Precautions



Danger! Failure to comply with the following results in death or serious injury.

- FIRE HAZARD. Keep hands, clothes and all combustible material away from the concentrated light beam of the projector. Position all cables where they cannot contact hot surfaces or be pulled or tripped over.



Warning! Failure to comply with the following could result in death or serious injury.

- All installation and maintenance procedures must be performed by a Christie qualified technician.



Warning! Failure to comply with the following could result in death or serious injury.

- Projector must be operated in an environment that meets operating specifications.

AC/power precautions



Warning! Failure to comply with the following could result in death or serious injury.

- Use only the AC power cord supplied. Do not attempt operation if the AC supply and cord are not within the specified voltage and power range. See the license label on the back of the projector for rated voltage and power.



Warning! Failure to comply with the following could result in death or serious injury.

- The projector is equipped with a three-wire plug with a grounding pin. This is a safety feature. If you are unable to insert the plug into the outlet, contact an electrician to have the outlet replaced. NEVER defeat the safety purpose of the grounding-type plug.



Warning! Failure to comply with the following could result in death or serious injury.

- Do not allow anything to rest on the power cord. Locate the power cord where persons walking on it or objects rolling over it cannot damage the cord.

Lamp precautions



Warning! Failure to comply with the following could result in death or serious injury.

- Never attempt to access the lamp while the lamp is ON. After turning the lamp OFF, it is crucial that you wait at least 10 minutes before handling the lamp. This provides sufficient time for the lamp cooling fans to properly cool the lamp.

Installation and Setup

This section explains how to install, connect, and optimize the projector for delivery of superior image quality.

Installing a projection lens

The projection lens, shipped separately from the projector, must be installed prior to setting up the projector.



Warning! Failure to comply with the following could result in death or serious injury.

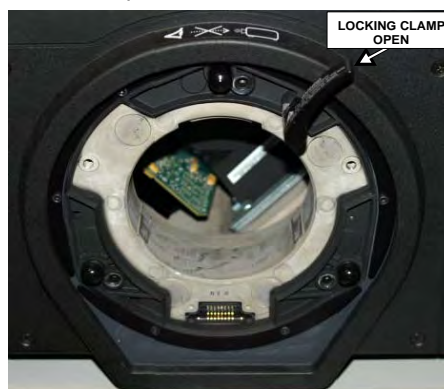
- Remove the lens plug from the lens opening in the projector before installing the lens. Retain the lens plug for projector transportation to protect the optical components from dust and debris.



Notice. Failure to comply with the following may result in property damage.

- The lens seals the projector, preventing contaminants from entering the interior of the projector. Never operate a projector without a lens. Remove the rear lens cap from the lens. Keep the front lens cap on the lens to protect it during installation.
- When installing the lens, ensure that the lens is not inserted at an angle, as this can cause damage.

1. Rotate the lens clamp to the OPEN position, as shown.



2. Align the lens interface plate with the lens mount and align the lens electrical connector with the mating connector on the lens mount.

3. Fully insert the assembly straight into the lens mount opening without turning and press with your hand as shown.



4. While holding the lens flat against the lens mount, rotate the lens clamp clockwise to lock the lens assembly in place.



5. Remove the front lens cap.
6. For added stability such as motion application, fasten the security screws provide with the lens-mount.



7. Use a 5mm hex driver to fasten the red security screws provided with the lens mount, or hand tighten the lens retaining screws attached to the lens. This is recommended for heaviest lenses such as 0.73:1 and 1.2:1.
8. If the projector is hoisted or installed in an overhead position use the lens red security screws or the lens retaining screws.

Positioning the projector



Warning! Failure to comply with the following could result in death or serious injury.

- Two people are required to safely lift and install the projector.

Place the projector on a sturdy, level surface and position it so that it is perpendicular to the screen at a suitable distance. The further back the projector is positioned for the screen, the larger the image will be.

To level the projector adjust its three feet. With the projector positioned perpendicular to the screen the image will appear rectangular instead of keystone.

Connecting a source

The input panel where all source connections are made, is located at the back of the projector. Each input is clearly labeled for easy identification. Depending on the type of option card installed, connect your source using the appropriate cable(s), as follows:

Option card	Connection
Analog Input Card	Connect three-, four-, or five-wire RGB source to Red/Pr, Green/Y, Blue/Pb, H/C and V using three, four or five BNC connectors as required.
Dual 3G/HD/SD-SDI input card	Connect the SDI (Serial Digital Interface) cable to one of the two inputs, 1-IN or 2-IN. Both standard-definition (SD) and high-definition (HD) signals are accepted and automatically recognized on either input.
Dual Link DVI input card	Connect a single or dual DVI video signal to the DVI-I connector, an analog video signal to the DVI-I connector, or an analog video signal to the VGA connector. The DVI signal may contain HDCP (High-Bandwidth Digital Content Protection).
Twin DHDMI input card	Connect HDMI (High-Definition Multimedia Interface) cable to one of the two inputs, 1-IN or 2-IN.
Video Decoder input card	Depending on the source you can apply the following; <ul style="list-style-type: none"> • Composite video source to 1-CVBS, using a BNC Cable — the same signal can be used on 4, 5, or 6 when input is selected as CVBS. • A component signal on Inputs 4(Pr), 5(Y), 6(Pb) using BNC Connectors — grouped as a component input, YPbPr, • S-Video to one of the two, 2-SVID or three-SVID using S-Video cable. • S-Video using two BNC cables, with Luma (Y) connected to 4 (Sy) and Chroma (C) connected to 6 (Sc) — must be grouped as one S-Video + one CVBS.
DMX512 interface card	Has two 5pin XLR connectors - one (input) male and one (output) female. If there is active communications on the DMX512 Interface card the power LED will blink between low intensity and high intensity.
TwinDisplay input card	Accepts DisplayPort 1.1a inputs from one or two DisplayPort sources.

Connecting the line cord



Warning! Failure to comply with the following could result in death or serious injury.

- Do not attempt operation if the AC supply and cord is not within the specified ratings. Use the line cord provided with the projector, or ensure you are using a line cord, power plug, and socket that meet the appropriate rating standards. Voltage and current requirements are listed on the license label, located at the back of the projector.
- On power down, wait 5-10 minutes for the fans to turn OFF before unplugging the projector. Always switch off the projector before unplugging the AC line cord.

1. Connect the projector line cord to the AC receptacle at the AC inlet of the projector.
2. Push the wire clip over the plug to retain it. This prevents the line cord from inadvertent disconnection.
3. Plug the three-pronged plug end into a suitably rated grounded AC receptacle.
4. Switch the projector ON. The switch is located just above the AC receptacle.

Powering on the projector

After the AC Power has been switched on, the LCD display above the keypad indicates “Please wait” and the four LED status indicators on the top cover window switch on to amber. These indicate that the projector is changing its state from powered down to standby. The message “Standby Mode” appears in the display when the projector has completed its initialization and is ready for power up.

The two lamp status LEDs go off to indicate that the lamps are off. The Power status LED shows amber, indicating that the projector is in standby mode. The shutter LED displays amber, indicating the shutter is closed. For a full description of the status indicator, see [Status LEDs](#) on page 22.

1. Press and hold the power button on the keypad or remote for two seconds, or press twice quickly. The lamps power on and the fans will come on.

The default settings for the projector are to perform a lens calibration after the insertion of a new lens. If this is the first time the projector has been powered up with the lens, expect a short period (about 15 seconds) where the lens will move slightly.

Selecting a source

1. To select and display the image for the connected source, press one of the input keys on the remote, or on the built-in keypad.

Adjusting the image

Adjust the image settings, such as Brightness, Contrast, Gamma, Focus, Zoom etc. using the direct keys on the remote, or on the built-in keypad.

Mounting the projector

There are several methods for mounting the projector. In typical front and rear screen installations the projector can be mounted to a secure and level surface, such as a table or cart. Carts are useful when the projector has to be moved often. To prevent accidental movement during a presentation, lock the wheels on the cart.

Ceiling mount

The projector can be inverted and suspended from the ceiling using a specially designed ceiling mount fixture 118-100108-XX. This mounting is recommended for installations that want the projector out of plain view or have limited amount of space for the projector. For more information, contact your dealer.



Warning! Failure to comply with the following could result in death or serious injury.

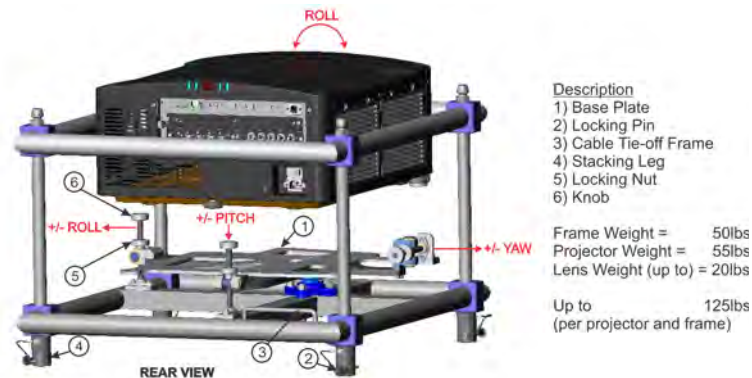
- Use only the Christie approved ceiling mount kit designed for your projector.

Special mounting

The projector can also be rotated (front-to-back) up to 360 degrees and fixed in a rotated position without affecting performance. However, to ensure optimal performance of the projector the side-to-side tilt limit of the projector must not exceed +/-15 degrees.

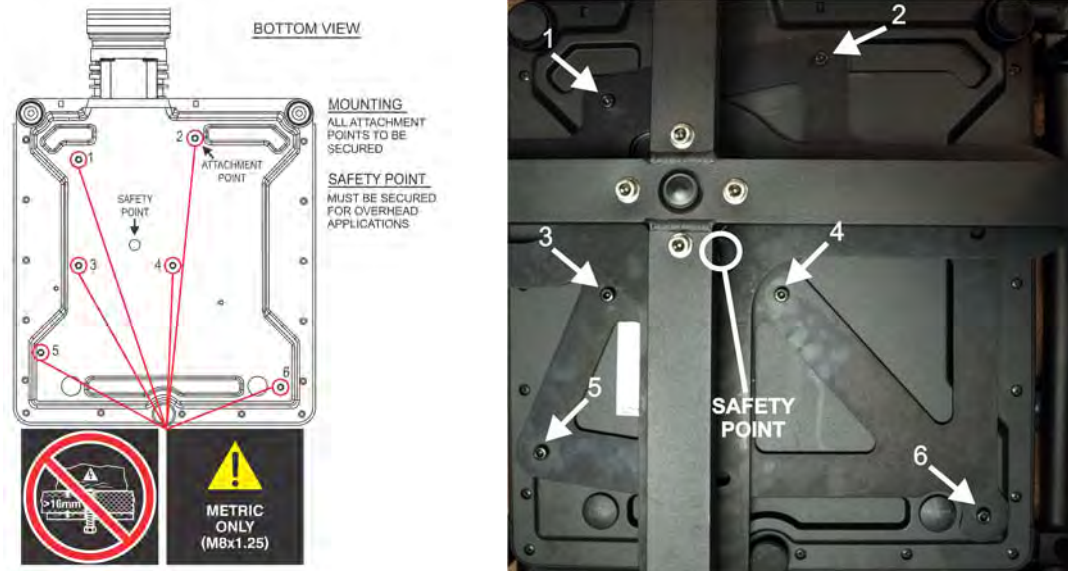
Stacking projectors in a frame

The Mirage M Series projectors can be stacked up to a maximum of three projectors high using the Christie stacking frame (118-100107-XX).



1. Turn the projector OFF and disconnect the AC power cord after the cooling fans have stopped.
2. Make sure the base plate is flat.
3. Place the projector into the stacking frame from the top or from the front.
4. Prior to placing the projector from the front make sure the pitch is to its maximum.
5. Make sure the bottom base plate of the frame is aligned with the projector.

- Use a 6 mm Allen key to tighten the six M8 bolts securing the base plate to the bottom of the projector.



- When flying projectors overhead use the M8 safety point.

Stacking multiple projectors

The projectors can be stacked and hoisted in either an upright or inverted positions. Remove the locking pin from each stacking leg prior to alignment and ensure the four stacking legs are fully seated on the lower stacking frame.

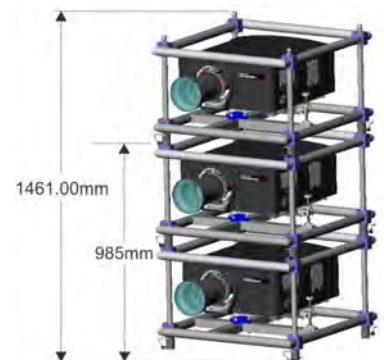
- With one person positioned on each side of the stacking frame, lift the top stacking frame onto the bottom stacking frame, aligning all four stacking legs between the frames.



Warning! Failure to comply with the following could result in death or serious injury.

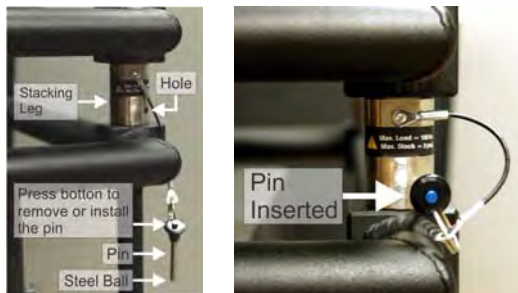
- Failure to engage the locking pin may cause the projectors to separate.

- Insert the locking pin through the holes in the stacking legs. Make sure each pin is fully inserted.



The steel ball on the end of the pin keeps the pin from releasing inadvertently.

Table 1.1



3. When required, repeat steps 1 and 2 for the additional projectors in the stack.

Stacking alignment

Stacked projectors must be correctly aligned to one another so the resulting display is optimized. If hoisting the stack, do so first and then align.

1. Prior to aligning the image, turn the locking nut to unlock then use the knob to adjust the image.
2. To align the image, use pitch, yaw, or roll.

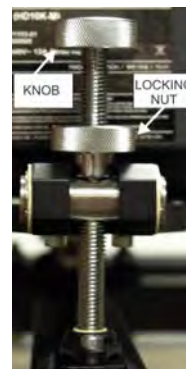
Pitch: Move the image up and down.

Roll: Rotates the image clockwise and counter-clockwise.

Yaw: Moves the image left and right.

If the projector is parallel to the screen, some keystone will be introduced with Pitch and Yaw adjustment.

3. Ensure to lock the locking nut to maintain the image adjustment.



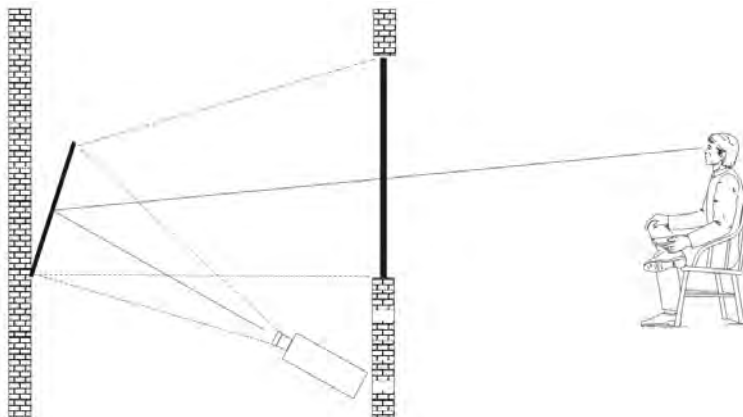
Aligning the image

Only perform image alignment once the projector is fully assembled and powered up in its final location. Basic image alignment ensures the image reflected from the DMDs is parallel and well-centered with the lens and screen. This initial optical alignment is the foundation for optimizing images on the screen and must be completed before final boresight adjustments. Before beginning, make sure the projector is properly positioned in relation to the screen.

1. To display a test pattern press the Test key on the remote keypad or use the built-in keypad and press the soft key that displays Test on the LCD display.
2. Select a pattern appropriate for analyzing image focus and geometry, such as the Grid test pattern showing the cross-hair centered across the image.
3. Do a quick preliminary focus and (if available) zoom adjustment with the primary lens.
Do not worry about consistency across the image at this point, just center focus. It is good practice to have zoom adjustment color and focus adjustment color in the center of its range.
4. Holding a piece of paper at the lens surface, adjust offsets as necessary until the image is centered within the lens perimeter. A full white field works best for this.
5. If the projector is mounted off center to the screen axis, offset the lens as much as required. Aim the projector over slightly towards the center of the screen, but use caution when doing so, as too much tilt will cause excessive keystone distortion.
6. With the framing pattern on screen, double-check projector leveling so the top edge of the image is parallel to the top edge of the screen.
7. Ensure the projector is positioned in the throw distance range for the particular lens.

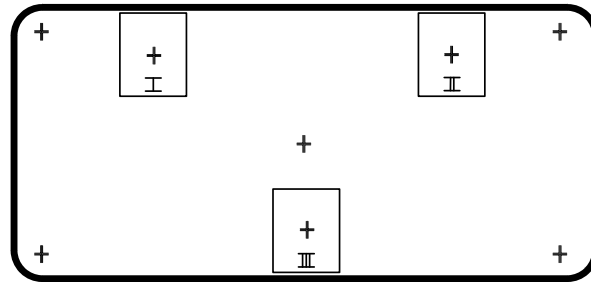
Folded optics

In rear screen applications where space behind the projector is limited, a mirror may be used to fold the optical path. The position of the projector and mirror must be accurately set. If considering this type of installation call your dealer for assistance.



Aligning boresight

1. Display the boresight test pattern.
 - a. Pressing the **Test** key on the remote keypad or use the built-in keypad and press the soft key that displays **Test** on the LCD display.
 - b. Press the **Up Arrow** key to cycle to Boresight.
 - c. Press **Enter**.



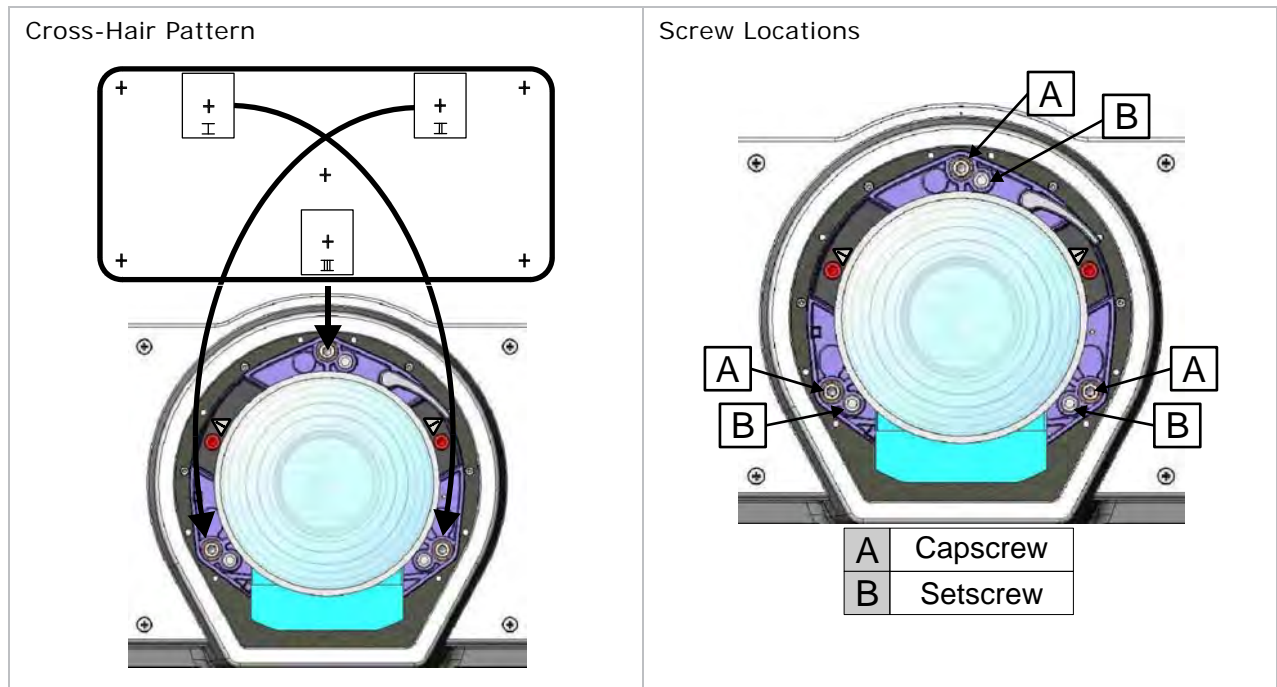
2. Focus the image on cross-hair image **I**.
3. Evaluate the focus on cross-hair image **II** and **III**.

If all three images are in focus, no further action is required.

If boresight is required, continue to step 3.

The adjustment screws on the lens mount affect the corresponding cross-hairs on the test pattern. The cap screw (B) may be under a plastic cap. Remove and retain before adjusting.

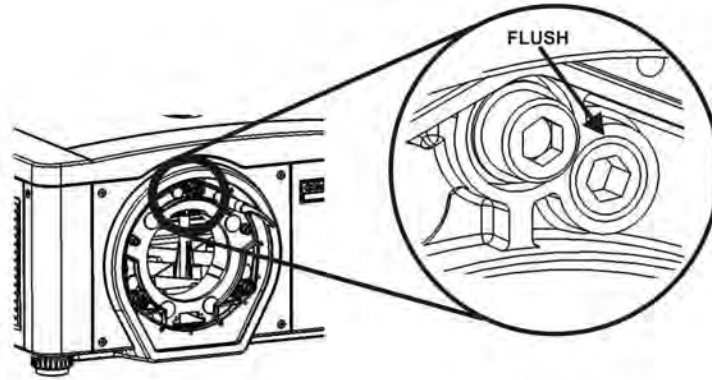
- Use a 5 mm hex driver to loosen three setscrews (A) on the lens mount. The setscrews must be backed out several turns to avoid contact with the inner lens mount plate.



- Fine tune the focus of cross-hair pattern I by adjusting the appropriate cap screw. Adjust until the cross-hair image is in focus with minimal flare.
- Adjust cross-hair pattern II, by adjusting the appropriate cap screw. Adjust until the cross-hair image is in focus with minimal flare.
- Adjust cross-hair pattern III, by adjusting the appropriate cap screw. Adjust until the cross-hair image is in focus with minimal flare.
- Repeat step 5, 6, and 7 as required until all three cross-hair patterns are in equal sharp focus. If the boresight is acceptable, proceed with step 11.

If the boresight does not appear to be converging to an acceptable level of image quality, or if the lens will not focus over the correct range of throw distances, proceed with step 9.

9. The original factory boresight can be approximately recovered, by positioning the three setscrews flush with the front face of the lens mount plate, and in contact with the inner lens mount plate. This may require adjusting both setscrews and cap screws.



10. If further action is required. Repeat step 2.
11. Lock the setscrews, and re-check the boresight quality. Tighten the setscrew enough to ensure they will not shift.

Powering down the projector

The projector can be powered down by using one of the following methods:

Remote keypad/built-in keypad

- Press and hold **Power**.
or
- Press **Power** twice.
or
- Press **Power** once, then immediately press the **Down** key.

If the second key is not pressed immediately, a confirmation window appears. The second key must be pressed within one second of the window appearing.

After powering down, the Status LEDs will cycle, and the LCD displays the message "Cooling Down" until cool down is complete.

Web user interface (UI)

1. From the **Main** tab, select **Power** > **OFF**.
2. Select **Yes**.

Projector communications

Status LEDs

Looking from the back of the projector, the LEDs represent, from left to right; Lamp 1, Lamp 2, Power, and Status. The LEDs display the colors as shown below:

Projector states	LEDS	LED state
Hard Boot	All	All LEDs amber - means please wait
Standby Mode	Lamps 1 and 2	Off —lamps are off
	Power	Amber —AC is present but projector is off or standby
	Shutter	Green —shutter is open Amber —shutter is closed
Warm-up (Powering ON from standby)	All	LEDs cycle green from left to right
Normal Operation	Lamp 1 and 2	Amber —lamp time has expired and lamp should be replace
	Power	Green —projector is powered up and operating normally
	Shutter	Green —shutter is open Amber —shutter is closed
Cool-down	All	LEDS cycle from left to right
Error	Lamp 1 and 2	Amber —lamp time has expired and lamp should be replaced Flashing Red —lamp has expired and lamp should be replaced
	Power	Flashing Red —error has occurred. Details are display on the status display.
Software Upgrade in progress	All	The pattern will alternate between: Amber and Off
Lamp Regeneration in progress	Lamp 1 and 2	Flashing Green —the lamp is being switched off for its regeneration period to extend lamp life (typically 15 minutes every 24 hours)
	Power	Green —on Amber —standby
	Shutter	Green —shutter is open

Projector states	LEDS	LED state
Note: A condition occurs on the first power on after a software upgrade, and is indicated by all the following:		
<ul style="list-style-type: none">• The Status LEDES are cycling green• The LCD displays the warning Image Processor Upgrading• The LED on the Image Processor card flashes green• The web page shows a warning that the Image processor card is upgrading• When this occurs, the projector should not be AC power cycled and the Image Processor card should not be removed		

Specifications

This section provides detailed projector specifications. Due to continuing research, detailed features are subject to change without notice.

Pixel Format

1080p (H x V square pixels)	1920 x 1080
SXGA+ (H x V square pixels)	1400 x 1050
WUXGA (H x V square pixels)	1920 x 1200

Contrast

ANSI: 16 pt. checker pattern on black screen	650:1 typical
Full field: 9 pt. average ON/OFF with background light subtraction	2500:1 typical (full open aperture) 1080p 2100:1 typical (full open aperture) SXGA+ 2100:1 typical (full open aperture) WUXGA
Dynamic (available for non-DLV models)	10000: 1 typical (with dynamic aperture)

Gamma

Default Gamma (all points from 10 to 90 IRE)	2.2 + linear segment
Adjustable Gamma range	1.0 to 3.0

Grayscale/Color Resolution

Resolution	10 bits (non-linear) min. (Gamma encoded)
------------	---

Color Temperature

White Default CCT (without YNF)	7700 K \pm 2000 K 350W, 450W Lamp 8900 K \pm 2000 K 200W Lamp
White YNF CCT (with YNF activation, electronically corrected)	6500 K \pm 1000 K
Range of Adjustment	3200 K - 9300 K
Tracking (deviation from normal over full range from 10 to 100 IRE)	\pm 500 K max
Stability (during rated lamp life)	\pm 500 K max

Input (Source Signal) Compatibility

Analog (Only) Input

Connectors	five female BNC, 75 Ohm R/Pr G/Y B/Pb H/C V
Color spaces/signal types	RGB YPbPr
A/D conversion	10 bits

Twin HDMI Input

Connectors	Two independent HDMI inputs type A Two loop-out connectors type A
Color spaces/signal types	RGB YCbCr (4:2:2) YCbCr (4:4:4) HDCP support HDMI 1.3 supported (not including audio) except: 12-bit color dithered to 10 bits; 16 bit color not supported

Dual Link DVI Input

Connectors	One dual link DVI-I One analog 15-pin VGA
Color spaces/signal types	HDCP support
A/D conversion	10 bits for single link DVI input 8 bits for dual link DVI inputs
Frequency	165 Megapixels/s analog

Video Decoder Input

Connectors	Two S-Video 4-pin miniature DIN Four BNC, 75 Ohm Two independent decoder channels for PIP
Color spaces/signal types	Composite video Component video (SD and ED only) S-video
A/D conversion	10 bits
Video Standards	NTSC, NTSC 4.43, PAL, PAL M, PAL N, PAL 60, SECAM

Dual 3G/HD/SD-SDI

Connectors	BNC, 75 Ohm
Color spaces/signal types	Dual HD input SDI, HD-SDI, 3G-SDI

DisplayPort Input

Connectors	Two independent DisplayPort inputs Two loop-out DisplayPort connectors
Color spaces/signal types	RGB YCbCr (4:2:2) YCbCr (4:4:4) HDCP support on inputs DisplayPort 1.1a supported (not including audio)

Power Requirements

Rated voltage	100 VAC – 240 VAC
Rated Current (dual lamp operation)	
450W 1080p / SXGA+ / WUXGA	15 A @ 100 VAC
370W 1080p / SXGA+ / WUXGA	12 A @ 100 VAC
Line frequency	50/60 Hz
AC Input Coupler	15 A, 250 VAC
Type of connector	IEC 320-C14 with wire cable clamp
Line Cord	14AWG type FT1 with plug, NEMA 5-15P, 15A
Inrush Current	60 A max
Maximum Power Consumption	Dual Lamp
1080p / SXGA+ / WUXGA	1500W (dual lamp) / 750W (single lamp)
1080p / SXGA+ / WUXGA	1320W (dual lamp) / 831W (single lamp)
1080p / SXGA+ / WUXGA	1267W (dual lamp) / 805W (single lamp)
1080p / SXGA+ / WUXGA	1135W (dual lamp) / 739W (single lamp)
1080p / SXGA+ / WUXGA	871W (dual lamp) / 607W (single lamp)
1080p / SXGA+ / WUXGA	739W (dual lamp) / 541W (single lamp)

Physical Specifications

Size

Maximum product dimensions (L x W x H) (with lens removed)	561 x 500 x 247 (mm) 22.1 x 19.7 x 9.75 (inches)
Maximum shipping dimensions (L x W x H)	775 x 698.5 x 584 (mm) 30.5 x 27.5 x 23 (inches)

Weight

Maximum product weight (with lens removed)	25 kg (55 lb.)
---	----------------

Maximum shipping weight (includes packaging)	40 kg (87 lb.)
---	----------------

Environment

Temperature/Humidity/Altitude

Operating temperature range	5 to 40°C (41 to 104°F)
Storage temperature range	-40 to 70°C
Humidity range	10% to 80%, non condensing
Operating Altitude	10,000 ft. maximum

Regulatory

Safety

- CAN/CSA C22.2 No. 60950-1
- UL 60950-1
- IEC 60950-1
- EN60950

Electro-Magnetic Compatibility

Emissions

- FCC CFR47, Part 15, Subpart B, Class A - Unintentional Radiators
- CISPR 22/EN55022 Class A - Information Technology Equipment

Immunity

- CISPR 24/EN55024 Class A - Information Technology Equipment

Environmental

The product must conform to:

- EU Directive (2011/65/EU) on the restriction of the use of certain hazardous substances (RoHS) in electrical and electronic equipment and the applicable official amendment(s).
- EU Regulation (EC) No. 1907/2006 on the registration, evaluation, authorization and restriction of chemicals (REACH) and the applicable official amendments.

- EU Directive (2012/19/EU) on waste and electrical and electronic equipment (WEEE) and the applicable official amendment(s).
- China Ministry of Information Industry Order No.39 (02/2006) on the control of pollution caused by electronic information products, the hazardous substances concentration limits (SJ/T11363-2006), and the applicable product marking requirement (SJ/T11364-2006).

Marking

This product shall conform to all relevant Canadian, US, and European directives, standards, safety, health and environmental concerns and bare the following markings at product launch:

- UL
- CE
- RoHS
- WEEE
- Future International Certifications to include: CCC, KC, PSE, c-tick, CU, South Africa, Saudi Arabia, and India

International packaging recycling mark requirements:

- EU Directive (2002/96/EC) on waste and electrical and electronic equipment (WEEE);
- EU Directive (94/62/EC) on packaging and packaging waste;

China packaging recycling mark standard (GB18455-2001).

Corporate offices

USA – Cypress
ph: 714-236-8610

Canada – Kitchener
ph: 519-744-8005

Consultant offices

Italy
ph: +39 (0) 2 9902 1161

Worldwide offices

Australia
ph: +61 (0) 7 3624 4888

Brazil
ph: +55 (11) 2548 4753

China (Beijing)
ph: +86 10 6561 0240

China (Shanghai)
ph: +86 21 6278 7708

Eastern Europe and
Russian Federation
ph: +36 (0) 1 47 48 100

France
ph: +33 (0) 1 41 21 44 04

Germany
ph: +49 2161 664540

India
ph: +91 (080) 6708 9999

Japan (Tokyo)
ph: 81 3 3599 7481

Korea (Seoul)
ph: +82 2 702 1601

Republic of South Africa
ph: +27 (0)11 510 0094

Singapore
ph: +65 6877-8737

Spain
ph: + 34 91 633 9990

United Arab Emirates
ph: +971 4 3206688

United Kingdom
ph: +44 (0) 118 977 8000

