

Warnings

Please read these warnings before using your headphones. To ensure safety, observe all warnings while using this equipment.

- Do not disassemble or attempt to repair headphones.
- Never use the headphones in places where the inability to hear ambient sounds presents a serious risk (such as while operating a motor vehicle or bicycle, or at railroad crossings, train stations, construction sites or on roads or where vehicles and bicycles are traveling).
- Noise-cancelling headphones make it hard to hear outside low-pitched sounds. Take care to recognize warning beeps and other auditory reminders; be aware that the familiar sound of these alerts may be changed by the headphones.
- To prevent damage to your eardrums, never use the headphones at excessive volume levels. Listening to loud sounds for an extended period may cause temporary or permanent hearing loss.
- Do not store the headphones in direct sunlight, near heating devices or in hot, humid or dusty places.
- Do not subject the headphones to strong impact.
- Do not allow the headphones to become wet.

Battery precautions

- Keep batteries out of the reach of children.
- Use only disposable AAA alkaline batteries.
- Do not use rechargeable batteries.
- Observe correct polarity as marked.
- Remove depleted battery immediately.
- Please dispose of used batteries properly.
- Do not use a leaking battery. If battery leakage occurs, avoid contact with skin. If contact occurs, immediately wash thoroughly with soap and water.
- If battery leakage comes into contact with your eyes, immediately flush with water and seek medical attention.
- Do not expose the battery to excessive heat.

Compliance with FCC rules (USA only)

This device complies with Part 15 of the FCC rules. Operation is subject to the following two conditions.(1) this device may not cause harmful interference, and (2) this device must accept any interference received, including interference that may cause undesired operation.

FCC WARNING

You are cautioned that any changes or modifications not expressly approved in this manual could void your authority to operate this equipment.

NOTICE

This equipment has been tested and found to comply with the limits for a Class B digital device, pursuant to Part 15 of the FCC Rules. These limits are designed to provide reasonable protection against harmful interference in a residential installation. This equipment generates, uses, and can radiate radio frequency energy and, if not installed and used in accordance with the instructions, may cause harmful interference to radio communications. However, there is no guarantee that interference will not occur in a particular installation. If this equipment does cause harmful interference to radio or television reception, which can be determined by turning the equipment off and on, the user is encouraged to try to correct the interference by one or more of the following measures:

- Reorient or relocate the receiving antenna.
- Increase the separation between the equipment and receiver.
- Connect the equipment into an outlet on a circuit different from that to which the receiver is connected.
- Consult the dealer or an experienced radio/TV technician for help.

Canada only

This Class B digital apparatus complies with Canadian ICES-003. Cet appareil numérique de la classe B est conforme à la norme NMB-003 du Canada.

 This product conforms to the EMC Directive 2004/108/EC. The complete declaration of conformity can be obtained from Audio-Technica Limited, Royal London Industrial Estate, Beeston, Leeds, UK, LS11 8AG.

警告事項*
드라이버: 13mm; **주파수응답:** 20 – 20,000 Hz; **QuietPoint® Active Noise Reduction(노이즈 캔슬 레벨):** 최대 20dB; **출력음압레벨:** 105dB; **임피던스:** 32 ohms; **배터리:** AAA (알카라인); **배터리수명:** 약 60시간, 일반 알카라인; **케이블:** 1.3m(4.3'); **무게(케이블, 배터리 무게 제외):** 26g(0.9 oz)
*라디오 모드에서 측정된 스펙입니다. 본 스펙은 통보없이 변경될 수 있습니다.

產品規格*
驅動單元: 13 mm；**頻率響應:** 20 – 20,000 Hz；**QuietPoint®降噪電平:** 高達 20 dB；**靈敏度:** 105 dB；**阻抗:** 32 歐姆；**電池:** AAA型 (鹼性電池)；**電池壽命:** 高達60小時 (典型 (鹼性電池))；**導線:** 1.3m；**重量:** 26g, 不含導線和電池
*產品規格由耳筒在有源模式下測試。有關規格會按需要而作出改良更新，不作另行通知。

技术指标*
驱动单元: 13 mm；**频率响应:** 20 – 20,000 Hz；**QuietPoint®降噪电平:** 高达 20 dB；**灵敏度:** 105 dB；**阻抗:** 32 欧姆；**电池:** AAA 7号(性 池)；**电池寿命:** 高 60小时, 典型(性 池)；**导线:** 1.3m；**重量:** 26克, 不含 和 池
*技 指 于耳机在有源模式下 量。有 指 会因 需要作出改良更新，而不会作另行通知。

Спецификация*
Динамик: 13 мм; **Частота:** 20 – 20,000 Гц; **QuietPoint® Система активного шумоподавления** до 20 Дб; **Чувствительность:** 105 Дб; **Импеданс:** 32 Ом; **Батарея:** AAA (alkaline); **Время работы от щелочной батареи:** До 60 часов; **Съёмный шнур:** 1,3 м **Вес:** 26 г, без кабеля и батареи
*Все характеристики измерены при включенном шумоподавлении. Спецификация может быть изменена без предварительного уведомления. Товар сертификации не подлежит. Подключаются к аудиосистействам и ПК. Не разбирать, не бросать, не допускать попадания влаги. Длительное прослушивание на высокой громкости оказывает вредное влияние на слух. Изготовитель: Аудио-Техника Ко., Лтд. Адрес: 2206 Нарусе, Мачида, Токио 194-8666, Япония

*All characteristics measured with noise cancelling function. Specification may be changed without notice. Do not disassemble or attempt to repair. Do not use the headphones in places where the inability to hear ambient sounds presents a serious risk (such as while operating a motor vehicle or bicycle, or at railroad crossings, train stations, construction sites or on roads or where vehicles and bicycles are traveling). Noise-cancelling headphones make it hard to hear outside low-pitched sounds. Take care to recognize warning beeps and other auditory reminders; be aware that the familiar sound of these alerts may be changed by the headphones. To prevent damage to your eardrums, never use the headphones at excessive volume levels. Listening to loud sounds for an extended period may cause temporary or permanent hearing loss. Do not store the headphones in direct sunlight, near heating devices or in hot, humid or dusty places. Do not subject the headphones to strong impact. Do not allow the headphones to become wet.

Avvertissements

Veuillez lire les avvertissements ci-dessous avant d'utiliser le casque. Pour votre sécurité et celle des autres, observez tous les avvertissements ci-dessous lorsque vous utilisez cet appareil.

- Ne pas démonter ou tenter de réparer le casque d'écoute.
- Ne jamais utiliser le casque d'écoute dans des lieux où ne pas entendre les bruits ambiants peut constituer un facteur de risque sérieux (en conduisant ou en roulant en vélo, aux passages à niveau, dans les gares, sur un chantier ou dans le trafic automobile ou cycliste, etc.).
- Le casque d'écoute rend plus difficile la perception des sons graves. Veillez à vous familiariser avec le son des alarmes et des signaux sonores ; le port du casque d'écoute peut changer la façon dont vous les entendez.
- Pour éviter les lésions aux tympans, évitez d'utiliser le casque d'écoute à un volume sonore trop élevé. L'écoute à un volume sonore très élevé pendant des périodes prolongées peut provoquer des pertes auditives temporaires ou irréversibles.
- Ne pas ranger le casque à des endroits exposés à l'ensoleillement direct, à côté d'appareils de chauffage ou dans des lieux chauds, humides ou poussiéreux.
- Ne pas exposer le casque à des chocs violents.
- Ne pas mettre le casque en contact avec l'eau.

Mesures de sécurité relatives aux piles

- Garder les piles hors de portée des enfants.
- N'utilisez que des piles alcalines AAA jetables.
- Ne pas utiliser de piles rechargeables.
- Respecter la polarité comme indiqué sur le logement.
- Ne pas utiliser de piles présentant des fuites. En cas de fuite de la pile, éviter tout contact avec la peau. En cas de contact avec la peau, laver immédiatement au savon et à l'eau. En cas de contact du liquide de la pile avec les yeux, rincer immédiatement à l'eau claire et con sulter un médecin.
- Ne pas exposer les piles à une chaleur excessive.
- Retirer immédiatement les piles vides du logement.
- Éliminer les piles usagées dans le respect de la réglementation sur l'environnement.

Advertencias

Lea las siguientes advertencias antes de usar los auriculares. Para garantizar la seguridad, respete todas las advertencias cuando use este aparato.

- No desmonte ni intente reparar los auriculares.
- No utilice los auriculares en lugares en los que la imposibilidad de oír el sonido ambiental suponga un riesgo importante (como cuando maneja un vehículo motorizado o una bicicleta, o en pasos a nivel, estaciones de tren, lugares en construcción o en vías en las que circulen vehículos y bicicletas).
- Los auriculares con cancelación de ruido hacen que sea difícil oír sonidos exteriores de tonos bajos. Preste atención para poder reconocer pitidos de advertencia y otros avisos sonoros; sea consciente de que el sonido familiar de esas alertas puede ser cambiado por los auriculares.
- Para evitar daños en los tímpanos, no use nunca los auriculares con niveles de volumen excesivos. Escuchar sonidos fuertes durante un prolongado periodo de tiempo puede causar pérdida auditiva temporal o permanente.
- No guarde los auriculares expuestos directamente al sol, cerca de aparatos de calefacción o en lugares calientes, húmedos o expuestos al polvo.
- No someta los auriculares a impactos fuertes.
- No deje que se mojen los auriculares.

Precauciones con las pilas

- Mantenga las pilas fuera del alcance de los niños.
- Use sólo pilas alcalinas AAA desechables.
- No use pilas recargables.
- Respete la polaridad correcta según se indica.
- No use pilas con fugas. Si se produce una fuga en las pilas, evite que entre en contacto con la piel. Si se produce contacto, lave de inmediato con agua abundante y jabón. Si la fuga de las pilas entra en contacto con los ojos, enjuague de inmediato con agua y busque atención médica.
- No exponga las pilas a un calor excesivo.
- Retire de inmediato las pilas agotadas.
- Por favor, deseche las pilas adecuadamente.

Avvertenze

Si prega di leggere le seguenti avvertenze prima dell'uso. Si consiglia di attenersi alle seguenti avvertenze per un corretto funzionamento dell'apparecchio.

- Non smontare o cercare di riparare le cuffie.
- Non utilizzare le cuffie in tutti i casi in cui l'impossibilità di udire rumori esterni possa comportare un rischio per se stessi o per gli altri (come ad esempio alla guida di un veicolo a motore o di una bicicletta, nei vicinati di passaggi a livello, nei gares, sui cantieri edili o di strade trafficate).
- Le cuffie con riduzione del rumore rendono difficile l'ascolto di toni bassi provenienti dall'esterno. Prestare attenzione agli avvisi e ai promemoria sonori; il suono di questi avvisi potrebbe risultare alterato una volta indossate le cuffie.
- Per prevenire il danneggiamento dei timpani si consiglia di non utilizzare le cuffie ad un volume troppo elevato. Ascoltare musica a volume elevato e per periodi prolungati può causare la perdita temporanea o permanente dell'udito.
- Si consiglia di non esporre le cuffie alla luce solare, a fonti di calore o di non riporle in luoghi caldi, umidi o polverosi.
- Proteggere le cuffie da urti violenti.
- Non bagnare le cuffie.

Precauzioni per le batterie

- Tenere le batterie lontano dalla portata dei bambini.
- Utilizzare solo batterie alcaline AAA di tipo "usa e getta".
- Non utilizzare batterie ricaricabili.
- Inserire le batterie rispettando la polarità indicata.
- Non utilizzare batterie danneggiate che perdono liquidi. In presenza di batterie danneggiate e di perdita di liquidi, evitare il contatto della pelle. In caso di contatto, lavare immediatamente con abbondante acqua e sapone. In caso di contatto con gli occhi, lavare immediatamente con abbondante acqua e consultare un medico.
- Non esporre le batterie a temperature elevate.
- Rimuovere immediatamente le batterie esauste.
- Smaltire le batterie esauste negli appositi contenitori.

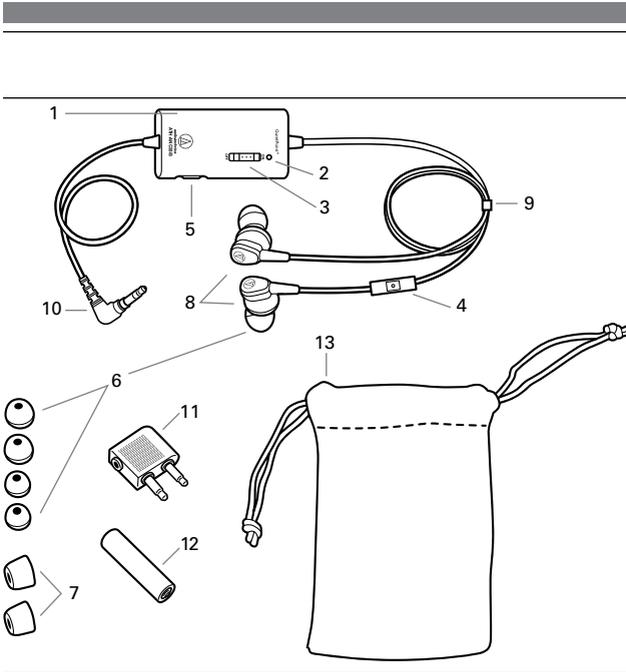
Warnhinweise:

Bitte lesen Sie diese Warnhinweise, bevor Sie die Kopfhörer benutzen. Beachten Sie zu Ihrer Sicherheit alle Warnhinweise, wenn Sie dieses Gerät benutzen.

- Bauen Sie Kopfhörer nicht auseinander, und versuchen Sie nicht, sie selbst zu reparieren.
- Benutzen Sie Kopfhörer niemals in Umgebungen, wo die Unfähigkeit, Umgebungsgeräusche zu hören, ein Risiko darstellen (etwa wenn Sie selbst ein Kraftfahrzeug oder ein Fahrrad fahren, oder an Bahnübergängen, in Bahnhöfen, an Baustellen und auf Straßen, die von Kraftfahrzeugen oder Fahrrädern befahren werden).
- Kopfhörer mit Geräuschunterdrückung erschweren es, wenig laute Geräusche von außen zu hören. Sorgen Sie dafür, dass Sie WarnTöne und andere akustische Warnungen hören, und stellen Sie sich darauf ein, dass die Kopfhörer den Klang derart vertrauter Geräusche verändern können.
- Benutzen Sie die Kopfhörer niemals mit Überlautstärke, um Schäden an Ihrem Gehör zu vermeiden. Langes Hören von lauten Klängen kann zu zeitweiligem oder permanentem Höerverlust führen.
- Lagern Sie die Kopfhörer nicht unter direkter Sonneneinstrahlung, in der Nähe von Heizkörpern oder an heißen, feuchten sowie staubigen Orten.
- Setzen Sie die Kopfhörer keinen heftigen Erschütterungen aus.
- Setzen Sie die Kopfhörer keiner Feuchtigkeit aus.

Batterievorkehrungen

- Bewahren Sie Batterien außerhalb der Reichweite von Kindern auf.
- Verwenden Sie ausschließlich hochwertige Einmal-Alkali-Batterien.
- Verwenden Sie keine wieder aufladbaren Batterien.
- Achten Sie auf die richtige Polarität wie markiert.
- Verwenden Sie keine beschädigten Batterien. Vermeiden Sie Hautkontakt mit beschädigten Batterien. Falls Hautkontakt entstanden ist, waschen Sie sich sorgfältig mit Wasser und Seife. Falls eine aus der Batterie ausgetretene Substanz mit Ihren Augen in Kontakt gekommen ist, spülen Sie die Augen sofort mit Wasser und suchen Sie einen Arzt auf.
- Setzen Sie die Batterie keiner großen Hitze aus.
- Entfernen Sie leere Batterien sofort.
- Bitte entsorgen Sie gebrauchte Batterien fachgerecht.



English

- Active Noise Cancellation**—Advanced electronics cancel up to 90% of background noise, creating a restful listening environment
- Spectacular sound**—Innovative ANC circuitry delivers an exceptionally pure audio signal in noise-cancelling mode
- Inline control/mic**—Works with most smartphones, allows the user to play or pause music, answer end calls, and go to the next or previous track
- Ultra-compact design**—In-ear design is ideal for travel
- Passive mode**—Audio functions (in passive mode) even without battery
- Versatile performance**—Ideal for use with all audio sources, including MP3 and other portable players

Features and Included Accessories

- Control box**—In-line control box has on/off and volume controls along with noise-cancelling electronics.
- Power LED**—Lights red when power is ON.
- Power switch**—Activates noise-cancelling function when power is ON. Headphones also operate as stereo headphones in OFF position without active noise-cancelling function.
- Inline control/mic**—Works with most smartphones, allows the user to play or pause music, answer end calls, and go to the next or previous track
- Volume control**—Controls the headphone volume dependent on source level.
- Replaceable rubber tips**—Small, medium and large earpieces provide a custom fit.
- Comply™ Foam Tips**—Comfortably seal the ear canal (1 pair).
- Headphones**—A miniature microphone in each earpiece picks up ambient noise (such as traffic, air-handling systems, etc.).
- Y-cable**—1.3 m (4.3') Y-cable.
- Gold-plated mini-plug**—3.5 mm (1/8") (L-type) stereo mini-plug.
- Airline adapter**
- AAA battery**
- Protective vinyl pouch**

Installing the battery

The ATH-ANC33iS requires one AAA battery for operation (included). Use only disposable AAA alkaline batteries. **Do not use rechargeable batteries.**

- Move power switch to the “OFF” position.
- Turn control box over to access battery compartment.
- Open battery cover by sliding the cover in the direction of the arrow on the cover.
- Insert AAA battery, observing correct polarity as marked.
- Close battery compartment cover.

Using your headphones

- Connect the headphone cable to the headphone jack of your audio device.
 - Use 3.5 mm (1/8") stereo mini-plug to connect to MP3, CD player, DVD player, computer, and other audio devices equipped with a 3.5 mm output jack.
 - Use included airline adapter to connect to typical airline audio systems.
 - Note:** The headphones cannot be used with devices equipped with 2.5 mm or 1/8" headphone jacks without the purchase of an adapter. Please purchase an optional mono/stereo adapter for use with a mono device. (Without use of an adapter, the right channel is muted when headphones are connected to a mono device.)
- Wear the left headphone (marked L) in your left ear; and the right headphone (marked R) in your right ear.
 - Note:** the L and R designations are at the base of the cable strain relief near where the cable exits the headphone. Insert the rubber tip on the headphone into your ear so it fits snugly and comfortably. If fit is not correct, please see Selecting your replaceable rubber tips, below. Do not push beyond the ear canal opening.

- To use the Comply Foam Tips: after installing them on your headphones, compress the tips by rolling them between your fingers. The tip will expand to fit when inserted into your ear canal opening.
- To activate noise-cancelling function, move the power switch on your control box to the “ON” position; power indicator should light (red). (If you do not wish to use the active noise-cancelling function, move power switch to the “OFF” position.)
- Turn on your audio device. (Volume should be set at a low level at first; adjust as necessary on audio device.) Use the volume control on the ATH-ANC33iS control box to adjust the volume of your music. Maximum volume is limited by the setting on your music source. If the noise-cancelling function and/or low frequency response seems to be missing, check to make certain the headphones fit correctly and that there is a good seal between the ear canal and the tip on your headphone.

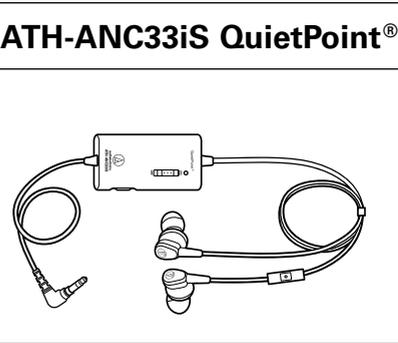
How to use inline control

Play music/Pause music/Answer & end calls	Click the control button once
Go to next track	Double-click the control button
Go to previous track	Triple-click the control button

Selecting your replaceable rubber tips and checking fit of the headphones

The Medium sized rubber tips are attached to the headphones at shipment. If these do not fit your ears, replace them with the Small or the Large rubber tips or with the Comply™ Foam Tips. It is important to have the correct and comfortable fit; an incorrect fit will degrade both the noise-cancelling and audio performance of your headphones.

ATH-ANC33iS QuietPoint®



Instruction Manual

ATH-ANC33iS QuietPoint®

Noise-Cancelling Headphones

Manuel d'utilisation

Écouteurs à réduction de bruit

ATH-ANC33iS QuietPoint®

Manual de instrucciones

Auriculares con cancelación del ruido

ATH-ANC33iS QuietPoint®

Manuale d'uso

Auricolari ATH-ANC33iS QuietPoint®

con riduzione del rumore

Bedienungsanleitung

ATH-ANC33iS QuietPoint®

Noise-Cancelling Kopfhörer

audio-technica

Noise-cancelling only

To activate noise-cancelling function, move the power switch on your control box to the “ON” position; power indicator should light (red). In this case, there is no need to connect the headphone cable to an audio device; simply turn the headphones on and wear them.

After using

- After you have finished using your headphones, be certain to move the power switch to the “OFF” position.
- Remove battery when you will not be using the headphones for an extended period.
- Store the headphones and accessories in the included protective pouch.
- To clean the headphones, wipe the earpiece and control pack with a clean, soft cloth. Do not use solvents.
- For periodic cleaning of rubber tips, remove from headphones and wash rubber tips with warm water. Make certain rubber tips are completely dry before reinstalling on headphones. Check for any obstructions in the rubber tip.
- Rubber tips and Comply™ tips will wear over time. Replacement tips are available from Audio-Technica dealers.

Troubleshooting	
Problem	<i>Solution</i>
No sound	<ul style="list-style-type: none">Check connections of headphones at the extension cable and/or your audio equipment. Make certain your audio equipment is turned on. Make certain your audio equipment and headphone volume is at an audible level. Check fit of earpieces. Check selection of tips. (An incorrect fit will degrade both the noise-cancelling and audio function of your headphones.) Turn power switch off, and on again. (Ambient noise may be out of synchronization with noise-cancelling frequency.) Change battery in control box. (Battery may be drained.)
Ambient noise is not reduced	<ul style="list-style-type: none">Check fit of earpieces. Check selection of tips. (An incorrect fit will degrade both the noise-cancelling and audio function of your headphones.) Turn power switch off, and on again. (Ambient noise may be out of synchronization with noise-cancelling frequency.) Change battery in control box. (Battery may be drained.)
Sound has become distorted	<ul style="list-style-type: none">Turn down volume of audio/video equipment. (Volume may be too loud.) Change battery in control box. (Battery may be drained.) Check the headphone canal and tips for wax buildup. Remove wax. (Headphone may be dirty.)

Specifications*
Driver: 13 mm, active noise-cancelling; **Frequency Response:** 20 – 20,000 Hz; **QuietPoint® Active Noise Reduction:** Up to 20 dB; **Sensitivity:** 105 dB; **Impedance:** 32 ohms; **Battery:** AAA (alkaline); **Battery Life:** Up to 60 hours, typical (alkaline); **Cable:** 1.3 m (4.3') with 3.5 mm stereo mini-plug; **Weight:** 26 g (0.9 oz) (without battery)

* Specifications measured with headphones in active mode. Specifications are subject to change without notice.

To purchase replacement Comply™ Foam Tips S Series visit www.complyfoam.com



Français

- Réduction de bruit active** – les composants électroniques de pointe éliminent 90% des bruits de fond, pour une écoute reposante.
- Son spatéculaire** – le circuit innovant ANC délivre un signal audio d'une pureté exceptionnelle en mode réduction de bruit.
- Commande/microphone intégrés** – Compatible avec la plupart des smartphones, permet à l'utilisateur de lire la musique, de mettre en pause, de répondre et mettre fin aux appels et de passer à la piste précédente ou suivante.
- Design ultra-compact** – le design intra-auriculaire est idéal pour les voyages.
- Mode passif** – fonctions audio (en mode passif) même sans batterie.
- Polyvalence** – le complément idéal de toutes les sources sonores, y compris lecteurs MP3 et autres appareils portables.

Fonctionnalités et accessoires inclus

- Boîtier de commande** – le boîtier de commande intégré est doté d'un interrupteur marche/arrêt et d'un commutateur de contrôle du volume, ainsi que d'un système électronique anti-bruit.
- Voyant d'alimentation** – s'allume en rouge lorsque l'appareil est sous tension.
- Interrupteur marche/arrêt** – pour activer la fonction anti-bruit lorsque les écouteurs sont sous tension. Les écouteurs fonctionnent aussi comme une paire d'écouteurs stéréo normale lorsque l'interrupteur est sur OFF et que la fonction réduction de bruit est désactivée.
- Commande/microphone intégrés** – Compatible avec la plupart des smartphones, permet à l'utilisateur de lire la musique, de mettre en pause, de répondre et mettre fin aux appels et de passer à la piste précédente ou suivante.
- Contrôle du volume** – pour régler le volume sonore dans les écouteurs.
- Embouts en caoutchouc remplaçables** – les différentes tailles d'embouts (*Small, Medium* et *Large*) pour écouteurs intra-auriculaires permettent un confort de port optimal.
- Embouts en mousse Comply™** – pour un ajustement idéal au canal auditif (1 paire).
- Écouteurs** – un microphone miniature dans chaque écouteur capte les bruits ambiants (dus au trafic, aux installations de ventilation, etc.).
- Câble en « Y »** – câble de 1,3 mètre (4,3').
- Mini-jack plaqué or** – mini-jack stéréo de 3,5 mm (1/8") de type L.
- Adaptateur pour avion**
- Pile AAA**
- Étui de protection en vinyle**

Installation de la pile

Les écouteurs ATH-ANC33iS fonctionnent avec une pile AAA (fournie). N'utilisez que des piles alcalines AAA étables. **Ne pas utiliser de piles rechargeables.**

- Mettez l'interrupteur marche/arrêt des écouteurs en position « OFF ».
- Retournez le boîtier de commande pour accéder au compartiment à pile.
- Ouvrez le couvercle du compartiment en le faisant glisser dans la direction indiquée par la flèche.
- Insérez la pile AAA en respectant la polarité indiquée.
- Refermez le couvercle du compartiment à pile.

Utilisation des écouteurs

- Branchez le câble des écouteurs à la prise jack casque de votre appareil audio.
- Utilisez le mini-jack stéréo de 3,5 mm (1/8") pour brancher les écouteurs à un lecteur MP3, CD ou DVD, un ordinateur ou d'autres équipements audio munis d'une prise de sortie jack de 3,5 mm.
- Utilisez l'adaptateur pour avion pour brancher les écouteurs sur le système audio d'un avion.
 - Remarque** : sans adaptateur, les écouteurs sont inutilisables sur les appareils équipés d'une prise jack casque de 2,5 mm ou 1/4". Il convient donc dans ce cas d'acheter un adaptateur mono/stéréo disponible en option. (Sans cet adaptateur, le canal droit est coupé lorsque les écouteurs sont branchés sur un appareil mono.)
- Placez l'écouteur gauche (marqué L) dans votre oreille gauche, et l'écouteur droit (marqué R) dans votre oreille droite.
 - Remarque** : les indications L et R se trouvent au niveau de la bague anti-traction à l'endroit où le câble sort de l'écouteur. Introduisez l'écouteur intra-auriculaire muni de l'embout en caoutchouc dans votre oreille en recherchant la position la plus confortable. En cas de gêne, veuillez vous reporter à la section ci-dessous. Sélection de vos embouts en caoutchouc remplaçables. N'enfoncez pas l'écouteur au-delà de l'ouverture du conduit auditif. Pour utiliser les embouts en mousse Comply™ : après avoir installé les embouts sur vos écouteurs, comprimez-les en les faisant rouler entre vos doigts. Les embouts reprendront leur forme une fois insérés dans l'ouverture du conduit auditif.

- Pour activer la fonction de réduction de bruit, mettez l'interrupteur situé sur le boîtier de commande en position « ON ». Le voyant d'alimentation doit s'allumer (lumière rouge). (Si vous ne souhaitez pas utiliser la fonction réduction de bruit, mettez l'interrupteur en position « OFF ».)

- Allumez l'appareil audio. (Commencez par un volume sonore peu élevé, puis ajustez le volume sur l'appareil audio.) Utilisez le contrôle du volume sur le boîtier de commande du ATH-ANC33iS pour régler le volume de votre musique. Le volume maximal est limité par le réglage de votre source de musique. Si la fonction réduction de bruit et/ou la réponse en basses fréquences vous paraît absente, vérifiez que les écouteurs et leurs embouts sont bien ajustés et bien plaqués contre le canal auditif.

Mode d'emploi de la commande intégrée	
Lire la musique/Mettre la musique en pause/ Répondre et mettre fin aux appels	Appuyez une fois sur le bouton de commande.
Passer à la piste suivante	Appuyez deux fois sur le bouton de commande.
Passer à la piste précédente	Appuyez trois fois sur le bouton de commande.

Sélection de vos embouts en caoutchouc remplaçables et ajustement des écouteurs
A la livraison, les embouts en caoutchouc de taille Medium sont montés sur les écouteurs. Si ces derniers ne sont pas adaptés à vos oreilles, remplacez-les par des embouts de taille Small ou Large ou par des embouts en mousse Comply™. Il est important que les écouteurs soient correctement ajustés et confortables à porter ; un port incorrect compromettrait leur performance audio et de réduction de bruit.

Réduction de bruit uniquement

Pour activer la fonction de réduction de bruit, mettez l'interrupteur situé sur le boîtier de commande en position « ON ». Le voyant d'alimentation doit s'allumer (lumière rouge). Dans ce cas, il est inutile de brancher le câble des écouteurs sur l'appareil audio. Il suffit d'allumer les écouteurs et de les porter.

Après l'utilisation

- Lorsque vous n'utilisez plus les écouteurs, veillez à mettre l'interrupteur marche/arrêt en position « OFF ».
- Retirez la pile si vous ne comptez pas utiliser les écouteurs pendant une période prolongée.
- Rangez les écouteurs et ses accessoires dans l'étui de protection fourni.
- Pour nettoyer les écouteurs et le boîtier de commande, utilisez un chiffon propre et doux. Ne pas utiliser de solvants.
- Procédez régulièrement au nettoyage des embouts en caoutchouc. Pour cela, retirez-les des écouteurs et lavez-les à l'eau chaude. Assurez-vous que les embouts en caoutchouc sont complètement secs avant de les remonter sur les écouteurs. Vérifiez que rien ne bouche l'embout en caoutchouc.
- Les embouts en caoutchouc et les embouts Comply™ s'usent avec le temps. Vous pouvez vous procurer des embouts de rechange auprès des revendeurs Audio-Technica.

Dépannage

Problème

Absence de son.

- Solution**
- Vérifiez le branchement des écouteurs sur la rallonge et/ou votre équipement audio.
- Assurez-vous que votre équipement audio est allumé.
- Vérifiez que le volume de votre équipement audio n'est pas réglé sur zéro.

Le bruit ambiant n'est pas réduit.

- Vérifiez que les écouteurs intra-auriculaires sont bien ajustés. Vérifiez le type d'embouts choisis. (Des écouteurs mal adaptés compromettent les fonctions audio et réduction de bruit du produit.)
- Mettez l'interrupteur marche/arrêt en position « OFF », puis en position « ON ». (Il se peut que le bruit ambiant soit mal synchronisé par rapport à la fréquence de réduction du bruit.)
- Remplacez la pile du boîtier de commande. (La pile est peut-être épuisée.)
- Réduisez le volume de l'équipement audio/vidéo. (Il se peut que le volume sonore soit trop élevé.)
- Remplacez la pile du boîtier de commande. (La pile est peut-être épuisée.)
- Vérifier que les écouteurs et les embouts en caoutchouc ne sont pas obstrués par de la cire. Retirer la cire. (Les écouteurs sont peut-être sales.)

Caractéristiques techniques*

Transducteur : 13 mm, réduction de bruit active. **Réponse en fréquence** : 20 – 20 000 Hz. **Réduction de bruit active QuietPoint™** : jusqu'à 20 dB. **Sensibilité** : 105 dB. **Impédance** : 32 ohms. **Pile** : AAA (alcaline). **Durée de vie de la pile** : jusqu'à 60 heures (pile alcaline – durée standard). **Câble** : 1,3 m avec un mini-jack stéréo de 3,5 mm. **Poids** : 26 g (sans pile)

* Caractéristiques mesurées avec les écouteurs en mode activé. Les caractéristiques techniques données sous réserve de modifications sans préavis.

- Accendere il dispositivo audio. (Si consiglia di abbassare inizialmente il volume al minimo e di regolarlo dal dispositivo audio). Utilizzare il controllo volume degli auricolari ATH-ANC33iS per regolare il volume dell'audio. Il livello massimo del volume è limitato dalle impostazioni della sorgente audio. Se la funzione di riduzione del rumore e/o la risposta alle basse frequenze non sembrano funzionare correttamente, accertarsi che gli auricolari siano ben posizionati e che il cuscinetto aderisca bene al condotto uditivo.

Come utilizzare i comandi integrati	
Riprodurre musica/Sospendere riproduzione musica/ Rispondere e terminare una chiamata	Fare clic sul tasto di comando una volta
Passare alla traccia successiva	Fare doppio clic sul tasto di comando
Passare alla traccia precedente	Fare triplo clic sul tasto di comando

Scelta degli inserti in gomma intercambiabili e verifica del posizionamento degli auricolari
Al momento dell'acquisto, sugli auricolari sono applicati gli inserti di misura media. Qualora questi non fossero adatti, sostituirli con gli inserti di misura maggiore o minore oppure con i cuscinetti in schiuma Comply™. E' importante indossare l'inserto della misura adatta, in quanto l'utilizzo di un cuscinetto di misura errata non permette di sfruttare appieno né la funzione audio, né quella di riduzione del rumore.

Solo funzione di riduzione del rumore

Per attivare la funzione di riduzione del rumore, spostare l'interruttore dell'unità di controllo in posizione ON (luce rossa accesa). In questo caso è sufficiente accendere e indossare gli auricolari senza collegarli ad alcun dispositivo audio.

Dopo l'uso

- Dopo l'uso, posizionare l'interruttore su OFF.
- Se non si intende utilizzare gli auricolari per un lungo periodo di tempo, rimuovere la batteria.
- Riporre gli auricolari e gli accessori nella custodia protettiva.
- Per la pulizia degli auricolari e dell'unità di controllo, utilizzare un panno morbido e pulito. Non utilizzare solventi.
- Per la pulizia periodica degli inserti in gomma, rimuoverli dagli auricolari e lavarli con acqua calda. Prima di applicarli nuovamente sugli auricolari, accertarsi che siano completamente asciutti.
- Verificare la presenza di eventuali ostruzioni negli inserti in gomma.
- Gli inserti in gomma e i cuscinetti Comply™ si logorano col tempo. E' possibile acquistare gli inserti di ricambio presso i rivenditori Audio-Technica.

Guida alla risoluzione dei problemi

Problema

Assenza di audio

- Soluzione**
- Verificare il collegamento degli auricolari alla prolunga e/o al dispositivo audio.
- Assicurarsi che il dispositivo audio sia acceso.
- Accertarsi che il volume del dispositivo audio e degli auricolari sia ad un livello percepibile.

Il rumore ambientale non diminuisce

- Controllare il posizionamento degli auricolari. Controllare la misura degli inserti. (L'utilizzo di un inserto di misura errata non permette di sfruttare appieno né la funzione audio, né quella di riduzione del rumore.)
- Spegnere e riaccendere gli auricolari. (Il rumore ambientale potrebbe non essere sincronizzato con le frequenze di riduzione del rumore.)
- Sostituire la batteria posizionata nell'unità di controllo. (La batteria potrebbe essere esausta.)
- Abbassare il volume del dispositivo audio/video. (Il volume potrebbe essere troppo alto).
- Sostituire la batteria posizionata nell'unità di controllo. (La batteria potrebbe essere esausta.)
- Verificare l'eventuale accumulo di cerume negli auricolari e negli inserti. Rimuovere il cerume. (Gli auricolari potrebbero essere sporchi.)

Caratteristiche*

Driver: 13 mm, funzione di riduzione del rumore. **Risposta in frequenza**: 20 – 20 000 Hz. **Tecnologia QuietPoint™** per la riduzione attiva del rumore. Fino a 20 dB. **Sensibilità**: 105 dB. **Impedenza**: 32 ohm. **Batteria**: AAA (alcaline). **Durata batteria**: Fino a 60 ore, standard (alcaline). **Cavo**: 1,3 m con mini spinotto stereo da 3,5 mm. **Peso**: 26 g senza batteria

* Le caratteristiche si riferiscono agli in modalità attiva. Le caratteristiche sono soggette a variazioni senza preavviso.

Español

- Cancelación activa del ruido**: electrónica avanzada que reduce hasta el 90% del ruido de fondo, creando un entorno de escucha apacible.
- Sonido espectacular**: innovadores circuitos ANC que proporcionan una señal de audio excepcionalmente limpia en modo de cancelación del ruido.
- Control/micro en línea**: funciona con la mayoría de los smartphones y permite al usuario reproducir y detener la música, contestar y finalizar llamadas, así como pasar al tema siguiente o al anterior.
- Diseño ultra compacto**: diseño de tapón (intrauditivo) ideal para viajes.
- Modo pasivo**: funciones de audio (en el modo pasivo) incluso sin la pila.
- Rendimiento versátil**: ideales para el uso todo tipo de fuentes de audio, incluidos los reproductores MP3 y otros reproductores portátiles.

Características y accesorios incluidos

- Caja de control**: caja de control en línea que incorpora control de encendido/apagado y de volumen junto con los elementos electrónicos de cancelación del ruido.
- Indicador LED de alimentación**: se ilumina en rojo cuando el sistema está encendido.
- Interruptor de alimentación**: activa la función de cancelación de ruido cuando está encendido (ON). Los auriculares también actúan como auriculares estéreo cuando están apagados (OFF) sin función activa de cancelación de ruido.
- Control/micro en línea**: funciona con la mayoría de los smartphones y permite al usuario reproducir y detener la música, contestar y finalizar llamadas, así como pasar al tema siguiente o al anterior.
- Control de volumen**: controla el volumen de los auriculares en función del nivel de la fuente.
- Fundas de caucho reemplazables**: fundas de volumen de pequeñas, medianas y grandes que ofrecen un ajuste a la medida.
- Protectores de espuma Comply™**: sellan cómodamente el conducto auditivo (1 par).
- Auriculares**: un micrófono en miniatura en cada auricular absorbe el ruido ambiental (por ejemplo, tráfico, sistemas de aire acondicionado, etc.).
- Cable en Y**: cable en Y de 1,3 metros (4,3').
- Miniconector chapado en oro**: el miniconector estéreo (tipo L) de 3,5 mm (1/8").
- Adaptador de aerolínea**
- Pila AAA**
- Bolsa de vinilo protectora**

Instalación de la pila

El modelo ATH-ANC33iS requiere una pila AAA (incluida). Utilice solamente pilas alcalinas AAA desechables. **No utilice pilas recargables.**

- Sitúe el interruptor de alimentación de los auriculares en posición de apagado (OFF).
- Gire la caja de control para acceder al compartimento de la pila.
- Deslice la tapa de la pila en la dirección de la flecha para abrirla.
- Inserte la pila AAA, respetando la polaridad correcta indicada.
- Cierre la tapa del compartimento de la pila.

Uso de los auriculares

- Conecte el cable de los auriculares a la entrada correspondiente del dispositivo de audio.
 - Utilice el miniconector estéreo de 3,5 mm (1/8") para conectar los auriculares a reproductores MP3, reproductores de CD y DVD, PC y otros dispositivos de audio equipados con un conector de salida de 3,5 mm.
 - Utilice el adaptador de aerolínea para conectar los auriculares a los sistemas de audio clásicos de las líneas aéreas.
 - Nota**: para utilizar los auriculares con dispositivos equipados con entradas para auriculares de 2,5 mm o 1/4", es necesario adquirir un adaptador. Para utilizar los auriculares con dispositivos mono, debe adquirir el adaptador mono/estéreo opcional. (Sin el uso de un adaptador, el canal derecho se queda en silencio cuando se conectan los auriculares a un dispositivo mono.)
- Coloque el auricular (izquierdo (indicado con una L) en su oreja izquierda y el auricular derecho (indicado con una R) en la derecha.
 - Nota**: las designaciones L y R se encuentran en la base del elemento de alivio de tensión del cable, cerca de donde el cable sale del auricular. Inserte la funda de caucho del auricular en su oreja para que encaje de una forma cómoda. Si el encaje no es perfecto, consulte el apartado Selección de las fundas de caucho reemplazables y ajuste de los auriculares. No empuje las fundas de caucho más allá de la entrada del conducto auditivo. Para utilizar los protectores de espuma Comply™: tras insertarlos en los auriculares, colóquelos entre sus dedos y aplástelos mediante movimientos circulares. El protector aumentará de tamaño para ajustarse una vez que se inserte en la entrada del conducto auditivo.
- Para activar la función de cancelación del ruido, sitúe el interruptor de alimentación de la caja de control en posición de encendido (ON); debe iluminarse el indicador de alimentación (rojo). (Si no desea utilizar la función de cancelación activa del ruido, sitúe el interruptor de alimentación en posición de apagado [OFF].)

Deutsch

- Aktive Geräuschunterdrückung** – modernste Elektronik unterdrückt bis zu 90% der Hintergrundgeräusche und ermöglicht ungestörtes Hörgenuss oder himmlische Ruhe
- Spektakulärer Sound** – Die innovative ANC-Schaltung bietet ein außergewöhnlich klares Audiosignal im Noise-Cancelling-Modus
- Eingebauter Regler/Mikrofon** – Ist für die meisten Smartphones geeignet und bietet folgende Funktionen: Musik abspielen/anhalten, Anrufe annehmen und beenden und das nächste/vorherige Stück anwählen
- Ultrakompaktes Design** – Ohrschalenkopfhörer sind ideal für unterwegs
- Passiver Modus** – Audio-Funktionen (im passiven Modus) sogar ohne Batterie
- Vielseitiger Einsatz** – ideal für die Verwendung mit allen Audioquellen einschließlich MP3-Playern und sonstigen tragbaren Abspielgeräten

Funktionen und enthaltenes Zubehör

- Steuerelement** – in die Verkabelung integriertes Steuerelement beinhaltet Ein/Aus- und Monitorschalter sowie die Elektronik zur aktiven Geräuschunterdrückung.
- LED-Betriebsanzeige** – leuchtet im Betrieb rot.
- Einschalter** – aktiviert die Geräuschunterdrückung bei Betrieb ON (EIN). Kopfhörer arbeiten bei Betrieb OFF (AUS) als Stereokopfhörer auch ohne aktive Geräuschunterdrückung.
- Eingebauter Regler/Mikrofon** – Ist für die meisten Smartphones geeignet und bietet folgende Funktionen: Musik abspielen/anhalten, Anrufe annehmen und beenden und das nächste/vorherige Stück anwählen.
- Laustärkeregler** – Regelt die Kopfhörerlautstärke abhängig vom Ausgangspegel der Audioquelle.
- Austauschbare Gummikappen** – kleine, mittlere und große Ohrstücke für individuelle Passform.
- Comply™-Schaumstoffspitzen** – Abschluss des Gehörgangs mit hohem Tragekomfort (1 Paar).
- Kopfhörer** – verfügen in jedem Ohrstück über ein Miniaturmikrofon, das Umgebungsgeräusche wie beispielsweise Verkehrslärm, Klimaanlagegeräusche usw. aufnimmt.
- Y-Kabel – 1,3 Meter langes Y-Kabel.
- Vergoldeter Mini-Klinkenstecker** – 3,5 mm Stereo-Mini-Klinkenstecker (L-Typ).
- Fluglinien-Adapter**
- Alkalibatterie**
- Schutzetui aus Vinyl**

Einlegen der Batterie

Der ATH-ANC33iS benötigt zum Betrieb eine Alkalibatterie (nicht enthalten). Verwenden Sie ausschließlich hochwertige Einmal-Alkalibatterien. **Verwenden Sie keine wieder aufladbaren Batterien.**

- Stellen Sie den Einschalter der Kopfhörer auf die Position OFF (AUS).
- Drehen Sie das Steuerelement um, um an das Batteriefach zu gelangen.
- Öffnen Sie das Batteriefach, indem Sie die Abdeckung in Richtung des darauf abgebildeten Pfeils schieben.
- Legen Sie die Batterie ein und achten Sie dabei auf die richtige Polarität wie markiert.
- Schließen Sie die Batteriefachabdeckung.

Benutzen Ihrer Kopfhörer

- Verbinden Sie das Kopfhörerkaabel mit dem Kopfhöreranschluss Ihres Audiogeräts.
 - Verwenden Sie den 3,5 mm Stereo-Mini-Klinkenstecker zum Anschluss an ein MP3-Gerät, CD-Spieler, DVD-Spieler, Computer und andere Audiogeräte mit einer 3,5 mm Ausgangsbuchse.
 - Verwenden Sie den beliebigen Doppelstecker-Adapter zum Anschluss an typische Fluglinien-Audiosysteme.
 - Hinweis**: Die Kopfhörer können ohne Adapter nicht an Geräten mit 2,5 mm Ohrhöreranschluss betrieben werden (separat zu erwerben). Bitte erwerben Sie einen Mono/Stereo-Adapter zum Anschluss an Monogeräte (ebenfalls separat zu erwerben). (Ohne einen solchen Adapter wird der rechte Kanal stumm geschaltet, wenn die Kopfhörer an einem Monogerät betrieben werden.)
- Tragen Sie den linken Ohrhörer (mit L markiert) in Ihrem linken Ohr und den rechten Ohrhörer (mit R markiert) in Ihrem rechten Ohr.
 - Hinweis**: Die L- und R-Bezeichnungen befinden sich an der Basis der Kabelzugentlastung, dort wo die Kabel aus den Kopfhörern kommen. Setzen Sie die Ohrhörer mit den Gummikappen so in Ihre Ohrmuscheln ein, dass sie fest und bequem sitzen. Falls der Sitz nicht richtig ist, lesen Sie bitte unter „Auswahl der austauschbaren Gummikappen“ weiter unten nach. Drücken Sie die Ohrhörer nicht tiefer als bis zur Gehörgangsöffnung hinein.
- Verwenden Sie die Comply™-Schaumstoffspitzen: Komprimieren Sie die Schaumstoffspitzen nach der Installation auf dem Kopfhörer, indem Sie sie zwischen den Fingerspitzen hin- und herrollen. Die Spitzen dehnen sich wieder aus, nachdem Sie sie ins Ohr eingesetzt haben.
- Wenn Sie die Geräuschunterdrückung aktivieren möchten, stellen Sie den Einschalter an Ihrem Steuerelement auf die Position ON (EIN); die Betriebsanzeige sollte leuchten (rot). (Falls Sie die Funktion zur aktiven Geräuschunterdrückung nicht benutzen möchten, stellen Sie den Einschalter auf die Position OFF (AUS).)

- Encienda el dispositivo de audio. (Inicialmente, el volumen debe definirse en un nivel bajo; realice los ajustes necesarios en el dispositivo de audio.) Utilice el control de volumen situado en la caja de control de los auriculares ATH-ANC33iS para ajustar el volumen de la música. El volumen máximo depende de la configuración de la fuente musical. Si la cancelación del ruido y/o la respuesta a frecuencias graves parecen no funcionar, compruebe que los auriculares ajustan correctamente y que la funda de caucho del auricular está bien encajada en el conducto auditivo.

Uso del control en línea	
Reproducir música/Detener música/ Contestar y finalizar llamadas	Pulse el botón de control una vez
Passar al tema siguiente	Pulse el botón de control dos veces
Passar al tema anterior	Pulse el botón de control tres veces

Selección de las fundas de caucho reemplazables y ajuste de los auriculares

Los auriculares vienen de fábrica con las fundas de caucho de tamaño mediano instaladas. Si no encajan en sus orejas, sustitúyalas por las de tamaño pequeño o grande, o por los protectores de espuma Comply™. Es muy importante un ajuste adecuado y cómodo; un ajuste incorrecto disminuirá el rendimiento de las funciones de cancelación del ruido y audio de los auriculares.

Sólo cancelación del ruido

Para activar la función de cancelación del ruido, sitúe el interruptor de alimentación de la caja de control en posición de encendido (ON); debe iluminarse el indicador de alimentación (rojo). En este caso, no es necesario conectar el cable del auricular a un dispositivo de audio; simplemente encienda los auriculares y póngaselos.

Después del uso

- Cuando haya terminado de usar los auriculares, asegúrese de situar el interruptor de alimentación en posición de apagado (OFF).
- Retire la pila cuando no vaya a usar los auriculares durante un período prolongado.
- Almacene los auriculares y los accesorios en la funda protectora incluida.
- Para limpiar los auriculares, pase un paño suave y limpio por el auricular y la caja de control. No utilice disolventes.
- Para realizar una limpieza periódica de las fundas de caucho, retírelas de los auriculares y lávelas con agua templada. Asegúrese de que las fundas de caucho están completamente secas antes de volver a colocarlas en los auriculares. Compruebe que no hay nada que obstruya la funda de caucho.
- Las fundas de caucho y los protectores Comply™ se desgastan con el tiempo. Puede conseguir fundas de recambio a través de los distribuidores de Audio-Technica.

Solución de problemas		Solución
Problema		
No hay sonido		<ul style="list-style-type: none">Compruebe las conexiones de los auriculares en el cable alargador y/o del equipo de audio. Asegúrese de que el equipo de audio está encendido. Compruebe que el volumen del equipo de audio y de los auriculares es el adecuado.
No se reduce el ruido ambiental		<ul style="list-style-type: none">Compruebe el ajuste de los auriculares. Compruebe el tipo de funda elegido. (Un ajuste incorrecto disminuirá el rendimiento de las funciones de cancelación del ruido y audio de los auriculares.) Apague el interruptor y enciéndalo de nuevo. (Puede que el ruido ambiental no está sincronizado con la frecuencia de cancelación de ruido.) Cambie la pila en la caja de control. (Podría estar agotada.) Baje el volumen del equipo de audio/video. (Puede que el volumen esté demasiado alto.) Cambie la pila en la caja de control. (Podría estar agotada.) Compruebe si se ha formado cera en el auricular o en las fundas. Retire la cera. (Es posible que el auricular esté sucio.)
No se reduce el ruido ambiental		
El sonido distorsiona		

Especificaciones*

Elemento: 13 mm, cancelación activa del ruido; **Respuesta de frecuencia**: 20 – 20 000 Hz. **Reducción activa del ruido QuietPoint™**: hasta 20 dB. **Sensibilidad**: 105 dB. **Impedancia**: 32 ohmios; **Pila**: AAA (alcalina); **Duración de la pila**: hasta 60 horas, típica (alcalina); **Cable**: cable de 1,3 m con un miniconector de 3,5 mm; **Peso**: 26 g (sin pila)

* Mediciones realizadas con los auriculares en modo activo. Las especificaciones están sujetas a cambios, sin previo aviso.

Italiano

- Riduzione attiva del rumore** – L'elettronica avanzata permette di ridurre fino al 90% del rumore di fondo, creando un ambiente di ascolto tranquillo e rilassante.
- Suono spettacolare** – L'innovativa circuiteria ANC trasmette un segnale audio straordinariamente pulito in modalità riduzione del rumore.
- Controllo microfono integrato** – Funziona con la maggior parte degli smartphone e permette all'utente di riprodurre o mettere in pausa la musica, di prendere e terminare una chiamata e di passare alla traccia successiva o precedente.
- Design ultra-compacto** – Design auricolare compatto, ideale in viaggio.
- Modalità passiva** – Funzionalità audio (in modalità passiva) anche in assenza di batteria.
- Performance versatile** – Ideali per essere utilizzati con tutte le sorgenti audio, inclusi lettori MP3 e altri dispositivi portatili.

Caratteristiche del prodotto e accessori in dotazione

- Unità di controllo – sull'unità di controllo integrata sono presenti l'interruttore on/off, il controllo volume e l'elettronica per la riduzione del rumore.
- LED di accensione** – quando l'interruttore è in posizione ON, la spia rossa è accesa.
- Interruttore** – quando l'interruttore è in posizione ON, la funzione di riduzione del rumore è attiva. Gli auricolari funzionano in modalità stereo anche in posizione OFF, cioè senza la funzione di riduzione del rumore.
- Controllo microfono integrato** – Funziona con la maggior parte degli smartphone e permette all'utente di riprodurre o mettere in pausa la musica, di prendere e terminare una chiamata e di passare alla traccia successiva o precedente.
- Controllo volume** – regola il volume degli auricolari in base al livello della sorgente audio.
- Inserti auricolari in gomma intercambiabili** – sono disponibili nella misura piccola, media e grande per garantire un comfort personalizzato.
- Cuscinetti in schiuma Comply™** – garantiscono un maggiore isolamento del condotto uditivo (1 paio).
- Auricolari** – il microfono miniaturizzato integrato in ciascun auricolare è in grado di captare il rumore ambientale (ad esempio traffico, sistemi di condizionamento dell'aria, ecc.).
- Cavo a Y** – lunghezza 1,3 metri.
- Mini spinotto placcato oro** – mini spinotto stereo da 3,5 mm.
- Adattatore per aereo**
- Batteria AAA**
- Custodia protettiva in vinile**

Installazione della batteria

Gli auricolari ATH-ANC33iS funzionano con una batteria AAA (inclusa). Utilizzare solo batterie alcaline AAA di tipo «usa e getta». **Non utilizzare batterie ricaricabili.**

- Spostare l'interruttore in posizione OFF.
- Accedere allo scomparto batterie situato sul retro dell'unità di controllo.
- Aprire il coperchio dello scomparto batterie facendolo scorrere nella direzione della freccia.
- Inserire una batteria AAA, prestando attenzione alla polarità.
- Chiudere il coperchio dello scomparto batterie.

Utilizzo

- Collegare il cavo degli auricolari all'uscita auricolari del dispositivo audio.
 - Utilizzare un mini spinotto stereo da 3,5 mm (1/8") per collegare lettori MP3, CD e DVD, computer e altri dispositivi audio dotati di un'uscita da 3,5 mm.
 - Utilizzare l'adattatore per aereo in dotazione per collegare gli auricolari all'impianto audio degli aeromobili.
 - Nota**: Per utilizzare gli auricolari con dispositivi dotati di uscite da 2,5 mm o 1/4" è necessario un adattatore apposito (non in dotazione). Si consiglia l'acquisto di un adattatore mono/stereo per l'utilizzo con dispositivi mono. (Collegando gli auricolari a un dispositivo mono senza l'uso di un adattatore, si avrà totale assenza di segnale audio dal canale destro.)
- Indossare l'auricolare sinistro (contrassegnato dalla lettera L) nell'orecchio sinistro e l'auricolare destro (contrassegnato dalla lettera R) nell'orecchio destro.
 - Nota**: Le indicazioni L e R si trovano alla base del serracavo, vicino al raccordo tra cavo e auricolare. Posizionare gli inserti in gomma sugli auricolari per un comfort ottimale. Se gli auricolari non sono della misura giusta, consultare il paragrafo *Scelta degli inserti in gomma intercambiabili e verifica del*