

# A 118



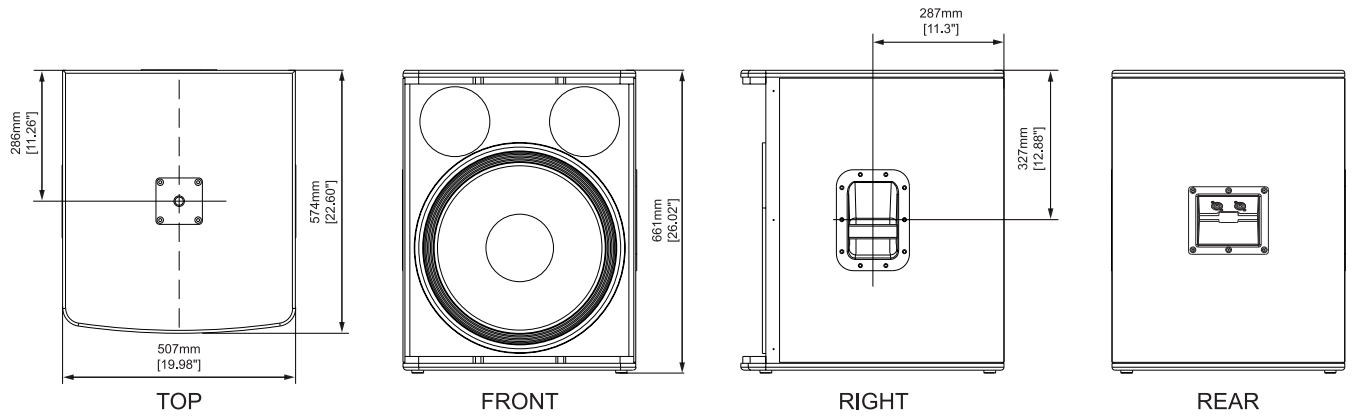
- EVS-18K 18-inch woofer provides extended low-frequency output
- 40–200 Hz frequency range
- 96 dB SPL sensitivity, 128 dB max. SPL
- 400 W continuous, 1600 W peak power
- 15 mm plywood enclosure

Clear, powerful and musical DYNACORD loudspeakers command the stage at high-profile venues and major events worldwide. Born stage-ready, the A-Line includes powered and passive models that all feature DYNACORD-engineered components in solid wood cabinets. Wherever performance matters, A-Line is serious gear for serious sound.

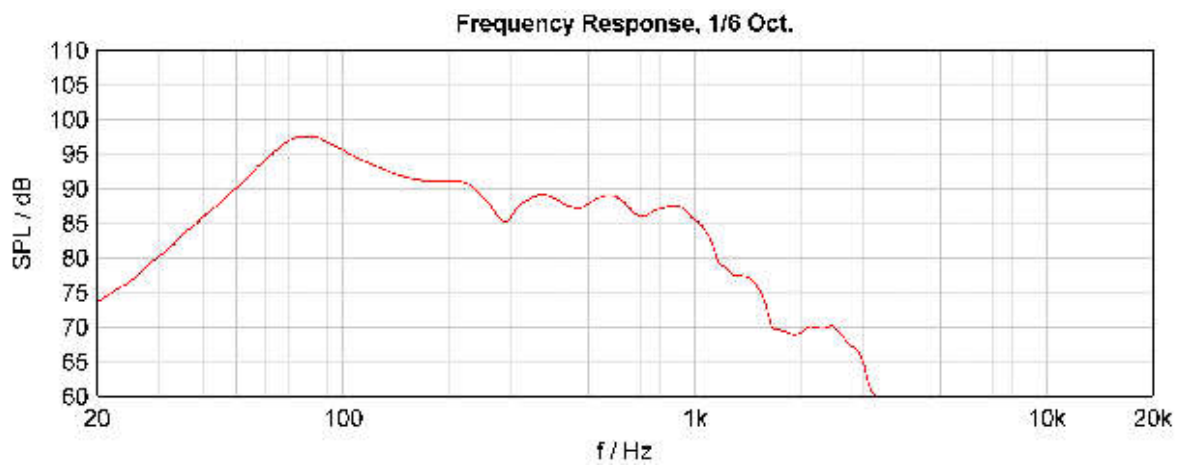
## Technical specifications

Cabinet	Subwoofer, vented design
Nominal impedance	8 Ω
Minimum impedance	6.7 Ω
Power handling	
• continuous	400 W
• program	800 W
• peak	1600 W
Max. SPL (calculated with peak power)	128 dB
Axial sensitivity	96 dB
Frequency range (-10 dB)	40–200 Hz
Recommended HP frequency	30 Hz

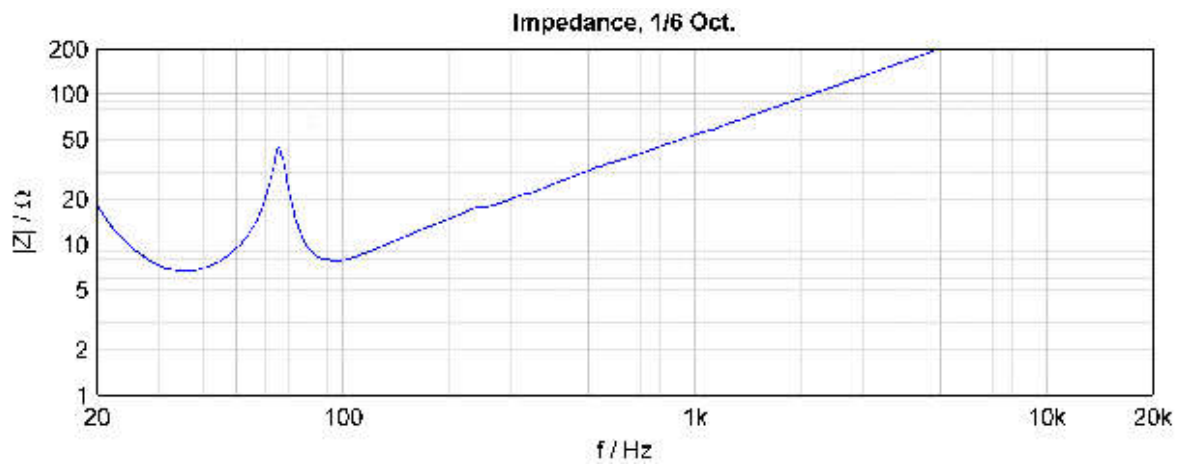
Coverage angle nominal	Omnidirectional
LF transducer	1 x EVS-18K, 457 mm (18-inch)
Connectors	2 x NL4-type
Pole mount	Threaded M20
Handle	2
Enclosure material	9-ply, 15 mm Plywood, internally braced
Enclosure finish	Textured paint
Grille	18 gauge steel with black powder coat
Product dimensions (Width x Height x Depth)	507 x 661 x 574 mm
Shipping dimensions (Width x Height x Depth)	575 x 738 x 642 mm
Net weight	30.6 kg
Shipping weight	37.3 kg



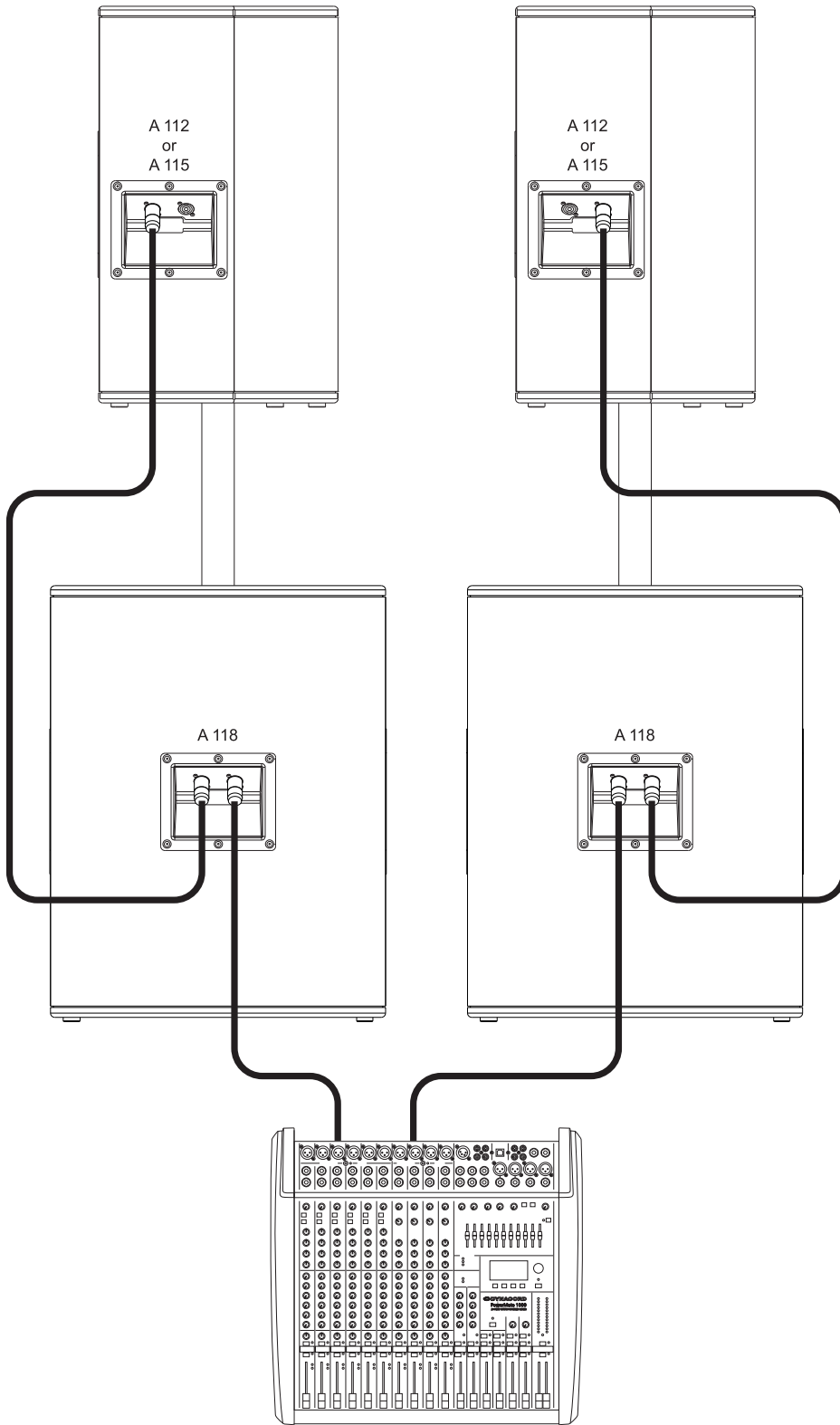
Dimensions



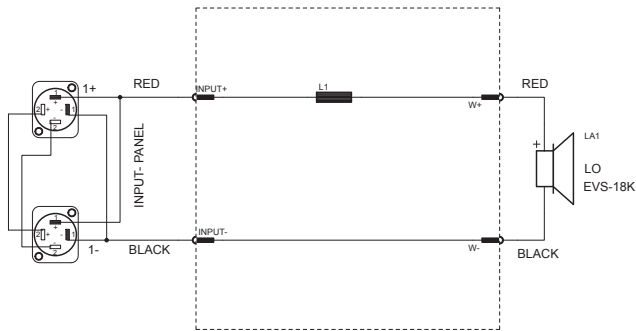
Frequency response



Impedance



System example, two A 115 and two A 118 subwoofers connected to a PowerMate 1000-3



Circuit diagram

## Installation/configuration notes

### Warning!



We expressly point out that the relevant safety regulations must be observed for “flying” loudspeaker systems. It is imperative that qualified expert advice is sought.

### Warning!



This loudspeaker system can permanently damage hearing! Use extreme care when setting sound pressure levels!

### Warning!



Consult a certified structural engineer before any attempt to suspend this loudspeaker!

Loudspeaker can fall from improper suspension, resulting in severe injury and damage of property. Do not suspend or mount any other product or device from this loudspeaker enclosure! Use grade 5 hardware or better only!

## Ordering information

### A 118

18-inch subwoofer cabinet; 8 Ω; 800 W program power  
Order number **DC-A118**

### Accessories

#### SH-A118

Dustcover for A 118 / A 118A  
Order number **DC-SH-A118**