



Engineering Data Sheet

A 115

15-inch two-way full-range cabinet, passive

Features:

- DH-1K 1.5-inch Titanium Diaphragm Compression Driver
- EVS-15K 15-inch Woofer
- 97 dB SPL sensitivity, 129 dB max. SPL
- 400 W continuous, 1600 W peak power
- 15 mm Plywood Enclosure



Wir weisen ausdrücklich darauf hin, dass bei gehängten Lautsprecherboxen die einschlägigen Sicherheitsbestimmungen zu beachten sind. Es muss unbedingt qualifizierte Fachberatung in Anspruch genommen werden!

We expressly point out that the relevant safety regulations must be observed for "flying" loudspeaker systems. It is imperative that qualified expert advice is sought.

WARNING:

THIS LOUDSPEAKER SYSTEM CAN PERMANENTLY DAMAGE HEARING!
USE EXTREME CARE WHEN SETTING SOUND PRESSURE LEVELS!

DANGER:

CONSULT A CERTIFIED STRUCTURAL ENGINEER BEFORE ANY ATTEMPT TO SUSPEND THIS LOUDSPEAKER! LOUDSPEAKER CAN FALL FROM IMPROPER SUSPENSION, RESULTING IN SEVERE INJURY AND DAMAGE OF PROPERTY. DO NOT SUSPEND OR MOUNT ANY OTHER PRODUCT OR DEVICE FROM THIS LOUDSPEAKER ENCLOSURE! USE GRADE 5 HARDWARE OR BETTER ONLY!

Order No.	A115: F01U270186
Cabinet	Full Range
Nominal impedance	8 Ohms
Minimum impedance	7.4 Ohms
Power Handling	
continuous	400 W
program	800 W
peak	1600 W
Max. SPL (calculated with peak power)	129 dB
Axial Sensitivity	97 dB
Frequency Range (-10 dB)	55 Hz to 20 kHz
Frequency Response (-3 dB)	75 Hz to 18 kHz
Recommended HP Frequency	40 Hz
Coverage (Horizontal x Vertical)	90° x 50°
LF Transducer	1 x EVS-15K, 381 mm (15"), F01U250940
HF Transducer	DH-1K, 39 mm (1.5"), Titanium Diaphragm Compression Driver, F01U250928
Crossover Frequency	2.1 kHz
Connectors	2 x NL4-type
Enclosure Material	9-ply, 15 mm Plywood, internally braced, with textured paint
Grille	18-GA Steel with black powdercoat
Handles	2
Product Dimensions (H x W x D)	708 x 432 x 382 mm
Shipping Dimensions (H x W x D)	785 x 500 x 450 mm
Net Weight	21.9 kg
Shipping Weight	27.1 kg
Warranty	5 years
Optional Accessories	
VPM 1500, variable speaker pole	F01U141047
BS 35, speaker stand	F01U141046
SH-A115, Dust Cover	F01U270396
Recommended extensions	
A 118 Subwoofer	F01U270187

Description

Clear, powerful and musical DYNACORD loudspeakers command the stage at high-profile venues and major events worldwide. Born stage-ready, the A-Line includes powered and passive models that all feature DYNACORD-engineered components in solid wood cabinets. Wherever performance matters, A-Line is serious gear for serious sound.

Illustration 1: Dimensions

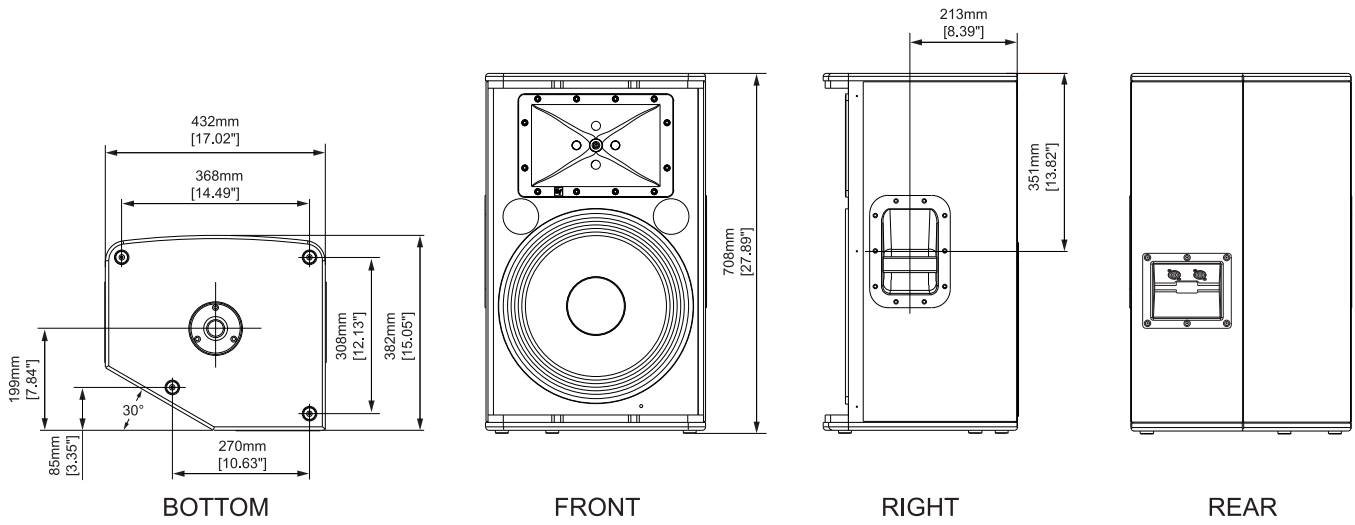


Illustration 2: Circuit diagram

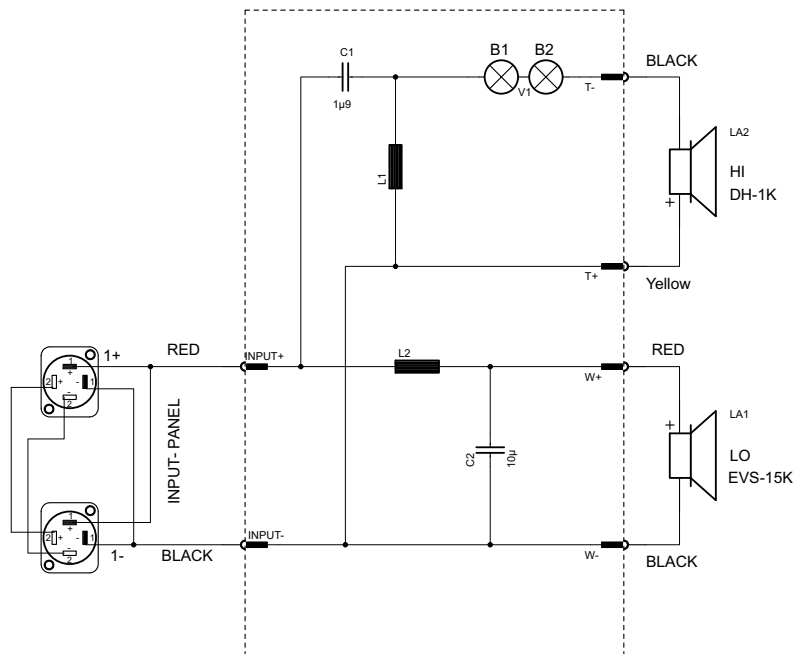


Illustration 3: Frequency Response

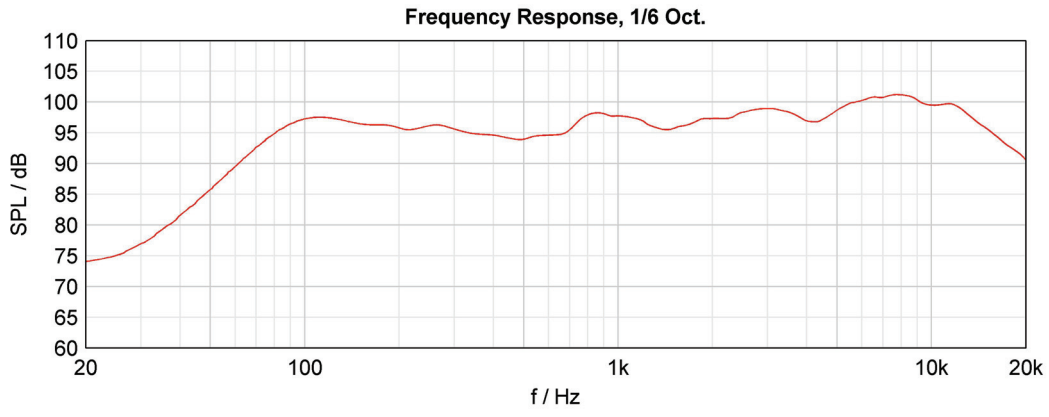


Illustration 4: Impedance

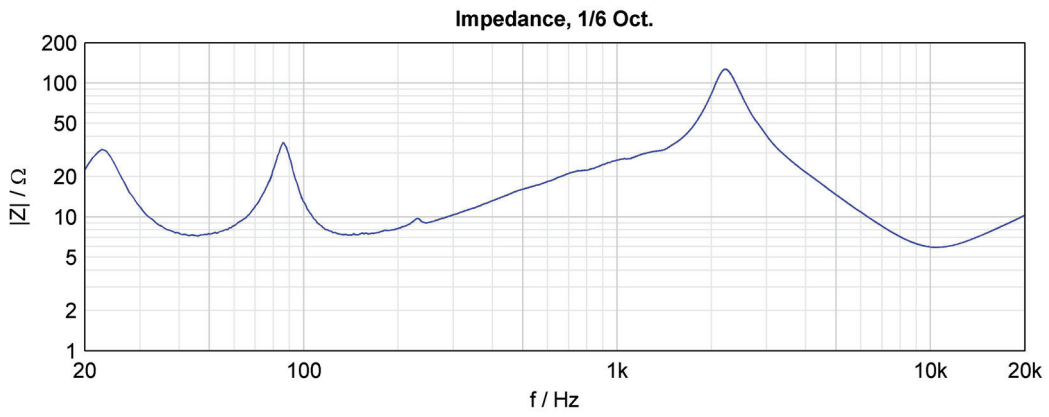


Illustration 5: System example, four A 115 connected to the two output channels of a DYNACORD SL 1200 power amplifier

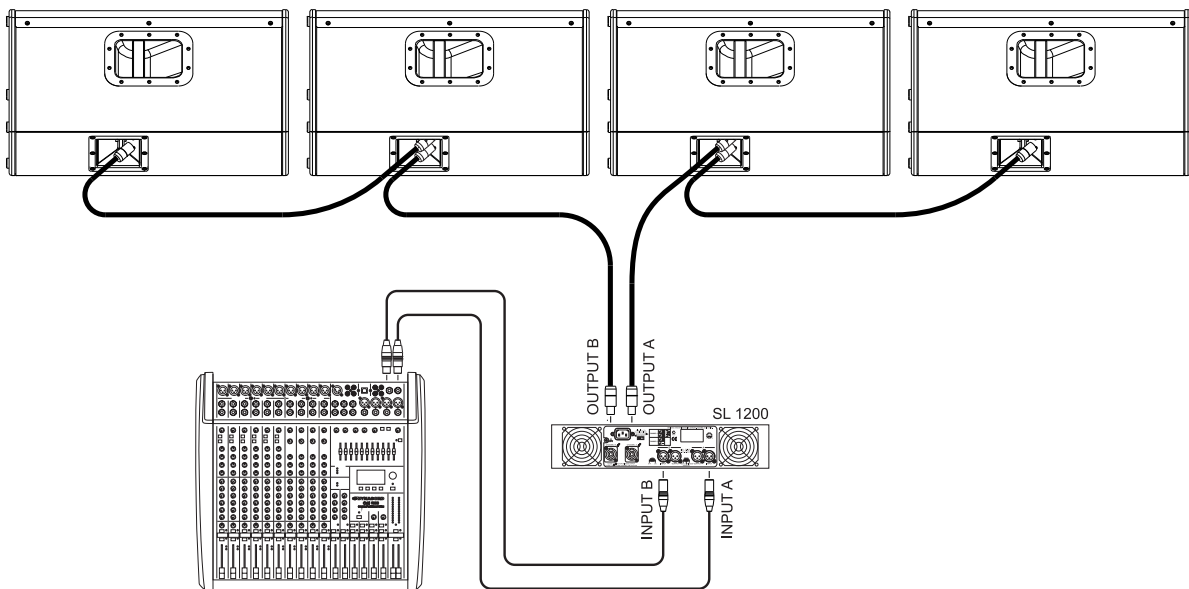


Illustration 6: System example, two A 112 connected to a SL 1200 power amplifier, a CMS 1000-3 is used as signal source

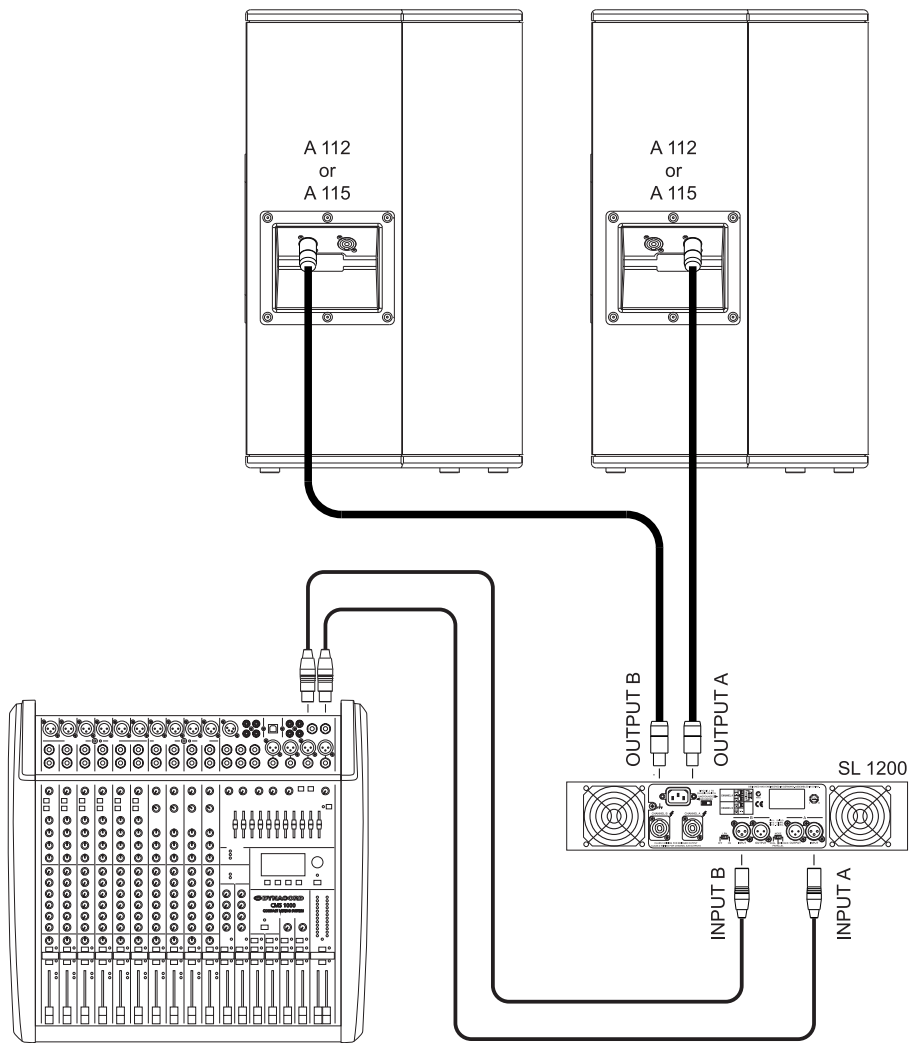
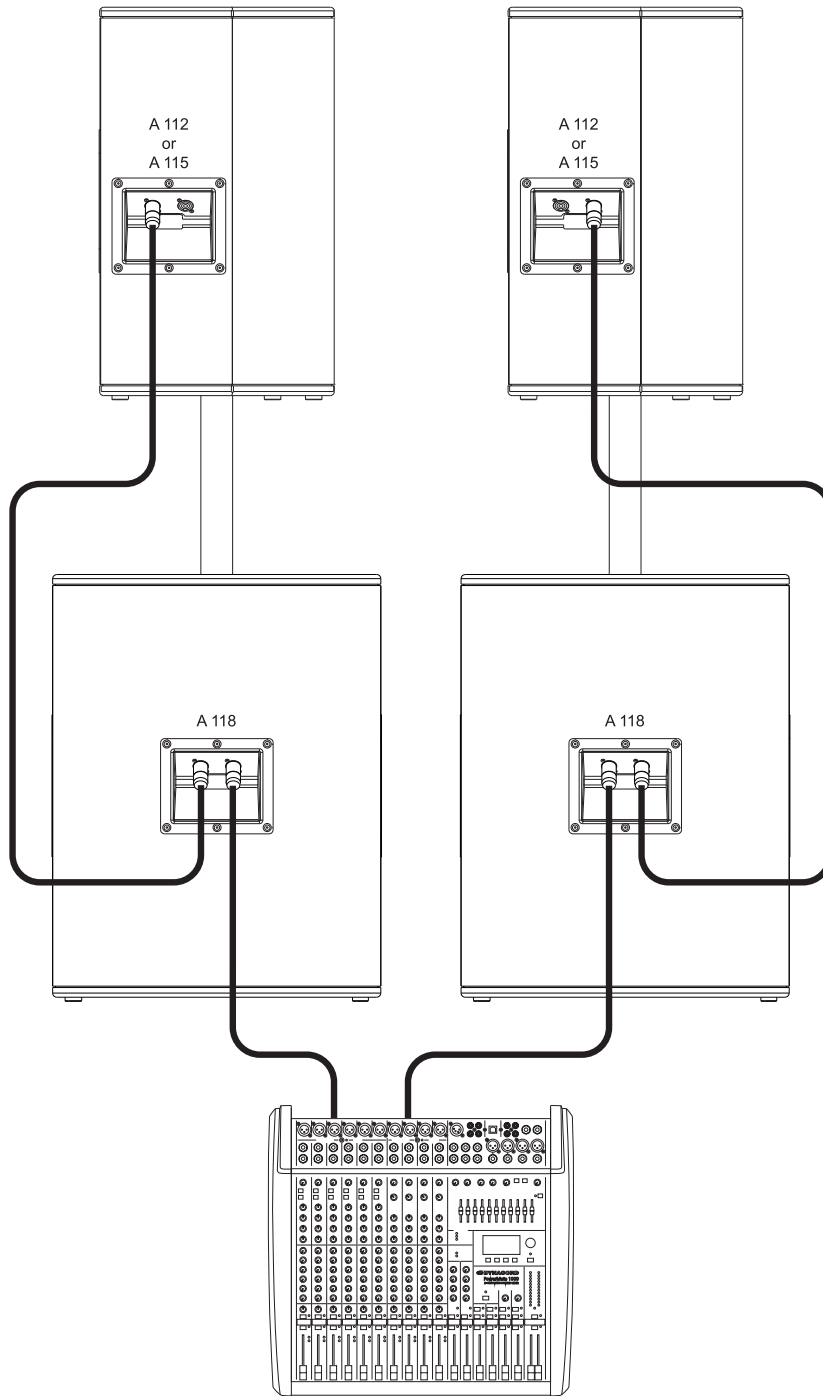


Illustration 7: System example, two A 115 and two A 118 subwoofers connected to a PowerMate 1000-3





12000 Portland Avenue South, Burnsville, MN 55337, USA
Phone: +1 952/844-4051, Fax: +1 952/884-0043

www.dynacord.com

© Bosch Communications Systems 10/2012

Part Number F01U270186 Vs 03

Europe, Africa, and Middle East only. For customer orders, contact Customer Service at:
+49 9421-706 0 Fax: +49 9421-706 265

Asia & Pacific only. For customer orders, contact Customer Service at:
+65 6571 2534 Fax: +65 6571 2699

For technical assistance, contact Technical Support at: **+49 9421-706 0**

Specifications subject to change without notice.