



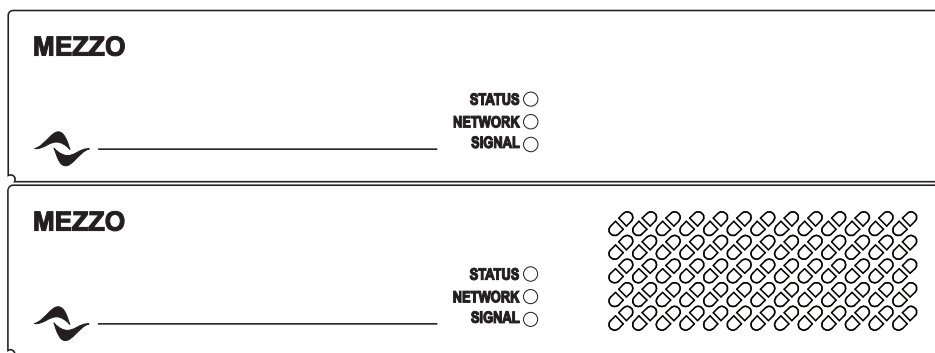
Mezzo Series

Serie Mezzo / Mezzo-Serie / Mezzo Série
Serie Mezzo / Série Mezzo
Mezzo سلسله / Mezzo شيريز /
Mezzo 系列

USER GUIDE

GUIDA UTENTE / BENUTZERHANDBUCH / MODE D'EMPLOI
GUÍA DEL USUARIO / GUIA DE USUARIO
مدخ تسملا ليلد / يوزر جايد
快速指南

Mezzo 322, Mezzo 324 A/AD
Mezzo 602, Mezzo 604 A/AD



Important Safety Instructions



THE TRIANGLE WITH THE LIGHTNING BOLT IS USED TO ALERT THE USER TO THE RISK OF ELECTRIC SHOCK.



THE TRIANGLE WITH THE EXCLAMATION POINT IS USED TO ALERT THE USER TO IMPORTANT OPERATING OR MAINTENANCE INSTRUCTIONS.



THE CE-MARK INDICATES THE COMPLIANCE OF THE PRODUCT TO ALL THE APPLICABLE EUROPEAN DIRECTIVES



SYMBOL FOR EARTH/GROUND CONNECTION.



SYMBOL INDICATING THAT THE EQUIPMENT IS FOR INDOOR USE ONLY.



SYMBOL FOR CONFORMITY WITH DIRECTIVE 2012/19/EC OF THE EUROPEAN PARLIAMENT ON WASTE ELECTRICAL AND ELECTRONIC EQUIPMENT (WEEE).



-10°C TO +45°C DERATING ABOVE 35°C.



10% TO 90% HUMIDITY (NON CONDENSING).



DO NOT USE THE UNIT AT ALTITUDES ABOVE 2000 M.



DO NOT USE THE UNIT IN TROPICAL ENVIRONMENT.



WARNING: TO REDUCE THE RISK OF ELECTRIC SHOCK, DO NOT ATTEMPT TO OPEN ANY PART OF THE UNIT. NO USER-SERVICEABLE PARTS INSIDE. REFER SERVICING TO QUALIFIED SERVICE PERSONNEL.



CONNECTION TO THE MAINS SHALL BE DONE ONLY BY A ELECTROTECHNICAL SKILLED PERSON ACCORDING THE NATIONAL REQUIREMENTS OF THE COUNTRIES WHERE THE UNIT IS SOLD.



DO NOT USE THIS AMPLIFIER IF THE ELECTRICAL POWER CORD IS FRAYED OR BROKEN.



TO AVOID ELECTRICAL SHOCK, DO NOT TOUCH ANY EXPOSED SPEAKER WIRING WHILE THE AMPLIFIER IS OPERATING.



DO NOT SPILL WATER OR OTHER LIQUIDS INTO OR ON THE AMPLIFIER.



NO NAKED FLAME SOURCES SUCH AS LIGHTED CANDLES SHOULD BE PLACED ON THE AMPLIFIER.



WARNING TO PREVENT INJURY, THIS APPARATUS MUST BE SECURELY ATTACHED TO THE FLOOR/WALL IN ACCORDANCE WITH THE INSTALLATION INSTRUCTIONS.



THIS DEVICE MUST BE POWERED EXCLUSIVELY BY EARTH CONNECTED MAINS SOCKETS IN ELECTRICAL NETWORKS COMPLIANT TO THE IEC 364 OR SIMILAR RULES



DISCONNECT THE AC MAINS SOURCE BEFORE ATTEMPTING TO CLEAN ANY PART OF THE AMPLIFIER



THE BREAKER NEEDS TO SUPPORT 375 VA PER MEZZO, SO MAX 3 MEZZO PER OUTLET AT 115V 10A, OR MAX 6 MEZZO PER OUTLET WITH 230V 10A



IT IS HIGHLY RECOMMENDED TO UNPLUG THE OUTPUT CONNECTORS BEFORE PROCEEDING WITH THE SELF CHECK PROCEDURE



THE TESTING SIGNALS MIGHT CAUSE LOUDSPEAKER IMPAIRMENTS.



CLASS2 WIRING

OUTPUT TERMINALS ARE HAZARDOUS: WIRING CONNECTION TO THESE TERMINALS REQUIRES INSTALLATION BY AN INSTRUCTED PERSON AND THE USE OF READY MADE LEADS.



PROPERLY FIT THE AC MAINS PLUG TO THE AMPLIFIER INLET. BEFORE POWERING THIS AMPLIFIER, VERIFY THAT THE CORRECT VOLTAGE RATING IS BEING USED.



VERIFY THAT YOUR MAINS CONNECTION IS CAPABLE OF SATISFYING THE POWER RATINGS OF THE DEVICE.



TAKE CARE TO LOCK THE OUTPUT TERMINAL BEFORE SWITCHING THE DEVICE ON.



CAUTION

RISK OF ELECTRIC SHOCK DO NOT OPEN



This unit has been engineered and manufactured to ensure your personal safety. But IMPROPER USE CAN RESULT IN POTENTIAL ELECTRICAL SHOCK OR FIRE HAZARD.

In order not to defeat the safeguards incorporated into this product, observe the following basic rules for its installation, use and service. Please read these "Important Safeguards" carefully before use.

- Read these instructions.
- Keep these instructions.
- Heed all warnings.
- Follow all instructions.
- Do not use this equipment near water.
- Clean only with a dry cloth.
- Do not block any ventilation openings. Install in accordance with the manufacturer's instructions.
- Do not install near any heat sources such as radiators, heat registers, stoves, or other apparatus that produce heat.
- Do not defeat the safety purpose of the polarized or grounding-type plug. A polarized plug has two blades with one wider than the other. A grounding-type plug has two blades and a third grounding prong. The wide blade or the third prong are provided for your safety. If the provided plug does not fit into your outlet, consult an electrician for replacement of the obsolete outlet.
- Protect the power cord from being walked on or pinched particularly at plugs, convenience receptacles, and the point where they exit from the apparatus.
- Only use attachments/accessories specified by the manufacturer.
- Use only with the cart, stand, tripod, bracket, or table specified by the manufacturer, or sold with the apparatus. When a cart is used, use caution when moving the cart/apparatus combination to avoid injury from tip-over.
- Unplug this apparatus during lightning storms or when unused for long periods of time.
- Refer all servicing to qualified service personnel. Servicing is required when the apparatus has been damaged in any way, such as power-supply cord or plug is damaged, liquid has been spilled or objects have fallen into the apparatus, the apparatus has been exposed to rain or moisture, does not operate normally, or has been dropped.
- The apparatus shall be connected to a MAINS socket outlet with a protective earthing connection
- Where the MAINS plug or an appropriate coupler is used as the disconnect device, the disconnect device shall remain readily operable.



THE MANUFACTURER CANNOT BE HELD RESPONSIBLE FOR DAMAGES CAUSED TO PERSONS, THINGS OR DATA DUE TO AN IMPROPER OR MISSING GROUND CONNECTION.

CONTACT THE AUTHORIZED SERVICE CENTER FOR ORDINARY AND EXTRAORDINARY MAINTENANCE.

IT IS ABSOLUTELY NECESSARY TO VERIFY THESE FUNDAMENTAL REQUIREMENTS OF SAFETY AND, IN CASE OF DOUBT, REQUIRE AN ACCURATE CHECK BY QUALIFIED PERSONNEL.

WEEE Directive

If the time arises to throw away your product, please recycle all possible component.



This symbol indicates that when the end-user wishes to discard this product, it must be sent to separate collection facilities for recovery and recycling. By separating this product from other household-type waste, the volume of waste sent to incinerators or land-fills will be reduced and natural resources will thus be conserved.

The Waste Electrical and Electronic Equipment Directive (WEEE Directive) aims to minimise the impact of electrical and electronic goods on the environment. Powersoft S.p.A. comply with the Directive 2012/19/EU of the European Parliament on waste electrical and electronic equipment (WEEE) in order to reduce the amount of WEEE that is being disposed of in land-fill site.

All of our products are marked with the WEEE symbol; this indicates that this product must NOT be disposed of with other waste. Instead it is the user's responsibility to dispose of their waste electrical and electronic equipment by handing it over to an approved reprocessor, or by returning it to Powersoft S.p.A. for reprocessing. For more information about where you can send your waste equipment for recycling, please contact Powersoft S.p.A. or one of your local distributors.

EC Declaration Of Conformity

Manufacturer:
Powersoft S.p.A.
via E. Conti 5
50018 Scandicci (Fi)
Italy



We declare that under our sole responsibility the products:

Model Names:
MEZZO 322 A
MEZZO 324 A
MEZZO 602 A
MEZZO 604 A
MEZZO 322 AD
MEZZO 324 AD
MEZZO 602 AD
MEZZO 604 AD

Intended use: Professional Audio Amplifier

Are in conformity with the provisions of the following EC Directives, including all amendments, and with national legislation implementing these directives:

2014/35/EU	Low Voltage Directive
2014/30/EU	Electromagnetic Compatibility Directive
2011/65/EU	RoHS Directive

The following harmonized standards are applied:

EN 55032: 2012
EN 55035: 2017
EN 60065: 2014 /AC: 2016

Scandicci,
September 2019

Luca Lastrucci
Managing Director

For compliance questions only: compliance@powersoft.it

Preliminary operations

Package list

The box contains the following:

- 1 Mezzo amplifier
- Block connectors
- 2 Bracket A
- 2 Bracket B
- 2 screws (for attaching the brackets)
- Mains power cable
- 1 L-shaped T8 key
- 1 plug retain bracket
- 1 wall mount template sheet

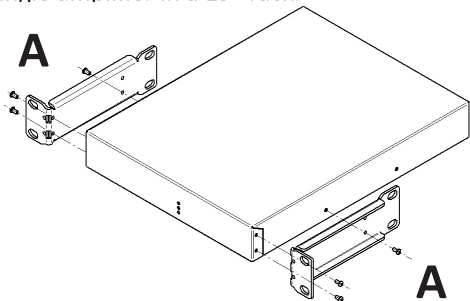
Location

Install your amplifier in a location that allows some exchange of air. Amplifier comes with mounting accessories for the following mounting options:

On a shelf – The rubber feet allow you to set your amplifier on any flat surface.

Custom mount – It's possible to custom design fittings for poles and other applications, using screws fitting the threaded holes in the amplifier. These screws must not be longer than 8 mm. The safest way to avoid mistakes is to use the provided screws.

Single 19" rack mount – Using the 2 "bracket A", it's possible to mount a single amplifier in a 19" rack.

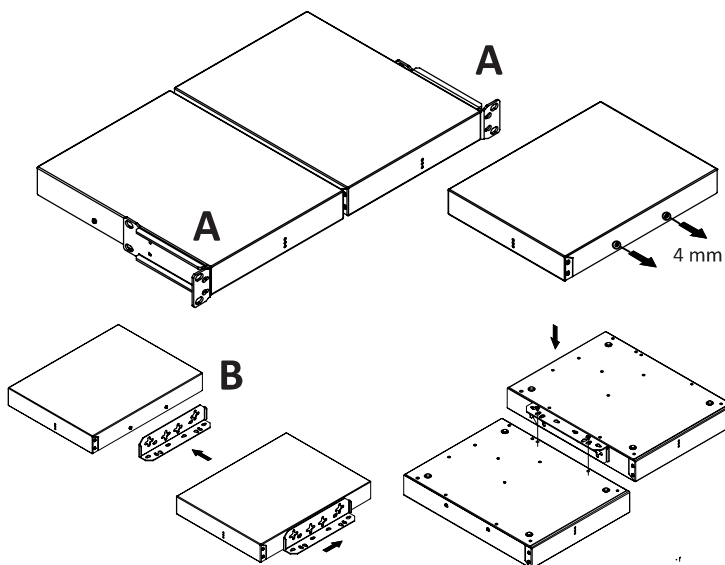


Tandem 19" rack mount – Using 1 "bracket B", it's possible to mount two Mezzo side to side and then mount them using the 2 "bracket A" in 1 RU in a 19" rack.

Unscrew the indicated screws on the first Mezzo without removing them completely, set "Bracket B" in place by slotting the screws into the keyholes, and tighten the screws avoiding overtightening.

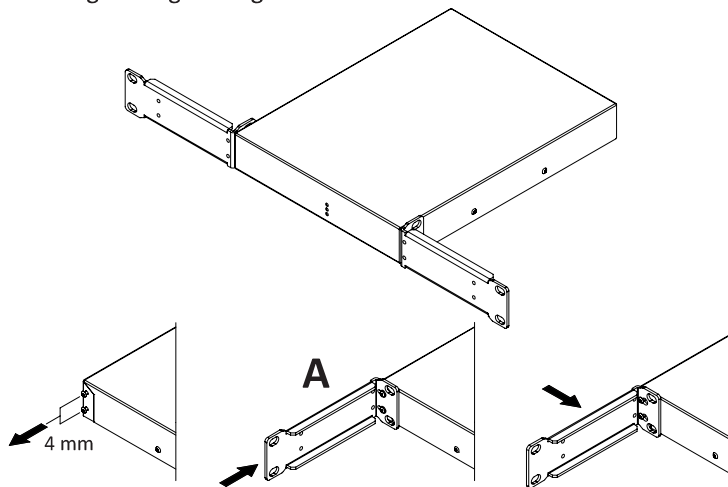
Flip both mezzo upside down, remove the pictured screws from the bottom of the second Mezzo, match the holes on "Bracket B" with the resulting screw-holes and screw back the original screws, avoiding overtightening.

Apply 2 "Bracket A" by removing the screws on each side, matching the resulting screw-holes with the holes on the bracket, and screwing back the original screws without overtightening them.

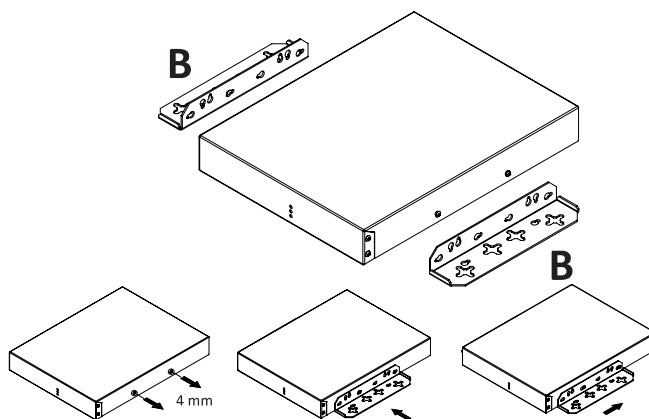


Single half rack mount – Using 2 "bracket A", it's possible to mount a single amplifier in a half width rack.

Unscrew the indicated screws (2 on each side) without removing them completely, set 2 "Bracket A" (one on each side) in place by slotting the screws into the keyholes, and tighten the screws avoiding overtightening.

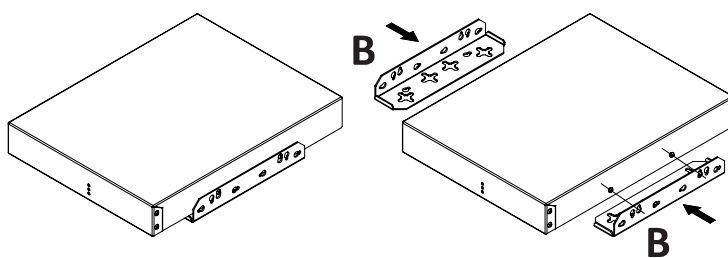


Surface mount – Using 2 "bracket B", it's possible to mount an amplifier vertically on a wall or upside down under a table or in a ceiling. In the latter case, just flip the brackets upside down.



Surface mount (hidden brackets) – Using 2 "bracket B", it's possible to mount an amplifier as illustrated in the previous case, while hiding the brackets underneath Mezzo.

Use the drilling template (included in the box) to mount at least 2 screws to the wall, attach the brackets to the amplifier, then just slide it onto the wall screws.



Cooling

The 600W models implement a temperature controlled forced-air cooling system. Air enters from the front and exists at the back of the amplifier. The fan has 3 modes:

STILL - if the temperature of the space surrounding the amplifier is $\leq 35^\circ$ and the average power out is ≤ 1 W per channel.

WHISPER - if the average output is ≤ 4 W per channel. The fan noise at 1 m is ≤ 30 dBA in this mode.

REGULATED - Mezzo adapts the speed of the fan to stay cool. The fan noise at 1 m is ≤ 45 dBA in this mode.

In the rare event of overheating, the amplifier will mute all channels

Set-up and Operation

Power State

This amplifier does not have a power switch. It will turn on automatically when AC power is connected and it will go to standby mode if no signal is present for 25 minutes.

When an input signal exceeding -60dB relative to the level needed for full power is applied, the amplifier will go back on within 2 seconds.

DSP and matrix configuration

The amplifier comprises a comprehensive range of functions that can be setup in two ways.

- Automatic - without the use of any app or software.
- Advanced - use the software to set more parameters and optimize the functionality.

Automatic configuration

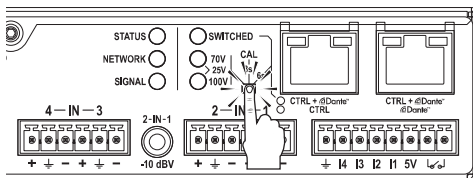
This is a very easy way to configure the amplifier that doesn't require any software. It is ideal if all you want is an amplifier with a flat frequency response that can be monitored and, if it is an AD model, get audio routed to it with third party software.

The automatic setup will set limiters so that a channel reaches the maximum capacity of the power supply, with a 4 dBu balanced analog input (or -6 dBFS for Dante/AES67). This means that it also adjusts the gain so that the amplifier has the gain needed for all channels. The way to "assign power" is then simply done by adjusting the level of the content to the different channels.

It will also set the high-pass filters automatically. The cutoff will be selected so that frequencies below the resonance frequency, as well as frequencies that saturate transformers in Hi-Z loudspeakers, will be attenuated.

Note! Automatic configuration is only possible, and repeatable, when no amplifier settings and parameters have been manually altered. In the case of manual changes, it will still be possible to trigger the auto configuration, but for verification and monitoring purposes only. The new measured values will not be saved until settings and parameters are set back to their initial values or a factory reset is done. In order to restore Mezzo's factory default mode, start by unplugging the mains cable. Press and hold the push button on the amplifier's rear panel and reconnect the mains cable while still pressing the button. Wait for the amplifier state LEDs to blink in red for three times and release.

Step 1 - Select the maximum voltage



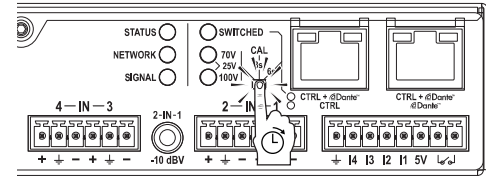
No channel will ever be assigned limiters that exceed the power of the power supply. The main reason for selecting the maximum voltage is to ensure that 25/70/100V loudspeakers will get the power selected on their tapping, if a channel is using less power than it can deliver.

If the application is 25V or 70V, then there is a risk that the limiters get set too high if the connected load isn't requiring full power. The maximum voltage can be selected with short presses on the push button on the amplifier's rear panel. The selected voltage will be displayed as follows:

70V LED	100V LED	Max Peak Voltage	Max RMS Voltage	Description
Unlit	Lit	141.4 V _{peak}	100 V _{rms}	Also works in mixed 100V and low impedance configurations
Lit	Unlit	100 V _{peak}	70.7 V _{rms}	Also works in mixed 70V and low impedance configurations
Lit	Lit	35.4 V _{peak}	25 V _{rms}	Also works in mixed 70V and low impedance configurations
Unlit	Unlit	Custom Settings		This can't be selected from the rear panel. The limiters have been set manually in the software and can't be changed without a factory reset

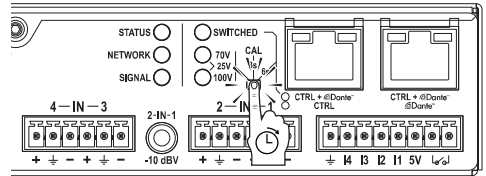
Please note that for low-impedance loads, it is not necessary to select

Step 2 – Calibrate



Press the push button until the 'Signal' LED turns purple, and then release it within 2 seconds. This will trigger an automatic impedance measurement for each channel. This will be made at a level that is high enough to properly measure an 8 ohm loudspeaker. If the impedance is higher, the measurement might be deemed to be too noisy and will then repeat itself automatically. Please note that it may generate an SPL exceeding 95 dB if the loudspeakers are sensitive enough. The impedance measurement will automatically set warning thresholds for monitoring changes. It will also set the limiters so that the channel can play as loud as the design and model allows, without distortion.

Step 3 - Select the Ethernet mode of operation (AD models)



Press the push button until the 'Network' LED turns purple, and then release it within 2 seconds. This will reset the amplifier to auto-IP and it will toggle the Ethernet mode and update the "Switched" indicator:

- Unlit: The internal Ethernet switch is disabled => the two ports are not connected and the right port is then internally assigned for Dante/AES67. The left port is only for control/monitoring the amplifier's DSP.
- Lit: This is the default "switched mode". The internal Ethernet switch is enabled => the two ports are connected and will both work for Dante/AES67 and control/monitoring of the amplifier's DSP. It means that only one Ethernet cable is necessary for control and digital audio. It also means that the product can be inserted in a daisy chain of other Gigabit Ethernet products as long as there is enough bandwidth.

Step 4 - Routing and control via GPI

I/O Routing - 4-Channel models

All 4-channel models allow straight 4-in/4-out analogue routing, where analogue inputs labelled 1 and 2 are a summation of balanced and unbalanced inputs. When using unbalanced inputs only, these will get a 12dB boost so that normal unbalanced sources will deliver enough level to drive the amplifier to full power. When using both balanced and unbalanced inputs simultaneously, the latter will get a further -30dB reduction, so that priority is given to balanced sources.

I/O Routing - 2-Channel models

All 2-channel models have mixed two unbalanced inputs (labelled 1 and 2) and two balanced inputs (labelled 3 and 4), meaning that balanced and unbalanced sources can be used.

I/O Routing - Dante/AES67 (AD models)

In AD models, additional four Dante/AES67 inputs and outputs are available. For these models, the source selection strategy is enabled by default, with Dante/AES67 inputs having a higher priority over the corresponding analogue inputs when audio signal is coming from both source types simultaneously. The source selection and priority settings can be configured from ArmoniaPlus or a third-party API.

VCA Operation via GPIs

In 4-channel models, the four GPI terminals located on the amplifier's rear panel can be connected to 10kOhm passive potentiometers to attenuate the output levels. Each GPI connector (I1, I2, I3, and I4) corresponds to one output channel (1, 2, 3, and 4 respectively).

In 2-channel models, the output levels of channels 1 and 2 can be

Importanti istruzioni sulla sicurezza

 IL TRIANGOLO CON IL SIMBOLO DEL FULMINE VIENE UTILIZZATO PER AVVISARE L'UTENTE SUL RISCHIO DI SCOSSE ELETTRICHE.

 IL TRIANGOLO CON IL PUNTO ESCLAMATIVO VIENE UTILIZZATO PER AVVISARE L'UTENTE SU IMPORTANTI ISTRUZIONI DI FUNZIONAMENTO O DI MANUTENZIONE.

 LA MARCATURA CE INDICA LA CONFORMITÀ DEL PRODOTTO A TUTTE LE DIRETTIVE EUROPEE IN VIGORE

 SIMBOLO PER IL COLLEGAMENTO DELLA MESSA A TERRA.

 SIMBOLO CHE INDICA CHE IL DISPOSITIVO PUO' ESSERE UTILIZZATO SOLO ALL'INTERNO.


 SIMBOLO INDICANTE LA CONFORMITÀ ALLA DIRETTIVA 2012/19/CE DEL PARLAMENTO EUROPEO SUI RIFIUTI DI APPARECCHIATURE ELETTRICHE ED ELETTRONICHE (RAEE).

 DA -10°C A +45°C DERATING OLTRE I 35°C.

 DAL 10% AL 90% DI UMIDITÀ (NON CONDENSANTE).

 NON UTILIZZARE IL DISPOSITIVO AD ALTITUDINI SUPERIORI A 2000 M.

 NON UTILIZZARE IL DISPOSITIVO IN UN AMBIENTE TROPICALE.

 ATTENZIONE: PER RIDURRE IL RISCHIO DI SCOSSE ELETTRICHE NON TENTARE DI APRIRE ALCUNA PARTE DEL DISPOSITIVO. ALL'INTERNO NON E' PRESENTE ALCUN COMPONENTE RIPARABILE DALL'UTENTE. PER L'ASSISTENZA RIVOLGERSI A PERSONALE TECNICO QUALIFICATO.


 IL COLLEGAMENTO ALLA RETE ELETTRICA DEVE ESSERE ESEGUITO DA UN ELETTRICISTA QUALIFICATO ATTENENDOSI AI REQUISITI DEL PAESE IN CUI IL DISPOSITIVO VIENE VENDUTO.

 NON UTILIZZARE L'AMPLIFICATORE SE IL CAVO DELL'ALIMENTAZIONE ELETTRICA E' SFILACCIATO O ROTTO.

 PER EVITARE SCOSSE ELETTRICHE, NON TOCCARE IL CABLAGGIO DELLE CASSE ESTERNE QUANDO L'AMPLIFICATORE E' IN FUNZIONE.


 NON VERSARE ACQUA NE' ALTRI LIQUIDI ALL'INTERNO O SOPRA L'AMPLIFICATORE.

 NON SI DEVONO POSIZIONARE FIAMME LIBERE QUALI CANDELE ACCESE SULL'AMPLIFICATORE.

 ATTENZIONE PER EVITARE LESIONI IL DISPOSITIVO DEVE ESSERE FISSATO IN MODO SICURO AL PAVIMENTO/ALLA PARETE ATTENENDOSI ALLE ISTRUZIONI DI INSTALLAZIONE.


 IL DISPOSITIVO DEVE ESSERE ALIMENTATO ESCLUSIVAMENTE DA PRESE ELETTRICHE CON COLLEGAMENTO A TERRA SU RETI ELETTRICHE CONFORMI ALLO IEC 364 O A NORME SIMILI


 SCOLLEGARE L'ALIMENTAZIONE PRIMA DI PULIRE QUALSIASI PARTE DELL'AMPLIFICATORE


 L'INTERRUTTORE DEVE SUPPORTARE 375 VA PER MEZZO; DI CONSEGUENZA, DEVONO ESSERE PREVISTI MAX. 3 MEZZO PER PRESA A 115V 10A, O MAX. 6 MEZZO PER PRESA A 230V 10A

 SI CONSIGLIA VIVAMENTE DI SCOLLEGARE I CONNETTORI DI OUTPUT PRIMA DI PROCEDERE CON LA PROCEDURA DI AUTOCONTROLLO

 I SEGNALI DEL TEST POTREBBERO PROVOCARE DANNI AGLI ALTOPARLANTI.

 I MORSETTI DI OUTPUT SONO PERICOLOSI: IL COLLEGAMENTO DEI CAVI A QUESTI MORSETTI DEVE ESSERE ESEGUITO DA UNA PERSONA QUALIFICATA UTILIZZANDO CAVI PREPARATI.

 COLLEGARE LA PRESA DELL'ALIMENTAZIONE ALL'ENTRATA DELL'AMPLIFICATORE IN MODO CORRETTO. PRIMA DI ALIMENTARE L'AMPLIFICATORE CONTROLLARE CHE SI STIA UTILIZZANDO LA TENSIONE NOMINALE CORRETTA.

 CONTROLLARE CHE LA CONNESSIONE DI RETE SIA IN GRADO DI SODDISFARE LA POTENZA NOMINALE DEL DISPOSITIVO.

 FARE ATTENZIONE A BLOCCARE IL MORSETTO DI OUTPUT PRIMA DI ACCENDERE IL DISPOSITIVO.



ATTENZIONE

**RISCHIO DI SCOSSE ELETTRICHE
NON APRIRE**



Il dispositivo è stato progettato e fabbricato per garantire la vostra sicurezza personale. TUTTAVIA UN UTILIZZO NON CORRETTO PUO' PROVOCARE RISCHI DI SCOSSE ELETTRICHE E DI INCENDI.

Per non compromettere le protezioni incorporate nel prodotto, rispettare le seguenti regole di base relative all'installazione, all'utilizzo e alla manutenzione. Si prega di leggere queste "Istruzioni sulla sicurezza" accuratamente prima dell'utilizzo.

- Leggere queste istruzioni.
- Conservare queste istruzioni.
- Prestare attenzione a tutti gli avvertimenti.
- Seguire tutte le istruzioni.
- Non utilizzare il dispositivo vicino all'acqua.
- Pulire esclusivamente con un panno asciutto.
- Non ostruire le aperture per la ventilazione. Installare il dispositivo attenendosi alle istruzioni del produttore.
- Non installare vicino a fonti di calore quali radiatori, termoregolatori, stufe o altri apparecchi che producono calore.
- Non manomettere la funzione di sicurezza presa polarizzata o con messa a terra. Una spina polarizzata è dotata di due lamelle, una è più grande dell'altra. Una spina con messa a terra è dotata di due lamelle e di una terza punta per la messa a terra. La lamella più grande o la terza punta sono installati per garantire la vostra sicurezza. Se la spina in dotazione non si adatta alla vostra presa, contattare un elettricista per sostituire la presa obsoleta.
- Proteggere il cavo di alimentazione per evitare che possa essere calpestato o schiacciato prestando particolare attenzione alle spine, alle prese di derivazione e al punto in cui fuoriescono dal dispositivo.
- Utilizzare esclusivamente gli attacchi/accessori specificati dal produttore.
- Utilizzare solo il carrello, il supporto, il cavalletto, la staffa o il tavolino specificati dal produttore, o venduti con il dispositivo. Se si utilizza un carrello, prestare attenzione quando si sposta la combinazione carrello/apparecchio per evitare danni alle persone causati dal ribaltamento.
- Scollegare il dispositivo durante i temporali o quando rimane inutilizzato per lunghi periodi del tempo.
- Per la manutenzione e l'assistenza rivolgersi a personale tecnico qualificato. Gli interventi di manutenzione e di riparazione sono necessari quando il dispositivo è stato danneggiato in qualsiasi modo, come ad esempio se il cavo di alimentazione o la spina sono stati danneggiati, se è stato versato del liquido o sono caduti oggetti sul dispositivo, se il dispositivo è stato esposto a pioggia o a umidità, se non funziona in modo normale o se caduto.
- Il dispositivo deve essere collegato a una presa di corrente con collegamento protetto da messa a terra
- Nel caso in cui presa elettrica o un idoneo accoppiatore viene utilizzato come dispositivo di scollegamento, il dispositivo di scollegamento deve rimanere sempre facilmente accessibile.



IL PRODUTTORE DECLINA OGNI RESPONSABILITÀ PER DANNI PROVOCATI A PERSONE, COSE O DATI A CAUSA DI UN COLLEGAMENTO NON CORRETTO O MANCANTE DELLA MESSA A TERRA.

CONTATTARE IL CENTRO DI ASSISTENZA AUTORIZZATO PER ESEGUIRE LA MANUTENZIONE ORDINARIA E STRAORDINARIA.

E' ASSOLUTAMENTE NECESSARIO CONTROLLARE QUESTI REQUISITI FONDAMENTALI SULLA SICUREZZA E, IN CASO DI DUBBI, RICHIEDERE UN CONTROLLO ACCURATO DA PERSONALE QUALIFICATO.

Direttiva RAEE

Quando sopraggiunge il momento di gettare il vostro prodotto, siete pregati di riciclare tutti i possibili componenti.



Questo simbolo indica che quando l'utente finale desidera gettare il prodotto, questo deve essere inviato alle strutture di raccolta differenziata per il recupero e il riciclo. Separando questo prodotto dagli altri rifiuti domestici si riduce la quantità di rifiuti spedita agli inceneritori o alle discariche preservando in questo modo le risorse naturali.

La direttiva sui rifiuti delle apparecchiature elettriche ed elettroniche (direttiva RAEE) intende minimizzare l'impatto delle apparecchiature elettriche ed elettroniche sull'ambiente. La Powersoft S.p.A rispetta la Direttiva 2012/19/UE del Parlamento europeo sui rifiuti di apparecchiature elettriche per finanziare il costo del trattamento e del recupero di apparecchiature elettroniche (RAEE), al fine di ridurre la quantità di RAEE che necessita di essere smaltita nelle discariche.

Tutti i nostri prodotti sono contrassegnati con il simbolo RAEE; questo indica che il prodotto non deve essere smaltito insieme ad altri tipi di rifiuti. E' invece responsabilità dell'utente quella di smaltire i propri rifiuti delle apparecchiature elettriche ed elettroniche consegnandoli a un trasformatore autorizzato, o ri-consegnandoli alla Powersoft S.p.A. per il riciclo. Per ulteriori informazioni sugli indirizzi ai quali è possibile spedire i rifiuti dell'apparecchiatura per il riciclo, si prega di contattare la Powersoft S.p.a o uno dei suoi distributori locali.

Dichiarazione di conformità CE

Il produttore:
Powersoft S.p.A.
via E. Conti 5
50018 Scandicci (Fi)
Italia



Dichiariamo sotto la nostra esclusiva responsabilità che i prodotti:

Nomi dei modelli:

MEZZO 322 A
MEZZO 324 A
MEZZO 602 A
MEZZO 604 A
MEZZO 322 AD
MEZZO 324 AD
MEZZO 602 AD
MEZZO 604 AD

Uso previsto: Amplificatori audio professionali

Sono conformi alle disposizioni del seguente direttive CE, comprese tutte le modifiche e alla legislazione nazionale di attuazione di tali direttive:

2014/35/UE	Direttiva sulla Bassa Tensione
2014/30/UE	Direttiva sulla Compatibilità Elettromagnetica
2011/65/UE	Direttiva RoHS

Sono state rispettate le seguenti norme armonizzate:

EN 55032: 2012
EN 55035: 2017
EN 60065: 2014 /AC: 2016

Scandicci,
settembre 2019

Luca Lastrucci
Direttore Generale

Per domande relative solo alla conformità: compliance@powersoft.it

Operazioni preliminari

Elenco dei contenuti

La scatola contiene:

- 1 amplificatore Mezzo
- Morsettiere
- 2 staffe A
- 2 staffe B
- 2 viti (per l'attacco delle staffe)
- Cavo di alimentazione rete elettrica
- 1 chiave T8 a forma di L
- 1 staffa di blocco della presa
- 1 scheda modello montata a parete

Posizione

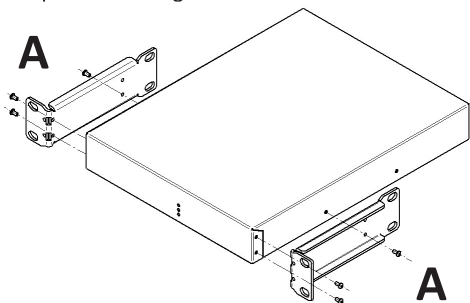
Installare l'amplificatore in una posizione che permetta un certo ricambio dell'aria.

L'amplificatore è dotato di accessori per le seguenti opzioni di montaggio:

Su un ripiano – I piedini in gomma permettono di posizionare l'amplificatore su qualsiasi superficie piatta.

Montaggio personalizzato – È possibile personalizzare elementi di fissaggio per i pali e altre applicazioni, utilizzando viti apposite per i fori filettati presenti sull'amplificatore. Queste viti non devono essere più lunghe di 8 mm. Il modo più sicuro per evitare errori è quello di utilizzare le viti fornite in dotazione.

Montaggio singolo su rack da 19" – Utilizzando le 2 "staffe a", è possibile montare un amplificatore singolo su una rack da 19".

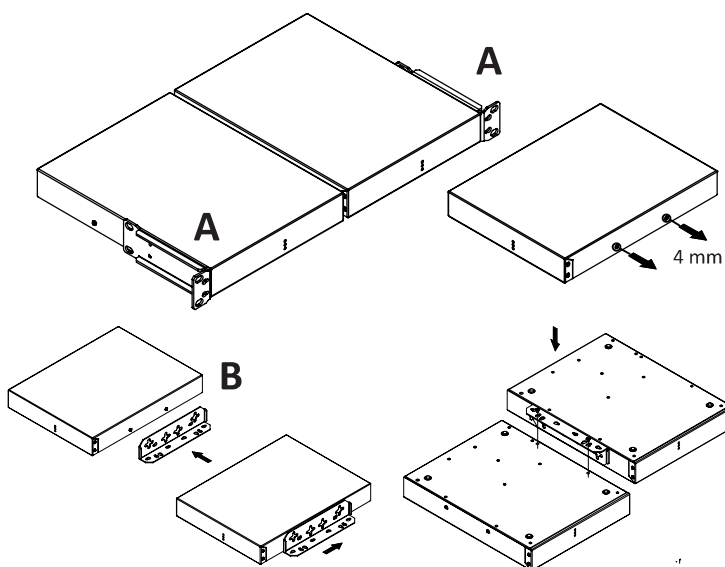


Montaggio in tandem su rack da 19" – Utilizzando 1 "staffa B", è possibile montare due Mezzo in modalità affiancata, per poi montarli utilizzando le 2 "staffe A" in 1 RU in una rack da 19".

Svitare le viti indicate sul primo Mezzo, senza rimuoverle completamente, mettere in posizione la "Staffa B", inserendo le viti nei rispettivi fori, quindi serrare le viti evitando di stringere in modo eccessivo.

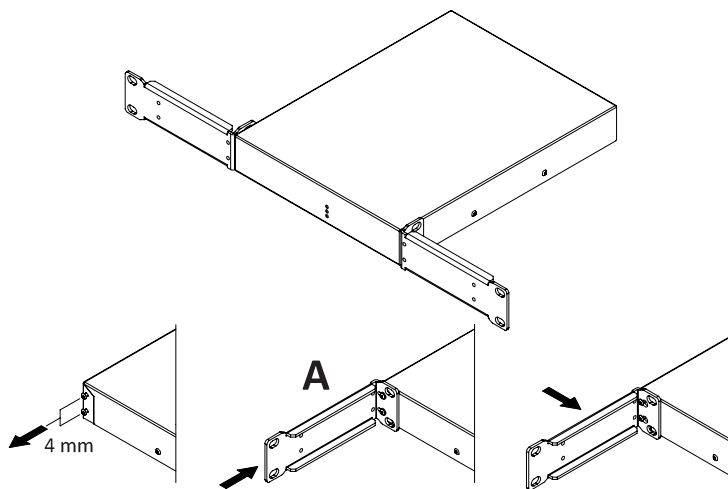
Capovolgere entrambi i Mezzo, rimuovere le viti raffigurate dalla parte inferiore del secondo Mezzo, abbinare i fori sulla "Staffa B" a quelli corrispondenti, quindi riavvitare le viti originali, evitando di stringere in modo eccessivo.

Applicare le 2 "Staffe A", rimuovendo le viti su ciascun lato, abbinando i fori risultanti con quelli sulla staffa, quindi riavvitare le viti originali, evitando di stringere in modo eccessivo.

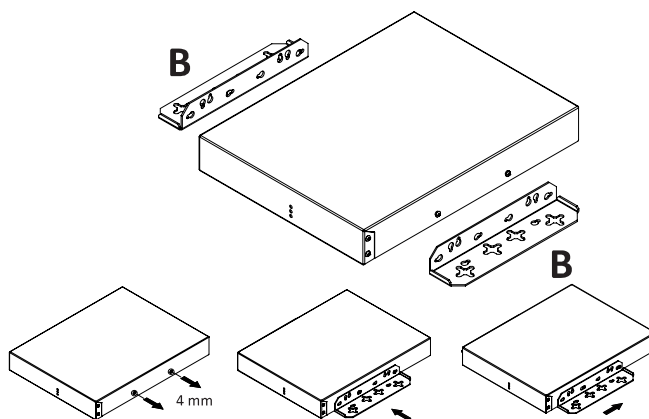


Montaggio singolo su mezza rack – Utilizzando 2 "staffe A", è possibile montare un amplificatore singolo su metà larghezza della rack.

Svitare le viti indicate (2 su ciascun lato), senza rimuoverle completamente, mettere in posizione 2 "staffe B" (una su ciascun lato), inserendo le viti nei rispettivi fori, quindi serrare le viti evitando di stringere in modo eccessivo.

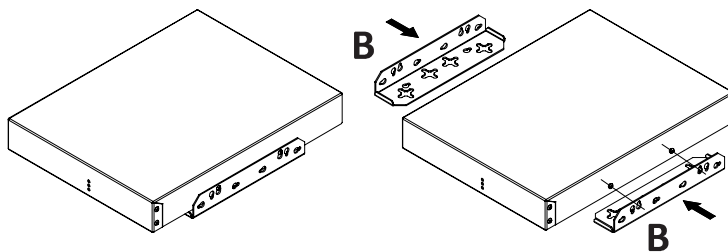


Montaggio su superficie – Utilizzando 2 "staffe B", è possibile montare un amplificatore in verticale su una parete oppure capovolto sotto un tavolo o sul soffitto. In quest'ultimo caso, è sufficiente capovolgere le staffe.



Montaggio su superficie (staffe nascoste) – Utilizzando 2 "staffe B", è possibile montare un amplificatore come illustrato nel caso precedente, mentre le staffe vengono nascoste sotto Mezzo.

Utilizzare la maschera di foratura (inclusa nella scatola) per montare almeno 2 viti a parete, attaccare le staffe all'amplificatore, quindi farle scorrere sulle viti a parete.



Raffreddamento

I modelli da 600W utilizzano un sistema di raffreddamento ad aria forzata controllato da temperatura. L'aria entra dal lato anteriore ed esce dal retro dell'amplificatore. La ventola lavora in 3 modalità:

STILL - se la temperatura dello spazio circostante l'amplificatore è $\leq 35^\circ$ e la potenza media in uscita è ≤ 1 W per canale.

WHISPER - se l'output medio è ≤ 4 W per canale. In questa modalità, il rumore della ventola a 1 m è ≤ 30 dBA.

REGULATED - Mezzo adatta la velocità della ventola per mantenere la macchina al fresco. In questa modalità, il rumore della ventola a 1 m è ≤ 45 dBA.

Nei rari casi di surriscaldamento, l'amplificatore metterà in muto tutti i canali e attiverà le ventole per raggiungere una temperatura sicura e avviare

Configurazione e funzionamento

Stato di alimentazione

Questo amplificatore non ha uno switch di alimentazione. Si accende automaticamente quando l'alimentazione CA viene collegata, e passa in modalità standby se non è presente alcun segnale per 25 minuti.

Quando viene applicato un segnale d'input superiore a -60dB relativi al livello necessario per la massima potenza, l'amplificatore si riattiva entro 2 secondi.

Configurazione matrice e DSP

L'amplificatore presenta un'ampia gamma di funzioni configurabili in due modi.

- Automatica: senza l'uso di app o software.
- Avanzata: uso del software per impostare un maggior numero di parametri e per ottimizzare la funzionalità.

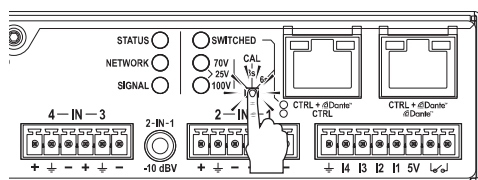
Configurazione automatica

Si tratta di una modalità molto facile di configurazione dell'amplificatore, che non richiede alcun software. È ideale se si desidera un amplificatore a risposta in frequenza piatta monitorabile; se si tratta di un modello AD, l'audio viene indirizzato verso di esso con un software prodotto da terze parti.

La configurazione automatica imporrà i limitatori in maniera tale che un canale raggiunga la capacità massima dell'alimentazione, con un input analogico bilanciato di 4 dBu (o -6 dBFS per Dante/AES67). Di conseguenza, anche il gain viene regolato così che tutti i canali dell'amplificatore lo abbiano secondo quanto necessario. La modalità di "assegnazione della potenza" viene svolta regolando semplicemente il livello del contenuto per i diversi canali.

Inoltre, imporrà automaticamente i filtri passa alto. La frequenza di taglio verrà selezionata in maniera tale da attenuare le frequenze sotto la frequenza di risonanza e le frequenze che saturano i trasformatori negli altoparlanti Hi-Z. *Nota! La configurazione automatica è unicamente possibile, e ripetibile, quando nessuna impostazione e parametro dell'amplificatore è stato modificato manualmente. In caso di modifiche manuali, è comunque possibile attivare la configurazione automatica, ma solo per finalità di verifica e monitoraggio. I nuovi valori misurati non verranno salvati fino a quando le impostazioni e i parametri non saranno ripristinati ai valori iniziali o fino a quando non avverrà il reset di fabbrica. Per ripristinare la modalità predefinita di fabbrica per Mezzo, iniziare scollegando il cavo di alimentazione elettrica. Premere e tenere premuto il pulsante sul pannello posteriore dell'amplificatore, quindi ricollegare il cavo di alimentazione mentre ancora si tiene premuto il pulsante. Attendere che i LED di stato dell'amplificatore inizino a lampeggiare per tre minuti, quindi rilasciare.*

Fase 1 - Selezione la tensione massima



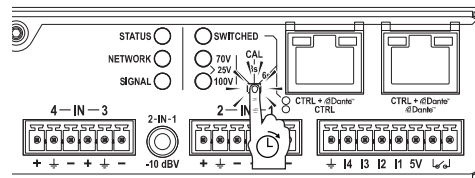
A nessun canale verranno mai assegnati limitatori che superino la potenza dell'alimentazione. La tensione massima deve essere selezionata per garantire che gli altoparlanti da 25/70/100V ricevano l'alimentazione selezionata sul tapping, laddove un canale utilizzi meno potenza di quella che è in grado di erogare.

Se l'applicazione è 25V o 70V, sussiste il rischio che i limitatori vengano impostati a livelli troppo alti, se il carico collegato non richiede la potenza massima. È possibile selezionare la tensione massima premendo per brevi istanti sul pulsante a pressione del pannello posteriore dell'amplificatore. La tensione selezionata verrà visualizzata come segue:

70V LED	100V LED	Picco max Tensione	RMS max Tensione	Descrizione
Non illuminato	Illuminato	141,4 V _{peak}	100 V _{rms}	Funziona anche in configurazioni miste da 100 V e bassa impedenza
Illuminato	Non illuminato	100 V _{peak}	70,7 V _{rms}	Funziona anche in configurazioni miste da 70V e bassa impedenza
Illuminato	Illuminato	35,4 V _{peak}	25 V _{rms}	Funziona anche in configurazioni miste da 70V e bassa impedenza
Non illuminato	Non illuminato	Impostazioni personalizzate		Non possono essere selezionate dal pannello posteriore. I limitatori sono stati impostati manualmente nel software e non possono essere modificati senza un reset di fabbrica

Attenzione: per i carichi a bassa impedenza, non è necessario selezionare

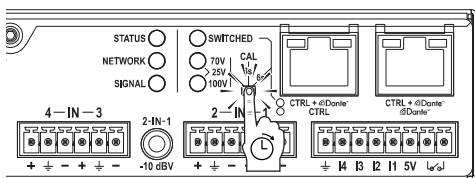
Fase 2 - Calibrazione



Premere il pulsante fino a quando il LED "Signal" non diventa viola; quindi rilasciare entro 2 secondi. Verrà attivata la misurazione automatica dell'impedenza per ciascun canale. Questo avverrà a un livello sufficientemente elevato per poter misurare correttamente un altoparlante da 8 ohm. Se l'impedenza è superiore, la misurazione potrebbe essere considerata troppo rumorosa e quindi si ripeterà automaticamente. Attenzione: se gli altoparlanti sono sufficientemente sensibili, può generare un SPL superiore a 95 dB.

La misurazione dell'impedenza imporrà automaticamente le soglie di avvertimento per monitorare le variazioni. Inoltre, imporrà i limitatori in maniera tale che il canale possa effettuare la riproduzione al livello consentito dal design e dal modello, senza distorsione.

Fase 3 - Selezione della modalità di funzionamento Ethernet (modelli AD)



Premere il pulsante fino a quando il LED "Network" non diventa viola; quindi rilasciare entro 2 secondi. Reimposterà l'amplificatore su Auto-IP e selezionerà la modalità Ethernet, andando ad aggiornare l'indicatore "Switched":

- Non illuminato: Lo switch Ethernet interno è disabilitato => le due porte non sono collegate e la porta destra viene quindi assegnata automaticamente per Dante/AES67. La porta sinistra serve solo per il controllo/monitoraggio del DSP dell'amplificatore.
- Illuminato: Questa è la modalità "Switched" predefinita. Lo switch Ethernet interno è abilitato => le due porte sono collegate e funzioneranno entrambe per Dante/AES67 e per il controllo/monitoraggio del DSP dell'amplificatore. Questo significa che è necessario solo un cavo Ethernet per il controllo e per l'audio digitale. Significa anche che il prodotto può essere inserito in una daisy-chain di altri prodotti Ethernet Gigabit, a condizione che vi sia una larghezza di banda sufficiente.

Fase 4 - Routing e controllo via GPI

Routing I/O - modelli a 4 canali

Tutti i modelli a 4 canali permettono il routing analogico 4-in/4-out, dove gli input analogici etichettati con 1 e 2 sono una sommatoria degli input bilanciati e non bilanciati. Quando vengono utilizzati solo input non bilanciati, questi ricevono un boost da 12 dB; di conseguenza, le normali fonti non bilanciate erogano un livello sufficiente per portare l'amplificatore alla potenza totale. Quando vengono utilizzati in contemporanea l'input bilanciato e non bilanciato, quest'ultimo otterrà un'ulteriore riduzione di -30dB, così da dare priorità alle fonti bilanciate.

Routing I/O - modelli a 2 canali

Tutti i modelli a 2 canali hanno due input non bilanciati (etichettati 1 e 2) e 2 input bilanciati (etichettati 3 e 4); questo significa che è possibile utilizzare fonti bilanciate e non bilanciate.

Routing I/O - Dante/AES67 (modelli AD)

Nei modelli AD, sono disponibili altri 4 input e output Dante/AES67. Per questi modelli, la strategia di selezione della fonte è abilitata per impostazione predefinita; gli input Dante/AES67 hanno priorità più alta rispetto agli input analogici corrispondenti, quando il segnale audio proviene contemporaneamente da entrambi i tipi di fonti. La selezione della fonte e le impostazioni di priorità possono essere configurate da ArmoniaPlus o da API di terze parti.

Funzionamento di VCA tramite GPI

In modalità a 4 canali, i quattro terminali GPI posizionati sul pannello posteriore dell'amplificatore possono essere collegati ai potenziometri passivi da 10kOhm per attenuare i livelli degli output. Ogni connettore GPI (I1, I2, I3, I4) corrisponde a un canale di output (rispettivamente 1, 2, 3, 4).


Nei modelli a 2 canali, i livelli di output dei canali 1 e 2 possono essere attenuati rispettivamente tramite i connettori GPI I1 e I2.

Wichtige Sicherheitshinweise

 DAS DREIECK MIT DEM BLITZ WIRD VERWENDET, UM DEN BENUTZER AUF DIE GEFAHR EINES ELEKTRISCHEN SCHLAGES HINZUWEISEN.

 DAS DREIECK MIT DEM AUSRUFZEICHEN WIRD VERWENDET, UM DEN BENUTZER AUF WICHTIGE BETRIEBS- ODER WARTUNGSANWEISUNGEN HINZUWEISEN.

 DAS CE-KENNZEICHEN ZEIGT DIE KONFORMITÄT DES PRODUKTS MIT ALLEN GELTENDEN EUROPÄISCHEN RICHTLINIEN AN.

 SYMBOL FÜR ERD-/MASSEANSCHLUSS.

 SYMBOL, DAS ANZEIGT, DASS DAS GERÄT NUR FÜR DEN INNENBEREICH BESTIMMT IST.

 SYMBOL FÜR DIE KONFORMITÄT MIT DER RICHTLINIE 2012/19/EG DES EUROPÄISCHEN PARLAMENTS ÜBER ELEKTRO- UND ELEKTRONIK-ALTGERÄTE (WEEE).


 -10°C BIS +45°C LASTMINDERUNG ÜBER 35°C.


 10% BIS 90% LUFTFEUCHTIGKEIT (OHNE KONDENSIERUNG).

 VERWENDEN SIE DAS GERÄT NICHT IN HÖHEN ÜBER 2000 M.


 VERWENDEN SIE DAS GERÄT NICHT IN TROPISCHER UMGEBUNG.

 WARNUNG: UM DIE GEFAHR EINES ELEKTRISCHEN SCHLAGES ZU VERRINGERN, VERSUCHEN SIE NICHT, EINEN TEIL DES GERÄTES ZU ÖFFNEN. KEINE VOM BENUTZER ZU WARTENDEN TEILE IM INNEREN. ÜBERLASSEN SIE DIE WARTUNG QUALIFIZIERTEM SERVICEPERSONAL.

 DER ANSCHLUSS AN DAS STROMNETZ DARF NUR VON EINEM ELEKTROTECHNISCHEN FACHMANN GEMÄß DEN NATIONALEN VORSCHRIFTEN DER LÄNDER, IN DENEN DAS GERÄT VERKAUFT WIRD, VORGENOMMEN WERDEN.

 VERWENDEN SIE DIESEN VERSTÄRKER NICHT, WENN DAS NETZKABEL AUSGEFRANST ODER BESCHÄDIGT IST.

 UM EINEN ELEKTRISCHEN SCHLAG ZU VERMEIDEN, BERÜHREN SIE WÄHREND DES BETRIEBS DES VERSTÄRKERS KEINE FREILIEGENDEN LAUTSPRECHERKABEL.


 VERSCHÜTTEN SIE KEIN WASSER ODER ANDERE FLÜSSIGKEITEN IN ODER AUF DEN VERSTÄRKER.

 KEINE OFFENEN FLAMMENQUELLEN WIE Z.B. BRENNENDE KERZEN AUF DEM VERSTÄRKER PLATZIERT WERDEN.

 UM VERLETZUNGEN ZU VERMEIDEN, MUSS DIESES GERÄT GEMÄß DER INSTALLATIONSANLEITUNG SICHER AM BODEN/WAND BEFESTIGT WERDEN.

 DIESES GERÄT DARF AUSSCHLIEßLICH VON GEERDETEN STECKDOSEN IN ELEKTRISCHEN NETZEN NACH IEC 364 ODER ÄHNLICHEN REGELN GESPEIST WERDEN.

 TRENNEN SIE DIE WECHSELSTROMQUELLE, BEVOR SIE VERSUCHEN, EINEN TEIL DES VERSTÄRKERS ZU REINIGEN

 DER SCHALTER MUSS 375 VA PRO MEZZO UNTERSTÜTZEN, DAS HEISST, MAX. 3 MEZZO PRO AUSGANG BEI 115V 10A ODER MAX. 6 MEZZO PRO AUSGANG MIT 230V 10A

 ES WIRD DRINGEND EMPFOHLEN, DIE AUSGANGSSTECKER ABZUZIEHEN, BEVOR SIE MIT DER SELBSTÜBERPRÜFUNG FORTFAHREN

 DIE TESTSIGNALLE KÖNNEN ZU BEEINTRÄCHTIGUNGEN DES LAUTSPRECHERS FÜHREN.

 AUSGANGSKLEMMEN SIND GEFÄHRLICH: DER ANSCHLUSS AN DIESE KLEMMEN ERFORDERT DIE INSTALLATION DURCH EINE EINGEWIESENE PERSON UND DIE VERWENDUNG VON VORKONFEKTIONIERTE LEITUNGEN.

 SCHLIEßEN SIE DEN NETZSTECKER KORREKT AN DEN VERSTÄRKEREINGANG AN. BEVOR SIE DIESEN VERSTÄRKER MIT STROM VERSORGEN, VERGEWISSERN SIE SICH, DASS DIE RICHTIGE SPANNUNG VERWENDET WIRD.

 STELLEN SIE SICHER, DASS IHR NETZANSCHLUSS DIE LEISTUNGSDATEN DES GERÄTS ERFÜLLT.

 ACHTEN SIE DARAUF, DIE AUSGANGSKLEMME ZU VERRIEGELN, BEVOR SIE DAS GERÄT EINSCHALTEN.



VORSICHT
STROMSCHLAGEGEFAHR
NICHT ÖFFNEN



Dieses Gerät wurde entwickelt und hergestellt, um Ihre persönliche Sicherheit zu gewährleisten. Aber VERBESSERUNG DER VERWENDUNG KANN IN POTENTIALEM ELEKTROSHOCK ODER FEUERGEFAHR resultieren.

Um die eingebundenen Sicherheitsmaßnahmen effektiv zu lassen, beachten Sie die folgenden Grundregeln für die Installation, Verwendung und Wartung. Bitte lesen Sie diese "Wichtige Sicherheitsmaßnahmen" vor Gebrauch sorgfältig durch.

- Lesen Sie diese Anleitung.
- Bewahren Sie diese Anleitung auf.
- Beachten Sie alle Warnungen.
- Folgen Sie allen Anweisungen.
- Verwenden Sie dieses Gerät nicht in der Nähe von Wasser.
- Nur mit einem trockenen Tuch reinigen.
- Blockieren Sie keine Lüftungsöffnungen. Installieren Sie das Gerät gemäß den Anweisungen des Herstellers.
- Installieren Sie das Gerät nicht in der Nähe von Wärmequellen wie Heizkörpern, Heizregistern, Öfen oder anderen Geräten, die Wärme erzeugen.
- Den Sicherheitszweck des polarisierten oder geerdeten Steckers nicht umgehen. Ein polarisierter Stecker hat zwei Klingen mit einem breiteren als dem anderen. Ein geerdeter Stecker hat zwei Klingen und einen dritten Erdungszapfen. Die breite Klinge oder der dritte Zinken dienen Ihrer Sicherheit. Wenn der mitgelieferte Stecker nicht in Ihre Steckdose passt, wenden Sie sich an einen Elektriker, um die veraltete Steckdose auszutauschen.
- Schützen Sie das Netzkabel vor dem Betreten oder Einklemmen, insbesondere an Steckern, Steckdosen und der Stelle, an der es aus dem Gerät austritt.
- Verwenden Sie nur die vom Hersteller angegebenen Anbaugeräte/Zubehörteile.
- Nur mit dem vom Hersteller angegebenen oder mit dem Gerät verkauften Wagen, Ständer, Stativ, Halter oder Tisch verwenden. Wenn ein Wagen verwendet wird, ist Vorsicht geboten, wenn die Kombination aus Wagen und Gerät bewegt wird, um Verletzungen durch Umkippen zu vermeiden.
- Ziehen Sie den Netzstecker bei Gewittern oder bei längerer Nichtbenutzung.
- Überlassen Sie alle Wartungsarbeiten qualifiziertem Servicepersonal. Eine Wartung ist erforderlich, wenn das Gerät in irgendeiner Weise beschädigt wurde, z. B. wenn das Netzkabel oder der Netzstecker beschädigt ist, Flüssigkeit verschüttet wurde oder Gegenstände in das Gerät gefallen sind, das Gerät Regen oder Feuchtigkeit ausgesetzt war, nicht normal funktioniert oder heruntergefallen ist.
- Das Gerät ist an eine Netzsteckdose mit Schutzleiteranschluss anzuschließen
- Wird der HAUPT-Netzstecker oder eine geeignete Kupplung als Trennvorrichtung verwendet, muss die Trennvorrichtung leicht bedienbar bleiben.



DER HERSTELLER HAFTET NICHT FÜR SCHÄDEN AN PERSONEN, SACHEN ODER DATEN, DIE DURCH EINE UNSACHGEMÄßE ODER FEHLLENDE ERDUNG ENTSTEHEN.

WENDEN SIE SICH AN DAS AUTORISIERTE SERVICEZENTRUM FÜR NORMALE UND AUßERORDENTLICHE WARTUNGSARBEITEN.

IST ES UNBEDINGT ERFORDERLICH, DIESE GRUNDLEGENDEN SICHERHEITSANFORDERUNGEN ZU ÜBERPRÜFEN UND IM ZWEIFELSFALL EINE GENAUE ÜBERPRÜFUNG DURCH QUALIFIZIERTES PERSONAL ZU VERLANGEN.

WEEE-Richtlinie

Wenn die Zeit kommt, Ihr Produkt wegzuerwerfen, wiederverwenden Sie bitte alle möglichen Komponenten.



Dieses Symbol weist darauf hin, dass das Produkt, wenn es vom Endverbraucher entsorgt werden soll, zur Verwertung und zum Wiederverwendung an getrennte Sammelstellen geschickt werden muss. Durch die Trennung dieses Produktes von anderen hausmüllähnlichen Abfällen wird die Abfallmenge in Verbrennungsanlagen oder Deponien reduziert und damit die natürlichen Ressourcen geschont.

Die Richtlinie über Elektro- und Elektronik-Altgeräte (WEEE-Richtlinie) zielt darauf ab, die Auswirkungen von Elektro- und Elektronikgeräten auf die Umwelt zu minimieren. Powersoft S.p.A. erfüllt die Richtlinie 2012/19/EU des Europäischen Parlaments über die Finanzierung der Kosten für die Behandlung und Verwertung von Elektro- und Elektronikgeräten (WEEE), um die Menge an Elektro- und Elektronik-Altgeräten, die auf Deponien entsorgt werden, zu reduzieren.

Alle unsere Produkte sind mit dem WEEE-Symbol gekennzeichnet; dies bedeutet, dass dieses Produkt NICHT mit anderen Abfällen entsorgt werden darf. Stattdessen liegt es in der Verantwortung des Benutzers, seine Elektro- und Elektronik-Altgeräte durch Übergabe an einen zugelassenen Aufbereiter oder durch Rückgabe an Powersoft S.p.A. zu entsorgen. Für weitere Informationen darüber, wohin Sie Ihre Altgeräte zum Recycling schicken können, wenden Sie sich bitte an Powersoft S.p.A. oder einen Ihrer lokalen Händler.

EG-Konformitätserklärung

Hersteller:
Powersoft S.p.A.
via E. Conti 5
50018 Scandicci (Fi)
Italien



Wir erklären, dass unter unserer alleinigen Verantwortung die Produkte:

Modellnamen:
MEZZO 322 A
MEZZO 324 A
MEZZO 602 A
MEZZO 604 A
MEZZO 322 AD
MEZZO 324 AD
MEZZO 602 AD
MEZZO 604 AD

Verwendungszweck: Professioneller Audio-Verstärker

Mit den Bestimmungen der folgenden EG-Richtlinien, einschließlich aller Änderungen, und mit den nationalen Rechtsvorschriften zur Umsetzung dieser Richtlinien übereinstimmen:

2014/35/EG Niederspannungsrichtlinie
2014/30/EU Richtlinie Elektromagnetische Verträglichkeit
2011/65/EU RoHS-Richtlinie

Die folgenden harmonisierten Normen werden angewendet:

EN 55032: 2012
EN 55035: 2017
EN 60065: 2014 /AC: 2016

Scandicci,
September 2019

Luca Lastrucci
Geschäftsführer

Nur für Konformitäts-Fragen: compliance@powersoft.it

Vorbereitende Arbeiten

Paketliste

Das Paket enthält:

- 1 Verstärker Mezzo
- 1 Anschlussleiste
- 2 Halterungen A
- 2 Halterungen B
- 2 Schrauben (zum Anbringen der Halterungen)
- Netz Kabel
- 1 L-förmiger T8-Schlüssel
- 1 Steckerhalterung
- 1 Vorlage für die Wandmontage

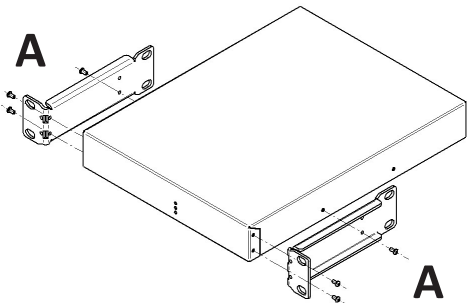
Standort

Installieren Sie Ihren Verstärker an einem Ort, an dem Luftwechsel möglich ist. Der Verstärker wird mit dem für die folgenden Einbauoptionen notwendigen Montagezubehör geliefert:

Auf ein Regal – Die GummifüÙe erlauben, den Verstärker auf jede glatte Fläche zu stellen.

Kundenspezifische Befestigung – Es können kundenspezifisch gestaltete Befestigungselemente für Stangen und andere Anwendungen geliefert werden, die mit Schrauben, die in die Gewindebohrungen des Verstärkers passen angeschraubt werden. Diese Schrauben dürfen nicht länger als 8 mm sein. Am sichersten ist es, die mitgelieferten Schrauben zu verwenden.

Einbau in ein 19" Rack – Mit den 2 "A-Halterungen" kann man einen Verstärker in ein 19" Rack einbauen.

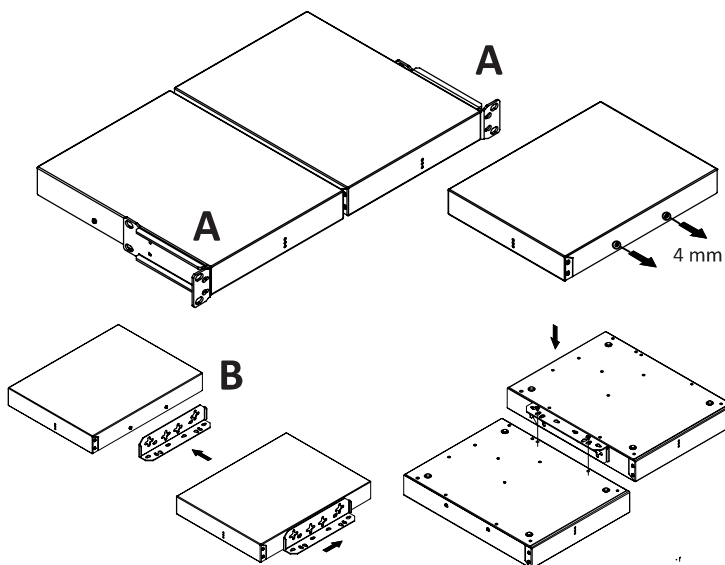


Einbau im Tandem in ein 19" Rack – Mit 1 "B-Halterung", kann man zwei Mezzo nebeneinander befestigen und sie dann mit den 2 "A-Halterungen" auf 1 RU in einem 19" Rack einbauen.

Lösen Sie die im Bild gezeigten Schrauben auf dem ersten Mezzo, ohne sie zu entfernen, setzen Sie die "B-Halterung" in ihre Position, stecken Sie die Schrauben in die Schlüsselöcher und ziehen Sie sie fest, ohne sie zu überdrehen.

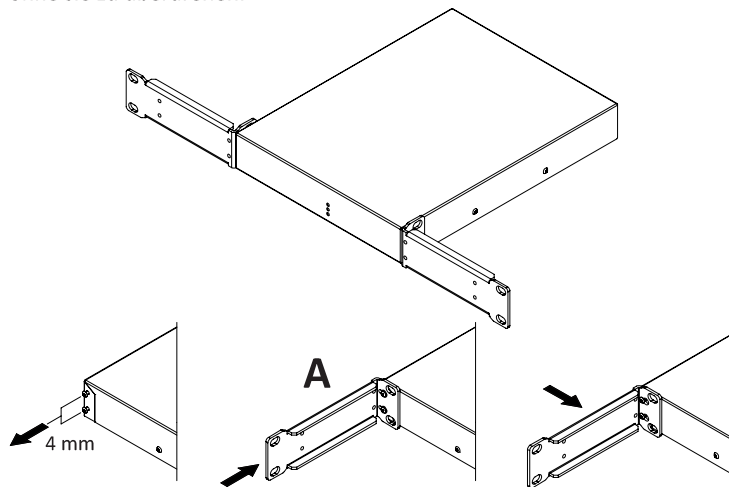
Stellen sie beide Mezzo auf den Kopf, entfernen Sie die auf dem Bild gezeigten Schrauben vom Boden des zweiten Mezzos, setzen Sie die "B-Halterung" mit den Löchern genau über die Senklöcher und schrauben Sie die Originalschrauben wieder ein, ohne sie zu überdrehen.

Entfernen Sie die Schrauben auf beiden Seiten und setzen Sie die 2 "A-Halterungen" mit den Löchern genau über die entstandenen Senklöcher und schrauben Sie die Originalschrauben ein, ohne sie zu überdrehen.

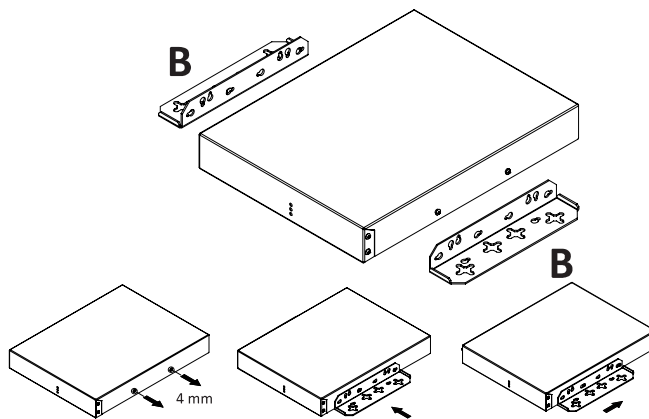


Einbau in ein Halbrack – Mit 2 "A-Halterungen", kann man einen Verstärker in ein Rack mit halber Breiter einbauen.

Lösen Sie die im Bild gezeigten Schrauben (2 auf jeder Seite), ohne sie zu entfernen, setzen Sie die 2 "A-Halterungen" (eine auf jeder Seite) auf, stecken Sie die Schrauben in die Schlüsselöcher und ziehen Sie sie fest, ohne sie zu überdrehen.

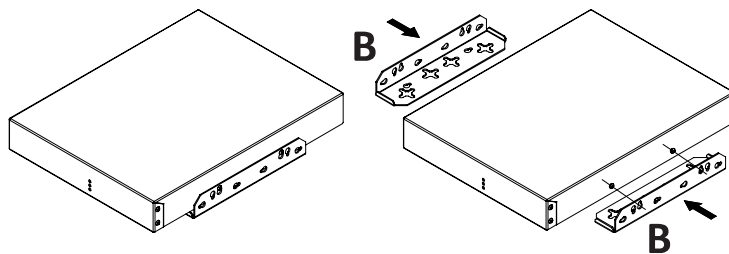


Wand-, Decken-, Tischbefestigung – Mit 2 "B-Halterungen" kann man einen Verstärker senkrecht an eine Wand oder über Kopf unter einen Tisch oder an der Decke befestigen. Im letzteren Fall müssen die Halterungen einfach heruntergeklappt werden.



Wand-, Decken-, Tischbefestigung (versteckte Halterungen) – Mit 2 "B-Halterungen" kann man einen Verstärker wie im Bild vorher befestigen, aber die Halterungen unter dem Mezzo verstecken.

Verwenden Sie die Bohrschablone (in der Box), um mindestens 2 Schrauben in die Wand zu schrauben, bringen Sie die Halterungen an den Verstärker an und schieben Sie ihn einfach auf die Wandschrauben.



Kühlung

Die 600W-Modelle haben ein temperaturgesteuertes System mit erzwungener Luftkühlung. Die Luft strömt von vorne nach hinten in den Verstärker. Der Ventilator hat 3 Betriebsmodalitäten:

STILL - wenn die Temperatur um den Verstärker bei $\leq 35^\circ$ liegt und die durchschnittliche Ausgangsleistung ≤ 1 W pro Kanal ist.

WHISPER - Wenn der durchschnittliche Output ≤ 4 W pro Kanal ist. In diesem Modus erzeugt der Ventilator in 1 m Entfernung einen Lärm von ≤ 30 dBA.

REGULATED - Mezzo reguliert die Ventilatorgeschwindigkeit, um kühl zu bleiben. In diesem Modus erzeugt der Ventilator in 1 m Entfernung einen Lärm von ≤ 45 dBA.

Wenn der Verstärker überhitzt, was selten vorkommt, werden alle Kanäle stummgeschaltet und die Ventilatoren laufen, bis eine sichere Temperatur erreicht

Einrichtung und Betrieb

Energiezustand

Der Verstärker hat keinen Netzschalter. Er schaltet sich automatisch ein, sobald er an ein Wechselstromnetz angeschlossen ist, und geht in den Standby-Modus, wenn er für 25 Minuten kein Signal empfängt.

Wenn ein Eingangssignal -60dB unter dem Pegel der für eine volle Leistung gebraucht wird, übersteigt, schaltet sich der Verstärker innerhalb von 2 Sekunden wieder ein.

DSP und Matrixkonfigurierung

Der Verstärker verfügt über umfassende Funktionen, die auf zwei Arten eingestellt werden können.

- Automatisch - Ohne eine App oder Software.
- Erweitert - Verwenden Sie die Software, um mehr Parameter einzustellen und die Funktionen zu optimieren.

Automatikkonfigurierung

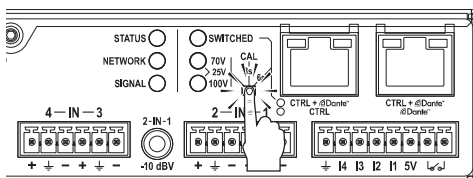
Dies ist eine sehr einfache Art, den Verstärker zu konfigurieren, bei der Sie keine Software brauchen. Sie ist ideal, wenn Sie einfach nur einen Verstärker mit einem breiten Frequenzbereich haben wollen, der überwacht werden kann, und, wenn es sich um ein AD-Modell handelt, ein Audiorouting ausführen möchten.

Beim automatischen Setup werden Begrenzer eingestellt, sodass ein Kanal die maximale Kapazität der Stromversorgung mit einem symmetrischen 4 dBu - Analogeingang (oder -6 dBFS für Dante/AES67) erreicht. Das bedeutet, dass es auch den Gain reguliert, sodass der Verstärker den für alle Kanäle benötigten Gain hat. Die "Leistung" kann ganz einfach verteilt werden, indem man die Höhe des Anteils zu den verschiedenen Kanäle reguliert.

Die Hochpassfilter werden auch automatisch eingestellt. Die Grenzfrequenz wird ausgewählt, sodass die Frequenzen unter der Resonanzfrequenz und die Frequenzen, welche die Umwandler in HI-Z-Lautsprechern sättigen, gedämpft werden.

Hinweis! Die automatische Konfigurierung ist nur möglich, und wiederholbar, wenn keine Einstellungen und Parameter des Verstärkers manuell verändert worden sind. Bei manuellen Änderungen ist es weiterhin möglich die automatische Konfigurierung einzuschalten, aber nur für die Prüfung und die Überwachung. Der neu gemessene Wert wird erst gespeichert, wenn die Einstellungen und Parameter auf ihren Anfangswert zurückgestellt worden sind, oder die Werkeinstellungen wieder hergestellt worden sind. Um den Werk-Defaultmodus des Mezzos wiederherzustellen, müssen Sie die Netzkabel herausziehen. Drücken Sie die Taste auf der Rückwand des Verstärkers und halten Sie sie gedrückt. Stecken Sie jetzt wieder die Netzkabel ein. Warten Sie bis die Statusled des Verstärkers drei Mal rot aufgeleuchtet hat und lassen Sie die Taste los.

Step 1 - Wählen sie die maximale Spannung aus



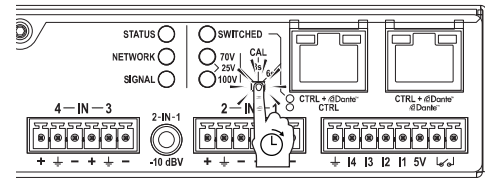
Den Kanälen werden nie Begrenzer zugewiesen, welche die Leistung der Stromversorgung übersteigen. Der Hauptgrund für die Auswahl der maximalen Spannung ist die Sicherheit, dass 25/70/100V Lautsprecher die ausgewählte Leistung auf ihr Tapping bekommen, wenn ein Kanal weniger Leistung benutzt, als er liefern kann.

Wenn es sich um eine 25V oder 70V Anwendung handelt, besteht das Risiko, dass die Begrenzer zu hoch eingestellt werden, wenn die angeschlossene Last die volle Leistung fordert. Die maximale Spannung kann durch kurzes Antippen der Taste an der Rückwand des Verstärkers ausgewählt werden. Die ausgewählte Spannung wird so angezeigt:

70V LED	100V LED	Max. Scheitelspannung	Max. Effektivwert	Beschreibung
LED aus	LED ein	141.4 V _{peak}	100 V _{rms}	Arbeitet auch in gemischten 100V - und niederohmigen Konfigurationen
LED ein	LED aus	100 V _{peak}	70.7 V _{rms}	Arbeitet auch in gemischten 70V - und niederohmigen Konfigurationen
LED ein	LED ein	35.4 V _{peak}	25 V _{rms}	Arbeitet auch in gemischten 70V - und niederohmigen Konfigurationen
LED aus	LED aus	Kundenspezifische Einstellungen		Das kann nicht an der Rückwand des Verstärkers ausgewählt werden. Die Begrenzer wurden manuell in der Software eingestellt und können ohne eine Wiederherstellung der Werkeinstellung nicht geändert werden.

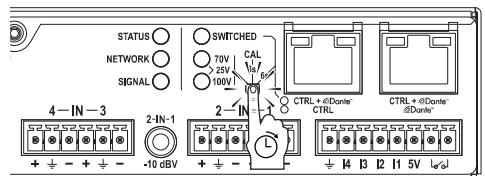
Bitte denken Sie daran, das bei nie, keine maximale Spannung ausgewählt

Schritt 2 - Kalibrieren



Drücken Sie die Taste, bis die "Signal"-LED violett wird und lassen Sie die Taste dann innerhalb von 2 Sekunden los. Dadurch wird eine automatische Impedanzmessung für jeden Kanal eingeschaltet. Das passiert auf einer Stufe, die hoch genug ist, um einen 8 ohm-Lautsprecher richtig zu messen. Wenn die Impedanz höher ist, könnte die Messung zu verrauscht sein und wird automatisch wiederholt. Bitte denken Sie daran, dass das eine SPL über 95 dB erzeugen kann, wenn die Lautsprecher empfindlich genug sind. Die Impedanzmessung wird automatisch Warnschwellen für Überwachungsänderungen festsetzen. Sie wird auch die Begrenzer einstellen, damit der Kanal so laut spielen kann, wie das Design und das Modell erlauben, ohne dass der Klang verzerrt wird.

Step 3 - Wählen Sie den Ethernet-Betriebsmodus aus (AD-Modell)



Drücken Sie die Taste, bis die "Network"-LED violett wird und lassen Sie die Taste dann innerhalb von 2 Sekunden los. Dadurch wird der Verstärker auf Auto-IP zurückgesetzt und es werden der Ethernetmodus geschaltet und die "Switched"-Anzeige aktualisiert:

- LED aus: Der interne Ethernetschalter ist abgeschaltet=> die beiden Ports sind nicht angeschlossen und der rechte Port wird intern Dante/AES67 zugewiesen. Der linke Port ist nur für die Steuerung/Überwachung des DSP des Verstärkers.
- LED ein: Das ist der Default-"switched mode" Der interne Ethernetschalter ist eingeschaltet=> die beiden Ports sind angeschlossen und beide arbeiten für Dante/AES67 und die Steuerung/Überwachung der Verstärker-DSP. Das bedeutet, dass nur ein Ethernetkabel für die Steuerung und das digitale Audio gebraucht wird. Das bedeutet auch, dass das Produkt in eine Daisy Chain von anderen Gigabyte-Ethernet-Produkten geschaltet werden kann, solange Sie genügend Bandbreite haben.

Step 4 - Routing und Steuerung über GPI

I/O Routing - 4-Kanal-Modelle

Alle 4 Kanal-Modelle erlauben ein direktes 4-in/4 out Analogrouting, bei denen mit 1 und 2 etikettierte analoge Eingänge die Summierung von symmetrischen und unsymmetrischen Eingängen sind. Wenn man nur unsymmetrische Eingänge benutzt, werden diese ein 12dBBoost bekommen, sodass normal unsymmetrische Quellen genügend hohe Pegel liefern können, um den Verstärker auf volle Leistung hochzufahren. Wenn man symmetrische und unsymmetrische Eingänge simultan benutzt, werden die letzteren eine weitere -30dB -Reduzierung bekommen, sodass den symmetrischen Quellen Vorrang gegeben wird.

I/O Routing - 2-Kanal-Modelle

Alle 2-Kanal-Modelle haben gemischt zwei unsymmetrische Eingänge (mit 1 und 2 etikettiert) und zwei symmetrische Eingänge (mit 3 und 4 etikettiert), das heißt, dass symmetrische und unsymmetrische Quellen benutzt werden können.

I/O Routing - Dante/AES67 (AD Modelle)

Bei AD-Modellen stehen vier zusätzliche Dante/AES67 Eingänge und Ausgänge zur Verfügung. Für diese Modelle ist die Quellenauswahlstrategie standardmäßig eingeschaltet, wobei die Dante/AES67-Eingänge eine Priorität über die entsprechenden Analogeingänge haben, wenn das Audiosignal von beiden Quellentypen simultan kommt. Die Quellenauswahl und die Prioritätseinstellungen können vom ArmoniaPlus oder einem dritten API konfiguriert werden.

VCA Vorgang über GPIs

Bei 4-Kanal-Modellen können die vier Anschlüsse für GPI-Geräte an der Rückwand des Verstärkers an passive 10kOhm-Potentiometer angeschlossen werden, um die Output-Pegel zu senken. Jede GPI-Anschlussstelle (I1, I2, I3 und I4) entspricht einem Output-Kanal (1, 2, 3 und 4).

Bei den 2-Kanal-Modellen können die Output-Pegel an den Kanälen 1 und 2 über die GPI-Anschlussstellen I1 und I2 gesenkt werden

Consignes de sécurité importantes

 LE TRIANGLE AVEC LE SYMBOLE D'UN ÉCLAIR EST UTILISÉ POUR ALERTER L'UTILISATEUR DU RISQUE DE CHOC ÉLECTRIQUE.

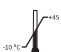
 LE TRIANGLE AVEC LE POINT D'EXCLAMATION EST UTILISÉ POUR ALERTER L'UTILISATEUR SUR DES INSTRUCTIONS DE FONCTIONNEMENT OU D'ENTRETIEN IMPORTANTES.

 LE SIGNE CE INDIQUE LA CONFORMITÉ DU PRODUIT À TOUTES LES DIRECTIVES EUROPÉENNES APPLICABLES

 SYMBOLE POUR LA CONNEXION TERRE / MASSE.

 SYMBOLE INDIQUANT QUE L'ÉQUIPEMENT EST DESTINÉ À UN USAGE INTÉRIEUR UNIQUEMENT.


 SYMBOLE DE CONFORMITÉ AVEC LA DIRECTIVE 2012/19/CE DU PARLEMENT EUROPÉEN RELATIVE AUX DÉCHETS D'ÉQUIPEMENTS ÉLECTRIQUES ET ÉLECTRONIQUES (DEEE).


 DE -10°C À +45°C AU DESSUS DE 35°C.

 DE 10 % À 90 % D'HUMIDITÉ (SANS CONDENSATION). DÉCLASSEMENT

 NE PAS UTILISER PAS L'APPAREIL À DES ALTITUDES AU-DESSUS DE 2000 M.

 NE PAS UTILISER L'APPAREIL DANS UN ENVIRONNEMENT TROPICAL.

 AVERTISSEMENT : POUR RÉDUIRE LE RISQUE DE CHOC ÉLECTRIQUE, NE PAS ESSAYER D'OUVRIR TOUTE PARTIE DE L'APPAREIL. AUCUNE PIÈCE RÉPARABLE PAR L'UTILISATEUR A L'INTÉRIEUR. RENVoyer L'ENTRETIEN AU PERSONNEL DE SERVICE QUALIFIÉ.


 LE BRANCHEMENT AU SECTEUR NE SERA EFFECTUÉ QUE PAR UNE PERSONNE QUALIFIÉE DANS LE DOMAINE ÉLECTRO-TECHNIQUE SELON LES EXIGENCES NATIONALES DES PAYS OU L'APPAREIL EST VENDU.

 N'UTILISER PAS CET AMPLIFICATEUR SI LE CORDON D'ALIMENTATION ÉLECTRIQUE EST EFFILOCHÉ OU BRISÉ.

 POUR ÉVITER LES CHOC ÉLECTRIQUES, NE TOUCHER AUCUN CÂBLAGE D'ENCEINTE EXPOSÉ LORSQUE L'AMPLIFICATEUR FONCTIONNE.

 NE PAS RENSERVER D'EAU OU D'AUTRES LIQUIDES DANS OU SUR L'AMPLIFICATEUR.


 AUCUNE SOURCE DE FLAMME NUE COMME DES BOUGIES ALLUMÉES NE DOIT ÊTRE PLACÉE SUR L'AMPLIFICATEUR.

 AVERTISSEMENT POUR PRÉVENIR LES BLESSURES, CET APPAREIL DOIT ÊTRE SOLIDEMENT FIXÉ AU SOL / MUR EN CONFORMITÉ AVEC LES INSTRUCTIONS D'INSTALLATION.

 CET APPAREIL DOIT ÊTRE ALIMENTÉ EXCLUSIVEMENT PAR RACCORDS DE SECTEUR CONNECTÉS À LA TERRE DANS DES RÉSEAUX ÉLECTRIQUES CONFORMES AUX NORMES CEI 364 OU AUX RÈGLES SIMILAIRES

 DÉCONNECTER LA SOURCE SECTEUR AV AVANT DE TENTER TOUT NETTOYAGE DE L'AMPLIFICATEUR

 LE DISJONCTEUR DOIT SUPPORTER 375 VA PAR MEZZO, DONC 3 MEZZO MAXIMUM PAR SORTIE À 115 V 10A, OU 6 MEZZO MAXIMUM PAR SORTIE À 230 V 10A

 IL EST FORTEMENT RECOMMANDÉ DE DÉBRANCHER LES CONNECTEURS DE SORTIE AVANT DE PROCÉDER À LA PROCÉDURE D'AUTO-VÉRIFICATION

 LES SIGNAUX D'ESSAI PEUVENT CAUSER DES DÉFAILLANCES AUX HAUT-PARLEURS.

 LES TERMINAUX DE SORTIE SONT DANGEREUX : LA CONNEXION DU CÂBLAGE À CES BORNES REQUIERT L'INSTALLATION PAR UNE PERSONNE FORMÉE ET L'UTILISATION DE FILS PRÊTS À L'EMPLOI.

 BRANCHER CORRECTEMENT LA FICHE SECTEUR CA À L'ENTRÉE DE L'AMPLIFICATEUR. AVANT D'ALIMENTER CET AMPLIFICATEUR, VÉRIFIER QUE LA TENSION UTILISÉE EST CORRECTE.

 VÉRIFIER QUE VOTRE CONNEXION SECTEUR EST CAPABLE DE SATISFAIRE LES VALEURS DE PUISSANCE DE L'APPAREIL.

 VEILLER À VERROUILLER LA BORNE DE SORTIE AVANT D'ALLUMER L'APPAREIL.



ATTENTION
RISQUE DE CHOC ÉLECTRIQUE NE PAS OUVRIR



Cet appareil a été conçu et fabriqué pour assurer votre sécurité personnelle. Mais UNE UTILISATION INCORRECTE PEUT ENTRAÎNER UN RISQUE D'ÉLECTROCUTION OU D'INCENDIE.

Respecter les règles de base suivantes pour son installation, utilisation et entretien, afin de ne pas compromettre les mesures de sécurité incorporées dans ce produit. Veuillez lire attentivement ces "Consignes de sécurité importantes" avant utilisation.

- Lire ces instructions.
- Conserver ces instructions.
- Tenir compte de tous les avertissements.
- Suivre toutes les instructions.
- Ne pas utiliser cet équipement près de l'eau.
- Nettoyer uniquement à l'aide d'un chiffon sec.
- Ne bloquer aucune bouche d'aération. Installer conformément aux instructions du fabricant.
- Ne pas installer à proximité de sources de chaleur telles que radiateurs, bouches de chaleur, poêles ou autres appareils produisant de la chaleur.
- Ne pas déjouer l'objectif de sécurité de la fiche polarisée ou mise à la terre. Une fiche polarisée possède deux lames dont l'une est plus large que l'autre. Une prise de terre à deux lames et une troisième broche de mise à la terre. La lame large ou la troisième broche sont fournies pour votre sécurité. Si la fiche fournie ne rentre pas dans votre prise, consulter un électricien pour le remplacement de la prise obsolète.
- Protéger le cordon d'alimentation contre tout piétinement ou pincement, en particulier au niveau des fiches, des prises de courant et du point de sortie de l'appareil.
- Utiliser uniquement les fixations/accessoires spécifiés par le fabricant.
- Utiliser uniquement avec le chariot, le support, le trépied, l'étrier ou la table spécifiée par le fabricant ou vendus avec l'appareil. Lorsqu'un chariot est utilisé, faire attention pendant le déplacement du bloc chariot/appareil pour éviter les blessures causées par un renversement.
- Débrancher cet appareil pendant les orages ou lorsqu'il n'est pas utilisé pendant de longues périodes.
- Confier toute réparation à un technicien qualifié. Un entretien est requis lorsque l'appareil a été endommagé de quelque façon que ce soit, par exemple un cordon d'alimentation ou une prise endommagée, du liquide qui a été renversé ou des objets qui sont tombés dans l'appareil, si l'appareil a été exposé à la pluie ou à l'humidité ou s'il est tombé.
- L'appareil doit être connecté à une prise SECTEUR dotée d'une mise à la terre de protection
- Lorsque la prise SECTEUR ou un coupleur approprié est utilisé comme dispositif de déconnexion, le dispositif de déconnexion doit rester facilement accessible.



LE FABRICANT NE PEUT ÊTRE TENU RESPONSABLE DES DOMMAGES CAUSÉS AUX PERSONNES, AUX CHOSSES OU AUX DONNÉES EN RAISON D'UNE CONNEXION À LA TERRE INCORRECTE OU MANQUANTE.

CONTACTER LE CENTRE DE SERVICE AUTORISÉ POUR UN ENTRETIEN ORDINAIRE ET EXTRAORDINAIRE.

IL EST ABSOLUMENT NÉCESSAIRE DE VÉRIFIER CES CONDITIONS FONDAMENTALES DE SÉCURITÉ ET, EN CAS DE DOUTE, D'OBTENIR UNE VÉRIFICATION PRÉCISE PAR DU PERSONNEL QUALIFIÉ.

Directive WEEE

Si le moment est venu de jeter votre produit, veuillez recycler tous les composants possibles.



Ce symbole indique que lorsque l'utilisateur final souhaite se débarrasser de ce produit, il doit l'envoyer à des sociétés de collecte distinctes pour sa récupération et recyclage. En séparant ce produit des autres déchets ménagers, le volume de déchets envoyés aux incinérateurs ou aux décharges sera réduit et les ressources naturelles seront ainsi conservées.

La directive relative aux déchets d'équipements électriques et électroniques (directive WEEE) vise à minimiser l'impact des produits électriques et électroniques sur l'environnement. Powersoft S.p.A se conforme à la directive 2012/19 / UE du Parlement européen sur le financement des déchets électriques, le coût du traitement et la récupération des équipements électroniques (DEEE) afin de réduire la quantité de DEEE qui est éliminé dans le site d'enfouissement.

Tous nos produits sont marqués du symbole DEEE ; ceci indique que ce produit NE doit PAS être éliminé avec d'autres déchets. Il incombe au contraire à l'utilisateur de se débarrasser de ses déchets d'équipements électriques et électroniques en les remettant à une entreprise de retraitement ou en les retournant à Powersoft S.p.A. pour les retraiter. Pour plus d'informations sur l'endroit où vous pouvez envoyer vos équipements usagés pour le recyclage, veuillez contacter Powersoft S.p.A ou l'un de vos distributeurs locaux.

Déclaration de Conformité CE

Fabricant :
Powersoft S.p.A.
via E. Conti 5
50018 Scandicci (Fi)
Italie



Nous déclarons sous notre seule responsabilité que les produits :
Nom des modèles :

MEZZO 322 A
MEZZO 324 A
MEZZO 602 A
MEZZO 604 A
MEZZO 322 AD
MEZZO 324 AD
MEZZO 602 AD
MEZZO 604 AD

Utilisation prévue : Amplificateur audio professionnel

Sont conformes aux dispositions des directives CE suivantes, y compris toutes les modifications, et à la législation nationale mettant en œuvre ces directives :

Directive basse tension 2014/35 / UE
Directive sur la compatibilité électromagnétique 2014/30 / EU
Directive RoHS 2011/65/EU

Les normes harmonisées suivantes sont appliquées :

EN 55032 : 2012
EN 55035 : 2017
EN 60065 : 2014/CA : 2016

Scandicci,
Septembre 2019

Luca Lastrucci
Directeur général

Pour les questions de conformité uniquement : compliance@powersoft.it

Opérations préliminaires

Liste de colis

La boîte contient les éléments suivants :

- 1 amplificateur Mezzo
- Connecteurs de bloc
- 2 Supports A
- 2 supports B
- 2 vis (pour la fixation des supports)
- Câble d'alimentation
- 1 clé T8 en forme de L
- 1 support de bouchon de retenue
- 1 feuille de gabarit de montage mural

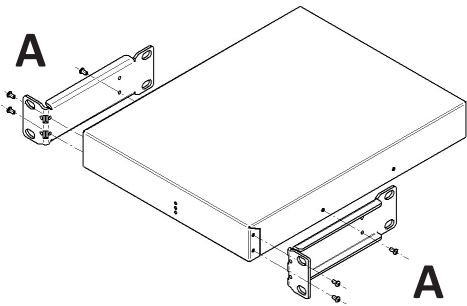
Emplacement

Installez votre amplificateur dans un endroit permettant un échange d'air. L'amplificateur est livré avec des accessoires de montage pour les options de montage suivantes :

Sur une étagère – Les pieds en caoutchouc vous permettent de régler votre amplificateur sur n'importe quelle surface plane.

Montage personnalisé – Il est possible de concevoir des accessoires sur mesure pour les poteaux et d'autres applications, à l'aide de vis ajustées aux trous filetés de l'amplificateur. Ces vis ne doivent pas dépasser 8 mm. Le moyen le plus sûr d'éviter les erreurs est d'utiliser les vis fournies.

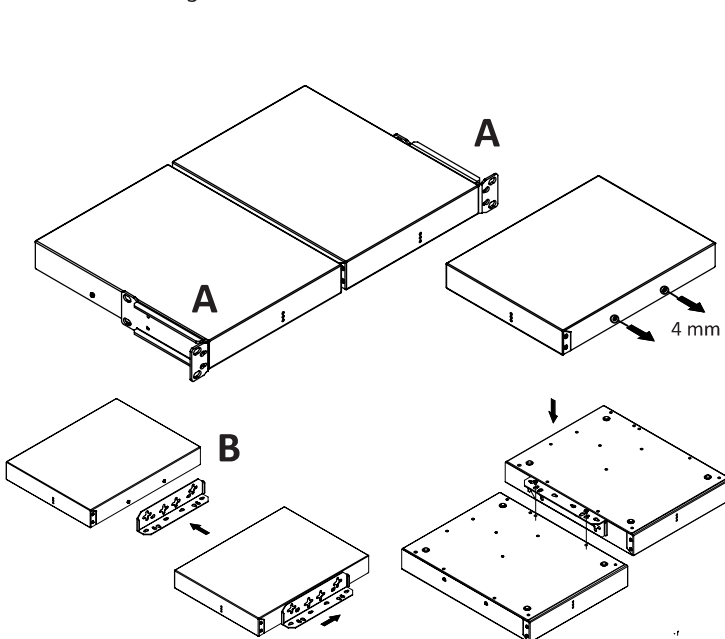
Montage simple en rack 19" – À l'aide de 2 « supports A », il est possible de monter un seul amplificateur dans un rack 19".



Montage en rack 19" en tandem – À l'aide de 1 « support B », il est possible de monter deux Mezzo d'un côté à l'autre, puis de les monter à l'aide des 2 « supports A » dans 1 RU dans un rack 19".

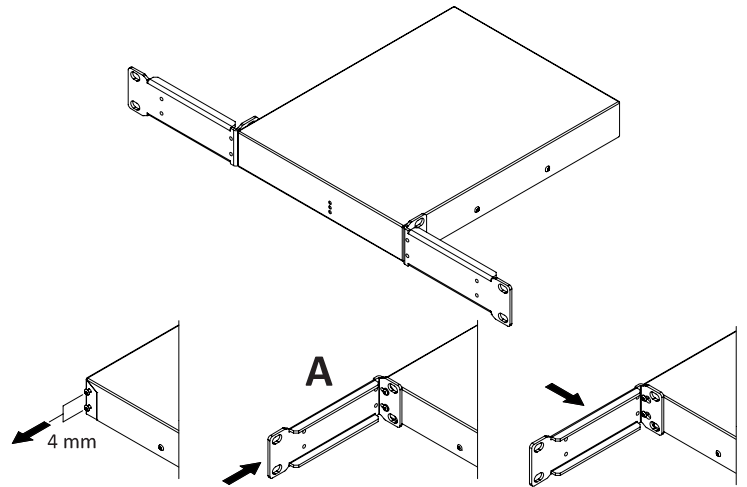
Dévissez les vis indiquées sur le premier Mezzo sans les retirer complètement, mettez le « Support B » en place en insérant les vis dans les trous de serrure et serrez les vis en évitant de trop serrer.

Retournez les deux Mezzo à l'envers, retirez les vis illustrées du bas du deuxième Mezzo, faites correspondre les trous du « Support B » avec les trous de vis résultants et revissez les vis d'origine en évitant de trop serrer. Appliquez 2 " Supports A » en retirant les vis de chaque côté, en faisant correspondre les trous de vis obtenus avec les trous du support, et en vissant les vis d'origine sans les serrer excessivement.

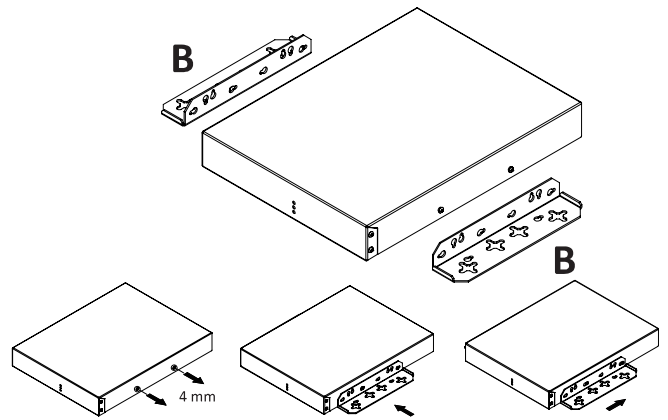


Montage sur un demi-rack – En utilisant 2 « Supports A », il est possible de monter un seul amplificateur dans un rack demi-largeur.

Dévisser les vis indiquées (2 de chaque côté) sans les retirer complètement, régler 2 « Supports A » (un de chaque côté) en place en insérant les vis dans les trous de serrure et serrer les vis en évitant de trop serrer.

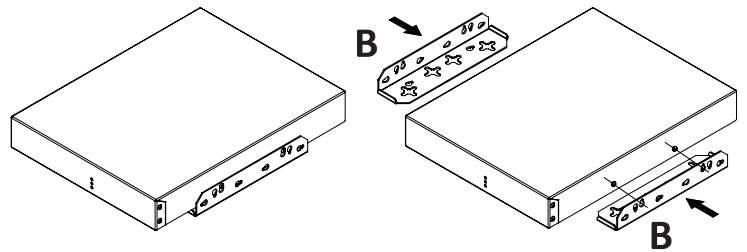


Montage en surface – À l'aide de 2 « Supports B », il est possible de monter un amplificateur verticalement sur un mur ou à l'envers sous une table ou au plafond. Dans ce dernier cas, il suffit de retourner les supports.



Montage en surface (supports cachés) – À l'aide de 2 « Supports B », il est possible de monter un amplificateur comme illustré dans le cas précédent, tout en masquant les supports sous Mezzo.

Utilisez le gabarit de perçage (inclus dans la boîte) pour fixer au moins 2 vis au mur, fixez les supports à l'amplificateur, puis faites-le simplement glisser sur les vis murales.



Refroidissement

Les modèles 600W implémentent un système de refroidissement à air forcé à température contrôlée. L'air entre par l'avant et existe à l'arrière de l'amplificateur. Le ventilateur a 3 modes :

STILL - si la température de l'espace entourant l'amplificateur est $\leq 35^\circ$ et que la puissance de sortie moyenne est ≤ 1 W par canal.

WHISPER - si la puissance moyenne est ≤ 4 W par canal. Le bruit du ventilateur à 1 m est ≤ 30 dBA dans ce mode.

REGULATED - Mezzo adapte la vitesse du ventilateur pour rester au frais. Le bruit du ventilateur à 1 m est ≤ 45 dBA dans ce mode.

Dans les rares cas de surchauffe, l'amplificateur désactivera tous les canaux et fera fonctionner les ventilateurs pour atteindre une température de

Configuration et fonctionnement

État de puissance

Cet amplificateur n'a pas d'interrupteur d'alimentation. Il s'allume automatiquement lorsque le courant alternatif est connecté et passe en mode veille si aucun signal n'est présent pendant 25 minutes.

Lorsqu'un signal d'entrée supérieur à -60dB par rapport au niveau requis pour la pleine puissance est appliqué, l'amplificateur se rallume dans les 2 secondes.

DSP et configuration matricielle

L'amplificateur comprend une gamme complète de fonctions pouvant être configurées de deux manières.

- Automatique - sans utiliser aucune application ou logiciel.
- Avancé - utilisez le logiciel pour définir plus de paramètres et optimiser les fonctionnalités.

Configuration automatique

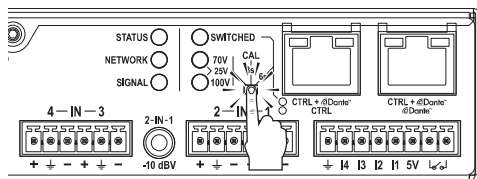
C'est un moyen très simple de configurer l'amplificateur sans logiciel. Il est idéal si vous souhaitez uniquement un amplificateur avec une réponse en fréquence uniforme, qui peut être surveillé et, s'il s'agit d'un modèle AD, y acheminer l'audio avec un logiciel tiers.

La configuration automatique configurera les limiteurs de sorte qu'un canal atteigne la capacité maximale de l'alimentation, avec une entrée analogique équilibrée de 4 dBu (ou -6 dBFS pour Dante/AES67). Cela signifie qu'il ajuste également le gain de sorte que l'amplificateur ait le gain nécessaire pour tous les canaux. La méthode pour « assigner la puissance » se fait alors simplement en ajustant le niveau du contenu aux différents canaux.

Il définira également les filtres passe-haut automatiquement. La coupure sera sélectionnée de sorte que les fréquences inférieures à la fréquence de résonance, ainsi que les fréquences saturant les transformateurs dans les haut-parleurs Hi-Z, soient atténuées.

Remarque ! La configuration automatique n'est possible et ne peut être répétée que si aucun réglage ni paramètre de l'amplificateur n'a été modifié manuellement. Dans le cas de modifications manuelles, il sera toujours possible de déclencher la configuration automatique, mais uniquement à des fins de vérification et de surveillance. Les nouvelles valeurs mesurées ne seront sauvegardées que lorsque les réglages et paramètres seront réinitialisés à leurs valeurs initiales ou qu'une réinitialisation d'usine sera effectuée. Afin de rétablir le mode par défaut d'usine de Mezzo, commencez par débrancher le câble d'alimentation. Appuyez sur le bouton-poussoir situé sur le panneau arrière de l'amplificateur et maintenez-le enfoncé, puis rebranchez le câble d'alimentation tout en maintenant le bouton enfoncé. Attendez que les voyants d'état de l'amplificateur clignotent en rouge trois fois, puis relâchez.

Étape 1 - Sélectionner la tension maximale



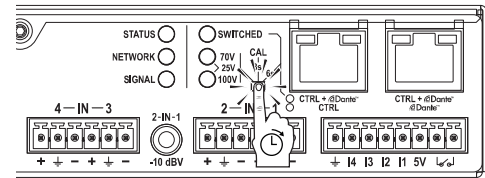
Aucun canal ne se verra jamais attribuer de limiteur dépassant la puissance de l'alimentation. La principale raison du choix de la tension maximale est de veiller à ce que les haut-parleurs 25/70/100 V obtiennent la puissance sélectionnée lors de leur mise sur écoute, si un canal utilise moins d'énergie qu'il ne peut en fournir.

Si l'application est 25V ou 70V, il existe un risque que les limiteurs soient réglés trop haut si la charge connectée ne nécessite pas une alimentation complète. La tension maximale peut être sélectionnée en appuyant brièvement sur le bouton-poussoir situé sur le panneau arrière de l'amplificateur. La tension sélectionnée sera affichée comme suit :

70V Voyant	100V Voyant	Pic maximum Tension	RMS maximum Tension	Description
Non éclairé	Allumé	141,4 V _{peak}	100 V _{rms}	Fonctionne également dans des configurations mixtes 100V et basse impédance
Allumé	Non éclairé	100 V _{peak}	70,7 V _{rms}	Fonctionne également dans des configurations mixtes 70V et basse impédance
Allumé	Allumé	35,4 V _{peak}	25 V _{rms}	Fonctionne également dans des configurations mixtes 70V et basse impédance
Non éclairé	Non éclairé	Paramètres personnalisés		Cela ne peut pas être sélectionné à partir du panneau arrière. Les limiteurs ont été définis manuellement dans le logiciel et ne peuvent pas être modifiés sans réinitialisation d'usine

Veillez noter que pour les charges à basse impédance, il n'est pas nécessaire de sélectionner la tension maximale

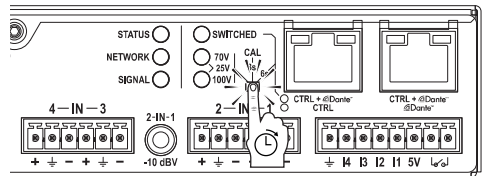
Étape 2 - Calibrer



Appuyez sur le bouton-poussoir jusqu'à ce que le voyant « Signal » devienne violet, puis relâchez-le dans les 2 secondes. Cela déclenchera une mesure d'impédance automatique pour chaque canal. Cela sera fait à un niveau suffisamment élevé pour pouvoir mesurer correctement un haut-parleur de 8 ohms. Si l'impédance est plus élevée, la mesure peut être considérée comme trop bruyante et se répète alors automatiquement. Veuillez noter qu'il peut générer un SPL supérieur à 95 dB si les haut-parleurs sont suffisamment sensibles.

La mesure d'impédance définira automatiquement les seuils d'avertissement pour la surveillance des modifications. Il définira également les limiteurs de sorte que le canal puisse jouer aussi fort que le permettent la conception et le modèle, sans distorsion.

Étape 3 - Sélectionner le mode de fonctionnement Ethernet (modèles AD)



Appuyez sur le bouton-poussoir jusqu'à ce que le voyant « Network » devienne violet, puis relâchez-le dans les 2 secondes. Cela réinitialisera l'amplificateur sur auto-IP, basculera le mode Ethernet et mettra à jour l'indicateur « Switched » :

- Non éclairé : Le commutateur Ethernet interne est désactivé => les deux ports ne sont pas connectés et le port de droite est ensuite attribué en interne pour Dante/AES67. Le port de gauche sert uniquement à contrôler/surveiller le DSP de l'amplificateur.
- Allumé : C'est le « Switched mode » par défaut. Le commutateur Ethernet interne est activé => les deux ports sont connectés et fonctionneront pour Dante/AES67 et pour le contrôle/surveillance du DSP de l'amplificateur. Cela signifie qu'un seul câble Ethernet est nécessaire pour le contrôle et l'audio numérique. Cela signifie également que le produit peut être inséré en série dans une chaîne de produits Ethernet Gigabit, tant que la bande passante est suffisante.

Étape 4 - Routage et contrôle via GPI

Routage E/S - Modèles à 4 canaux

Tous les modèles à 4 canaux permettent un routage analogique direct 4 entrées/4 sorties, où les entrées analogiques étiquetées 1 et 2 représentent la somme des entrées symétriques et asymétriques. Lorsque vous utilisez uniquement des entrées asymétriques, celles-ci auront un boost de 12dB, de sorte que les sources asymétriques normales délivrent un niveau suffisant pour conduire l'amplificateur à pleine puissance. En utilisant simultanément les entrées symétriques et asymétriques, ces dernières bénéficieront d'une réduction supplémentaire de -30dB, de sorte que la priorité sera donnée aux sources symétriques.

Routage des E/S - Modèles à 2 canaux

Tous les modèles à 2 canaux combinent deux entrées asymétriques (étiquetées 1 et 2) et deux entrées symétriques (étiquetées 3 et 4), ce qui signifie que des sources symétriques et asymétriques peuvent être utilisées.

Routage des E/S - Dante/AES67 (modèles AD)

Dans les modèles AD, quatre entrées et sorties Dante/AES67 supplémentaires sont disponibles. Pour ces modèles, la stratégie de sélection de source est activée par défaut, les entrées Dante/AES67 ayant une priorité plus élevée que les entrées analogiques correspondantes lorsque le signal audio provient simultanément des deux types de source. Les paramètres de sélection de source et de priorité peuvent être configurés à partir d'ArmoniaPlus ou d'une API tierce.

Opération VCA via les GPI

Sur les modèles à 4 canaux, les quatre bornes GPI situées sur le panneau arrière de l'amplificateur peuvent être connectées à des potentiomètres passifs de 10kOhms afin d'atténuer les niveaux de sortie. Chaque connecteur GPI (I1, I2, I3 et I4) correspond à un canal de sortie (1, 2, 3 et 4 respectivement).

Dans les modèles à 2 canaux, les niveaux de sortie des canaux 1 et 2 peuvent être atténués avec les connecteurs GPI I1 et I2 respectivement.

Importantes Instrucciones de Seguridad



EL TRIÁNGULO CON EL RAYO ES USADO PARA ALERTAR AL USUARIO DEL RIESGO DE DESCARGA ELÉCTRICA.



EL TRIÁNGULO CON EL SIGNO DE EXCLAMACIÓN ES USADO PARA ALERTAR AL USUARIO DE INSTRUCCIONES DE OPERACIÓN Y MANTENIMIENTO IMPORTANTES.



EL MARCADO CE INDICA QUE EL PRODUCTO CUMPLE TODAS LAS DIRECTIVAS EUROPEAS VIGENTES



SÍMBOLO PARA TIERRA/CONEXIÓN A TIERRA.



SÍMBOLO INDICANDO QUE EL EQUIPO ES SOLO PARA USO INTERIOR.



SÍMBOLO PARA LA CONFORMIDAD CON LA DIRECTIVA 2012/19/EC DEL PARLAMENTO EUROPEO SOBRE EL DESECHO DE EQUIPOS ELÉCTRICOS Y ELECTRÓNICOS (WEEE por sus siglas en Inglés).



ENTRE -10°C Y +45°C DEGRADACIÓN POR ENCIMA DE 35°C.



ENTRE 10% Y 90% DE HUMEDAD (SIN CONDENSADO).



NO USE LA UNIDAD EN ALTITUDES SOBRE LOS 2000 METROS.



NO USE LA UNIDAD EN AMBIENTES TROPICALES.



ADVERTENCIA: PARA REDUCIR EL RIESGO DE DESCARGA ELÉCTRICA, NO INTENTE ABRIR NINGUNA PARTE DE LA UNIDAD. NO EXISTEN PARTES INTERNAS REPARABLES PARA EL USUARIO. REFIERA LA REVISIÓN A PERSONAL DE MANTENIMIENTO CALIFICADO.



LA CONEXIÓN A LA RED ELÉCTRICA DEBERÁ SER EFECTUADA SOLAMENTE POR UNA PERSONA QUE ESTÉ CAPACITADA EN EL ÁREA DE ELECTROTÉCNICA DE ACUERDO A LOS REQUERIMIENTOS NACIONALES DE LOS PAÍSES DONDE LA UNIDAD SEA VENDIDA.



NO USE ESTE AMPLIFICADOR SI EL CABLE DE LA ENERGÍA ELÉCTRICA ESTÁ RASGADO O CORTADO.



CON EL FIN DE EVITAR DESCARGAS ELÉCTRICAS, NO TOQUE NINGÚN CABLEADO DEL ALTOPARLANTE QUE SE ENCUENTRE AL DESCUBIERTO MIENTRAS EL AMPLIFICADOR ESTÉ FUNCIONANDO.



NO DERRAME AGUA U OTROS LÍQUIDOS DENTRO O SOBRE EL AMPLIFICADOR.



NO DEBEN COLOCARSE FUENTES DE LLAMAS DESCUBIERTAS TALES COMO VELAS ENCENDIDAS SOBRE EL AMPLIFICADOR.



ADVERTENCIA: PARA EVITAR DAÑOS, ESTE APARATO DEBE ESTAR ADHERIDO DE FORMA SEGURA AL SUELO/PARED CONFORME A LAS INSTRUCCIONES PARA SU INSTALACIÓN.



ESTE DISPOSITIVO DEBE SER ENCENDIDO EXCLUSIVAMENTE DESDE LOS TOMACORRIENTES DE LA RED ELÉCTRICA CONECTADOS A TIERRA EN REDES ELÉCTRICAS QUE CUMPLEN CON LAS REGLAS IEC 364 O AFINES



DESCONECTE LA FUENTE DE LA RED ELÉCTRICA AC ANTES DE INTENTAR LIMPIAR CUALQUIER PARTE DEL AMPLIFICADOR



EL INTERRUPTOR DEBE SOPORTAR 375 VA POR MEZZO, POR LO QUE MÁX. 3 MEZZO POR TOMACORRIENTE A 115V 10A, O MÁX. 6 MEZZO POR TOMACORRIENTE CON 230V 10A



SE RECOMIENDA ALTAMENTE DESENCHUFAR LOS CONECTORES DE SALIDA ANTES DE CONTINUAR CON EL PROCEDIMIENTO DE AUTO CHEQUEO



LAS SEÑALES DE PRUEBA PODRÍAN CAUSAR DETERIOROS EN EL ALTAVOZ.



CLASS2 WIRING

LOS TERMINALES DE SALIDA SON PELIGROSOS: LA CONEXIÓN DE CABLES A ESTOS TERMINALES REQUIERE DE INSTALACIÓN EFECTUADA POR UNA PERSONA CON LA FORMACIÓN ADECUADA Y EL USO DE CABLES YA ENSAMBLADOS.



INSTALE APROPIADAMENTE LOS ENCHUFES DE LA RED ELÉCTRICA AC EN LA ENTRADA DEL AMPLIFICADOR. ANTES DE ENCENDER ESTE AMPLIFICADOR, VERIFIQUE QUE ESTÉ SIENDO USADO EL ÍNDICE DE VOLTAJE CORRECTO.



VERIFIQUE QUE SU CONEXIÓN A LA RED ELÉCTRICA ES CAPAZ DE SATISFACER LOS ÍNDICES DE ENERGÍA DE ESTE DISPOSITIVO.



ASEGÚRESE DE CERRAR EL TERMINAL DE SALIDA ANTES DE ENCENDER EL DISPOSITIVO.



Esta unidad ha sido diseñada y fabricada para garantizar su seguridad personal. Pero SU USO INADECUADO PUEDE RESULTAR EN UNA POTENCIAL DESCARGA ELÉCTRICA O RIESGO DE FUEGO.

Con el fin de no anular las garantías incorporadas en este producto, siga las siguientes reglas básicas para su instalación, uso y servicio. Por favor lea cuidadosamente estas "Garantías Importantes" antes de su uso.

- Lea estas instrucciones.
- Mantenga estas instrucciones.
- Tenga en cuenta todas las advertencias.
- Siga todas las instrucciones.
- No use este equipo cerca del agua.
- Limpie solamente con un paño seco.
- No bloquee las aberturas de ventilación. Instale en conformidad con las instrucciones del fabricante.
- No instale cerca de ninguna fuente de calor tales como radiadores, registradores de calor, cocinas u otros aparatos que produzcan calor.
- No anule el propósito de seguridad del enchufe polarizado o con conexión a tierra. Un enchufe polarizado tiene dos clavijas, una más ancha que la otra. Un enchufe con conexión a tierra tiene dos clavijas y un tercer diente para su conexión a tierra. La clavija ancha o el tercer diente se proporcionan para su seguridad. Si el enchufe proporcionado no encaja en su tomacorriente, consulte a un electricista para que reemplace el que ya no sirve.
- Proteja el cable de electricidad para que no sea pisoteado o pinchado particularmente en los enchufes, los receptáculos de conveniencia y el punto donde estos salen del aparato.
- Use solo complementos/accesorios especificados por el fabricante.
- Use solo con el carrito, estante, trípode, anaquel o mesa especificados por el fabricante o vendidos con el aparato. Cuando se usa un carrito, tenga cuidado al mover la combinación de carrito/aparato y así evitar daños en caso de que se caiga.
- Desenchufe este aparato durante una tormenta eléctrica o cuando no se use por largos períodos de tiempo.
- Refiera todo el mantenimiento a personal calificado. Se requiere de servicio cuando el aparato ha sido dañado en cualquier forma, tales como enchufes o cables de suministro de energía eléctrica dañados, que se haya derramado líquido u objetos hayan caído dentro del aparato, que el aparato haya sido expuesto a la lluvia o humedad, que no funcione normalmente o que este se haya caído.
- Este aparato deberá ser conectado a un enchufe de salida de red eléctrica con una protectora conexión a tierra
- En el lugar donde sea usado un enchufe de salida de red eléctrica o un acoplador apropiado como el dispositivo de desconexión, este deberá poder accionarse fácilmente.



EL FABRICANTE NO SE HACE RESPONSABLE POR DAÑOS CAUSADOS A PERSONAS, OBJETOS O DATOS DEBIDO A UNA CONEXIÓN A TIERRA INAPROPIADA O FALTANTE.

CONTACTE AL CENTRO DE SERVICIO AUTORIZADO PARA MANTENIMIENTO DE RUTINA O EXTRAORDINARIO.

ES ABSOLUTAMENTE NECESARIO VERIFICAR ESTOS REQUERIMIENTOS FUNDAMENTALES DE SEGURIDAD Y, EN CASO DE DUDA, EXIJA UN CORRECTO CHEQUEO POR PARTE DE UN PERSONAL CALIFICADO.

Directiva WEEE

Si llegase el tiempo de deshacerse del producto, por favor recicle todos los componentes posibles.



Este símbolo indica que cuando el usuario final desea descartar este producto, este debe ser enviado a unas instalaciones de recolección por separado para su recuperación y reciclaje. Separando este producto de otro desecho del tipo de residuo doméstico, el volumen del desperdicio enviado a los incineradores o rellenos sanitarios se reducirá y así los recursos naturales se conservarán.

La Directiva de Desecho de Equipos Electrónicos y Eléctricos (Directiva WEEE) tiene como objetivo minimizar el impacto de los artículos eléctricos y electrónicos en el ambiente. Powersoft S.p.A. cumpliendo con la Directiva 2012/19/EU del Parlamento Europeo sobre los desechos eléctricos, financia el costo del tratamiento y la recuperación de equipos electrónicos (WEEE) con el fin de reducir la cantidad que está siendo eliminada en los vertederos.

Todos nuestros productos están marcados con el símbolo WEEE; esto indica que este producto NO DEBE ser botado con otros desechos. Al contrario, es responsabilidad del usuario eliminar su desecho eléctrico y equipos electrónicos entregándolo a una entidad transformadora aprobada, o devolviéndolo a Powersoft S.p.A. para reprocesarla. Para más información acerca de dónde usted puede enviar el desecho de su equipo para reciclaje, por favor contacte Powersoft S.p.A. o uno de sus distribuidores locales.

Declaración de Conformidad EC

Fabricante:
Powersoft S.p.A.
via E. Conti 5
50018 Scandicci (Fi)
Italia



Declaramos que bajo nuestra única responsabilidad los productos:
Nombres de los Modelos:

MEZZO 322 A
MEZZO 324 A
MEZZO 602 A
MEZZO 604 A
MEZZO 322 AD
MEZZO 324 AD
MEZZO 602 AD
MEZZO 604 AD

Uso previsto: Amplificador de Audio Profesional

Están en conformidad con las disposiciones de las siguientes Directivas EC, incluyendo las enmiendas, y con la legislación nacional que implementan estas directivas:

2014/35/EU	Normativa de Alto Voltaje
2014/30/EU	Normativa de Compatibilidad Electromagnética
2011/65/EU	Normativa RoHS

Se aplican las siguientes normas armonizadas:

EN 55032: 2012
EN 55035: 2017
EN 60065: 2014 /AC: 2016

Scandicci,
Septiembre de 2019

Luca Lastrucci
Director Ejecutivo

Solo para cuestiones de cumplimiento: compliance@powersoft.it

Operaciones Preliminares

Lista de Paquetes

La caja contiene lo siguiente:

- 1 amplificador Mezzo
- Bornero
- 2 Soporte A
- 2 Soporte B
- 2 tornillos (para la fijación de los soportes)
- Cable de tensión de red
- 1 llave T8 en L
- 1 abrazadera de sujeción de la toma
- 1 plantilla montaje en pared

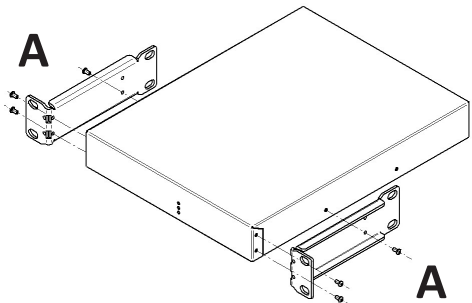
Locación

Instale su amplificador en un lugar que permita el intercambio de aire. El amplificador se entrega con accesorios de montaje para las siguientes opciones de montaje:

En un estante – La pata de goma permite instalar el amplificador sobre cualquier superficie plana.

Montaje personalizado – Es posible personalizar los elementos de fijación para postes y otras aplicaciones, usando tornillos enroscados en los agujeros roscados en el amplificador. La longitud de estos tornillos no debe superar los 8 mm. La manera más segura de evitar errores es usar los tornillos adecuados.

Montaje individual en rack 19" – Usando los 2 "soporte A", se puede montar un amplificador individual en un rack de 19".

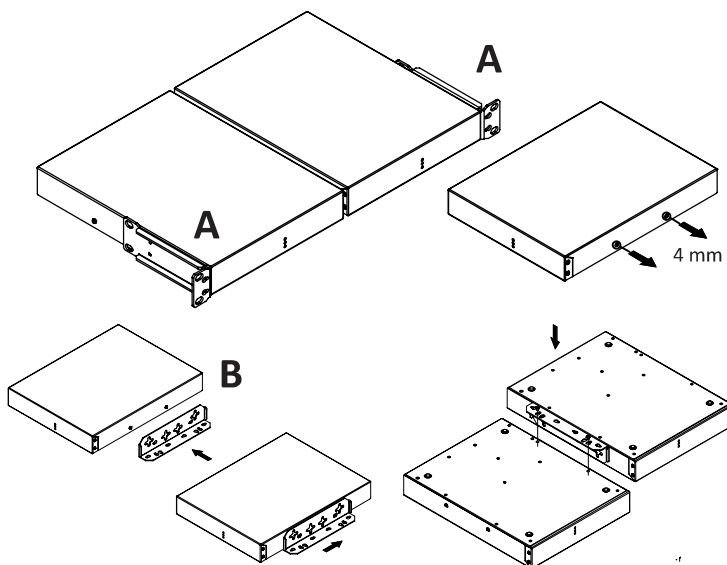


Montaje tándem en rack 19" – Usando 1 "soporte B", se pueden montar dos Mezzo en modo flanqueado para luego montarlos usando los 2 "soporte A" en 1 UR en un rack 19".

Destornillar los tornillos indicados en el primer Mezzo sin retirarlos por completo, colocar el "soporte B" encajando los tornillos en los ranuras, y apretar los tornillos evitando apretarlos de manera excesiva.

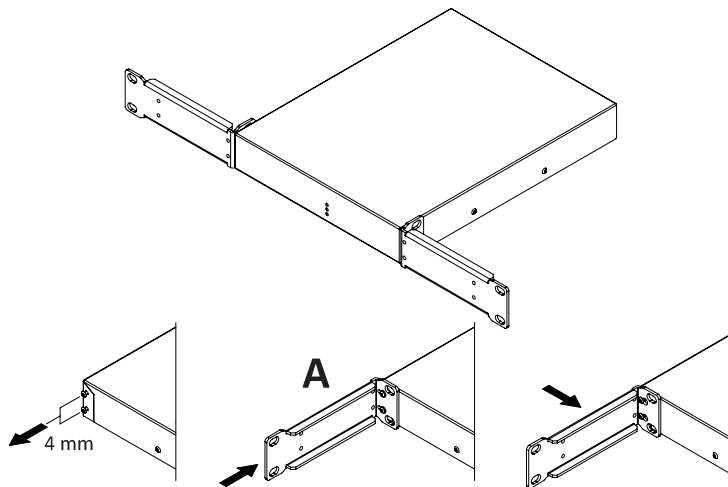
Colocar ambos Mezzo hacia abajo, retirar los tornillos mostrados desde el fondo del segundo Mezzo, hacer coincidir los agujeros en el "Soporte B" con las respectivas ranuras para tornillo y volver a atornillar los tornillos originales, evitando apretarlos de manera excesiva.

Colocar los 2 "Soporte A" retirando los tornillos en cada lado, haciendo coincidir las respectivas ranuras para tornillo con los agujeros en el soporte, y volver a atornillar los tornillos originales sin apretarlos de manera excesiva.

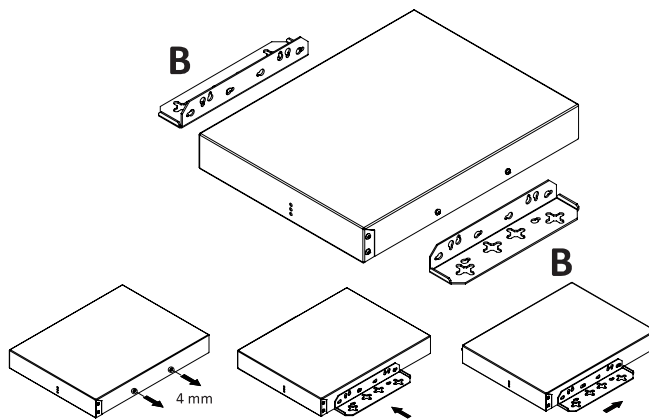


Montaje individual rack media– Usando los 2 "soporte A", se puede montar un amplificador individual en un rack de media anchura.

Destornillar los tornillos indicados (2 en cada lado) sin retirarlos por completo, colocar los 2 "soporte A" (uno en cada lado) encajando los tornillos en los ranuras, y apretar los tornillos evitando apretarlos de manera excesiva.

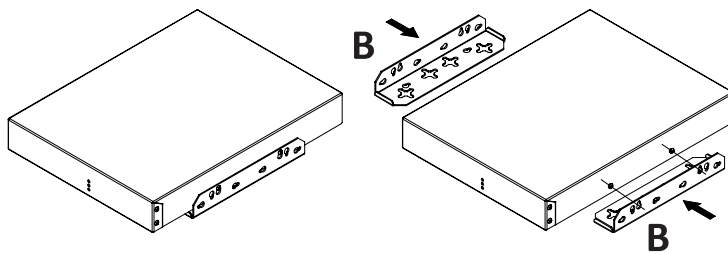


Montaje en superficie – Usando los 2 "soporte B", se puede montar un amplificador en vertical en una pared o hacia abajo debajo de una mesa o en un techo. En el último caso, basta con colocar los soportes boca abajo.



Montaje en superficie (soportes ocultos) – Usando los 2 "soporte B", se puede montar un amplificador tal como indicado en el caso anterior, ocultando los soportes debajo de Mezzo.

Usar una plantilla de perforado (incluida en la caja) para montar al menos 2 tornillos en la pared, fijar los soportes al amplificador, luego deslizarla sobre los tornillos de sujeción.



Enfriamiento

Los modelos 600W incorporan un sistema de enfriamiento por aire forzado de temperatura controlada. El aire entra por la parte delantera y sale por la parte trasera del amplificador. El ventilador tiene 3 modos de funcionamiento: STILL - si la temperatura del espacio alrededor del amplificador es $\leq 35^\circ$ y la potencia media de salida es ≤ 1 W por canal.

WHISPER - si la salida media es ≤ 4 W por canal. En este modo de funcionamiento el ruido del ventilador a 1 m es ≤ 30 dBA.

REGULATED - Mezzo ajusta la velocidad del ventilador para mantenerse frío. En este modo de funcionamiento el ruido del ventilador a 1 m es ≤ 45 dBA.

En el caso excepcional de sobrecalentamiento, el amplificador silenciará todos los canales y hará funcionar los ventiladores hasta alcanzar una

Configuración y funcionamiento

Estado potencia

Este amplificador no tiene un interruptor de potencia. Se enciende de modo automático cuando la alimentación CA está conectada y se activa en modo de espera si no hay señal durante 25 minutos.

Cuando se aplica una señal de entrada que supera los -60dB relativa al nivel requerido para máxima potencia, el amplificador volverá a encenderse en 2 segundos.

Configuración DSP y matrix

El amplificador comprende un rango completo de funciones que pueden ser configuradas en dos modos.

- Automático - sin el uso de ninguna aplicación o software.
- Avanzado - usar el software para configurar más parámetros y optimizar el funcionamiento.

Configuración automática

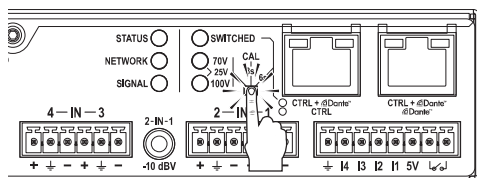
Se trata de una manera muy sencilla de configurar el amplificador que no requiere ningún software. Es ideal cuando sólo se quiere un amplificador con una respuesta en frecuencia plana que puede ser controlada y, si se trata de un modelo AD, obtener el audio enrutado al mismo con un software de terceros.

La configuración automática ajustará los limitadores de modo tal que un canal alcanza la capacidad máxima de alimentación, con una salida balanceada analógica de 4 dBu (o -6 dBFS para Dante/AES67). Ello significa que también ajusta la ganancia de modo tal que el amplificador tiene la ganancia necesaria para todos los canales. El modo para "asignar alimentación" consiste simplemente en ajustar el nivel del contenido de los diferentes canales.

También configurará de forma automática los filtros paso alto. Se seleccionará la frecuencia de corte de modo que las frecuencias inferiores a la frecuencia de resonancia, así como las frecuencias que saturan los transformadores en altavoces Hi-Z, serán atenuadas.

¡Atención! La configuración automática se puede realizar, y repetir cuando ningún ajuste o parámetro del amplificador ha sido modificado manualmente. En el caso de cambios manuales, aún es posible activar la configuración automática, pero únicamente para fines de verificación y supervisión. Los nuevos valores medidos no se guardarán hasta que se restablezcan los valores iniciales de los ajustes y los parámetros o se ejecute el reset de fábrica. Para restablecer el modo predeterminado de fábrica de Mezzo, desconectar en primer lugar el cable de alimentación. Pulsar y soltar el botón en el panel trasero del amplificador y reconectar el cable de alimentación mientras se presiona el botón. Esperar a que los leds de estado del amplificador parpadeen en color rojo tres veces y soltar.

Paso 1 - Seleccionar el voltaje máximo



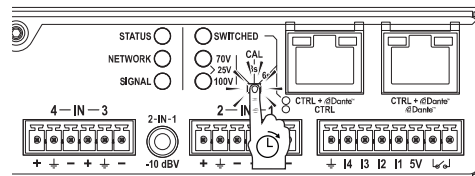
A ningún canal serán asignados limitadores que superan la potencia de alimentación. El motivo principal para seleccionar el voltaje máximo es garantizar que los altavoces 25/70/100V obtengan la potencia seleccionada en sus tapping, si un canal utiliza menos potencia de la que puede suministrar.

Si la aplicación es 25V o 70V, entonces existe el riesgo de que los limitadores se configuren demasiado alto si la carga conectada no requiere potencia máxima. El voltaje máximo puede ser seleccionado con pulsaciones cortas en el pulsador del panel trasero del amplificador. El voltaje seleccionado se visualizará del modo siguiente:

70V LED	100V LED	Pico máximo Voltaje	RMS máx. Voltaje	Descripción
Apagado	Encendido	141.4 V _{pico}	100 V _{rms}	Todo funciona en configuraciones mixtas 100V y de baja impedancia
Encendido	Apagado	100 V _{pico}	70.7 V _{rms}	Todo funciona en configuraciones mixtas 70V y de baja impedancia
Encendido	Encendido	35,4 V _{pico}	25 V _{rms}	Todo funciona en configuraciones mixtas 70V y de baja impedancia
Apagado	Apagado	Ajustes personalizados		Esto no puede ser seleccionado en el panel trasero. Los limitadores han sido configurados manualmente en el software y no pueden ser modificados sin realizar un reset de fábrica.

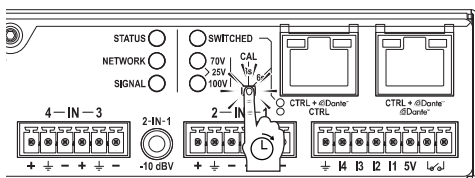
Cabe señalar que para las cargas de baja impedancia, no es necesario

Paso 2 – Calibrar



Pulsar el pulsador hasta que el LED 'Signal' se vuelve de color morado, y luego soltarlo dentro de 2 segundos. Esto activará una medida de impedancia automática para cada canal. Ello se realizará a un nivel que es lo suficientemente elevado como para medir correctamente un altavoz de 8 ohm. Si la impedancia es superior, la medida puede considerarse demasiado ruidosa y se repetirá automáticamente. Observe que podría generar un SPL que supera los 95 dB si los altavoces son suficientemente sensibles. Esta medida de impedancia determinará automáticamente los umbrales de aviso para la supervisión de los cambios. También configurará los limitadores de modo tal que el canal pueda funcionar lo más fuerte posible según el modelo y el diseño, sin distorsiones.

Paso 3 - Seleccionar el modo de funcionamiento Ethernet (modelos AD)



Pulsar el pulsador hasta que el LED 'Network' se vuelve de color morado, y luego soltarlo dentro de 2 segundos. Esto reajustará el amplificador en auto-IP y conmutará el modo Ethernet y actualizará el indicador "Switched":

- Apagado: El interruptor interno Ethernet está desactivado => los dos puertos no están conectados y el puerto derecho se asigna luego internamente para Dante/AES67. El puerto izquierdo sirve únicamente para controlar/supervisar el DSP del amplificador.
- Encendido: Este es por defecto el "switched mode". El interruptor interno Ethernet está activado => los dos puertos están conectados y ambos funcionan para Dante/AES67 y para controlar/supervisar el DSP del amplificador. Esto significa que sólo se requiere el cable Ethernet para el control y el audio digital. También significa que el producto puede ser incorporado en una conexión en cadena de otros productos Ethernet Gigabit siempre que haya suficiente ancho de banda.

Paso 4 - Enrutamiento y control por GPI

Enrutamiento E/S - modelos 4 canales

Todos los modelos de 4 canales permiten el enrutamiento analógico directo de 4 en/4 sal, donde las entradas analógicas etiquetadas 1 y 2 son la suma de las entradas balanceadas y desbalanceadas. Cuando se utilizan únicamente entradas balanceadas, estas tendrán un incremento de 12dB de modo tal que las normales fuentes desbalanceadas emitirán un nivel suficiente para accionar el amplificador a la potencia máxima. Cuando se utilizan ambas entradas balanceadas y desbalanceadas simultáneamente, la última tendrá una reducción de -30dB, por lo que se da prioridad a las fuentes balanceadas.

Enrutamiento E/S - modelos 2 canales

Todos los modelos de 2 canales tienen dos entradas mixtas desbalanceadas (etiquetadas 1 y 2) y dos entradas balanceadas (etiquetadas 3 y 4), lo que significa que se pueden usar fuentes balanceadas y desbalanceadas.

Enrutamiento E/S - Dante/AES67 (modelos AD)

En los modelos AD, están disponibles cuatro entradas y salidas Dante/AES67. Para estos modelos, la estrategia de selección de fuente está habilitada por defecto, con las entradas Dante/AES67 que tienen prioridad superior respecto de las entradas analógicas correspondientes cuando una señal audio procede de ambos tipos de fuente simultáneamente. La selección de la fuente y los ajustes de prioridad pueden ser configurados desde ArmoniaPlus o de una API de terceros.

Funcionamiento VCA vía GPIs

En los modelos de 4 canales, los cuatro terminales GPI ubicados en el panel trasero del amplificador puede ser conectados a potenciómetros pasivos de 10kOhm para atenuar los niveles de salida. Cada conector GPI (I1, I2, I3, y I4) se corresponde a un canal de salida (1, 2, 3, y 4 respectivamente).

En los modelos de 2 canales, los niveles de salida de los canales 1 y 2 pueden atenuarse a través de conectores I1 y I2 vía GPI respectivamente.

Instruções importantes de segurança

 O TRIÂNGULO COM O RELÂMPAGO É UTILIZADO PARA ALERTAR O USUÁRIO SOBRE O RISCO DE CHOQUE ELÉTRICO.

 O TRIÂNGULO COM O PONTO DE EXCLAMAÇÃO É UTILIZADO PARA ALERTAR O USUÁRIO SOBRE INSTRUÇÕES IMPORTANTES DE OPERAÇÃO OU MANUTENÇÃO.

 A MARCAÇÃO CE INDICA A CONFORMIDADE DO PRODUTO COM TODAS AS DIRETIVAS EUROPEIAS APLICÁVEIS.

 SÍMBOLO DE CONEXÃO DE ATERRAMENTO.

 SÍMBOLO QUE INDICA QUE O EQUIPAMENTO SE DESTINA APENAS AO USO EM AMBIENTES FECHADOS.


 SÍMBOLO DE CONFORMIDADE COM A DIRETIVA 2012/19/CE DO PARLAMENTO EUROPEU SOBRE OS RESÍDUOS DE EQUIPAMENTOS ELÉTRICOS E ELETRÔNICOS (REEE).


 -10°C A +45°C DERATING ACIMA DOS 35°C.

 10% A 90% DE UMIDADE (SEM CONDENSAÇÃO).

 NÃO UTILIZE A UNIDADE A MAIS DE 2.000 METROS DE ALTITUDE.

 NÃO USE A UNIDADE EM CLIMA TROPICAL.

 ADVERTÊNCIA: PARA REDUZIR O RISCO DE CHOQUES ELÉTRICOS, NÃO TENHA ABRIR NENHUMA PARTE DA UNIDADE. NENHUMA PEÇA É REPARÁVEL PELO USUÁRIO NO INTERIOR. PARA A MANUTENÇÃO, ENCAMINHE PARA PROFISSIONAIS DE ASSISTÊNCIA QUALIFICADOS.


 A CONEXÃO À REDE ELÉTRICA SÓ PODE SER REALIZADA POR UM ELETROTÉCNICO QUALIFICADO, DE ACORDO COM OS REQUISITOS NACIONAIS DOS PAÍSES ONDE A UNIDADE É VENDIDA.

 NÃO USE ESTE AMPLIFICADOR SE O CABO DE ALIMENTAÇÃO ELÉTRICA ESTIVER GASTO OU QUEBRADO.

 PARA EVITAR CHOQUE ELÉTRICO, NÃO TOQUE EM NENHUMA FIAÇÃO EXPOSTA DO ALTO-FALANTE ENQUANTO O AMPLIFICADOR ESTIVER EM OPERAÇÃO.


 NÃO DERRAME ÁGUA OU OUTROS LÍQUIDOS DENTRO OU SOBRE O AMPLIFICADOR.

 NENHUMA FONTE DE CHAMAS LIVRES, COMO VELAS ACESAS, DEVE SER POSICIONADA SOBRE O AMPLIFICADOR.

 ADVERTÊNCIA: PARA EVITAR LESÕES, ESTE APARELHO DEVE ESTAR FIRMEMENTE PRESO AO CHÃO/PAREDE DE ACORDO COM AS INSTRUÇÕES DE INSTALAÇÃO.


 ESTE DISPOSITIVO DEVE SER ALIMENTADO EXCLUSIVAMENTE POR TOMADAS ELÉTRICAS COM ATERRAMENTO EM REDES ELÉTRICAS EM CONFORMIDADE COM A NORMA IEC 364 OU SIMILAR.


 DESCONECTE A FONTE DE ENERGIA DE CA ANTES DE TENTAR LIMPAR QUALQUER PARTE DO AMPLIFICADOR.

 O INTERRUPTOR DEVE SUPORTAR 375 VA PARA CADA MEZZO, PORTANTO, COM UM MÁXIMO DE 3 MEZZO POR TOMADA A 115V 10A, OU UM MÁXIMO DE 6 MEZZO POR TOMADA A 230V 10A.

 É ALTAMENTE RECOMENDÁVEL DESLIGAR OS CONECTORES DE SAÍDA ANTES DE REALIZAR OS PROCEDIMENTOS DE AUTOVERIFICAÇÃO.

 OS SINAIS DE TESTE PODEM CAUSAR DANOS AO ALTO-FALANTE.

 OS TERMINAIS DE SAÍDA SÃO PERIGOSOS: A CONEXÃO DA FIAÇÃO A ESSES TERMINAIS EXIGE QUE A INSTALAÇÃO SEJA FEITA POR UM PROFISSIONAL INSTRUÍDO E COM O USO DE CABOS JÁ PRONTOS.

 CONECTE CORRETAMENTE O PLUGUE DA REDE DE CA À ENTRADA DO AMPLIFICADOR. ANTES DE LIGAR ESTE AMPLIFICADOR À ALIMENTAÇÃO, VERIFIQUE SE ESTÁ SENDO UTILIZADA A TENSÃO NOMINAL CORRETA.

 VERIFIQUE SE SUA CONEXÃO À REDE ELÉTRICA É CAPAZ DE SATISFAZER A POTÊNCIA NOMINAL DO DISPOSITIVO.

 TOME O CUIDADO DE PRENDER O TERMINAL DE SAÍDA ANTES DE LIGAR O DISPOSITIVO.



CUIDADO

RISCO DE CHOQUE ELÉTRICO - NÃO ABRA



Esta unidade foi projetada e fabricada para garantir a sua segurança pessoal. No entanto, o USO INCORRETO PODE RESULTAR EM POTENCIAIS CHOQUES ELÉTRICOS OU RISCOS DE INCÊNDIO.

Para não invalidar as medidas de proteção incorporadas neste produto, obedeça às seguintes regras básicas para a sua instalação, uso e manutenção. Antes do uso, leia com atenção estas “Medidas de proteção importantes”.

- Leia estas instruções.
- Guarde essas instruções.
- Obedeça a todas as advertências.
- Siga todas as instruções.
- Não use este equipamento perto da água.
- Limpe apenas com um pano seco.
- Não bloqueie nenhuma abertura de ventilação. Faça a instalação de acordo com as instruções do fabricante.
- Não instale perto de fontes de calor, como radiadores, aquecedores, fornos ou outros aparelhos que produzam calor.
- Não invalide o plugue polarizado ou com aterramento de proteção. Um plugue polarizado tem duas lâminas, com uma mais larga do que a outra. Um plugue com aterramento tem duas lâminas e um terceiro pino para aterramento. A lâmina mais larga ou o terceiro pino são fornecidos para a sua segurança. Se o plugue fornecido não corresponder à sua tomada, consulte um electricista para a substituição da tomada obsoleta.
- Proteja o cabo de alimentação para que não seja pisado ou pressionado, em especial nos plugues, nas tomadas elétricas e no ponto onde ele sai do aparelho.
- Use apenas anexos/acessórios especificados pelo fabricante.
- Use apenas com o carrinho, suporte, tripé, braçadeira ou mesa especificados pelo fabricante ou vendidos com o aparelho. Quando for utilizado um carrinho, tenha cuidado ao movimentar o conjunto carrinho/aparelho para evitar lesões por capotamento.
- Desconecte este aparelho durante tempestades com relâmpagos ou quando não for utilizado por períodos longos de tempo.
- Para todas as operações de manutenção, encaminhe a profissionais de assistência qualificadas. É necessária assistência quando o aparelho tiver sido danificado de qualquer modo, por ex., se o plugue ou o cabo de alimentação estiver danificado, se algum líquido tiver sido derramado ou se algum objeto tiver caído no aparelho, se ele tiver sido exposto a chuva ou umidade, não estiver operando normalmente ou tiver sido derrubado.
- O aparelho deve ser conectado a uma tomada da REDE ELÉTRICA com uma conexão de aterramento de proteção
- Quando for utilizado o plugue de REDE ELÉTRICA ou um acoplador adequado como dispositivo de desconexão, o dispositivo de desconexão deve permanecer prontamente acionável.



O FABRICANTE NÃO PODE SER RESPONSABILIZADO POR DANOS CAUSADOS A PESSOAS, PROPRIEDADES OU DADOS DEVIDO A UMA CONEXÃO DE ATERRAMENTO IMPRÓPRIA OU AUSENTE.

ENTRE EM CONTATO COM O CENTRO DE ASSISTÊNCIA AUTORIZADO PARA A MANUTENÇÃO ORDINÁRIA E EXTRAORDINÁRIA.

É ABSOLUTAMENTE NECESSÁRIO VERIFICAR ESTES REQUISITOS FUNDAMENTAIS DE SEGURANÇA E, EM CASO DE DÚVIDA, PEDIR UMA VERIFICAÇÃO ACURADA POR UM PROFISSIONAL QUALIFICADO.

Diretiva REEE

Se tiver chegado o momento de jogar fora o seu produto, recicle todos os componentes que for possível.



Este símbolo indica que, quando o usuário final desejar descartar este produto, ele deve ser enviado a instalações de coleta seletiva para a recuperação e a reciclagem. Separando este produto do restante do lixo doméstico, o volume do lixo enviado aos incineradores ou aterros sanitários se reduz e os recursos naturais serão, portanto, conservados.

A Diretiva sobre os Resíduos de Equipamentos Elétricos e Eletrônicos (Diretiva REEE) tem como objetivo minimizar o impacto dos produtos elétricos e eletrônicos sobre o meio ambiente. A Powersoft S.p.A. está em conformidade com a Diretiva 2012/19/UE do Parlamento Europeu sobre os resíduos elétricos e financia o custo de tratamento e recuperação dos equipamentos eletrônicos (REEE) para reduzir a quantidade de REEE descartada em aterros sanitários.

Todos os nossos produtos são marcados com o símbolo REEE, o que indica que este produto NÃO deve ser descartado com o lixo comum. Ao contrário, é responsabilidade do usuário descartar seus resíduos de equipamentos elétricos e eletrônicos entregando-os a um reprocessador aprovado ou devolvendo-os à Powersoft S.p.A. para o reprocessamento. Para obter mais informações sobre para onde você pode enviar seus resíduos de equipamentos para a reciclagem, entre em contato com a Powersoft S.p.A. ou com um dos seus distribuidores locais.

Declaração de Conformidade CE

Fabricante:
Powersoft S.p.A.
via E. Conti 5
50018 Scandicci (Fi)
Itália



Declaramos sob nossa responsabilidade exclusiva que os produtos:

Nomes dos modelos:

MEZZO 322 A
MEZZO 324 A
MEZZO 602 A
MEZZO 604 A
MEZZO 322 AD
MEZZO 324 AD
MEZZO 602 AD
MEZZO 604 AD

Uso previsto: Amplificador de áudio profissional

Estão em conformidade com as disposições das seguintes Diretivas CE, incluindo todas as suas emendas, e com a legislação nacional que implementa essas diretivas:

2014/35/EU	Diretiva Baixa Voltagem
2014/30/EU	Diretiva Compatibilidade Eletromagnética
2011/65/EU	Diretiva RoHS

São aplicadas as seguintes normas harmonizadas:

EN 55032: 2012
EN 55035: 2017
EN 60065: 2014 /AC: 2016

Scandicci,
Setembro de 2019

Luca Lastrucci
Diretor Geral

Somente para dúvidas sobre conformidade:
compliance@powersoft.it

Operações preliminares

Lista de embalagem

A caixa contém os seguintes componentes:

- 1 amplificador Mezzo
- Placa de terminais
- 2 suportes A
- 2 suportes B
- 2 parafusos (para prender os suportes)
- Cabo de eletricidade da rede
- 1 chave T8 em L
- 1 suporte de retenção do plugue
- 1 molde para montagem em parede

Localização

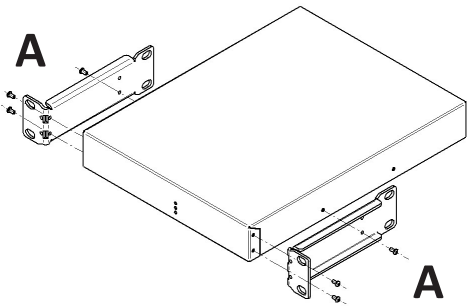
Instale seu amplificador em um local que permita a circulação de ar.

O amplificador vem com acessórios de montagem para as seguintes opções de montagem:

Em prateleira – Os pés de borracha permitem montar o amplificador em qualquer superfície plana.

Montagem personalizada – É possível personalizar elementos de fixação para postes e outras aplicações utilizando parafusos que se encaixem nos furos rosqueados do amplificador. Esses parafusos não devem ter mais de 8 mm de comprimento. O modo mais seguro de evitar erros é utilizar os parafusos fornecidos.

Montagem simples em rack de 19" – Usando os 2 “suportes A”, é possível montar um único amplificador em um rack de 19”.

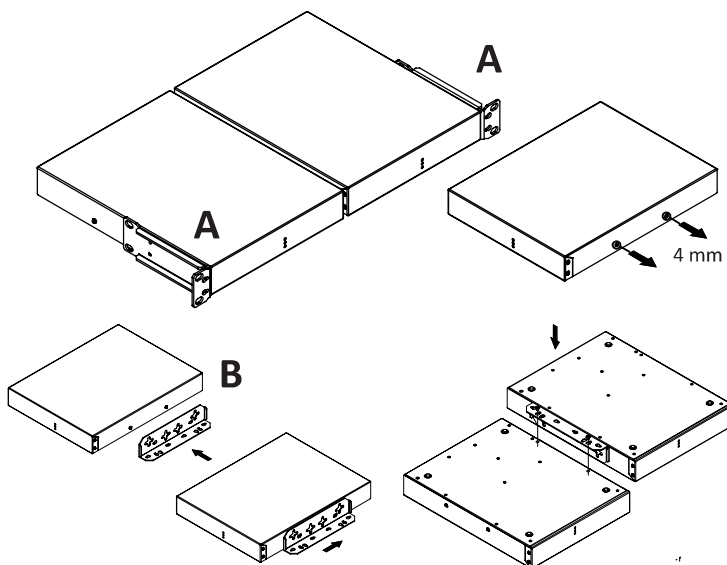


Montagem paralela em rack de 19" – Usado 1 “suporte B”, é possível montar dois Mezzo lado a lado e, em seguida, montá-los utilizando os 2 “suportes A” em 1 RU de um rack de 19”.

Solte os parafusos indicados no primeiro Mezzo sem removê-los completamente, coloque o “suporte B” no local correto encaixando os parafusos nos furos e fixe os parafusos, evitando apertar em excesso.

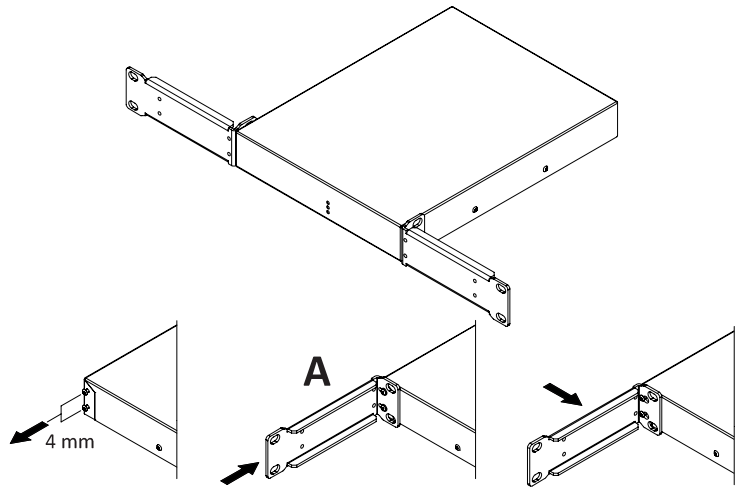
Vire ambos os Mezzo de cabeça para baixo, remova os parafusos ilustrados da parte inferior do segundo Mezzo, sobreponha os furos do “suporte B” e os furos para parafusos resultantes e reaperte os parafusos originais, evitando apertar em excesso.

Aplice 2 “suportes A” removendo os parafusos de cada lado, sobrepondo os furos para parafusos correspondentes e os furos do suporte e reapertando os parafusos originais, sem apertar em excesso.

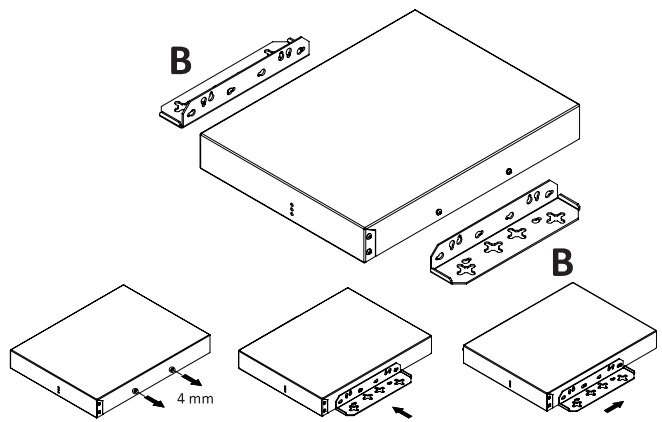


Montagem simples em meio rack – Usando os 2 “suportes A”, é possível montar um único amplificador em um rack de meia largura.

Solte os parafusos indicados (2 de cada lado) sem removê-los completamente, coloque 2 “suportes A” (um de cada lado) no local correto encaixando os parafusos nos furos e fixe os parafusos, evitando apertar em excesso.

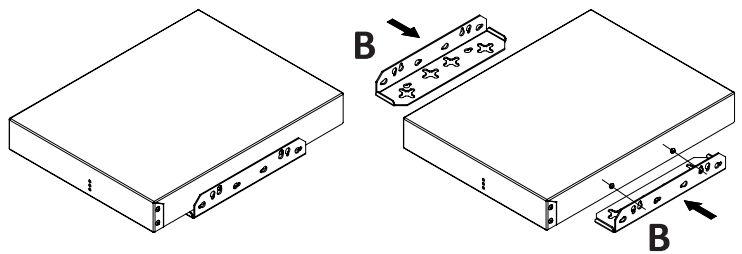


Montagem em superfície – Usando 2 “suportes B”, é possível montar um amplificador verticalmente em uma parede ou de cabeça para baixo sob uma mesa ou no teto. Neste último caso, basta virar os suportes de ponta-cabeça.



Montagem em superfície (suportes ocultos) – Usando 2 “suportes B”, é possível montar um amplificador conforme é ilustrado no caso anterior, mas escondendo os suportes sob o Mezzo.

Use o molde de perfuração (incluso na caixa) para montar pelo menos 2 parafusos na parede, prenda os suportes no amplificador e, em seguida, deslize-o nos parafusos na parede.



Resfriamento

Os modelos de 600 W implementam um sistema de resfriamento por ar forçado com controle de temperatura. O ar entra pela frente e sai pela traseira do amplificador. O ventilador está disponível em 3 modelos:

STILL - se a temperatura do espaço ao redor do amplificador for $\leq 35^\circ$ e a potência média de saída for ≤ 1 W por canal.

WHISPER - se a saída média for ≤ 4 W por canal. Neste modo, o ruído do ventilador a 1 m é ≤ 30 dBA.

REGULATED - O Mezzo adapta a velocidade do ventilador para se manter resfriado. Neste modo, o ruído do ventilador a 1 m é ≤ 45 dBA.

Na rara eventualidade de superaquecimento, o amplificador silencia todos os canais e liga os ventiladores para atingir uma temperatura segura e

Configuração e operação

Estado de energia

Este amplificador não dispõe de um interruptor de alimentação. Ele liga automaticamente quando a alimentação CA é conectada e entra em modo standby quando não há sinal por 25 minutos.

Quando for aplicado um sinal de entrada acima de -60dB com relação ao nível necessário para a potência total, o amplificador se reativará em 2 segundos.

Configuração de matriz e DPS

O amplificador inclui uma ampla gama de funções que podem ser configuradas de dois modos.

- Automático - sem o uso de qualquer aplicativo ou software.
- Avançado - é utilizado o software para definir mais parâmetros e otimizar a funcionalidade.

Configuração automática

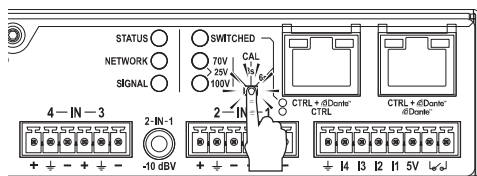
Esta é uma maneira muito fácil de configurar o amplificador e que não requer nenhum software. É ideal se tudo o que você deseja é um amplificador com uma resposta em frequência plana que possa ser monitorado e, se se tratar de um modelo AD, que possa receber o áudio encaminhado para ele com um software de terceiros.

A configuração automática definirá limitadores para que um canal atinja a capacidade máxima da fonte de alimentação, com uma entrada analógica balanceada de 4 dBu (ou -6 dBFS no caso do Dante/AES67). Isso significa que ele também ajusta o ganho de modo que o amplificador tenha o ganho necessário para todos os canais. O modo de “atribuir potência” é, então, realizado simplesmente ajustando-se o nível do conteúdo para os diferentes canais.

Isso também define automaticamente os filtros passa-alto. A frequência de corte será selecionada de modo que as frequências abaixo da frequência de ressonância, assim como as frequências que saturam os transformadores dos alto-falantes Hi-Z, sejam atenuadas.

Obs.! A configuração automática só é possível e só pode ser repetida quando nenhuma definição e nenhum parâmetro do amplificador tiverem sido manualmente alterados. Em caso de alterações manuais, ainda será possível acionar a configuração automática, mas somente para fins de verificação e monitoramento. Os novos valores medidos não serão salvos até as definições e os parâmetros serem recolocados nos seus valores iniciais ou até ser feito um restauro para os valores de fábrica. Para restaurar o modo padrão de fábrica do Mezzo, comece desconectando o cabo de eletricidade. Pressione e segure o botão no painel traseiro do amplificador e reconecte o cabo de eletricidade, ainda pressionando o botão. Espere que os LEDs de estado do amplificador pisquem em vermelho três vezes e solte.

Etapa 1 - Selecione a tensão máxima

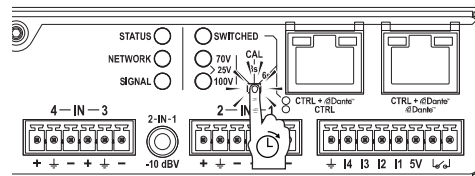


Nunca serão atribuídos a qualquer canal limitadores que excedam a potência da fonte de alimentação. A razão principal para se selecionar a tensão máxima é assegurar que os alto-falantes de 25/70/100 V recebam a potência selecionada na sua tomada de derivação, caso um dos canais esteja utilizando menos potência do que pode oferecer.

Se a aplicação for de 25 V ou 70 V, há o risco de que os limitadores sejam configurados altos demais, caso a carga conectada não exija potência total. A tensão máxima pode ser selecionada pressionando-se brevemente o botão do painel traseiro do amplificador. A tensão selecionada será exibida da seguinte maneira:

LED de 70 V	LED de 100 V	Pico de tensão máx	RMS de tensão máx	Descrição
Apagado	Aceso	141,4 V _{peak}	100 V _{rms}	Também funciona em configurações mistas de 100 V e baixa impedância
Aceso	Apagado	100 V _{peak}	70,7 V _{rms}	Também funciona em configurações mistas de 70 V e baixa impedância
Aceso	Aceso	35,4 V _{peak}	25 V _{rms}	Também funciona em configurações mistas de 70 V e baixa impedância
Apagado	Apagado	Configurações personalizadas		Não pode ser selecionado no painel traseiro. Os limitadores foram definidos manualmente no software e não podem ser alterados sem um restauro do padrão de fábrica

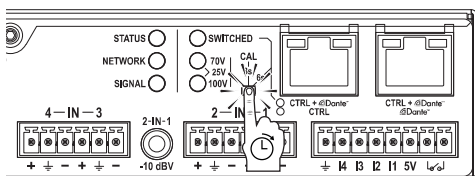
Observe que, para cargas de baixa impedância, não é necessário selecionar



Pressione o botão até que o LED “Signal” (Sinal) fique roxo e, em seguida, solte-o em 2 segundos. Isso iniciará uma medição automática de impedância para cada canal. Isso será feito em um nível alto o suficiente para medir adequadamente um alto-falante de 8 ohm. Se a impedância for mais alta, a medição poderá ser considerada ruidosa demais e, então, será automaticamente repetida. Observe que ela pode gerar um SPL acima de 95 dB, caso os alto-falantes sejam sensíveis o suficiente.

A medição de impedância definirá automaticamente os limites de advertência para monitorar as alterações. Ela também definirá os limitadores, para que o canal possa reproduzir o mais alto que o design e o modelo permitirem sem distorções.

Etapa 3 - Selecione o modo de operação Ethernet (modelos AD)



Pressione o botão até que o LED “Network” (Rede) fique roxo e, em seguida, solte-o dentro de 2 segundos. Isso restaurará o amplificador para auto-IP, alternará para o modo Ethernet e atualizará o indicador “Switched” (Comutado):

- Apagado: o interruptor Ethernet interno está desativado => as duas portas não estão conectadas e a porta da direita está, então, internamente atribuída para o Dante/AES67. A porta da esquerda tem apenas a função de controle/monitoramento do DSP do amplificador.
- Aceso: este é o “modo comutado” padrão. O interruptor Ethernet interno está ativado => as duas portas estão conectadas e ambas funcionarão para o Dante/AES67 e para o controle/monitoramento do DSP do amplificador. Isso significa que só é necessário um cabo Ethernet para o controle e o áudio digital. Isso também quer dizer que o produto pode ser inserido em uma ligação em cascata com outros produtos Gigabit Ethernet, desde que haja largura de banda suficiente.

Etapa 4 - Roteamento e controle por meio de GPI

I/O Roteamento - Modelos com 4 canais

Todos os modelos com 4 canais permitem um roteamento analógico direto de 4-in/4-out, nos quais as entradas analógicas etiquetadas como 1 e 2 são a somatória das entradas balanceadas e não balanceadas. Ao utilizar apenas entradas não balanceadas, elas terão um boost de 12dB, de modo que as fontes normais não balanceadas oferecerão um nível suficiente para levar o amplificador à potência total. Ao utilizar tanto entradas balanceadas quanto não balanceadas simultaneamente, estas últimas terão uma redução adicional de -30dB, de modo que seja dada prioridade às fontes balanceadas.

I/O Roteamento - Modelos com 2 canais

Todos os modelos com 2 canais dispõem de duas entradas não balanceadas mistas (etiquetadas como 1 e 2) e duas entradas balanceadas (etiquetadas como 3 e 4), o que significa que podem ser utilizadas fontes balanceadas e não balanceadas.

I/O Roteamento - Dante/AES67 (Modelos AD)

Em modelos AD, estão disponíveis outras quatro entradas e saídas Dante/AES67. Para esses modelos, a estratégia de seleção de fonte é habilitada por padrão, sendo que as entradas do Dante/AES67 têm uma maior prioridade com relação às entradas analógicas correspondentes quando o sinal de áudio vem simultaneamente de ambos os tipos de fonte. A seleção de fonte e as definições de prioridade podem ser configuradas no ArmoniaPlus ou em um API de terceiros.

Operação de VCA por meio de GPIs

Em modelos com 4 canais, os quatro terminais GPI localizados no painel traseiro do amplificador podem ser conectados a potenciômetros passivos de 10kOhm, para atenuar os níveis de saída. Cada conector GPI (I1, I2, I3 e I4) corresponde a um canal de saída (1, 2, 3 e 4, respectivamente).

Em modelos de 2 canais, os níveis de saída dos canais 1 e 2 podem ser



تم تصميم هذه الوحدة هندسيًا وتصنيعيًا لضمان سلامتك الشخصية. ولكن الاستخدام غير الصحيح يمكن أن يؤدي إلى صدمة كهربائية محتملة أو خطر الحريق.

من أجل عدم إبطال الضمانات المدمجة في هذا المنتج، يجب مراعاة القواعد الأساسية التالية عند تركيبه واستخدامه وصيانته. يرجى قراءة هذه "الضمانات المهمة" بعناية قبل الاستخدام.

- قم بقراءة هذه التعليمات.
- احتفظ بهذه التعليمات.
- انتبه لجميع التحذيرات.
- اتبع جميع التعليمات.
- لا تستخدم هذا الجهاز بالقرب من الماء.
- قم بتنظيف الجهاز بقطعة قماش جافة فقط.
- لا تسد أي من فتحات التهوية. قم بتركيب الجهاز وفقًا لتعليمات الشركة المصنعة.
- لا تقم بتركيب الجهاز بالقرب من أي مصادر حرارة مثل المشعات/شبكات تبريد الهواء، أو أجهزة تسجيل الحرارة أو المواقد أو أي جهاز آخر ينتج حرارة.
- لا تعيق هدف السلامة للمقيس المستقطب أو المؤرض. يحتوي القابس المستقطب على شفرين أحدهما أكبر من الآخر. يحتوي قابس التأسيس على شريحتين وثقب أرضي ثالث. يتم توفير الشفرة العريضة أو الشق الثالث من أجل سلامتك. إذا كان القابس المزود لا يتناسب مع مأخذ التيار الكهربائي الخاص بك، استشر كهربائيًا لاستبدال المخرج القديم.
- قم بحماية سلك الكهرباء من مناطق السير أو التمزق خاصة عند المقابس ومجري الراحة والنقطة التي تخرج منها الأسلاك من الجهاز.
- قم باستخدام المرفقات والملحقات المحددة من قبل الشركة المصنعة فقط.
- استخدم الجهاز مع العربة أو الحامل أو الحامل الثلاثي أو الكتيبة أو الطاولة المخصصة من قبل الشركة المصنعة أو التي يتم بيعها مع الجهاز. عند استخدام عربة، يجب توخي الحذر عند نقل تركيبة العربة/الجهاز لتجنب الإصابة من التعثر.
- افصل هذا الجهاز أثناء العواصف الرعدية أو عند عدم استخدامه لفترات طويلة من الزمن.
- قم بإحالة جميع أعمال الصيانة إلى موظفي الخدمة والصيانة المؤهلين. تصبح الصيانة مطلوبة عند تعرض الجهاز للتلف بطريقة، مثل تلف سلك الكهرباء أو المقبس، أو تسرب السائل أو سقوط أجسام في الجهاز، أو تعرض الجهاز للمطر أو الرطوبة، أو أن لجهاز لا يعمل بشكل طبيعي وأنه سقط.
- يجب توصيل الجهاز بما أخذ توصيل كهرباء ذو اتصال تأريض وقاتي
- عند استخدام قابس كهرباء MAINS أو قارنات التوصيل المناسبة كجهاز قطع الاتصال، يظل جهاز الفصل قابلاً للتشغيل



تعليمات أمنية هامة

يتم استخدام المثلت مع صاعقة البرق الخفيف لتحذير المستخدم من خطر الصدمة الكهربائية.



يتم استغلال المثلت مع علامة التعجب في تنبيه المستخدم إلى تعليمات التشغيل أو الصيانة المهمة.



تشير علامة CE إلى امتثال المنتج لجميع التوجيهات الأوروبية السارية



رمز للتأريض/ الوصلة الأرضي.



رمز يشير إلى أن الجهاز للاستخدام الداخلي فقط.



رمز يتوافق مع التوجيه 2012/19/EC للبرلمان الأوروبي والخاص بنفايات المعدات الكهربائية والإلكترونية (WEEE).



10- درجة مئوية إلى + 45 درجة مئوية التخفيض فوق 35 درجة مئوية.



10% إلى 90% رطوبة (بدون تكثيف).



لا تستخدم الوحدة في ارتفاعات أكثر من 2000 م.



لا تستخدم الوحدة في البيئة الاستوائية.



تحذير: للحد من خطر الصدمة الكهربائية، لا تحاول فتح أي جزء من الوحدة. لا توجد أجزاء مفيدة للمستخدم في الداخل. قم بإحالة أعمال الصيانة إلى موظفي الخدمة المؤهلين.



يتم توصيل الوصلات بمصدر الطاقة من قبل فني كهرباء مؤهل فقط، وفقًا للمتطلبات الوطنية للدول حيث يتم بيع الوحدة.



لا تستخدم هذا المُضخَم إذا كانت أسلاك الطاقة الكهربائية مهترئة أو مقطوعة.



لتجنب الصدمات الكهربائية، لا تلمس أي أسلاك سماعات مكشوفة أثناء تعطل المُضخَم.



لا تسكب الماء أو أي سوائل أخرى في أو على المُضخَم.



لا ينبغي أن توضع أي مصادر لهب مكشوفة مثل الشموع المضاءة على هيكل المُضخَم.



تحذير لمنع الإصابة، يجب أن يكون هذا الجهاز مؤرض عن طريق توصيله بالأرضيات/الجدار وفقًا لتعليمات التثبيت.



يجب أن يتم توصيل كهرباء هذا الجهاز بشكل حصري من خلال مقابس الكهرباء المتصلة بشبكات كهربائية تتوافق مع المعيار القياسي IEC 364 أو القواعد المشابهة



قم بفصل مصدر التيار الرئيسي قبل محاولة تنظيف أي جزء من مُضخَم الصوت



يحتاج القاطع إلى دعم 375 فولت أمبير لكل مُضخَم MEZZO، لذا 3 مُضخَمات MEZZO على الأكثر لكل مخرج عند 115 فولت 10 أمبير، أو 6 مُضخَمات MEZZO لكل مخرج مع 230 فولت 10 أمبير



يوصي بشدة أن تقوم بفصل موصلات الإخراج قبل بدء إجراءات التحقق الذاتي



قد تسبب إشارات الاختبار تلقًا في سماعات المكبر.



محطات الإخراج خطيرة: يتطلب توصيل الأسلاك إلى هذه المحطات التثبيت بواسطة شخص مدرب، كما تتطلب استخدام مفاتيح جاهزة.



قم بتثبيت مصدر الكهرباء بشكل صحيح إلى مدخل/منفذ المُضخَم. قبل توصيل هذا المُضخَم بالكهرباء، تحقق من أن استخدام تصنيف الفولطية الصحيح.



تحقق من أن توصيلات الكهرباء قادرة على تغطية احتياجات تصنيفات الجهاز.



يجب الانتباه إلى قفل منفذ الإخراج قبل تشغيل الجهاز.



إعلان المطابقة مع معايير الاتحاد الأوروبي EC



الصانع:
Powersoft SpA
via E. Conti 5
50018 Scandicci (Fi)
Italy

نعلن مسؤوليتنا الكاملة عن المنتجات:
أسماء الطرز:

MEZZO 322 A
MEZZO 324 A
MEZZO 602 A
MEZZO 604 A
MEZZO 322 AD
MEZZO 324 AD
MEZZO 602 AD
MEZZO 604 AD

الاستخدام الذي صنع من أجله: مُضخم صوت احترافي

يتوافق مع أحكام توجيهات الاتحاد الأوروبي التالية، بما في ذلك جميع التعديلات، ومع

التشريعات الوطنية التي تطبق هذه التوجيهات:

توجيهات الجهد المنخفض	2014/35/EU
توجيه التوافق الكهرومغناطيسي	2014/30/EU
RoHS توجيه الحد من المواد الخطرة	2011/65/EU

تم تطبيق المعايير المنسقة التالية:

EN 55032: 2012

EN 55035: 2017

EN 60065: 2014 /AC: 2016

Luca Lastrucci
المدير العام

Scandicci
سبتمبر 2019

إذا كان الوقت قد حان للتخلص من المنتج، يرجى إعادة تدوير جميع المكونات الممكنة.

يشير هذا الرمز إلى أنه عندما يرغب المستخدم النهائي في التخلص من هذا المنتج، يجب إرساله إلى مرافق منفصلة للجمع والإصلاح وإعادة التدوير. بفصل هذا المنتج عن النفايات المنزلية الأخرى، سيتم تقليل حجم النفايات المرسلة إلى المحارق أو الملوثات الأرضية وبالتالي يتم الحفاظ على الموارد الطبيعية.



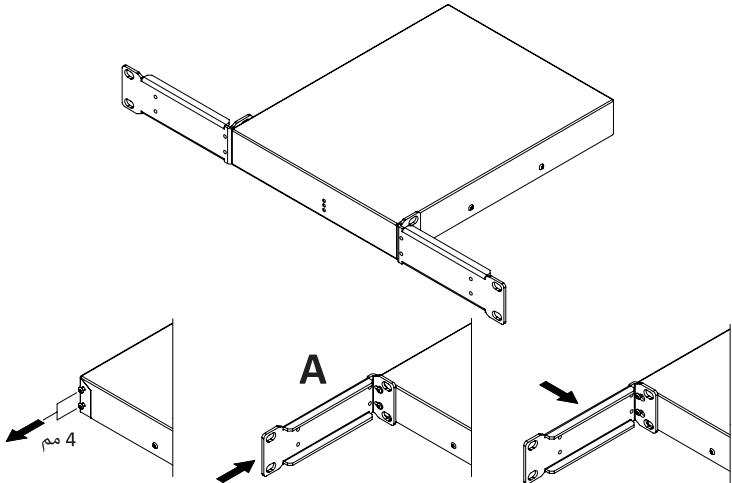
يهدف التوجيه الخاص بالنفايات الكهربائية والإلكترونية (WEEE Directive) إلى تقليل تأثير السلع الكهربائية والإلكترونية على البيئة. تلتزم Powersoft SpA بالتوجيه 2012/19/EU الصادر عن البرلمان الأوروبي بشأن النفايات الكهربائية بتمويل تكلفة معالجة واسترداد المعدات الإلكترونية (WEEE) من أجل تقليل كمية النفايات الكهربائية والإلكترونية التي يتم التخلص منها في موقع مكب النفايات.

يتم تمييز جميع منتجاتنا برمز WEEE؛ الذي يشير إلى أن هذا المنتج يجب ألا يتم التخلص منه مع النفايات الأخرى. وبدلاً من ذلك، تقع على عاتق المستخدم مسؤولية التخلص من نفايات الأجهزة الكهربائية والإلكترونية عن طريق تسليمها إلى معالج معتمد، أو إعادتها إلى شركة Powersoft SpA لإعادة المعالجة. لمزيد من المعلومات حول مكان إرسال نفاياتك لإعادة التدوير، يرجى الاتصال بـ Powersoft SpA أو أحد الموزعين المحليين.

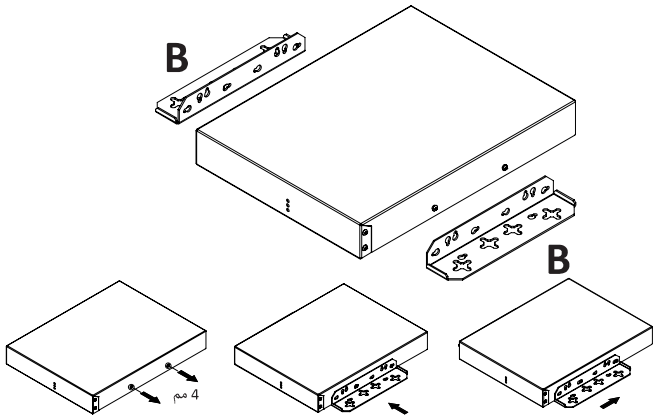
لطرح الأسئلة المتعلقة بالامتثال فقط: compliance@powersoft.it

تركيب نصف حامل أحادي - باستخدام 2 "كتيفة A"، يمكن تركيب مُضخم منفرد في حامل بنصف العرض.

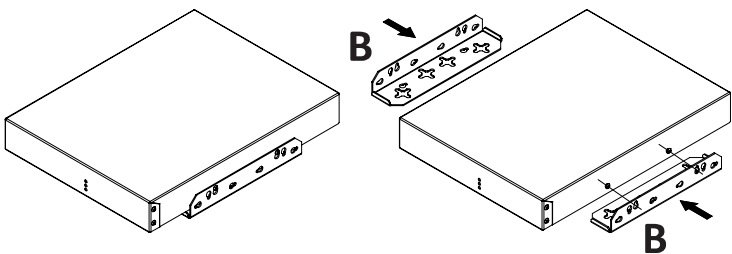
قم بفك البراغي المشار إليها (2 على كل جانب) دون إزالتها تمامًا، اضبط 2 "كتيفة A" (واحد على كل جانب) في مكانها عن طريق وضع البراغي في فتحات المفاتيح، واربط البراغي مع تجنب الربط الزائد.



التركيب على السطح - باستخدام 2 "كتيفة B"، يمكن تركيب مُضخم للصوت عمودياً على الحائط أو رأسياً على عقب أسفل الطاولة أو في السقف. وفي الحالة الأخيرة، فقط اقلب الكتائف رأساً على عقب.



تركيب على السطح (الكتائف المخفية) - باستخدام 2 "كتيفة B"، يمكن تركيب مُضخم Mezzoboard كما هو موضح في الحالة السابقة، مع إخفاء الكتائف تحت المُضخم. استخدم قالب الحفر (المضمّن في الصندوق) لتركيب مسامير على الأقل في الحائط، ووصل الكتائف بمُضخم الصوت، ثم أزلجه في براغي الحائط.



التبريد

تستخدم طُرز ال 600 واط نظام تبريد بالهواء المضغوط يتم التحكم فيه بدرجة الحرارة. يدخل الهواء من الأمام ويخرج من الجزء الخلفي لمُضخم الصوت. تمتلك المروحة 3 أوضاع:

STILL - إذا كانت درجة حرارة المكان المحيط بالمُضخم هي $\geq 35^\circ$ وكان متوسط مخرج الطاقة هو ≥ 12 وات لكل قناة.

WHISPER - إذا كان متوسط الخرج هو ≥ 4 وات لكل قناة. ضجيج المروحة عند 1 م هو ≥ 30 ديسيبل في هذا الوضع.

REGULATED - تهئ Mezzoboard سرعة المروحة لتظل باردة. ضجيج المروحة عند 1 م هو ≥ 45 ديسيبل في هذا الوضع.

وفي حالة السخونة الزائدة والتي تعتبر حدثاً نادراً، يقوم مُضخم الصوت بكتم جميع

العمليات الأولية

قائمة المجموعة/الحزمة

يحتوي الصندوق على ما يلي:

1 مُضخم من Mezzo

موصلات كتلة

2 كتيفة A

2 كتيفة B

2 مسمار (لربط الكتيفة)

كابل طاقة رئيسي

1 مفتاح T8 على شكل حرف L

1 كتيفة حفظ القابس

1 لوح طراز تركيب على الحائط

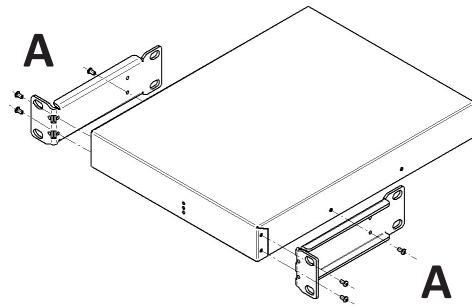
الموقع/المكان

ركب مُضخم الصوت الخاص بك في موقع يتيح تغير الهواء إلى حد ما. يأتي مُضخم الصوت مزوداً بملحقات التركيب لخيارات التثبيت التالية:

على الرف - تتيح لك الأقدام المطاطية ضبط مُضخم الصوت على أي سطح مستوي.

تركيب مخصص - من الممكن تصميم تجهيزات مخصصة للأعمدة والتطبيقات الأخرى، باستخدام براغي ثلاث الفتحات المسننة في مُضخم الصوت. يجب ألا يزيد طول هذه البراغي عن 8 مم. والطريقة الأكثر أماناً لتجنب الأخطاء هي استخدام البراغي المتوفرة مع المُضخم.

التركيب في حامل منفرد مقاس 19 بوصة - باستخدام ال 2 "كتيفة A"، يمكن تركيب مُضخم صوت منفرد على حامل مقاس 19 بوصة.

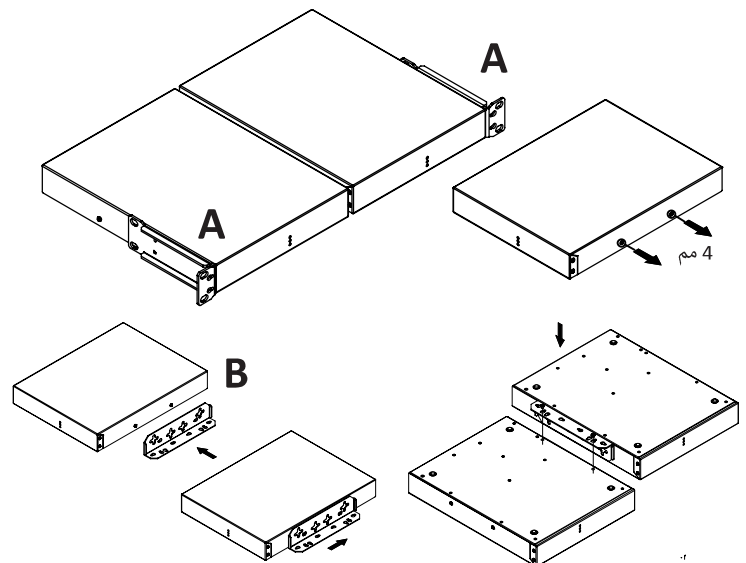


التركيب في حامل ترادفي مقاس 19 بوصة - باستخدام 1 "كتيفة B"، يمكن توصيل مُضخمين من Mezzo على التوالي سوياً ثم تركيبهما بالاستعانة بـ 2 "كتيفة A" في 1 RU (وحدة قياس للحامل تساوي 1,75 بوصة) في حامل 19 بوصة.

قم بفك البراغي الموضحة على مُضخم Mezzo الأول دون إزالتها تمامًا، واضبط "الكتيفة B" في مكانها عن طريق تثبيت البراغي في فتحات المفاتيح، واربط البراغي مع تجنب الربط الزائد.

اقلب كلا المُضخمين إلى الأسفل، وأزل البراغي المصوّرة من أسفل المُضخم الثاني، وقم بمطابقة الثقوب الموجودة في "الكتيفة B" مع فتحات البراغي الناتجة وأعد ربط البراغي مرة أخرى، مع تجنب الربط الزائد.

قم بوضع 2 "كتيفة A" عن طريق إزالة البراغي على كل جانب، ومطابقة الفتحات الناتجة مع الفتحات الموجودة على الحامل، وربط البراغي الأصلية بدون الربط المبالغ فيه.



الإعداد والتشغيل

حالة الطاقة

لا يحتوي مُضخم الصوت هذا على مفتاح للطاقة. سيعمل تلقائيًا عند توصيل طاقة التيار المتردد وسينتقل إلى وضع الاستعداد في حالة عدم وجود إشارة لمدة 25 دقيقة. عند تطبيق إشارة مدخل تزيد عن 60- ديسيبيل نسبة إلى المستوى المطلوب للحصول على الطاقة الكاملة، سيرجع مُضخم الصوت إلى العمل خلال ثانيتين.

DSP (معالجة رقمية للإشارة) وهيئة المصفوفة

يضم مُضخم الصوت مجموعة شاملة من الوظائف التي يمكن ضبطها بطريقتين.

- تلقائي-دون استخدام أي تطبيق أو برنامج.
- متقدم-استخدم البرنامج لتعيين المزيد من المعلومات وتحسين أداء الوظائف.

التهيئة التلقائية

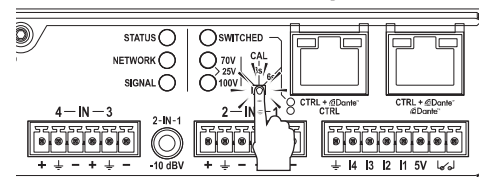
هذه طريقة سهلة للغاية لتهيئة مُضخم الصوت، ولا تتطلب أي برنامج. إنها مثالية إذا كان كل ما تريده هو مُضخم صوت ذو استجابة ترددية ثابتة يمكن مراقبته، وإذا كان طراز AD، فقم بتوجيه الصوت إليه باستخدام برنامج طرف ثالث.

سيحدد الإعداد التلقائي مقيدات بحيث تصل القناة إلى الحد الأقصى لسعة مزود الطاقة، مع مدخل تناظري متوازن 4 dBu (أو -6 dBFS لـ Dante/AES67). هذا يعني أنه يقوم أيضًا بضبط الزيادة بحيث يحصل المُضخم على الزيادة اللازمة لجميع القنوات. ثم يتم ببساطة "تعيين الطاقة" عن طريق ضبط مستوى المحتوى على القنوات المختلفة.

كما سيضبط أيضًا مرشحات إمرار الترددات العالية تلقائيًا. سيتم اختيار القطع بحيث يتم تخفيف الترددات التي تقل عن تردد الرنين، وكذلك الترددات التي تشع المحولات في مكبرات صوت Hi-Z.

ملاحظة! التهيئة التلقائية متاحة وقابلة للتكرار عندما لا يتم تغيير إعدادات مُضخم الصوت ومعلماته يدويًا فقط. في حالة التغييرات اليدوية، سيظل من الممكن تشغيل التهيئة التلقائية، ولكن لأغراض التحقق والمراقبة فقط. لن يتم حفظ القيم المقاسة الجديدة حتى تتم إعادة الإعدادات والمعلومات إلى قيمها الأولية أو القيام بإعادة ضبط المصنع. من أجل الرجوع للوضع الافتراضي لـ Mezzo، ابدأ بفصل كابل التيار الكهربائي. ثم اضغط مع الاستمرار على الزر على اللوحة الخلفية للمُضخم وأعد توصيل كابل التيار الكهربائي مع الاستمرار في الضغط على الزر. انتظر حتى تومض مصابيح LED الخاصة بحالة مُضخم الصوت باللون الأحمر لمدة ثلاث مرات ثم اتركها.

الخطوة 1 - حدد الجهد الأقصى



لن يتم تعيين مقيدات لأي قناة تتجاوز طاقة مزود الطاقة على الإطلاق. السبب الرئيسي لاختيار الحد الأقصى للجهد هو التأكد من أن المكبرات 100/70/25 فولط ستحصل على الطاقة المحددة عند النقر، إذا كانت القناة تستخدم طاقة أقل مما تستطيع توفيره.

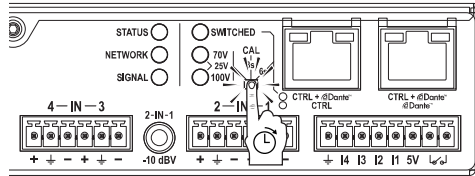
إذا كان التطبيق على 25 فولط أو 70 فولط، فهناك خطر أن تكون المقيدات عالية جدًا إذا لم يكن الحمل المتصل يتطلب طاقة كاملة. يمكن اختيار الحد الأقصى للجهد بالضغط على الزر على اللوحة الخلفية للمُضخم. سيتم عرض الجهد المحدد على النحو التالي:

يرجى ملاحظة أنه بالنسبة للأحمال منخفضة المقاومة، فليس من الضروري تحديد

الوصف	أقصى قيمة RMS الفلطية	أقصى ذروة الفلطية	70 فولط LED	100 فولط LED
يعمل أيضًا مع اختلاط 100 فولط وتكوينات مقاومة منخفضة	100 فولط rms	ذروة	141.4 فولط	غير مضيء مضيء
يعمل أيضًا مع اختلاط 70 فولط وتكوينات مقاومة منخفضة	70.7 فولط rms	ذروة	100 فولط	غير مضيء مضيء
يعمل أيضًا مع اختلاط 70 فولط وتكوينات مقاومة منخفضة	25 فولط rms	ذروة	35.4 فولط	مضيء مضيء
لا يمكن تحديد هذا من اللوحة الخلفية. تم ضبط المقيدات يدويًا في البرنامج ولا يمكن تغييرها دون إعادة ضبط المصنع			الإعدادات المخصصة	غير مضيء غير مضيء

الحد الأقصى للجهد.

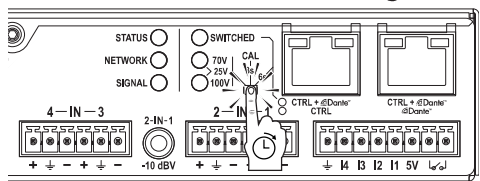
الخطوة 2 - المعايرة



اضغط على الزر حتى يتحول 'Signal' LED (ضوء الإشارة) إلى اللون الأرجواني، ثم اتركه في غضون ثانيتين. سيؤدي ذلك إلى إجراء قياس مقاومة تلقائي لكل قناة. سيتم ذلك على مستوى مرتفع بما يكفي لقياس مكبر صوت 8 أوم بشكل صحيح. إذا كانت المقاومة أعلى، فقد يُعتبر القياس صائبًا للغاية وسيعيد نفسه تلقائيًا. يرجى ملاحظة أنه قد يولد SPL يتجاوز 95 ديسيبيل إذا كانت مكبرات الصوت حساسة بما فيه الكفاية.

سيحدد قياس المقاومة حدود تحذير تلقائية لمراقبة التغييرات. كما سيقوم أيضًا بتعيين المقيدات بحيث يمكن للقناة أن تصدر صوتًا بقدر ما يسمح به التصميم والطراز، دون تشويه.

الخطوة 3 - حدد وضع التشغيل إيثرنت (طُرز AD)



اضغط على الزر حتى يتحول 'Network' LED (ضوء الشبكة) إلى اللون الأرجواني، ثم اتركه في غضون ثانيتين. سيؤدي ذلك إلى إعادة ضبط مُضخم الصوت إلى IP تلقائيًا وسيعمل على تبديل وضع إيثرنت وتحديث مؤشر "مُفعل".

- غير مضاء: مفتاح إيثرنت الداخلي مُعطل <= المنفذان غير متصلان سيتم عندها تعيين المنفذ الآمن داخليًا لـ Dante / AES67. المنفذ الأيسر للتحكم/مراقبة DSP المُضخم فقط.
- مضاء: هذا هو "الوضع المُشغل" الافتراضي. مفتاح إيثرنت الداخلي مُفعل <= المنفذان متصلان وسيعمل كلاهما على Dante / AES67 والتحكم/مراقبة DSP المُضخم. يعني هذا أنك تحتاج لكابل إيثرنت واحد فقط للتحكم والصوت الرقمي. ويعني أيضًا أنه يمكن إدراج المنتج في تسلسل زهري لمنتجات جيجابت إيثرنت الأخرى طالما كان هناك نطاق ترددي كافٍ.

الخطوة 4 - التوجيه والتحكم عبر GPI

توجيه I/O - طُرز ال 4 قناة

تتيح جميع الطرز ذات القنوات الأربع توجيهًا تناظريًا مباشرًا 4-مدخل/4-مخرج، حيث تمثل المدخلات التماثلية الموضحة 1 و 2 ملخصًا للمدخلات المتوازنة وغير المتوازنة. عند استخدام المدخلات غير المتوازنة فقط، ستحصل هذه على زيادة قدرها 12 ديسيبيل بحيث توفر المصادر العادية غير المتوازنة مستوى كافٍ لدفع مُضخم الصوت للعمل بطاقته الكاملة. عند استخدام كلا المدخلين المتوازيين وغير المتوازيين في وقت واحد، سيحصل الأخير على خفض إضافي بمقدار 30- ديسيبيل، لذلك يتم إعطاء الأولوية للمصادر المتوازنة.

توجيه I/O - طُرز ال 2 قناة

تمتلك جميع الطرز ثنائية القناة مدخلين مختلطين غير متوازيين (المسمين 1 و 2) ومدخلين متوازيين (المسمين 3 و 4)، ويعني هذا أنه يمكن استخدام مصادر متوازنة وغير متوازنة.

توجيه Dante/AES67 - I/O (طُرز AD)

في طُرز AD، تتوفر أربعة مدخلات ومخرجات Dante/AES67 إضافية. بالنسبة لهذه الطُرز، يتم تمكين استراتيجية تحديد المصدر افتراضيًا، مع إعطاء مدخلات Dante/AES67 أولوية أعلى على المدخلات التناظرية المقابلة عندما تأتي إشارة الصوت من كلا نوعي المصدر في وقت واحد. يمكن تهيئة إعدادات اختيار المصدر والأولوية من ArmoniaPlus أو API طرف ثالث.

عملية VCA عبر GPIs

في طُرز القنوات الأربع، يمكن توصيل نهايات GPI الطرفية الأربعة الموجودة على اللوحة الخلفية للمُضخم بمقاييس الجهد السليبي 10 كيلو أوم لتخفيف مستويات الخرج. يتوافق كل موصل (I1) GPI و (I2 و I3 و I4) مع قناة مخرج واحدة (1 و 2 و 3 و 4 على التوالي).

في الموديلات ثنائية القناة، يمكن تخفيف مستويات مخرج القناتين 1 و 2 عبر موصلات I1 GPI و I2، على التوالي.

安全に関する重要事項



稲妻のイラストが描かれている三角標識は、感電の危険があることをユーザーに知らせるために使用されています。



感嘆符のイラストが描かれている三角標識は、使用またはメンテナンスに関する重要な指示が書かれていることをユーザーに知らせるために使用されています。



CEマークは、本製品が関連するすべての欧州基準に適合していることを示すマークです。



アース接続マーク



屋内使用限定機器であることを示す記号です。



廃電気・電子製品 (WEEE) に関する欧州連合の指令2012/19/ECに準拠していることを示す記号です。



-10°C から +45°C 35°C を超えると出力が下がります



湿度は 10% から 90% まで (結露なし)。



このユニットを高度2000メートル以上の場所で使用しないでください。



このユニットを熱帯環境で使用しないでください。



警告: 感電の危険を避けるため、ユニットを開こうとしないでください。内部にユーザーが使用可能な部品はありません。資格を持ったスタッフサービスに依頼してください。



電源接続は、ユニットが販売されている国が定める電気機械技術者のみ行うことができます。



電源コードがすり減っていたり、破損していたりする場合、アンプは使用しないでください。



感電を防ぐために、アンプが動作している間は、スピーカーの露出配線に触れないでください。



水またはその他の液体をアンプ内またはアンプの上にこぼさないでください。



火のついたろうそくなど、炎をアンプの上に置かないでください。



けが予防のため、この装置を、設置手順に従ってフロア/壁にしっかりと取り付けてください。



このデバイスには、IEC 364またはそれに準ずる規則に準拠した電気回路ネットワークに接続されている主電源ソケット (要アース接続) から電源を供給する必要があります。



その場所に限らず、アンプのお手入れをする際は、必ず主電源を切断してください。



プレーカーは、Mezzo ごとに 375 VA をサポートする必要があるため、115V 10A 出力で Mezzo が最大 3 台、230V 10A 出力で Mezzo が最大 6 台となります。



セルフチェックを実行する前に、出力コネクタ接続を切り離すことを強くお勧めします。



テスト信号により、スピーカーの不具合が発生する可能性があります。



CLASS2
WIRING

出力端子は危険です。これらの端子への配線接続は、訓練を受けた担当者による設置と市販されている導線の使用が必要です。



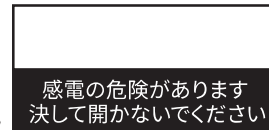
AC主電源プラグをパンプ差込口に正しく接続してください。アンプの電源を入れる前に、使用されている電圧が正しいか確認してください。



お使いの主電源がデバイスの定格電力を満たしているか確認してください。



デバイスの電源を入れる前に、出力端子をロックしてください。



このユニットは、お客様の安全を確保できるように設計・製造されています。しかしながら、誤った使用は、感電または火災の潜在的危険につながります。

この製品に装備されている安全対策を正しく使用するため、その設置と使用に関する以下の基本ルールを遵守する必要があります。使用前に、必ずこれらの「重要な安全対策」をお読みください。

- これらの指示をお読みください。
- これらの指示を守ってください。
- すべての警告に注意を払ってください。
- すべての指示に従ってください。
- 本機器を水の近くで使用しないでください。
- お手入れの際は必ず乾いた布を使用してください。
- 通気口を塞がないでください。メーカーの指示に従って設置してください。
- ラジエーター、ヒーター、ストーブなどの熱源の近くには設置しないでください。
- 有極プラグまたはアース付きプラグは安全を考慮したものとされています。破壊するような行為はしないでください。極性プラグには、2本のブレードがあり、一方が他方よりも幅広になっています。アース付きプラグは、2本のブレードの他に、3本目のアース芯がついています。幅広のブレードや3本目の芯は、安全のためのものです。これらのプラグがコンセントの差し込み口に合わない場合は、電気技術者に相談し、コンセントを交換してもらってください。
- 電源コード、プラグ、コンセント、機器から出ている部分が引っかかって抜けたり、挟まれたりしないように保護してください。
- アタッチメントや付属品は、必ずメーカー指定のものをご利用ください。
- カートやスタンド、三脚、ブラケット、テーブル等は、メーカー指定のもの、もしくはこの装置用に販売されているものを必ずご利用ください。カートを使って、装置を載せて動かす際は、つかけて怪我をしないよう注意してください。
- 雷を伴う嵐、または長期間使用しない場合は、プラグをコンセントから抜いてください。
- 整備の際は、資格のある整備担当者に必ずご相談ください。電源コードやプラグの損傷、液体や異物が装置内に入り込んだ場合、装置が雨や湿気に曝された場合、正常に作動しない場合、装置を落とした場合など、装置が何らかの状態で損傷した場合は、整備が必要です。
- 装置は、アース接続による保護がされているメインコンセントに接続してください。
- メインプラグまたは適切なカプラーを切断装置として使用する場合、これはすぐに作動できるような状態である必要があります。



WEEE指令

お使いの製品を廃棄する際は、可能な限り、すべての部品はリサイクルしてください。



この記号は、本製品をエンドユーザーが廃棄する際、回収およびリサイクルのため、個別の業者に回収してもらう必要があることを示しています。この製品を他の家庭ゴミから分別することで、焼却炉や埋立地に送られる廃棄物の量が削減と天然資源の節約に繋がります。

廃電気電子機器指令 (WEEE指令) は、電気・電子製品が環境におよぼす影響を最小限に抑えることを目的としています。Powersoft S.p.A.では、埋め立て処分場に処分される電気・電子製品廃棄物 (WEEE) の削減を目的とした、電子機器の処分および回収にかかる費用に関する欧州議会2012/19/EU指令を遵守しています。

当社のすべての製品にはWEEE記号が付けられており、他のゴミと一緒に処分することはできません。そのため、ユーザーは自らの責任で、認可を受けている電気・電子機器処分業者に依頼するか、Powersoft S.p.A.に返却してください。リサイクルのために廃棄機器をどこに送ればいいのかなどに関する詳細は、Powersoft S.p.A.または各地の販売代理店にお問い合わせください。

EC適合宣言書

メーカー名:
Powersoft S.p.A.
Via Enrico Conti, 5
50018 Scandicci (Fi)
Italy



は、当社の責任の下で、以下製品
モデル名:

MEZZO 322 A
MEZZO 324 A
MEZZO 602 A
MEZZO 604 A
MEZZO 322 AD
MEZZO 324 AD
MEZZO 602 AD
MEZZO 604 AD

使用目的: プロ向けオーディオアンプ

が、以下のEC指令(すべての改訂を含む)およびこれらの指令を実施する国内法令の条項に準拠していることをここに宣言します。

2014/35/EU 低電圧指令
2014/30/EU EMC指令
2011/65/EU RoHs指令

以下の整合規格が適用されます。

EN 55032:2012
EN 55035:2017
EN 60065:2014 /AC:2016

Scandicci市
2019年9月

Luca Lastrucci
取締役社長

コンプライアンスに関する問い合わせ先:
compliance@powersoft.it

はじめに

梱包内容

含まれている物は以下の通りです。

Mezzoアンプ 1台
端子盤
ブラケットA 2個
ブラケットB 2個
ねじ 2本 (ブラケット固定用)
メイン電源ケーブル
L字型 T8 キー 1本
プラグ固定用ブラケット 1個
壁取り付け用テンプレート 1個

設置

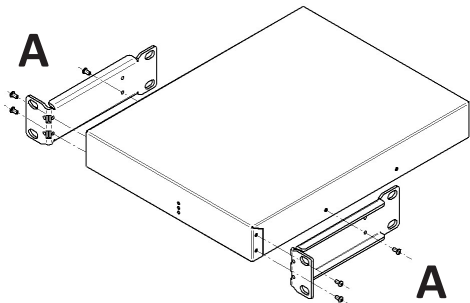
お買い上げいただいたアンプは、空気を入れ替えることのできる場所に設置してください。

このアンプには、次の取り付けを可能にする備品が付属されています。

- ゴム脚により、お買い上げいただいたアンプを希望する平らな面に設置することができます。

- アンプのねじ穴用の固定ねじを使うことで、ポールやその他の場所に固定するためのカスタムされた取り付けが可能です。使用可能なねじの長さは 8 mm までとなっています。ミスを避けるため、付属のねじを使用してください。

19" - ブラケット A を 2本使うことで、19" のラックにアンプを 1台、取り付けることができます。

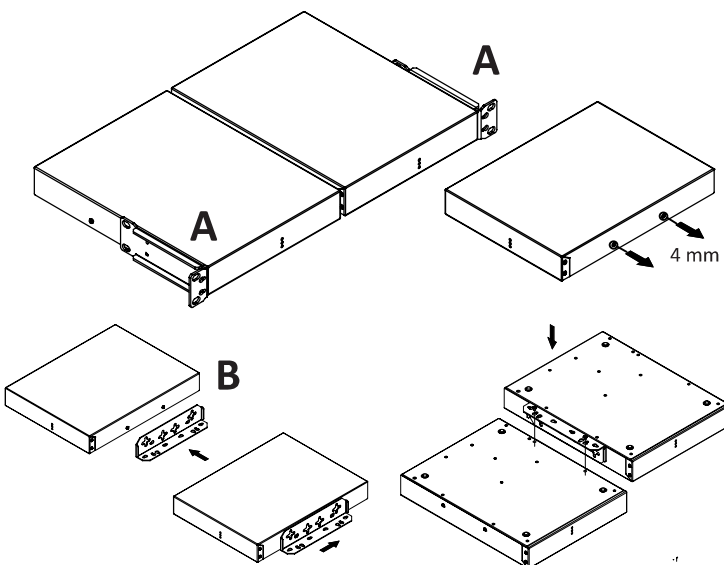


19" - ブラケット B を 1本使うことで、2台の Mezzo を並列に取り付けてから、ブラケット A を 2本使って、19" のラックに 1 RU で取り付けることができます。

1台目の Mezzo の指定のねじを完全に外さないように緩め、ねじを鍵穴に差し込んで、ブラケット B を指定の位置にセットしてから、締めすぎないように注意しながらねじを締めます。

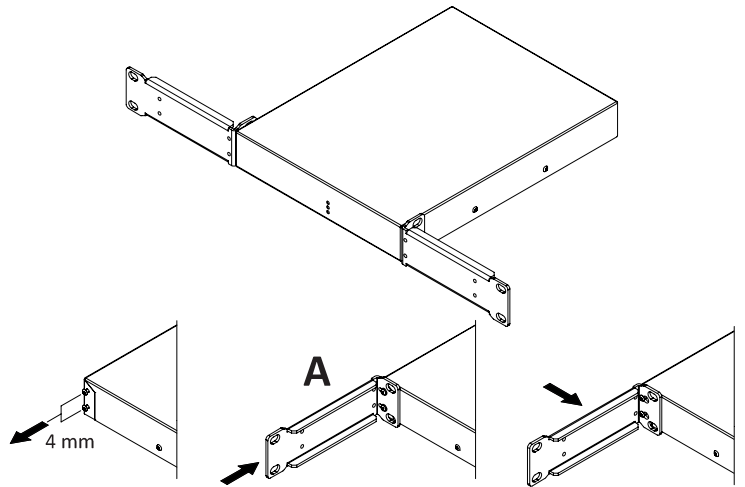
両方の Mezzo を反転させて、2台目の Mezzo の底から図が示すねじを取り外し、ブラケット B の穴を取り外したねじ穴に合わせて、締め過ぎに注意しながら、元のねじを戻して締めます。

2本のブラケット A を取り付けます。両サイドのねじを取り外し、このねじ穴をブラケットの穴に合わせて、締め過ぎに注意しながら、元のねじを戻して締めます。

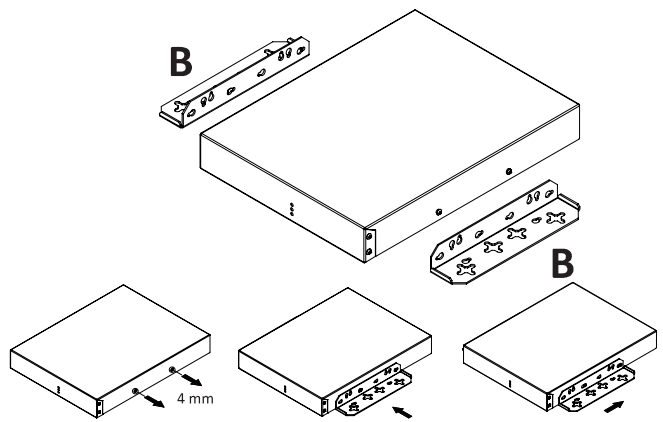


- ブラケット A を 2本使うことで、幅が半分のラックにアンプを取り付けることができます。

指定のねじ (両側の2本ずつ) を完全に外さないように緩め、ねじを鍵穴に差し込んで、2本のブラケット A (両側に1本ずつ) を指定の位置にセットしてから、締めすぎないように注意しながらねじを締めます。

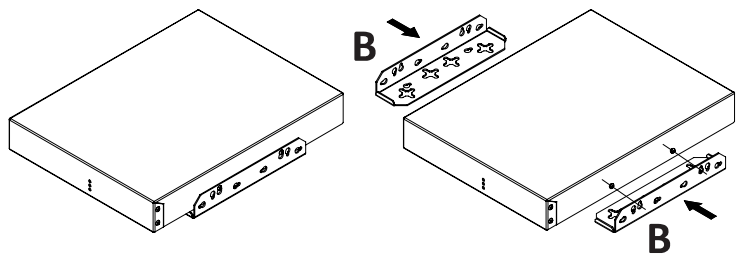


- ブラケット B を 2本使うことで、アンプを壁の上に垂直に固したり、テーブルの下や天井に逆さまにした取り付けたりすることができます。後者の場合は、ブラケットを裏返しにして使います。



() - ブラケット B を 2本使うことで、Mezzo の下にブラケットを隠した状態で、前述の例のようにアンプを取り付けることができます。

穴あけテンプレート (同梱) を使い、少なくとも 2本のねじを壁に取り付けて、ブラケットをアンプに取り付けてから壁のねじにスライドさせます。



冷却

600W モデルには、温度管理強制空冷システムが実装されています。空気は、前面から入り、アンプ背面から排気されます。ファンには、次の 3つのモードがあります。

STILL - アンプ周辺の温度が、 $\leq 35^{\circ}\text{C}$ で、平均出力がチャンネルあたり $\leq 1\text{W}$ の場合に適しています。

WHISPER - チャンネルあたりの平均出力が $\leq 4\text{W}$ の場合に適しています。この場合、ファンが発するノイズは、1m の地点で $\leq 30\text{dBA}$ です。

REGULATED - Mezzo がファンの速度を調整して、冷却状態をキープします。この場合、ファンが発するノイズは、1m の地点で $\leq 45\text{dBA}$ です。

極まれにオーバーヒートが発生した場合、アンプはすべてのチャンネルをミュートにして、ファンを作動させて安全な温度に達してから、再び動

セットアップと操作

電源

このアンプに電源スイッチはありません。AC 電源が接続されると自動的にオンになり、信号のない状態で 25 分間続くとスタンバイモードになります。

フルパワーに必要なレベルに対して -60dB を超える入力信号が適用されると、アンプは2秒以内に戻ります。

DSP とマトリックス設定

アンプには、2つの方法でセットアップできるさまざまな機能が付いています。

- オート-一切のアプリやソフトウェアを使用しません。
- アドバンス-複数のパラメータの設定にソフトウェアを使ったり、機能を最適化したりします。

自動設定

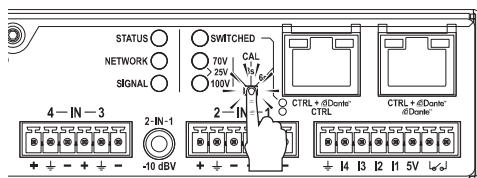
これは、ソフトウェアを必要としないアンプを設定する最も簡単な方法です。モニタリングできるフラットな周波数特性のアンプのみが必要な場合や ADモデルでサードパーティのソフトウェアを使ってルーティングした音を入力するのに適しています。

自動セットアップでは、4 dBu のバランスアナログ入力 (または Dante/AES67 の場合は -6 dBFS) で、チャンネルが電源の最大容量に達するようにリミッターを設定します。つまり、アンプがすべてのチャンネルに必要なゲインを持つようにゲインも調整することを意味します。「電力供給」方法は、各チャンネルにコンテンツのレベルを調整することで簡単に行えます。

さらにハイパスフィルタも自動で設定します。Hi-Z スピーカーのトランスを飽和させる周波数のように、周波数が共振周波数を減衰させるとオフになります。

注意!自動設定は、アンプの設定とパラメータが手動で変更されていない場合のみ使用でき、繰り返すことも可能です。手動で変更した場合でも、自動設定を起動させることは可能ですが、確認とモニタリングを目的とした場合に限られています。新しい測定値は、設定とパラメータが初期値に戻されるか、工場出荷時の状態にリセットされるまで保存されません。メインの電源ケーブルを抜くことで、Mezzo の工場デフォルトモードに戻すことができます。アンプの背面パネルにある押しボタンを押し続け、ボタンを押したまま電源ケーブルを再接続します。アンプの状態を示す LED が赤で3回点滅してから、ボタンを放します。

1 -



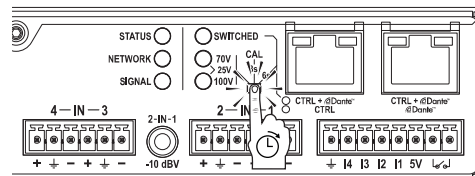
電源の電力を超えるリミッターがチャンネルに割り当てられることはありません。最大電圧を選択する主な理由は、チャンネルが提供できる電力よりも少ない電力を使用している場合に 25/70/100V スピーカーがタップで選択された電力を確実に取得するためです。

アプリケーションが 25V または 70V の場合、接続された負荷にフルパワーを必要としない時にリミッターが高くなりすぎる危険があります。最大電圧はアンプの背面パネルにあるボタンを短く押すことで選択することができます。選択された電圧は次のように表示されます。

低インピーダンスの場合は、最大電圧を選択する必要はありません。

70V LED	100V LED	最大ピーク電圧	最大 RMS 電圧	説明
消灯	点灯	141.4 V _{ピーク}	100 V _{rms}	100V と低インピーダンス設定を混合しても動作します
点灯	消灯	100 V _{ピーク}	70.7 V _{rms}	70V と低インピーダンス設定を混合しても動作します
点灯	点灯	35.4 V _{ピーク}	25 V _{rms}	70V と低インピーダンス設定を混合しても動作します
消灯	消灯	カスタム設定		これは背面パネルからは選択することはできません。リミッターはソフトウェアでの手動で設定されており、工場出荷設定にリセットしないと変更することはできません

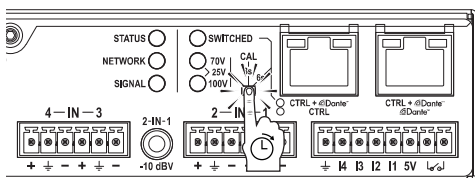
2 -



[Signal] の LED が紫に変わるまで押しボタンを押して、2秒以内に放します。これで、各チャンネルの自動インピーダンス測定が開始します。8 オームのスピーカーを正しく測定するのに十分なレベルで行われます。インピーダンスが高い場合、測定でノイズが多すぎるとみなされ、自動で繰り返されることがあります。スピーカーの感度が十分に高い場合 ha、95 dB を超える SPL が生成される可能性があります。インピーダンス測定は、変化をモニタリングするため、警告しきい値を自動設定します。さらに、チャンネルが設計やモデルが許容されるよりも大音量で、音が歪むこと再生できるように、リミッターを設定します。

3 -

(AD)



[Network] の LED が紫に変わるまで押しボタンを押して、2秒以内に放します。これで、アンプが自動 IP にリセットされ、イーサネットモードを切り替え、[Switched] インジケータが変更します。

- 消灯:内部イーサネットスイッチは無効です => 2つのポートは接続されておらず、右のポートは Dante/AES67 に内部割り当てされています。左のポートは、アンプのDSPのコントロール/モニタリング専用です。
- 点灯:これがデフォルトの[スイッチモード]です。内部イーサネットスイッチは有効です => 2つのポートが接続されていて、Dante/AES67 とアンプのDSPのコントロール/モニタリングの両方の働きをします。つまり、コントロールとデジタルオーディオに必要なイーサネットケーブルは 1 本のみで、十分な帯域幅がある限り、本製品を他のギガビット・イーサネット製品のデジチェーンに挿入することができます。

4 - GPI

I/O ルーティング - 4 チャンネルモデル

すべての 4 チャンネルモデルでは、4 イン/4 アウトアナログルーティングが可能で、1 および 2 のラベルが付けられたアナログ入力は、バランス入力とアンバランス入力の合計です。アンバランス入力のみを使用する時は、12dB のブーストになり、通常のアンバランスソースがアンプをフルパワーにするのに十分なレベルを提供します。バランス入力とアンバランス入力の両方を同時に使う場合、後者がさらに -30dB 低減することで、バランスの取れたソースが優先されます。

I/O ルーティング - 2 チャンネルモデル

すべての 2 チャンネルモデルでは、2 つのアンバランス入力 (ラベル 1 と 2) と 2 つのバランス入力 (ラベル 3 と 4) が混在しているため、バランスソースとアンバランスソースを使用できます。

I/O ルーティング - Dante/AES67 (AD モデル)

AD モデルでは、追加で 4 つの Dante/AES67 入力および出力が利用可能です。これらのモデルでは、ソース選択戦略がデフォルトで有効になっており、Dante/AES67 入力は、オーディオ信号が両方のソースタイプから同時に来る場合、対応するアナログ入力よりも優先されます。ソース選択と優先設定は、ArmoniaPlus またはサードパーティの API から可能です。

GPI を使った VCA 操作

4 チャンネルモデルでは、アンプの背面パネルにある 4 つの GPI 端子を 10k オームのパスシブポテンショメーターに接続して、出力レベルを減衰させることができます。各 GPI コネクタ (I1、I2、I3、I4) は、個別の出力チャンネル (それぞれ 1、2、3、4) に対応します。

2 チャンネルモデルでは、チャンネル 1 と 2 の出力レベルは、それぞれ GPI コネクタ I1 と I2 を介して減衰できます。

重要安全说明



该三角符号中间带一个闪电标志, 警告用户有电击风险。



该三角符号中间带一个感叹号, 用以通知用户重要的操作说明或维护说明。



该CE标志表明本产品符合所有适用的欧洲指令。



该符号表示接地连接。



该符号表示设备仅供室内使用。



该符号表示符合欧洲议会关于废弃电子电气设备 (WEEE) 的指令 2012/19 / EC。



-10°C 到 +45°C 降温 35°C 以上。



湿度: 10% 至 90% (非冷凝)。



不要在高于 2000 米海拔的地方使用该设备。



不要在热带环境中使用本设备。



警告: 为降低电击风险, 不要试图打开设备的任何部位。内部没有可服务于使用者的部件。需要服务时请联系合格的服务人员。



连接到电网上时, 仅可以由具备电工技术的人员按照销售该设备的国家要求进行。



如果电源线磨损或破坏, 不要使用此放大器。



为了避免电击, 在操作放大器期间, 不要触摸暴露的任何扬声器线路。



不要将水或其它液体溅到放大器上或内部。



放大器上不得放置明火源, 如燃烧的蜡烛。



警告: 避免受伤。本装置必须根据根据安装说明固定在地板/墙上。



本装置必须由符合 IEC 364 或类似规定的电网中的接地主电源插座供电



先断开主交流电源, 再清洁放大器的任何部分



断路器需要每个 MEZZO 支持 375 伏安, 所以每个 115V 10A 的输出最多安装 3 个 MEZZO, 或者 230V 10A 的输出最多安装 6 个 MEZZO



强烈建议在拔出输出接头前进行自检



测试信号可能会损坏喇叭。



CLASS2 WIRING

输出端有危险: 终端接线需要具有相关知识的人员进行, 接线需要使用机制导线。



将交流电源插头正确插入放大器入口。放大器通电前, 确保使用的电压等级正确。



确保你的主电线能满足本设备的功率等级要求。



本设备通电前一定要锁定输出端。



本设备的设计和制造能确保你的人身安全。但是, 使用不当也可能导致电击或火灾。

为了损坏本产品中的保障措施, 请在安装、使用和维护过程中遵守下列基本规则。使用前请仔细阅读“重要保障措施”。

- 阅读说明。
- 遵守说明。
- 注意所有警告。
- 遵守所有说明。
- 不得在靠近水的位置使用本设备。
- 只能用于布清洁。
- 不得堵塞通风口。按照制造商的说明进行安装。
- 不得在热源附近安装, 如散热器、热记录器、灶具、或其他会发热的装置等。
- 不得违背极化或接地插头的安全目的。极化插头有两个插脚, 一宽一窄。接地插头插有两个插脚和第三接地插脚。宽插脚或第三接地插脚用于保证你的安全。如果所提供的插头不适合你的插座, 请咨询电工, 更换老旧的插座。
- 确保电线上不被踩踏或夹住, 特别是在插头、方便插座和进出设备的位置。
- 只使用制造商规定的备件/附件。
- 只使用制造商规定的或者与本设备一同出售的手推车、三角架、支架或桌子。当使用手推车时, 在移动手推车/装置组合件的时候应特别小心, 以免翻倒。
- 雷雨天气或长时间不使用时, 请断开本装置电源接头。
- 向合格的服务人员咨询所有维护事项。本设备受到任何方式的损坏后需要维护, 例如电源线或插头损坏, 液体溅洒或有东西砸到本设备, 被雨淋或受潮, 无法正常运行, 或从高处跌落。
- 本设备应连接到有保护接地的主电源插座
- 在主电源插头或适当的耦合器被用作断开设备时, 断开设备应保证可以随时使用。



WEEE指令

当你的产品销毁时, 请回收所有可以回收的部件。



此符号表示, 当最终用户想处置掉本产品时, 必须将其送到单独的回收设施以进行恢复和回收利用。通过把本产品和其他家用废物分离开来, 就能减少送往焚烧炉或填埋场的垃圾, 从而保护自然资源。

废弃电气和电子设备指令 (WEEE指令) 的目的在于尽量减少电气和电子产品对环境的影响。POWERSOFT公司遵守欧洲议会关于通过废弃电子产品对电气设备 (WEEE) 的处理和恢复费用进行融资的2012/19/EU指令, 从而减少填埋场处置的废弃电子电气设备的数量。

我们所有的产品均标有WEEE符号; 这表明, 本产品不得与其他废物一道进行处置。相反, 用户的责任是通过把废旧电器和电子设备移交获批的废品处理机构或将其移交给POWERSOFT公司来处置这些设备。请联系POWERSOFT公司或你的当地经销商来了解你处置废旧设备, 进行回收的相关信息。

欧盟符合性声明

制造商:
Powersoft S.p.A.
地址: via E. Conti 5
50018 Scandicci (Fi)
Italy



我们宣布, 根据我们的唯一责任, 本产品:
型号名称:

MEZZO 322 A
MEZZO 324 A
MEZZO 602 A
MEZZO 604 A
MEZZO 322 AD
MEZZO 324 AD
MEZZO 602 AD
MEZZO 604 AD

用途: 专业音频放大器

符合以下EC指令规定 (包括所有其修正案), 以及实施这些指令的国家立法:

2014/35/EU	低电压指令
2014/30/EU	电磁兼容性指令
2011/65/EU	RoHs指令

应用了以下统一标准:

EN 55032: 2012
EN 55035: 2017
EN 60065: 2014 /AC: 2016

Scandicci,
2019年9月

Luca Lastrucci
常务董事

仅限法规遵从性问题: compliance@powersoft.it

预备操作

包装清单

箱内含有：

- 1个Mezzo功放
- 块连接器
- 2个支架A
- 2个支架B
- 2颗螺钉(用于固定支架)
- 主电源线
- 1个L形T8钥匙
- 1个插头固定支架
- 1个壁挂式模板表

位置

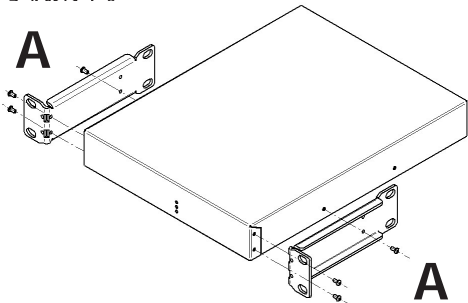
将功放安装在允许空气交换的位置。

该功放配有用于以下安装选项的配件：

——橡胶底脚使您可以将该功放放在任何平坦的表面上。

——可以使用该功放中适合螺纹孔的螺钉来定制安装用于杆和其他应用的配件。这些螺丝不得长于8毫米。避免错误最安全的方法是使用提供的螺钉进行安装。

19 ——使用2个“支架A”，可以将单个功放安装在19英寸机架中。

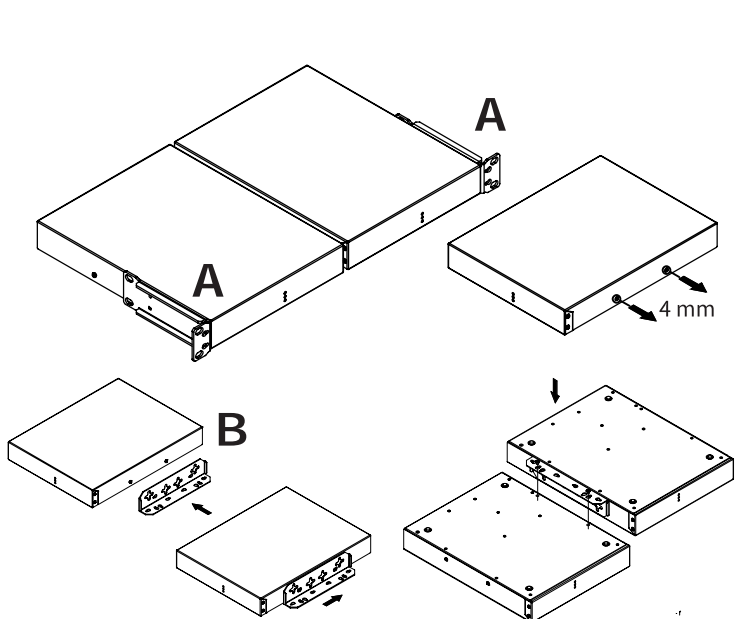


19 ——使用1个“支架B”，可以并排安装两个Mezzo，然后再使用2个“支架A”将它们安装在19英寸机架中的1个RU中。

按照指示拧开第一个Mezzo上的螺钉，但不要将它们完全卸下，通过将螺钉插入锁孔，将“支架B”固定在适当的位置，并拧紧螺钉，避免过度拧紧。

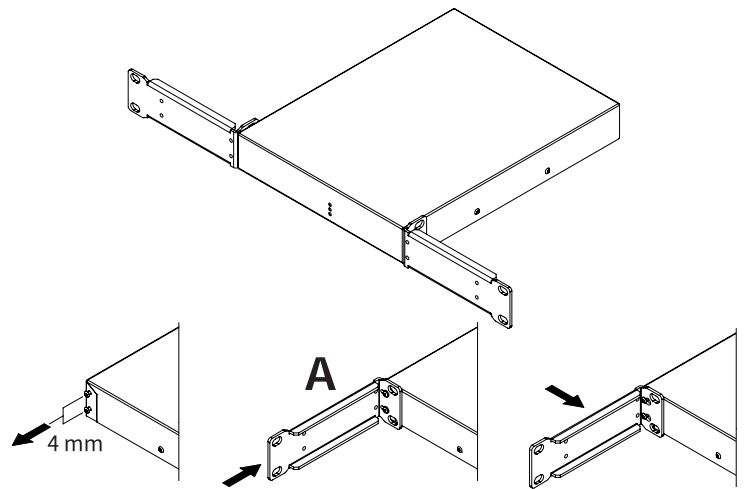
上下翻转两个mezzo，从第二个mezzo的底部卸下图中所示的螺钉，将“支架B”上的孔与对应的螺钉孔相匹配，然后拧回原来的螺钉，避免过度拧紧。

拧下每侧的螺钉，将重新固定的螺丝孔与支架上的孔相匹配，然后拧回原始螺钉，避免过度拧紧，以此安装2个“支架A”。

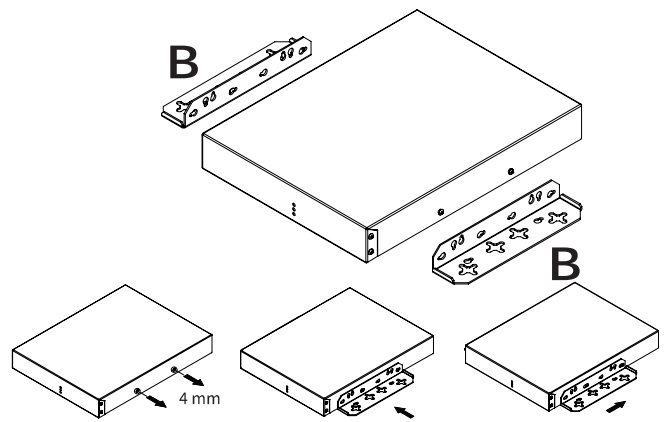


——使用2个“支架A”，可以将单个功放安装在半宽度的机架中。

按照指示，拧开螺钉(每侧2颗)，但不完全将它们拧下，将2个“支架A”(每侧1个)插入到槽孔中，将其固定在适当的位置，并拧紧螺钉，避免过度拧紧。

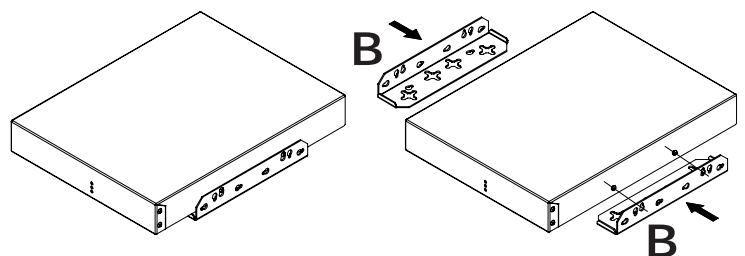


——使用2个“支架B”，可以将功放垂直安装在墙壁上，或者倒置在桌子下或天花板下。在后一种情况下，只需将支架上下翻转即可。



——使用2个“支架B”，可以如上例所示安装功放，同时将支架隐藏在Mezzo下方。

使用钻孔模板(包括在包装盒中)在墙上安装至少2个螺钉，将支架固定在功放上，然后将其滑入墙壁螺钉即可。



冷却

600W型号实现了可以进行温度控制的强制空气冷却系统。空气从前面进入，并存在于功放的后面。风扇有3种模式：

STILL - 如果功放周围空间的温度为 $\leq 35^{\circ}\text{C}$ ，并且每个通道的平均输出功率为 $\leq 1\text{W}$ 。

WHISPER - 如果每个通道的平均输出 $\leq 4\text{W}$ 。在此模式下，1米处的风扇噪声 $\leq 30\text{ dBA}$ 。

REGULATED - Mezzo调整风扇的速度以保持凉爽。在此模式下，1米处的风扇噪声 $\leq 45\text{ dBA}$ 。

万一发生过热，功放将使所有通道静音并使风扇运转以达到安全温度，然后重新开始运行。

设置和操作

电源状态

该功放没有电源开关。连接交流电源时，它将自动开启；如果25分钟内没有信号，它将进入待机模式。

当输入的信号相对于满功率所需的电平超过-60dB时，功放将在2秒钟内恢复开启状态。

DSP和矩阵配置

该功放具有多种功能，可以通过两种方式进行设置。

- 自动 - 无需使用任何应用程序或软件。
- 高级 - 使用软件设置更多参数并优化功能。

自动配置

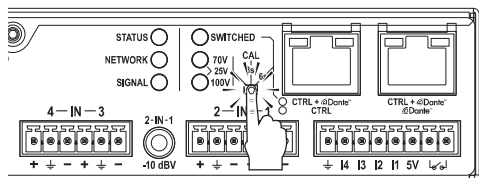
这是配置功放的简便方法，不需要任何软件。如果您想要的是具有可监视的平坦频率响应的功放，并且是AD模型，那么您可以使用第三方软件将音频路由到该功放，这是理想的选择。

自动设置将设置限制器，以使通道达到电源的最大容量，并具有4 dBu的平衡模拟输入（对于Dante/AES67，则为-6 dBFS）。这意味着还可以调节增益，以使功放具有所有通道所需的增益。然后，只需通过将内容的级别调整到不同的渠道即可完成“分配功率”的方法。

还将自动设置高通滤波器。还会选择截止值，以使低于共振频率的频率以及使Hi-Z扬声器中的变压器饱和的频率衰减。

注意！仅当没有手动更改功放的设置和参数时，自动配置才可能且可重复。在手动更改的情况下，仍然可以触发自动配置，但仅用于验证和监视目的。在将设置和参数重新设置为初始值或恢复出厂设置之前，不会保存新的测量值。要恢复Mezzo的出厂默认模式，请先拔掉电源线。按住功放后面板上的按钮，并在保持按下按钮的同时重新连接电源线。等待功放状态LED呈红色闪烁三下并释放按钮。

1-

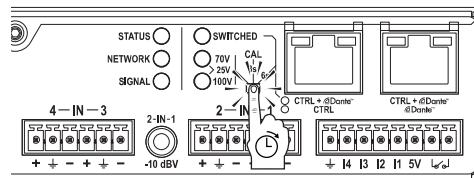


不会为任何通道分配超过电源功率的限制器。如果某个通道使用的功率少于其可提供的功率，那么选择最大电压的主要原因是为了确保25/70/100V扬声器在其分接头上获得选定的功率。

如果连接的负载不需要全功率，而且应用是25V或70V，那么限制器可能会设置得过高。短按功放后面板上的按钮可以选择最大电压。所选电压将显示如下：

请注意，对于低阻抗负载，没有必要选择最大电压。

70V LED	100V LED	最大峰值电压	最大RMS电压	描述
熄灭	点亮	141.4 V _{峰值}	100 V _{rms}	也适用于混合100V和低阻抗配置
点亮	熄灭	100 V _{峰值}	70.7 V _{rms}	也适用于混合70V和低阻抗配置
点亮	点亮	35.4 V _{峰值}	25 V _{rms}	也适用于混合70V和低阻抗配置
熄灭	熄灭	自定义设置		该设置不能从后面板上选择。限制器已经在软件中被手动设置，并且如果没有恢复出厂设置就无法更改

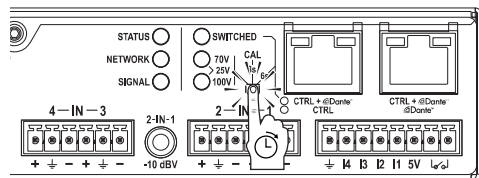


按下按钮，直到LED“Signal”变为紫色，然后在2秒钟内将其释放。这将触发每个通道的自动阻抗测量。音量应足够高，以正确测量8欧姆扬声器。如果阻抗较高，则测量到的结果可能会被误认为过于嘈杂，然后会自动重复测量。请注意，如果扬声器足够灵敏，它可能会产生超过95 dB的声压值。

阻抗测量将自动设置警告阈值，以监视变化。它还将设置限制器，以使通道可以在设计和模型允许的情况下大声播放而不会失真。

3-

AD



按下按钮，直到LED“Network”变为紫色，然后在2秒钟内将其释放。这会将功放重置为自动IP，并将切换以太网模式并更新“转换”指示器：

- 熄灭：内部以太网交换机已禁用=>两个端口未连接，然后在内部为Dante/AES67分配了右侧的端口。左侧的端口仅用于控制/监视功放的信号处理器。
- 点亮：这是默认的“切换模式”。内部以太网交换机已启用=>这两个端口已连接，并且都可用于Dante/AES67和功放信号处理器的控制/监视。这意味着控制和数字音频只需要一根以太网电缆。这也意味着，只要有足够的带宽，就可以将产品加入到其他千兆以太网产品的菊花链中。

4 - GPI

I/O路由-4通道模式

所有4通道模式均允许直接进行4-输入/4-输出的模拟路由，其中标记为1和2的模拟输入是平衡和非平衡输入的总和。仅当使用不平衡输入时，这些输入将获得12dB的提升，因此正常的不平衡源将提供足够的电平把功放驱动至全功率。当同时使用平衡输入和不平衡输入时，后者将得到-30dB的进一步降低，因此优先考虑平衡源。

I/O路由-2通道模式

所有2通道型号都混合了两个不平衡输入（标记为1和2）和两个平衡输入（标记为3和4），这意味着可以使用平衡和不平衡信号源。

I/O路由-Dante/AES67 (AD模式)

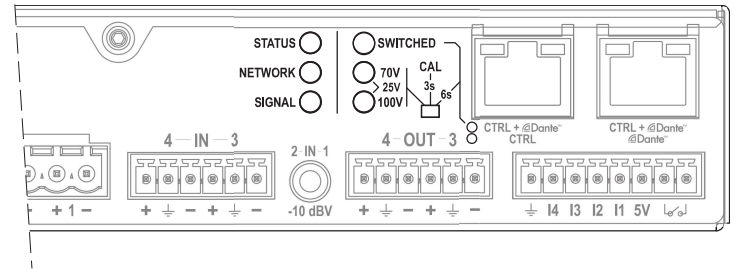
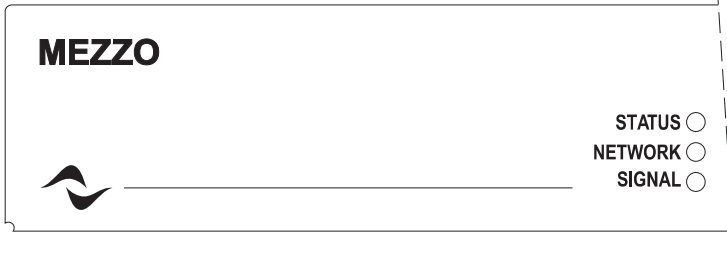
在AD模式中，可以使用其他四个Dante/AES67的输入和输出。对于这些模式，由默认设置启用源选择策略，当音频信号同时来自两种源类型时，Dante/AES67输入的优先级高于相应的模拟输入。源选择和优先级设置可以从ArmoniaPlus或第三方API配置。

通过GPI进行VCA操作

在4通道模式中，位于功放后面板上的四个GPI端子可以连接到10kOhm无源电位器，以衰减输出电平。每个GPI连接器(I1, I2, I3和I4)对应一个输出通道(分别为1、2、3和4)。

在2通道模式中，可以分别通过GPI连接器I1和I2衰减通道1和2的输出电平。

LED Charts



General

LED	Color	Lighting	Description
Status	Green	Solid ON	Amplifier on and operational
	Blue	Low Intensity	In standby
	Red	Solid ON	Hardware fault
Network	Yellow	Solid ON	Temperature warning
	Green	Solid ON	Ethernet up and operational
	Blue	Solid ON	Connected to remote control
Signal	Green	Solid ON	Analogue input signal present
	Yellow	Solid ON	Limiting in one or more channels
	Blue	Solid ON	Dante input signal present
Switched	Cyan	Solid ON	Both analogue and Dante input signals present
	Green	Solid ON	'Switched' ethernet operation mode enabled
Status Network Signal	OFF	-	'Split' ethernet operation mode enabled
	All Cyan	All Blinking	Amplifier selected in ArmoniaPlus or blinking command triggered.

Maximum Voltage Selection

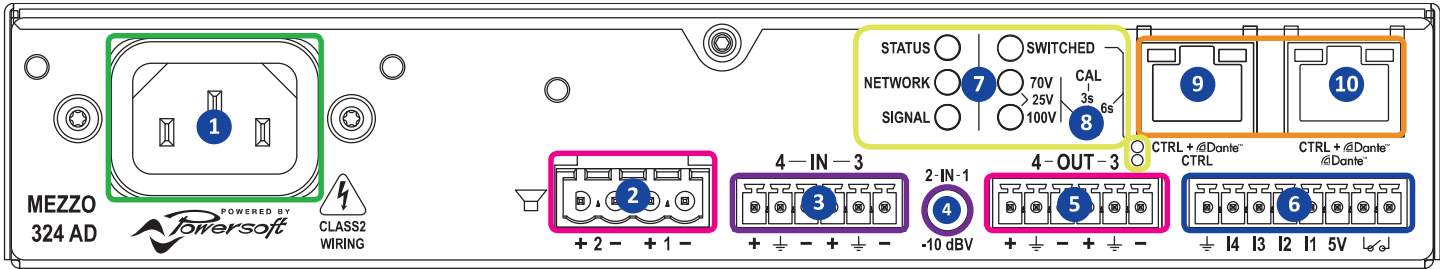
LED	Color	Lighting	Description
70V	Green	Solid ON	70V Selected
100V	OFF	-	
70V	OFF	-	100V Selected
100V	Green	Solid ON	
70V	Green	Solid ON	25V Selected
100V	Green	Solid ON	

Pushbutton LED Chart - Amplifier ON

LED	Color	Lighting	Description
Status	OFF	-	Push button pressed for more than 2s. Auto configuration ready to be triggered following button release.
Network	OFF	-	
Signal	Purple	Solid ON	
Status	OFF	-	Push button pressed for more than 5s. Ethernet operation mode ready to be changed following push button release.
Network	Cyan	Solid ON	
Signal	OFF	-	

Rear Panels

2 Channel Versions



AC Mains Connector

- 1 IEC 10A

GPIO Terminals

- 6

Output

- 2 CH2 - CH1 Outputs
- 5 CH4 - CH3 Line Level Balanced Outputs

Control & Monitoring

- 7 Amplifier State LEDs - Switched/Split mode LED (AD only)
- 8 Pushbutton

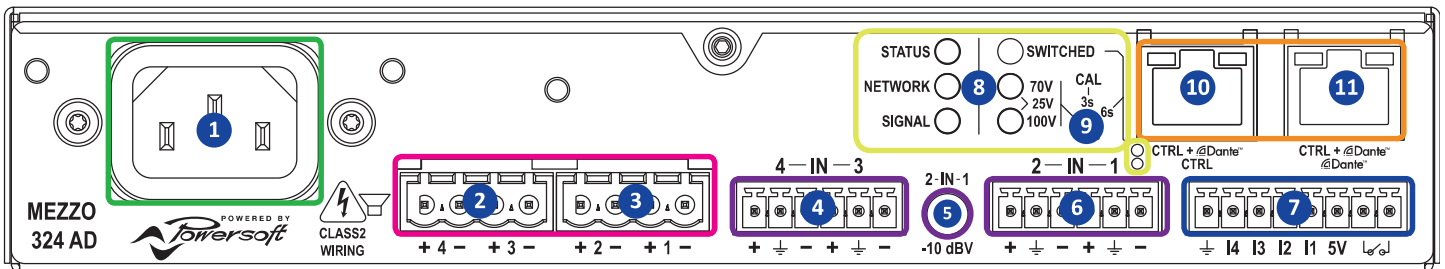
Input

- 3 CH4 - CH3 Balanced Inputs
- 4 CH2 - CH1 Unbalanced Inputs

Network Connectors

- 9 1 X RJ45 Fast Ethernet connector (Mezzo A Version)
- 10 2 X RJ45 Fast Ethernet connector (Mezzo AD Version)

4 Channel Versions



AC Mains Connector

- 1 IEC 10A

GPIO Terminals

- 7

Output

- 2 CH4 - CH3 Outputs
- 3 CH2 - CH1 Outputs

Control & Monitoring

- 8 Amplifier State LEDs - Switched/Split mode LED (AD only)
- 9 Pushbutton

Input

- 4 CH4 - CH3 Balanced Inputs
- 5 CH2 - CH1 Unbalanced Inputs
- 6 CH2 - CH1 Balanced Inputs

Network Connectors

- 10 1 X RJ45 Fast Ethernet connector (Mezzo A Version)
- 11 2 X RJ45 Fast Ethernet connector (Mezzo AD Version)



DRIVING HUMAN AUDIO EXPERIENCE

POWERSOFT S.P.A.

Via E. Conti, 5 - Scandicci (FI) 50018 - Italy

support@powersoft.com

+39 055 73 50 230

+39 055 73 56 235