

HyperDeck Studio 12G



\$1,495

When you need to go beyond 1080p30, HyperDeck Studio 12G is a more advanced version of HyperDeck Studio. Featuring 12G-SDI connections and HDMI 2.0, HyperDeck Studio 12G works with all SD, HD and Ultra HD formats up to 2160p60 over a single cable. You still get all of the benefits of HyperDeck Studio, including its familiar VTR style deck controls and broadcast quality compressed and uncompressed 10-bit 4:2:2 recording.

Connections

SDI Video Inputs

1

SDI Video Outputs

2

SDI Rates

270 Mb, 1.5G, 3G, 6G, 12G.

HDMI Video Inputs

HDMI 2.0 type A connector with support for Ultra HD 4K 10-bit 60p 4:2:2.

HDMI Video Outputs

HDMI 2.0 type A connector with support for Ultra HD 4K 10-bit 60p 4:2:2.

Analog Video Inputs

None

Analog Video Outputs

None

Analog Audio Inputs

None, embedded audio only.

Analog Audio Outputs

None, embedded audio only.

Timecode Connection

None

SDI Audio Inputs

16 channels embedded in SD, HD, and UHD in QuickTime files.
2 channels embedded in HD in Avid DNxHD MXF files.

SDI Audio Outputs

16 channels embedded in SD, HD, and UHD in QuickTime files.
2 channels embedded in HD in Avid DNxHD MXF files.

HDMI Audio Inputs

8 channels embedded in SD, HD, and UHD in QuickTime files. 2 channels embedded in HD in Avid DNxHD MXF files.

HDMI Audio Outputs

8 channels embedded in SD, HD, and UHD in QuickTime files. 2 channels embedded in HD in Avid DNxHD MXF files.

Reference Input

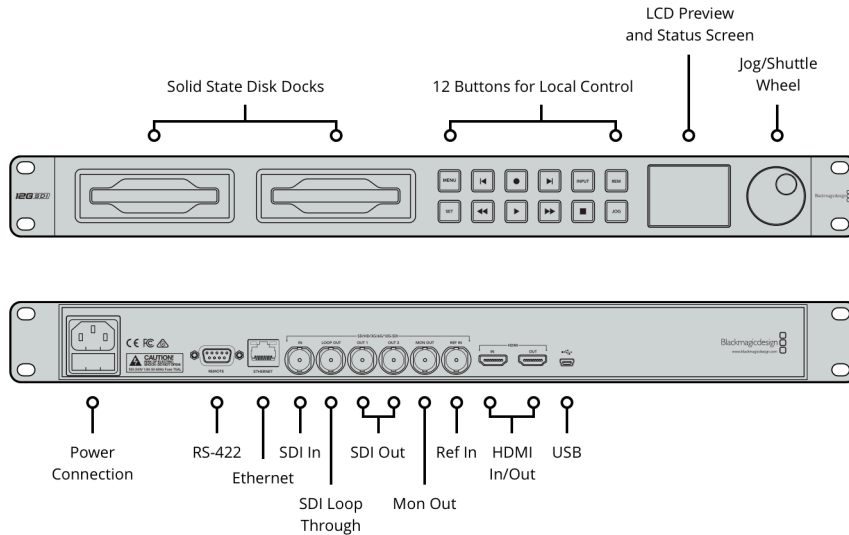
Tri-Sync or Black Burst.

Recorder Configuration

Front panel configurable or USB 2.0 high speed interface.

Computer Interface

1 x USB 2.0 Mini-B port for software updates and HyperDeck Utility software control.



Standards

SD Video Standards

525i59.94 NTSC, 625i50 PAL

HD Video Standards

720p50, 720p59.94, 720p60
 1080p23.98, 1080p24, 1080p25,
 1080p29.97, 1080p30, 1080p50,
 1080p59.94, 1080p60
 1080PsF23.98, 1080PsF24,
 1080PsF25, 1080PsF29.97, 1080PsF30
 1080i50, 1080i59.94, 1080i60

Ultra HD Video Standards

2160p23.98, 2160p24, 2160p25,
 2160p29.97, 2160p30, 2160p50,
 2160p59.94, 2160p60

SDI Compliance

SMPTE 259M, SMPTE 292M,
 SMPTE 296M, SMPTE 425M Level B

SDI Metadata Support

HD RP188 and closed captioning
 CEA-708.

Audio Sampling

Television standard 24-bit, 48 kHz
 sample rate.

Video Sampling

4:2:2

Color Precision

10-bit

Color Space

REC 601, REC 709, REC 2020
 (playback only)

Copy Protection

HDMI input is unable to capture from
 copy protected HDMI sources. Always
 confirm copyright ownership before
 capture or distribution of content.

Media

Media

2 x SSD for SD, HD and
 Ultra HD recording.

Media Type

SATA-II or SATA-III solid state disc.

Media Format

Can format discs to ExFAT (Windows/
 Mac) or HFS+ (Mac) file systems.

Supported Codecs

Uncompressed QuickTime, ProRes
422 HQ QuickTime, ProRes 422
QuickTime, ProRes 422 LT QuickTime,
ProRes 422 Proxy QuickTime, Avid
DNxHD/HR QuickTime and Avid
DNxHD/HR MXF.

Computer Capture

None

Control

Built in Control Panel

12 buttons for transport and menu
control, 2.2 inch color display.

External Control

RS-422 deck control, SDI start/stop,
timecode run. Includes Blackmagic
HyperDeck SDK and Ethernet
HyperDeck Control Protocol.

Software

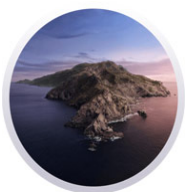
Software Included

Media Express, Disk Speed Test,
Blackmagic System Preferences and
Blackmagic driver (Mac only).

Internal Software Upgrade

Loaded at system start, or via
updater software using USB port.

Operating Systems



Mac 10.14 Mojave,
Mac 10.15 Catalina or later.



Windows 8.1 and 10.

Display

Built in LCD for video, audio and
timecode monitoring and
menu settings.

Physical Installation

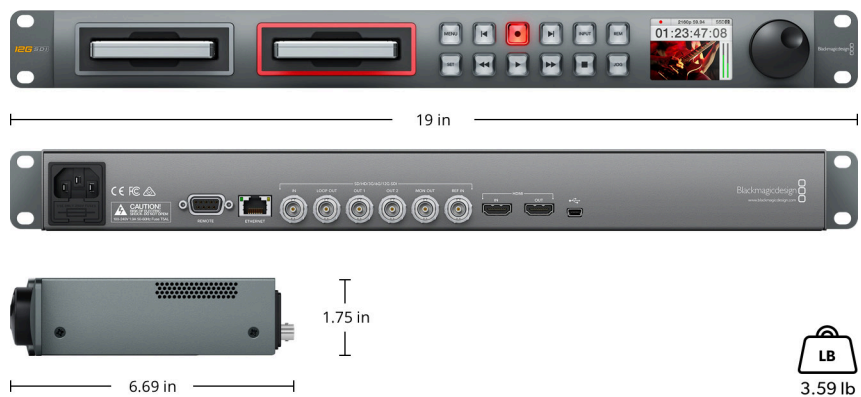
1 rack unit size. Less than
7 inches deep.

Power Requirements

Power Supply

1 x Internal 100 - 240V AC.

Physical Specifications



Environmental Specifications

Operating Temperature

5° to 40° C (41° to 104° F)

Storage Temperature

-20° to 45° C (-4° to 113° F)

Relative Humidity

0% to 90% non-condensing

What's Included

HyperDeck Studio 12G
SD card with software, user manual,
Blackmagic HyperDeck SDK and
Ethernet HyperDeck Control Protocol

Warranty

12 Month Limited Manufacturer's Warranty.

All items on this website are copyright Blackmagic Design Pty. Ltd. 2020, all rights reserved. All trademarks are property of their respective owners. MSRP includes duties, but excludes sales tax and shipping costs. This website uses remarketing services to advertise on third party websites to previous visitors to our site. You can opt out at any time by changing cookie settings. [Privacy Policy](#)

Blackmagic Design Authorized Reseller