

# MQ 50

## 2 WAY COMPACT SPEAKER

### DESCRIPTION

It is a two-way speaker with 5" woofer and waveguide-loaded dome tweeter to ensure intelligibility and correct dispersion of the sound over a wide angle of coverage. The built-in support makes the MQ50 easy to install and enables close fitting to the wall, limiting its protrusion.

The exclusive attachment system designed for the MQ50 model allows the installer to fit the attachment bracket to the wall and make the electrical connections during the pre-installation phase; subsequently, when all the works are completed, the MQ50 is positioned, oriented, and connected with a simple "click", without the need for tools.



### FEATURES

- Two way Bass refl ex speaker for music reproduction
- Speaker: woofer 5" - tweeter 0,75" dome
- Power/RMS: 120/60 W Bypass
- Crossover frequencies: 4500 Hz, 12/12 dB/oct



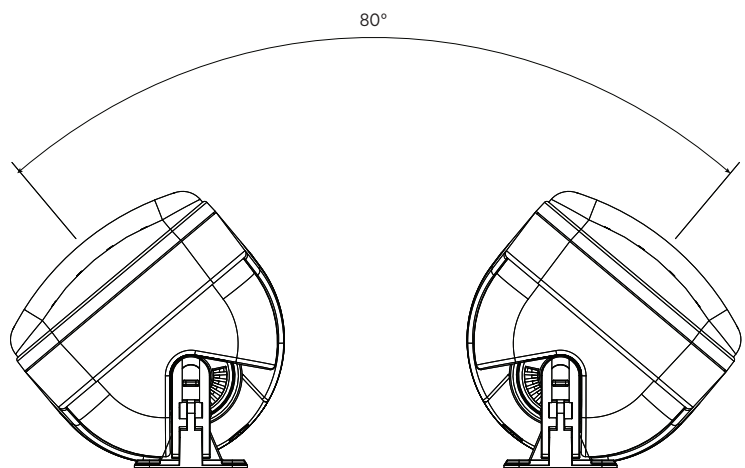
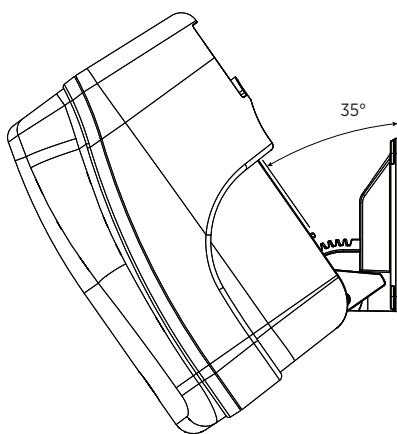
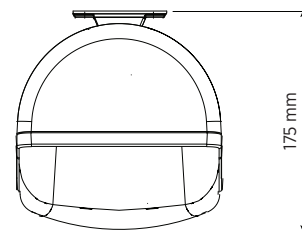
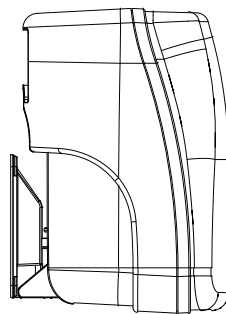
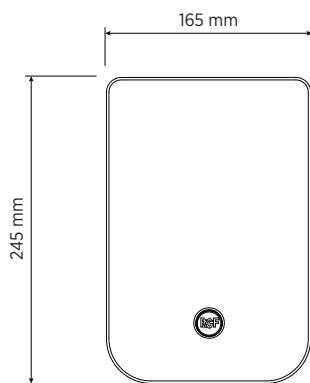
**TECHNICAL SPECIFICATIONS**

|                                  |                             |                       |
|----------------------------------|-----------------------------|-----------------------|
| <b>Acoustical specifications</b> | Frequency Response (-10dB): | 70 Hz ÷ 20000 Hz      |
|                                  | Max SPL @ 1m:               | 110 dB                |
|                                  | Horizontal coverage angle:  | 120°                  |
|                                  | Vertical coverage angle:    | 100°                  |
|                                  | System Sensitivity:         | 89 dB                 |
| <b>Power section</b>             | Nominal Impedance (ohm):    | 16 ohm                |
|                                  | Power Handling:             | 60 W RMS              |
|                                  | Peak Power Handling:        | 240 W PEAK            |
|                                  | Recommended Amplifier:      | 120 W                 |
|                                  | Crossover Frequencies:      | 4500 Hz               |
| <b>Transducers</b>               | Dome Tweeter:               | 0.75"                 |
|                                  | Woofers:                    | 5.0"                  |
| <b>Input/Output section</b>      | Input connectors:           | Euroblock             |
|                                  | Output connectors:          | Euroblock             |
|                                  | Power selection 1 (100 V):  | 30 W - 333 ohm        |
|                                  | Power selection 2 (100 V):  | 20 W - 500 ohm        |
|                                  | Power selection 3 (100 V):  | 10 W - 1000 ohm       |
|                                  | Power selection 4 (100 V):  | 5 W - 2000 ohm        |
| <b>Standard compliance</b>       | CE marking:                 | Yes                   |
| <b>Physical specifications</b>   | Cabinet/Case Material:      | Plastic               |
|                                  | Hardware:                   | Wall mount bracket    |
|                                  | Grille:                     | Steel                 |
|                                  | Color:                      | White                 |
| <b>Size</b>                      | Height:                     | 245 mm / 9.65 inches  |
|                                  | Width:                      | 165 mm / 6.5 inches   |
|                                  | Depth:                      | 175 mm / 6.89 inches  |
|                                  | Weight:                     | 2.63 kg / 5.8 lbs     |
| <b>Shipping informations</b>     | Package Height:             | 300 mm / 11.81 inches |
|                                  | Package Width:              | 235 mm / 9.25 inches  |
|                                  | Package Depth:              | 220 mm / 8.66 inches  |
|                                  | Package Weight:             | 3.16 kg / 6.97 lbs    |

**PART NUMBER**

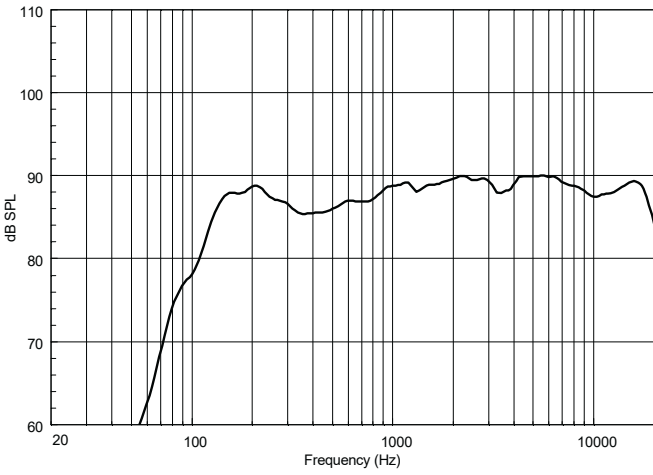
- **13000070**
  - MQ 50 B
  - Black
  - EAN 8024530005535
- **13000056**
  - MQ 50 W
  - White
  - EAN 8024530005474

**DRAWINGS**

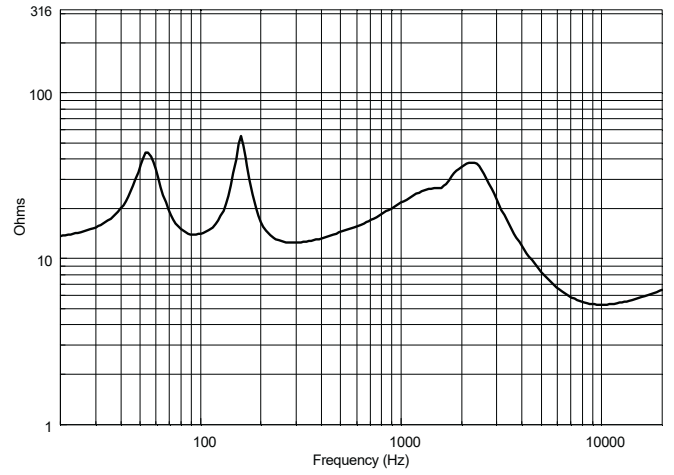




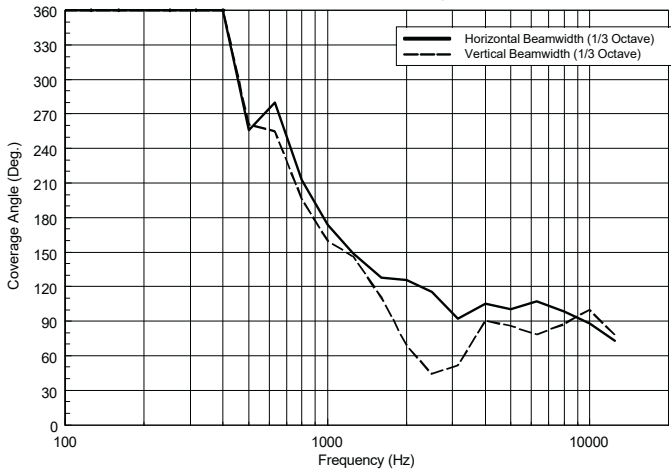
Response 1W/1m



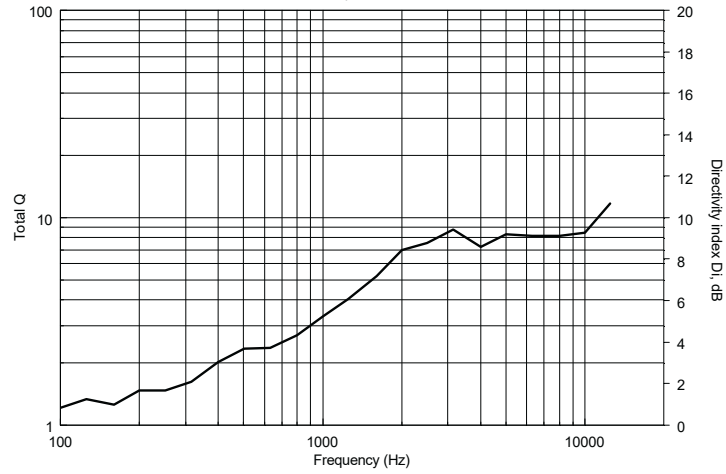
Impedance



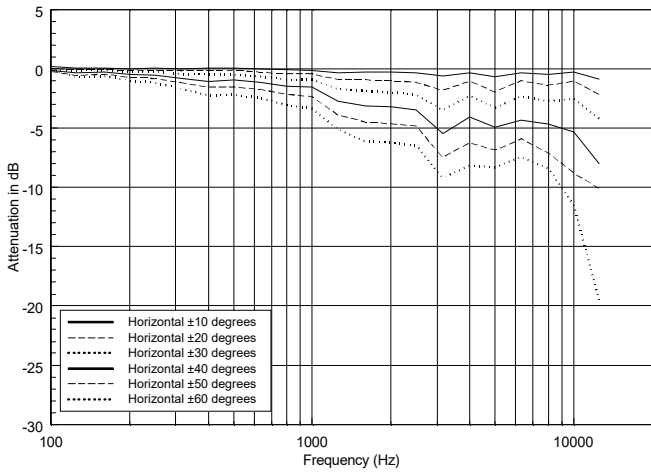
Beamwidth vs. Frequency



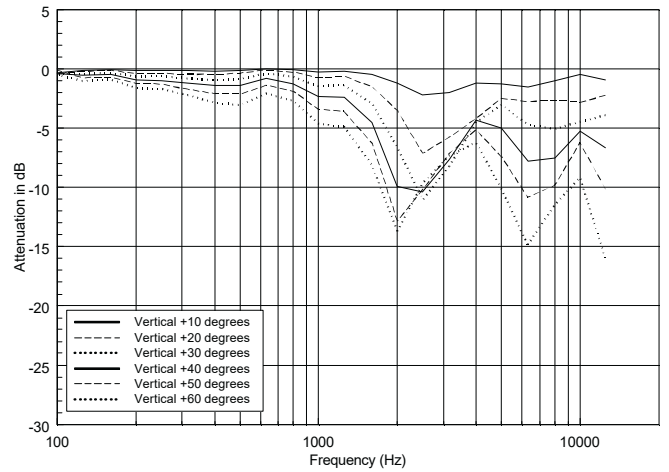
Directivity Index and Q



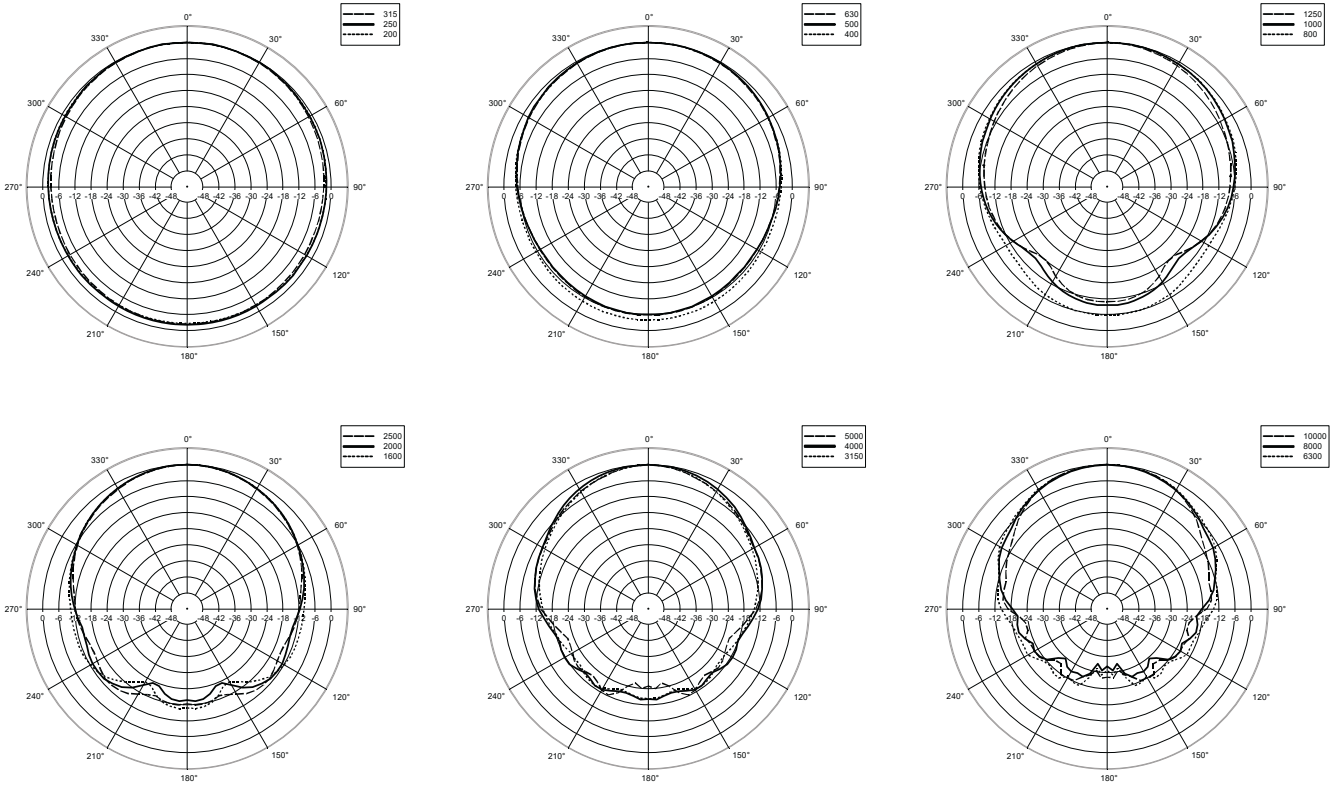
Normalized Horizontal off-axis Response



Normalized Vertical off-axis Response. Above the box



Horizontal 1/3 Polar Plot



Vertical 1/3 Polar Plot

