



M 20X DIGITAL MIXER

owner's **manual**

ENGLISH	3
ITALIANO	13

ENGLISH

FCC & IC GRANT

INFORMATION TO THE USER:

NOTE: This equipment has been tested and found to comply with the limits for a Class A digital device, pursuant to part 15 of the FCC Rules. These limits are designed to provide reasonable protection against harmful interference when the equipment is operated in a commercial environment. This equipment generates, uses, and can radiate radio frequency energy and, if not installed and used in accordance with the instruction manual, may cause harmful interference to radio communications. Operation of this equipment in a residential area is likely to cause harmful interference in which case the user will be required to correct the interference at his own expense.

FRANÇAIS

FCC & IC DIRECTIVES

INFORMATIONS À L'UTILISATEUR:

REMARQUE: Cet appareil a fait l'objet de tests et a été déclaré conforme aux normes des appareils numériques de classe A, conformément à la partie 15 de la réglementation FCC. Ces limites sont conçues pour offrir une protection raisonnable contre les interférences néfastes dans une installation résidentielle. Ce matériel génère, utilise et peut émettre de l'énergie sous forme de fréquences radio et, s'il n'est pas installé et utilisé conformément aux instructions, il peut générer des interférences néfastes pour les communications radio. Il est cependant impossible de garantir qu'il n'y aura pas d'interférences au sein d'une installation particulière. Si ce matériel interfère avec la réception radio ou télévisuelle, ce qui peut être déterminé en mettant le matériel sous puis hors tension, l'utilisateur est invité à tenter de supprimer ces interférences.

SAFETY PRECAUTIONS

1. Read all precautions, in particular those related to safety, very carefully as they provide important information. Keep these instructions in a safe place.



WARNING: to prevent the risk of fire or electric shock, never expose this product to rain or humidity.

2. POWER SUPPLY FROM MAINS

- a. The mains voltage is sufficiently high to cause electrocution; install and connect the device before plugging it in.
- b. Before powering up, make sure that all the connections have been made correctly.
- c. The metallic parts of the unit are earthed through the power cable. The device is a CLASS I apparatus and must be plugged into an earthed socket.
- d. Protect the power cable from damage; make sure it is positioned in a way that it cannot be stepped on or crushed by objects.
- e. To prevent the risk of electric shock, never open this product: there are no parts inside that the user needs to access.

3. Make sure that no objects or liquids get into the device, as this may cause a short circuit.

The device must not be exposed to drips or splashes. Do not place objects filled with liquid, such as vases, on the device. Do not place naked flames (such as lighted candles) on the device.

4. Never attempt to carry out any operations, modifications or repairs that are not expressly described in this manual.

Contact your authorized service center or qualified personnel should any of the following occur:

- The device does not work (or works anomalously).
- The power cable has been damaged.
- Objects or liquids have got into the device.
- The device has been subject to a heavy shock.

5. Unplug the device if it will not be used for a long time.

6. Switch the device off immediately and unplug it if emission of strange odours or smoke is noticed.

7. Do not connect the device to any equipment or accessories other than those provided for the purpose.

Also check the suitability of the support surface on which the product is placed.

8. Supports and trolleys.

The equipment should be only used accessories of the type recommended by the manufacturer.

9. Hearing loss

Exposure to high sound levels can cause permanent hearing loss. The sound pressure level which causes hearing loss is different from person to person and depends on the exposure time. Adequate protection devices must be used to prevent potentially dangerous exposure to high sound pressure levels. Ear plugs or protective ear muffs must be worn when a transducer capable of producing high sound levels is used.

10. Correct disposal of this product. This symbol indicates that this product must not be disposed of with household waste, according to the WEEE Directive (2012/19/EU) and your national law. This product should be taken to a collection center licensed for the recycling of waste electrical and electronic equipment (EEE).

The mishandling of this type of waste could have a possible negative impact on the environment and human health due to potential hazardous substances that are generally associated with EEE. At the same time, your cooperation in the correct disposal of this product will contribute to the efficient use of natural resources. For more information about where you can take your waste equipment for recycling, please contact your local city office, or your household waste collection service.

**IMPORTANT NOTES**

To prevent the occurrence of noise on line signal cables, use screened cables only and avoid putting them close to:

- Equipment generating high-intensity electromagnetic fields
- Power cables
- Speaker lines
- Place the device away from sources of heat and always ensure an adequate air circulation around it.
- Do not overload this product for a long time.
- Never force the controls (buttons, knobs etc.).
- Do not use solvents, alcohol, benzene or other volatile substances for cleaning the external parts of the device.

**IMPORTANT NOTES**

Please read this manual carefully and keep it on hand for future reference before connecting and using the device. The manual is an integral part of the device and must accompany it when it changes ownership as a reference for correct installation and use as well as for the safety precautions. RCF S.p.A. will not assume any responsibility for the incorrect installation and/or use of the device.

**LEGAL DISCLAIMER**

RCF S.p.A. accepts no liability for any loss which may be suffered by any person who relies either wholly or in part upon any description, photograph, or statement contained herein. Technical specifications, appearances, and other information are subject to change without notice. All trademarks are the property of their respective owners.

RCF M 20X DIGITAL MIXER

DESIGNED FOR SOUND TECHNICIANS

MANUAL

This manual is intended for give to the user the information necessary for the first use of RCF M 20X digital mixer. Follow carefully this manual for a correct use of the device.

Visit the SUPPORT page on the M SERIES section of our website <http://mixer.rcf.it> to download the full Owner's manual.

WHAT'S IN THE BOX:

1. This Manual

Read carefully this manual before start using you RCF M 20X Digital Mixer

2. Warranty Certificate

Read Carefully the Warranty Certificate. It allows you to extend the Warranty time to 3 years only registering your product in the web site www.rcf.it/product-registration

3. Warning sheet

Read carefully the Warning Sheet to avoid any possible injuries to the user or damages of the product during use.

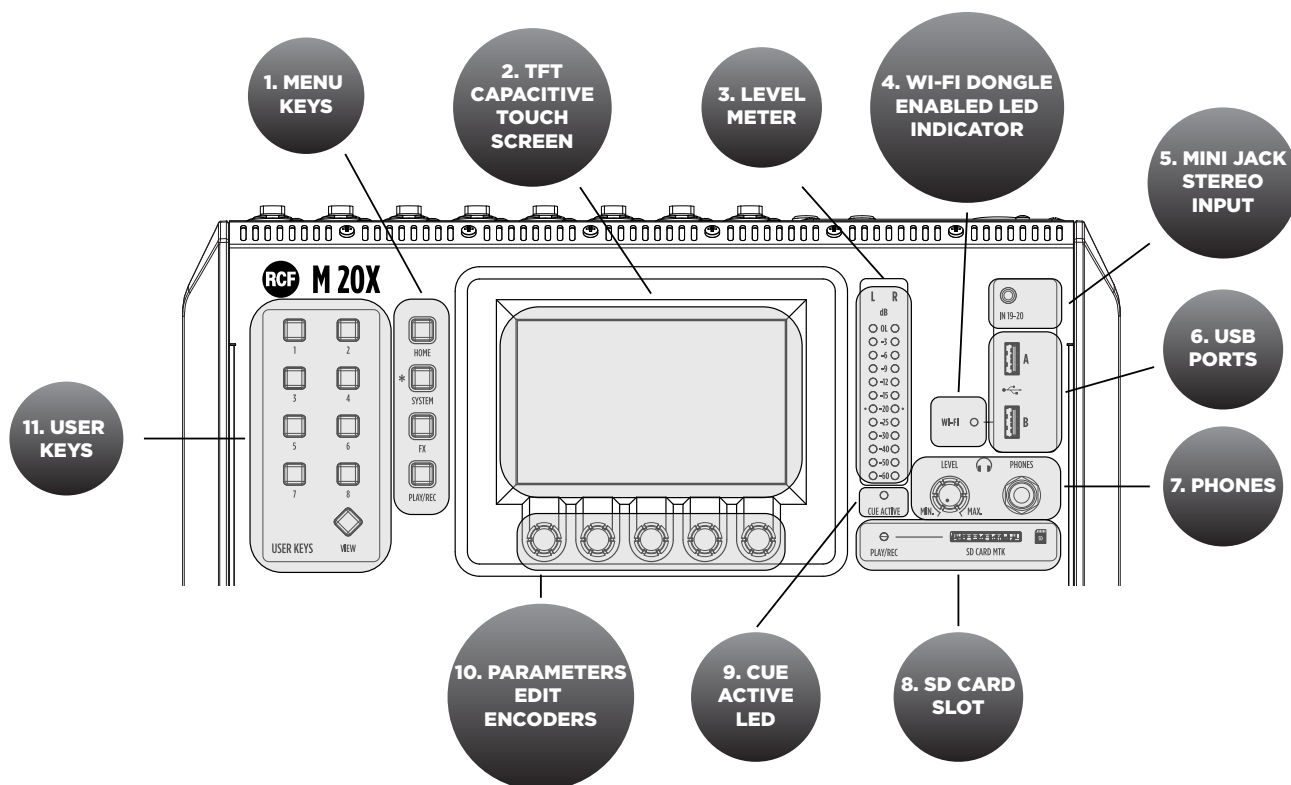
4. M 20X Digital Mixer

5. Power Cord

Each M 20X is provided with a power cord matching the region of delivery.

RCF M 20X DIGITAL MIXER

FRONT PANEL - UPPER SECTION



1. MENU KEYS

4 menu keys allow an intuitive and immediate navigation through menu pages.

2. TFT CAPACITIVE TOUCH SCREEN

A highly responsive 5-inch TFT touchscreen offers intuitive navigation of all the available features, and can be optionally paired with an external tablet to augment interaction with the M 20X.

3. LEVEL METER

This 12 LED elements level meter normally allows you to control the Main Mix output level. When a channel CUE button is pressed, the level meter shows the PFL level present in the selected channel. Keep the input level below the "-20" indication to avoid overloaded signals that can cause distortion.

4. WI-FI DONGLE ENABLED LED INDICATOR

This led light up when the Wi-Fi AP function for the USB port "B" is enabled, allowing the use of a WiFi USB dongle.

5. MINI JACK STEREO INPUT 19-20

Connect here your stereo line level sources like smartphones, laptops or others external audio devices.

6. USB PORTS

Two USB host ports on the top panel are available for WiFi dongles, USB-MIDI devices, and USB mass storage devices that can be used for stereo audio record/ playback, system backups and firmware updates.

7. PHONES

Connect your headphones here either for CUE or the Main Mix listening.

8. SD CARD SLOT

An integrated SD card multitrack engine offers a maximum of 20 simultaneous tracks at 24-bit, 48 kHz, with extensive routing options.

9. CUE ACTIVE LED

This led light up when one or more CUE button are pressed.

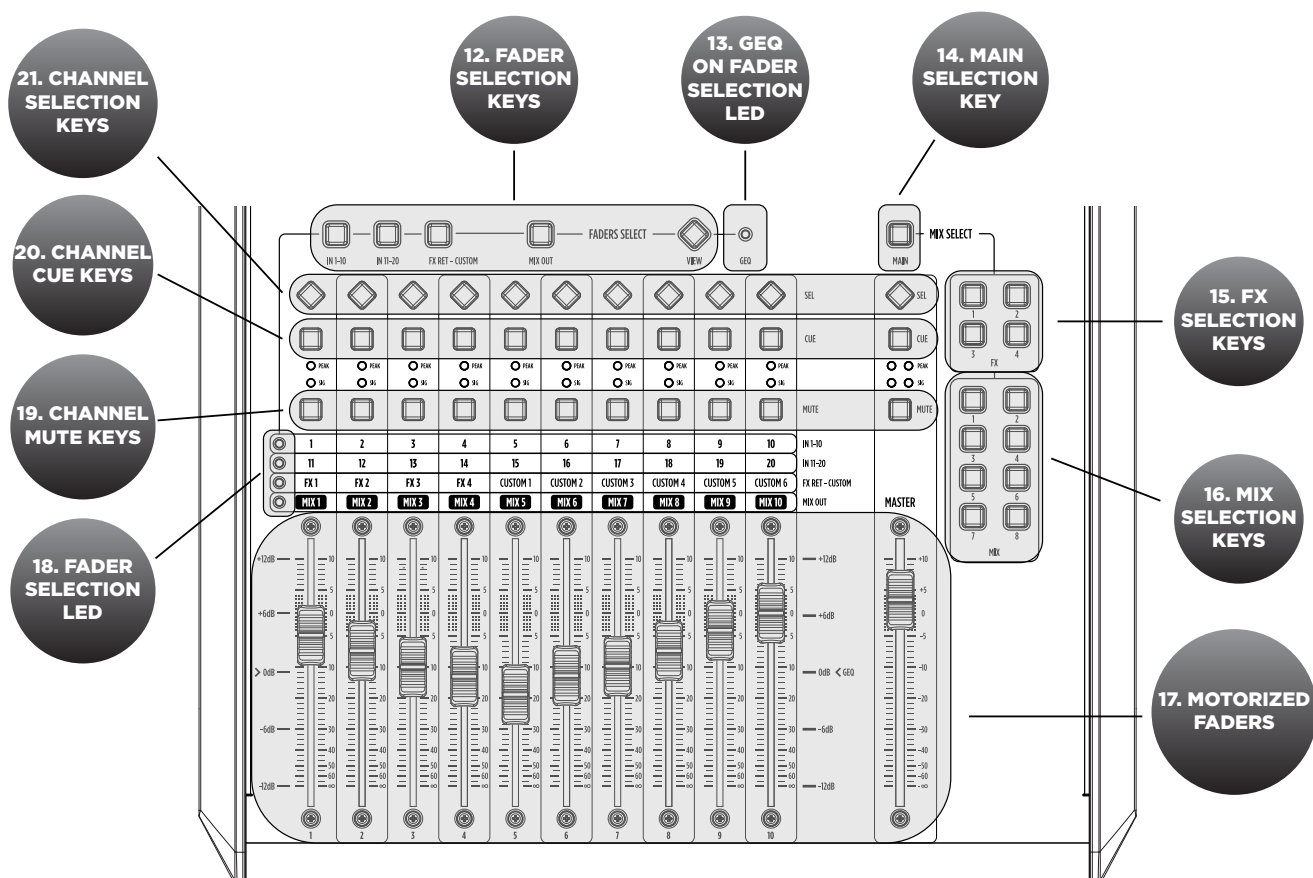
10. PARAMETERS EDIT ENCODERS

5 dedicated encoders allow an intuitive and immediate control of each function and parameter on the screen.

11. USER KEYS

A set of 8 User Keys with extensive programming option are always available, and offers immediate control of scene selection, play/record transport, tap tempo, user interface shortcuts.

FRONT PANEL - LOWER SECTION



12. FADER SELECTION KEYS

4 layers of faders assignments allow immediate access to input channels 1-10 and 11-20, to FX returns and outputs.

13. GEQ ON FADER SELECTION LED

This LED lights up when the function Graphic EQ on Fader is enabled.

14. MAIN SELECTION KEY

The control surface can be assigned to the stereo MAIN mix buss; the MASTER fader is always associated to the output level of the selected bus.

15. FX SELECTION KEYS

The control surface can be assigned to 4 FX busses; the MASTER fader is always associated to the output level of the selected bus.

16. MIX SELECTION KEYS

The control surface can be assigned to 8 MIX busses; the MASTER fader is always associated to the output level of the selected bus.

17. MOTORIZED FADERS

11 x 100-mm motorized faders allow precise mix control with immediate visual feedback. Special care has been taken to minimize movement noise.

18. FADER SELECTION LED

These 4 leds light to show the current assigned layer of faders.

19. CHANNEL MUTE KEYS

MUTE buttons when pressed inhibit the signal to flow to output bus or main mix paths.

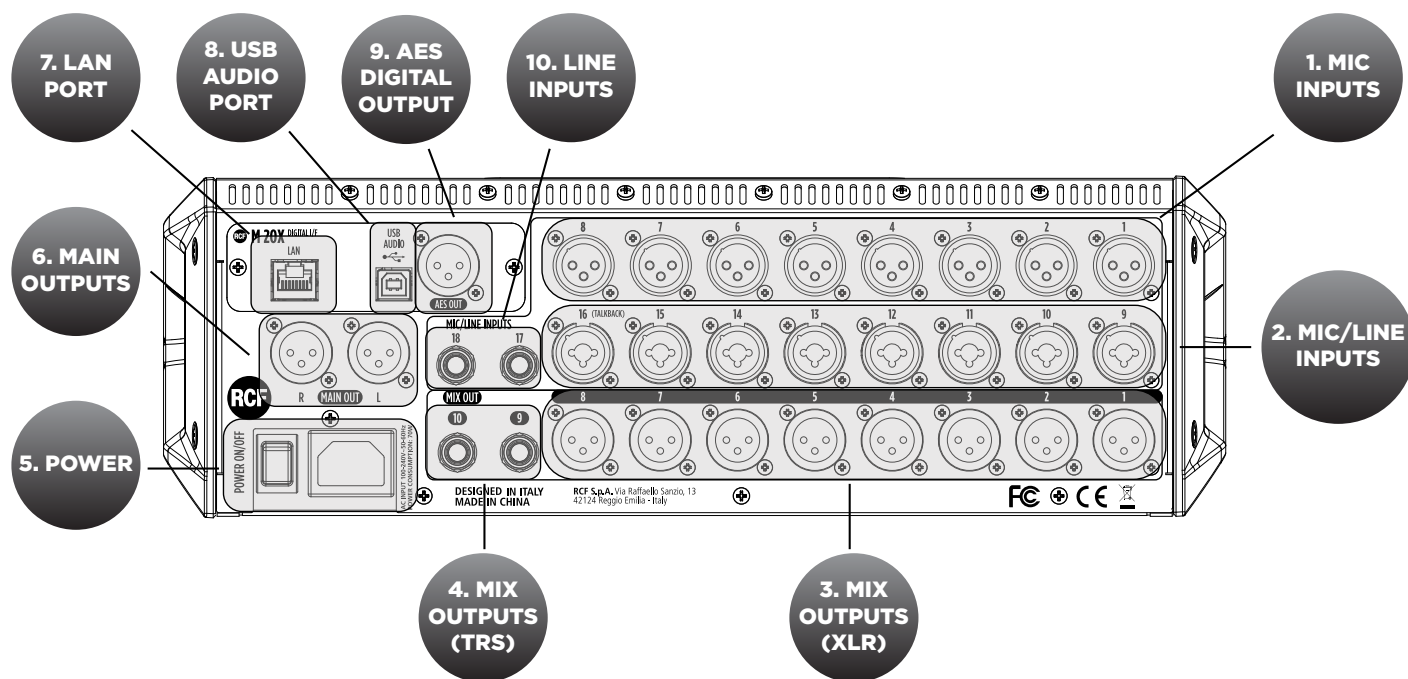
20. CHANNEL CUE KEYS

The CUE keys allow to listen the signal present on the channel, through the cue bus routed to PHONES OUTPUT. All audio paths can be monitored at any time via the CUE bus, which features a real-time analyzer (RTA).

21. CHANNEL SELECTION KEYS

The SELECTION KEYS allow an intuitive and immediate navigation through channel functions and parameters.

BACK PANEL

**1. MIC INPUTS 1-8 FEMALE XLR**

Connect your Microphones to these remotely controlled 60dB gain-range inputs. Use balanced XLR cables to obtain best performance from your microphones.

2. MIC/LINE INPUTS 9-16 COMBO

Input 9 to 16 provide Mic inputs on the XLR connection and Line inputs on the TRS jack connection.

3. MIX OUTPUTS 1-8 MALE XLR

Connect to these +24dBu balanced XLR outputs your stage monitors or external effects.

4. MIX OUTPUTS 9-10 TRS

Connect to these +24dBu balanced TRS outputs your stage monitors or external effects.

5. POWER

Use this switch to turn On and Off your M 20X device. Connect to the VDE inlet the provided power cord.

6. MAIN OUTPUT

Connect your active speaker or your amplifier, in case of passive speakers, to these +24dBu balanced Output.

7. LAN PORT

The mixer can be remotely controlled via LAN, and an external Wi-Fi Access Point can be connected to the LAN port to communicate with remote control apps running on iOS and Android.

8. USB AUDIO PORT

A 24-track, 24-bit, 48-kHz audio interface is available and allows access to all inputs and several internal signal nodes. Extensive routing options allow both offline soundcheck and host-based effects processing.

9. AES DIGITAL OUTPUT

Connect here any AES device. Each of the audio output paths is routable to the AES port.

10. LINE INPUTS 17-18 TRS

Connect here your line level sources like keyboard, external audio device or other small analog consoles used for submix.

RCF **M 20X** DIGITAL MIXER

FEATURES

20 input channel, 14 mix busses.

In detail:

16 preamp inputs (8 Mic + 8 Mic/Line)

4 auxiliary line inputs

12 balanced outputs + phones

AES digital output

20-Tracks SD card Rec/Play

Stereo USB drive Play/Rec (WAV, MP3, AIFF)

24 x 24 USB Audio Interface (24-bit/48kHz)

28 x 16 Mixing matrix

LAN / WiFi control, up to 10 clients with external access point

M 20X Digital Mixer offers all-in-one mixing, processing and routing capabilities, including a comprehensive set of recording and playback functions. The User Interface has been designed so that every parameter is reachable within a few operations. M 20X is equipped with 20 analog inputs (16 of which are with remote controlled preamps) and 14 output channels, between the balanced analog outputs and the AES digital output.

A fast reacting 5-inch capacitive touchscreen, 5 dedicated encoders and 4 menu keys allow an intuitive and immediate control of every function and parameter. You have full control of your live mix, all within one of the most compact systems on the market.

Each of the 20 inputs features a 12 dB/oct HPF, noise gate, a compressor/de-esser (inputs 1-16 only), a flexible 4-band parametric EQ, and a delay line. The source can be selected between the analog input, the USB audio interface and the SD card player.

M 20X boast 4 stereo FX engines available on dedicated busses, offering two high quality digital reverbs, a programmable delay and a 4th effect which can be configurated as a modulation or a second delay. All FX Engines offer multiple algorithms to match the specific needs of a show.

A complete processing section is available on all outputs: a flexible 8-band parametric EQ with several selectable modes, that also allow different slopes, a delay with up to 85 meters compensation, a compressor/limiter. A stereo 30-band graphic equalizer is available on the MAIN outputs for precise correction of the overall frequency response. Extensive routing options allows flexible use of physical outputs.

RCF M 20X DIGITAL MIXER

SETUP

This section explains how to set up the M 20X digital mixer the first time you turn it on.

Configure Mixer Menu

Press the SYSTEM key, go to the UTILITIES > CONFIG MIXER page, and set the M 20X boot mode.

If LAST STATUS is enabled, at power-up the M 20X will load all the settings available before turning off the unit. This is the preferred option. If LAST STATUS is disabled, the mixer will boot with the default initialization.

If you press and hold the FACTORY RESET button, you can reset the console to the default initialization, erasing the current show, every stored show and every stored preset.

If you want to initialize the console and maintain your saved shows, presets and global settings, press the SYSTEM key and on the page SHOW, hold pressed DEFAULT option.

A SHOW includes all parameters pertaining to inputs, outputs and IO Routing, except the global configuration parameters. For details on the Faders Calibration and Brightness adjustment, please refer to the Owner's manual.

I/O Routing

The M 20X console offers versatile routing capabilities to easily manage all inputs and outputs, including the USB audio interface and the internal players and recorders.

Direct Patches are internal intermediate routing points that can be routed to multiple destinations.

To reset routing settings, go to the I/O ROUTING > ROUTING PRESET page, then press and hold the DEFAULT button. All routing options will be reset as detailed below.

Default INPUTS routing

CH 01	Analog IN 1
CH 02	Analog IN 2
CH 03	Analog IN 3
CH 04	Analog IN 4
CH 05	Analog IN 5
CH 06	Analog IN 6
CH 07	Analog IN 7
CH 08	Analog IN 8
CH 09	Analog IN 9
CH 10	Analog IN 10
CH 11	Analog IN 11
CH 12	Analog IN 12
CH 13	Analog IN 13
CH 14	Analog IN 14
CH 15	Analog IN 15
CH 16	Analog IN 16
CH 17	Analog IN 17
CH 18	Analog IN 18
CH 19	Analog IN 19
CH 20	Analog IN 20
FX1 RET	Internal FX – Reverb 1
FX2 RET	Internal FX – Reverb 2
FX3 RET	Internal FX – Delay 1
FX4 RET	Internal FX – Modulation

Default OUTPUTS routing

MIX OUT 01	MIX BUS 01
MIX OUT 02	MIX BUS 02
MIX OUT 03	MIX BUS 03
MIX OUT 04	MIX BUS 04
MIX OUT 05	MIX BUS 05
MIX OUT 06	MIX BUS 06
MIX OUT 07	MIX BUS 07
MIX OUT 08	MIX BUS 08
MIX OUT 09	MAIN OUT L PFL
MIX OUT 10	MAIN OUT R PFL
AES OUT L	MAIN OUT L PFL
AES OUT R	MAIN OUT R PFL
PHONES L	MAIN OUT L PFL
PHONES R	MAIN OUT R PFL

Default REC OUTS routing (SD Card REC Channels)

TRACK 01	DIRECT PATCH 01
TRACK 02	DIRECT PATCH 02
TRACK 03	DIRECT PATCH 03
TRACK 04	DIRECT PATCH 04
TRACK 05	DIRECT PATCH 05
TRACK 06	DIRECT PATCH 06
TRACK 07	DIRECT PATCH 07
TRACK 08	DIRECT PATCH 08
TRACK 09	DIRECT PATCH 09
TRACK 10	DIRECT PATCH 10
TRACK 11	DIRECT PATCH 11
TRACK 12	DIRECT PATCH 12
TRACK 13	DIRECT PATCH 13
TRACK 14	DIRECT PATCH 14
TRACK 15	DIRECT PATCH 15
TRACK 16	DIRECT PATCH 16
TRACK 17	DIRECT PATCH 17
TRACK 18	DIRECT PATCH 18
TRACK 19/Stereo L	MAIN OUT L PFL
TRACK 20/Stereo R	MAIN OUT R PFL

Default DIRECT PATCH routing

DIRECT PATCH 01	PRE EQ
DIRECT PATCH 02	PRE EQ
DIRECT PATCH 03	PRE EQ
DIRECT PATCH 04	PRE EQ
DIRECT PATCH 05	PRE EQ
DIRECT PATCH 06	PRE EQ
DIRECT PATCH 07	PRE EQ
DIRECT PATCH 08	PRE EQ
DIRECT PATCH 09	PRE EQ
DIRECT PATCH 10	PRE EQ
DIRECT PATCH 11	PRE EQ
DIRECT PATCH 12	PRE EQ
DIRECT PATCH 13	PRE EQ
DIRECT PATCH 14	PRE EQ
DIRECT PATCH 15	PRE EQ
DIRECT PATCH 16	PRE EQ
DIRECT PATCH 17	PRE EQ
DIRECT PATCH 18	PRE EQ
DIRECT PATCH 19	PRE EQ
DIRECT PATCH 20	PRE EQ

Default STREAM OUTPUTS routing (USB audio interface upstreaming tracks)

CH 01	DIRECT PATCH 01
CH 02	DIRECT PATCH 02
CH 03	DIRECT PATCH 03
CH 04	DIRECT PATCH 04
CH 05	DIRECT PATCH 05
CH 06	DIRECT PATCH 06
CH 07	DIRECT PATCH 07
CH 08	DIRECT PATCH 08
CH 09	DIRECT PATCH 09
CH 10	DIRECT PATCH 10
CH 11	DIRECT PATCH 11
CH 12	DIRECT PATCH 12
CH 13	DIRECT PATCH 13
CH 14	DIRECT PATCH 14
CH 15	DIRECT PATCH 15
CH 16	DIRECT PATCH 16
CH 17	Analog IN 17
CH 18	Analog IN 18
CH 19	Analog IN 19
CH 20	Analog IN 20
CH 21	FX SEND 01
CH 22	FX SEND 02
CH 23	FX SEND 03
CH 24	FX SEND 04

For details on the I/O Routing options, please refer to the Reference Guide

RCF M 20X DIGITAL MIXER



AVVERTENZE PER LA SICUREZZA

1. Leggere con attenzione tutte le avvertenze, in particolare quelle relative alla sicurezza, dato che riportano informazioni molto importanti. Conservate queste istruzioni in un luogo sicuro.



AVVERTENZA: al fine di evitare il rischio di incendio o di scossa elettrica, non esporre mai il prodotto a pioggia o umidità.

2. ALIMENTAZIONE ALLA RETE ELETTRICA

- La tensione della rete elettrica è sufficientemente elevata da provocare folgorazione; installare e collegare il dispositivo prima di collegarlo alla rete elettrica.
- Prima di accendere il dispositivo verificare che tutti i collegamenti siano stati effettuati in modo corretto.
- Le parti metalliche dell'unità sono collegate a terra attraverso il cavo di alimentazione. Questo è un dispositivo di CLASSE1 e deve essere collegato a una presa dotata di messa a terra.
- Proteggere il cavo di alimentazione da possibili danneggiamenti; assicurarsi che sia posizionato in modo da non essere calpestato o schiacciato da altri oggetti.
- Onde evitare il rischio di scosse elettriche, non aprire mai il prodotto: esso non contiene parti a cui l'utente possa avere necessità di accedere.

3. Evitare l'introduzione di corpi estranei o liquidi all'interno del dispositivo poiché potrebbero provocare cortocircuiti. Il dispositivo non deve essere esposto a spruzzi o gocciolamenti. Non collocare sul dispositivo oggetti pieni di liquidi, per esempio vasi o bicchieri. Non collocare sul dispositivo fiamme libere, per esempio candele.

4. Non tentare di eseguire operazioni, modifiche o riparazioni che non siano espressamente descritte in questo manuale. Rivolgersi a un centro di assistenza autorizzato qualora dovesse verificarsi uno dei seguenti casi:

- Il dispositivo non funziona (o funziona in maniera anomala).
- Il cavo di alimentazione è stato danneggiato.
- Corpi estranei o liquidi sono penetrati nel dispositivo.
- Il dispositivo ha subito un impatto violento.

5. Scollegare il dispositivo in previsione di un periodo di inutilizzo prolungato.

6. Spegnerne immediatamente il dispositivo e scollegarlo qualora si osservino emissioni di fumo o odori anomali.

7. Non collegare il dispositivo ad apparecchiature o ad accessori diversi da quelli appositamente previsti. Verificare sempre l'idoneità della superficie dove si voglia appoggiare il prodotto.

8. Supporti e accessori.

L'apparecchiatura deve essere utilizzata esclusivamente su supporti e accessori di montaggio del tipo raccomandato dal fabbricante, ove necessario.

9. Perdita dell'udito.

L'esposizione a livelli sonori elevati può provocare una perdita permanente dell'udito. Il livello di pressione sonora pericolosa per l'udito varia sensibilmente da persona a persona e dipende dalla durata dell'esposizione. Per evitare esposizioni potenzialmente pericolose a livelli elevati di pressione sonora è necessario fare uso di protezioni adeguate.

10. Corretto smaltimento del prodotto.

Questo simbolo indica che il prodotto non può essere smaltito assieme ai normali rifiuti di casa in accordo con la Direttiva WEEE (2012/19/EU) e le leggi nazionali. Questo prodotto deve essere portato in un centro di raccolta abilitato al riciclo di rifiuti elettrici ed elettronici (EEE).

La cattiva gestione di questo tipo di rifiuti può avere un possibile impatto negativo sull'ambiente e la salute a causa delle sostanze potenzialmente pericolose generalmente associate a prodotti elettrici ed elettronici (EEE). Contemporaneamente, la collaborazione nel corretto smaltimento di questo prodotto contribuirà ad un uso efficiente delle risorse naturali. Per maggiori informazioni su dove smaltire i rifiuti per il riciclo contatti i suoi uffici locali o il servizio di raccolta rifiuti domestici.



NOTE IMPORTANTI

Al fine di prevenire la produzione di rumore sui cavi di segnale, utilizzare esclusivamente cavi schermati ed evitare di collocarli nelle vicinanze di:

- Apparecchiature che producono campi elettromagnetici di alta intensità
- Cavi di alimentazione
- Linee di Potenza di altoparlanti
- Posizionare il dispositivo lontano da fonti di calore e assicurare sempre un'adeguata circolazione dell'aria attorno ad esso.
- Non sottoporre il prodotto a sovraccarichi prolungati.
- Non forzare mai i comandi come pulsanti o interruttori o manopole.
- Non utilizzare solventi, alcool, benzene o altre sostanze volatili per la pulizia delle parti esterne del dispositivo.



NOTE IMPORTANTI

Leggere con cura e attenzione questo manuale prima di connettere ed utilizzare il dispositivo e tenere il manuale a portata di mano per future consultazioni. Il manuale è parte integrante del prodotto e lo deve accompagnare sempre anche in caso di cambio di proprietà come riferimento per una corretta installazione ed uso e per le norme di sicurezza. RCF S.p.A. non si assumerà nessuna responsabilità per una non corretta installazione e/o non corretto utilizzo del dispositivo.



NOTE LEGALI

RCF S.p.A. non si assume alcuna responsabilità per eventuali perdite che potrebbero essere subite da persone che abbiano fatto affidamento interamente o parzialmente a qualsivoglia descrizione, fotografia o dichiarazione contenuta nel presente. Le specifiche tecniche, le immagini, e altre informazioni sono soggette a modifiche senza preavviso. Tutti i marchi eventualmente citati sono di proprietà dei rispettivi titolari.

RCF M 20X DIGITAL MIXER

PROGETTATO PER I TECNICI AUDIO

MANUALE

Questo manuale è concepito per dare all'utente le informazioni necessarie al primo utilizzo del Mixer Digitale RCF M 20X. Seguire accuratamente questo manuale per un corretto utilizzo del dispositivo RCF M 20X.

Per scaricare la versione completa del Manuale Utente, visita la pagina SUPPORT nella sezione M SERIES del nostro sito <http://mixer.rcf.it>

COSA È PRESENTE NELL'IMBALLO:

1. Questo manuale

Leggere con cura questo manuale prima di iniziare ad utilizzare il Mixer Digitale RCF M 20X.

2. Certificato di Garanzia

Leggere accuratamente il Certificato di Garanzia. Consente di estendere di un anno la normale Garanzia del prodotto registrando il prodotto al sito: www.rcf.it/product-registration

3. Foglio delle Avvertenze

Leggere con cura il foglio delle avvertenze per evitare qualsiasi danno a persone, cose o al prodotto stesso durante il suo utilizzo.

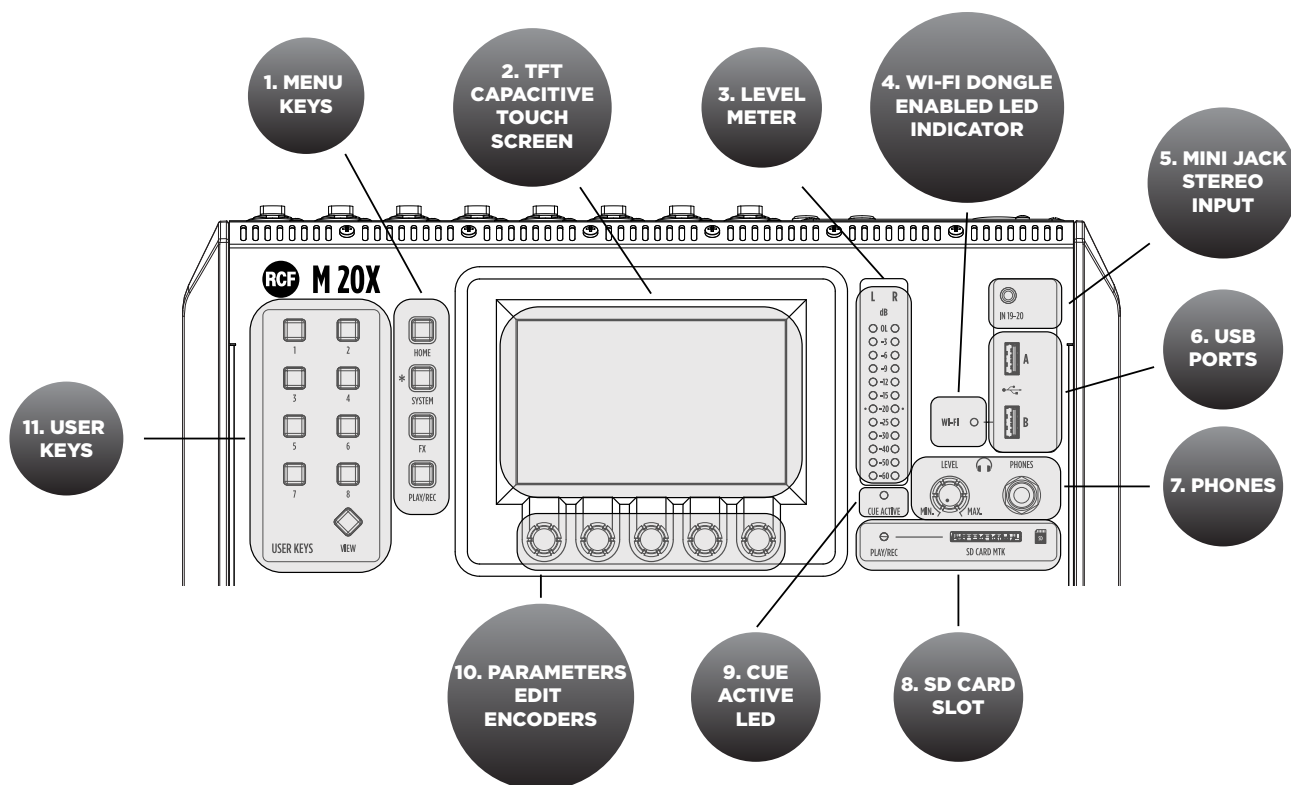
4. Mixer Digitale RCF M 20X

5. Cavo di alimentazione

Ogni M 20X è provvisto del cavo di alimentazione necessario nella regione di utilizzo.

RCF M 20X DIGITAL MIXER

PANNELLO FRONTALE - SEZIONE SUPERIORE



1. PULSANTI MENU

4 tasti menu consentono una navigazione intuitiva e immediata attraverso le pagine del menu.

2. TOUCH SCREEN TFT CAPACITIVO

Un touchscreen TFT da 5 pollici altamente reattivo offre una navigazione intuitiva di tutte le funzioni disponibili e può essere opzionalmente abbinato a un tablet esterno per aumentare l'interazione con l'M 20X.

3. LEVEL METER

Questo misuratore di livello a 12 elementi LED consente in genere di controllare il livello di uscita del mix principale. Quando viene premuto un pulsante CUE del canale, il misuratore di livello mostra il livello PFL presente nel canale selezionato. Mantenere il livello di ingresso sotto l'indicazione "-20" per evitare segnali sovraccaricati che possono causare distorsione.

4. INDICATORE LED ABILITAZIONE WI-FI DONGLE

Questo led si accende quando è abilitata la funzione WI-FI AP per la porta USB "B".

5. INGRESSO STEREO 19-20 MINI JACK

Collega qui le tue sorgenti stereo di livello "linea" come smartphone, laptop o altri dispositivi audio esterni.

6. PORTE USB

Sono disponibili due porte host USB sul pannello superiore per dongle WiFi, dispositivi USB-MIDI e dispositivi di archiviazione di massa USB che possono essere utilizzati per registrazione / riproduzione audio stereo, backup del sistema e aggiornamenti del firmware.

7. PHONES

Collega le tue cuffie qui sia per l'ascolto CUE che per l'ascolto del mix principale.

8. SLOT SD CARD

Un registratore multitraccia integrato su scheda SD offre un massimo di 20 tracce simultanee a 24-bit, 48 kHz, con complete opzioni di routing.

9. CUE ACTIVE LED

Questo led si accende quando si preme uno o più pulsanti CUE.

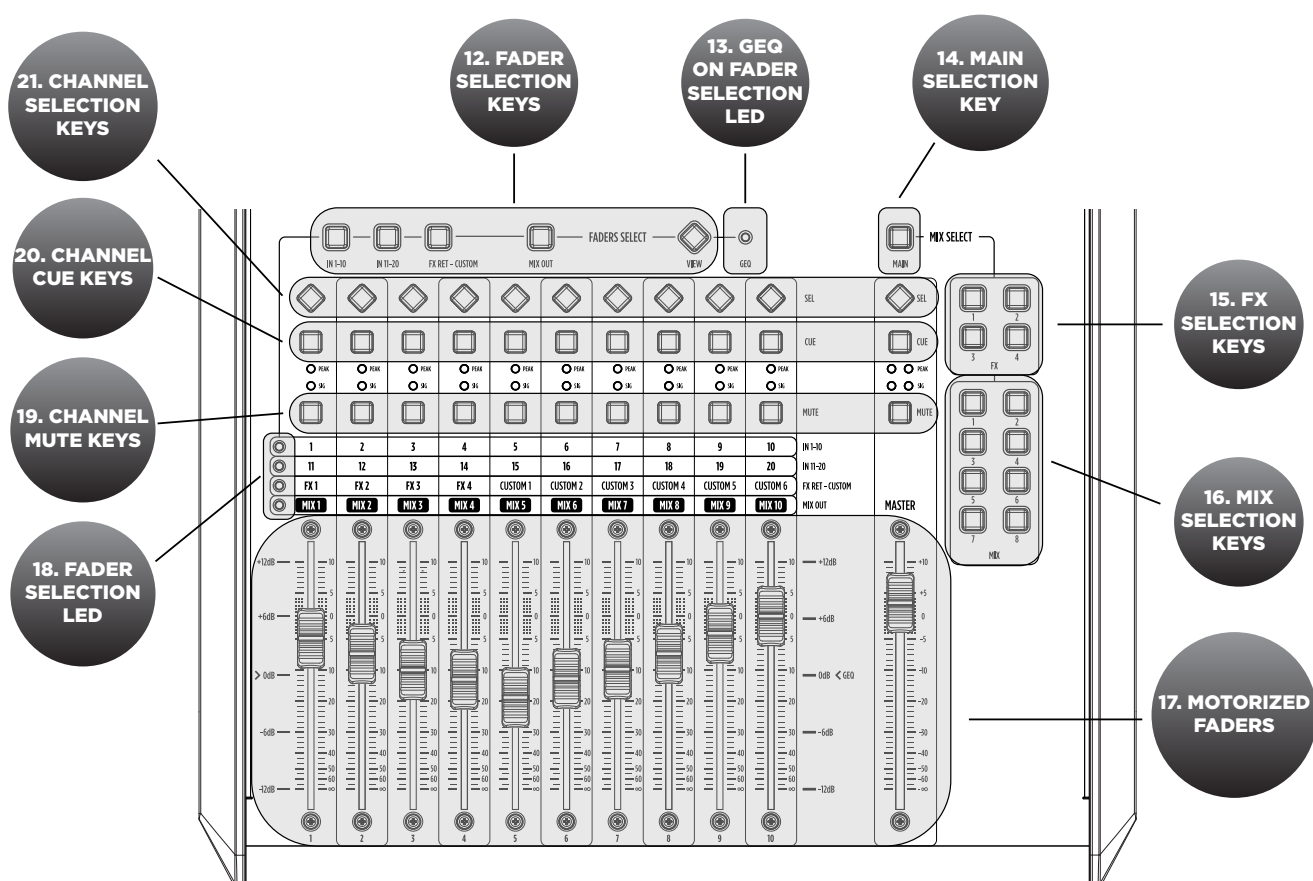
10. ENCODERS PER L'EDIT DEI PARAMETRI

5 encoder dedicati consentono un controllo intuitivo e immediato di ogni funzione e parametro sullo schermo.

11. USER KEYS

Un set di 8 tasti definibili dall'utente con ampie opzioni di programmazione è sempre disponibile e offre un controllo immediato sulla selezione delle scene, il trasporto di riproduzione / registrazione, il tap tempo, le shortcuts dell'interfaccia utente.

PANNELLO FRONTALE - SEZIONE INFERIORE



12. PULSANTI DI SELEZIONE FADER

4 livelli di assegnazioni di fader consentono l'accesso immediato ai canali di ingresso 1-10 e 11-20, ai ritorni e alle uscite FX.

13. LED DI SELEZIONE FUNZIONE GEQ ON FADER SELECTION

Questo LED si illumina quando la funzione graphic EQ on Fader è abilitata.

14. PULSANTE DI SELEZIONE MAIN

La superficie di controllo può essere assegnata al bus di MAIN mix stereo; il fader MASTER è sempre associato al livello di uscita del bus selezionato.

15. PULSANTE DI SELEZIONE FX

La superficie di controllo può essere assegnata a 4 FX busses; il fader MASTER è sempre associato al livello di uscita del bus selezionato.

16. PULSANTE DI SELEZIONE MIX

La superficie di controllo può essere assegnata agli 8 MIX busses; il fader MASTER è sempre associato al livello di uscita del bus selezionato.

17. FADERS MOTORIZZATI

Gli 11 fader motorizzati da 100 mm consentono un controllo preciso del mix consentendo un feedback visivo immediato. È stata prestata particolare attenzione a ridurre al minimo il rumore meccanico del movimento.

18. LED DI SELEZIONE FADERS

Questi 4 led si accendono per mostrare il corrente layer assegnato ai fader.

19. PULSANTI DI MUTE DEI CANALI

I pulsanti MUTE, quando premuti, inibiscono il flusso del segnale verso i busses di uscita o il percorso di MAIN mix.

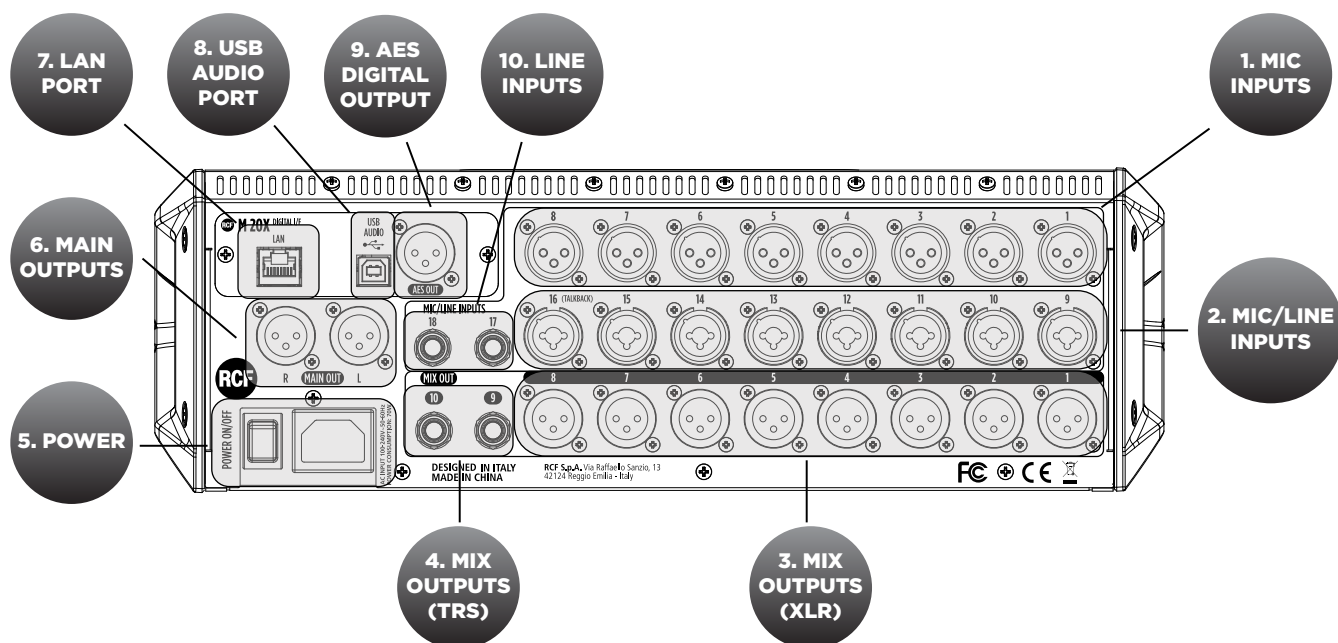
20. PULSANTI DI CUE DEI CANALI

I tasti CUE consentono di ascoltare il segnale presente sul canale, attraverso il bus di CUE indirizzato a PHONES OUTPUT. Tutti i percorsi audio possono essere monitorati in qualsiasi momento tramite il bus CUE, che dispone di un analizzatore di spettro in tempo reale (RTA).

21. PULSANTE DI SELEZIONE DEI CANALI

I tasti di selezione consentono una navigazione intuitiva e immediata attraverso i parametri e le funzioni del canale.

PANNELLO POSTERIORE

**1. INGRESSI MIC 1-8 XLR FEMMINA**

Collega i tuoi microfoni a questi ingressi con guadagno da 60 dB controllabili in remoto. Per ottenere le migliori prestazioni dai microfoni, utilizzare cavi XLR bilanciati.

2. INGRESSI MIC/LINEA 9-16 COMBO

Gli ingressi da 9 a 16 forniscono ingressi Microfonici sulla connessione XLR e ingressi Linea sulla connessione jack TRS.

3. USCITE MIX 1-8 XLR MASCHIO

Collega a queste uscite XLR bilanciate a +24dBu i tuoi monitor da palco o i tuoi effetti esterni.

4. USCITE MIX 9-10 TRS

Collega a questi output TRS bilanciati a +24dBu i tuoi monitor da palco o i tuoi effetti esterni.

5. POWER

Usa questo interruttore per accendere e spegnere M 20X. Collega all'ingresso VDE il cavo di alimentazione fornito a corredo.

6. USCITA MAIN XLR MASCHIO

Collega a questi output bilanciati a +24 dBu, i tuoi altoparlanti attivi o il tuo amplificatore, in caso di altoparlanti passivi.

7. PORTA LAN

È possibile collegare qui un access point Wi-Fi esterno per configurazioni di comunicazione avanzate. Questa porta è pensata anche per le applicazioni future.

8. PORTA USB AUDIO

È disponibile un'interfaccia audio a 24 tracce, 24 bit, 48 kHz che consente l'accesso a tutti gli ingressi e a diversi percorsi di segnale interni. Le numerose opzioni di routing consentono sia il controllo del soundcheck offline che l'elaborazione di effetti esterni basati su host.

9. USCITA AES DIGITAL

Connetti qui qualsiasi dispositivo AES. Ciascuno dei percorsi di uscita audio è indirizzabile alla porta AES.

10. INGRESSI LINEA 17-18 TRS

Collega qui le tue fonti a livello di linea: tastiere, dispositivi audio esterni o console analogiche usate per il submix.

RCF M 20X DIGITAL MIXER

FEATURES

20 canali input, 14 mix busses.

In dettaglio:

16 ingressi preamp (8 Mic + 8 Mic/Line)

4 ingressi di linea ausiliari

12 uscite bilanciate + 1 uscita cuffia

Uscita digitale AES

20-Tracce di REC/PLAY su SD card

USB Play/Rec Audio Stereo (WAV, MP3, AIFF)

Interfaccia Audio 24 x 24 su USB host (24-bit/48kHz)

Matrice di mixing 28 x 16

Controllo LAN / WiFi, fino a 10 clients contemporanei con access point esterno

M 20X Digital Mixer offre funzionalità integrate di mixaggio, elaborazione e routing, incluso un set completo di funzioni di registrazione e riproduzione audio. L'interfaccia utente è stata progettata in modo tale che ogni parametro sia raggiungibile in poche operazioni. M 20X è dotato di 20 ingressi analogici (16 dei quali con preamplificatori controllabili in remoto) e 14 canali di uscita: uscite analogiche bilanciate e un'uscita digitale AES.

Un touchscreen capacitivo molto reattivo da 5 pollici, 5 encoder dedicati e 4 tasti menu consentono un controllo intuitivo e immediato di ogni funzione e parametro. Hai il pieno controllo del tuo mix live, il tutto in uno dei sistemi più compatti sul mercato.

Ciascuno dei 20 ingressi dispone di un HPF da 12 dB / ott, noise gate, un compressore / de-esser (solo ingressi 1-16), un EQ parametrico flessibile a 4 bande e una linea di ritardo. La sorgente può essere selezionata tra gli ingressi analogici, l'interfaccia audio USB e il lettore di schede SD.

M 20X vanta 4 FX stereo interni che dispongono di bus dedicati, offrendo due riverberi digitali di alta qualità, un ritardo programmabile e un quarto effetto che può essere configurato come una modulazione o un secondo ritardo. Tutti gli FX interni offrono vari algoritmi per soddisfare le esigenze specifiche di uno spettacolo.

Su tutte le uscite è disponibile una sezione di elaborazione completa: un EQ parametrico flessibile a 8 bande con diverse modalità selezionabili, che consentono anche differenti pendenze di filtro, un ritardo per una compensazione fino a 85 metri, un compressore / limitatore. Un equalizzatore grafico stereo a 30 bande è disponibile sulle uscite MAIN mix per una correzione precisa della risposta in frequenza complessiva.

Le ampie opzioni di routing consentono un uso flessibile delle uscite fisiche.

RCF M 20X DIGITAL MIXER

SETUP

Questa sezione espone come configurare il mixer digitale M 20X la prima volta in cui viene acceso.

Configurazione del Mixer

Premere il tasto SYSTEM e, sulla schermata, UTILITIES > CONFIG MIXER, impostare la modalità di avvio della console M 20X. Abilitando l'opzione LAST STATUS, M 20X si avvierà con le impostazioni presenti al momento dello spegnimento. Viceversa, quando questa opzione è disabilitata, il mixer si avvierà con l'inizializzazione predefinita.

È possibile ripristinare la console in qualsiasi momento tenendo premuto il tasto FACTORY RESET. La reimpostazione della console cancella lo SHOW corrente, tutti gli SHOW e i PRESET memorizzati.

Se si desidera inizializzare la console mantenendo i programmi, i preset e le impostazioni globali, premere il tasto SYSTEM e sulla pagina SHOW, tenere premuto il tasto DEFAULT.

Uno SHOW include tutti i parametri relativi a input, output e I/O Routing, ad eccezione dei parametri di configurazione globali.

Per dettagli sulla taratura dei fader e regolazione della luminosità, fare riferimento al Manuale utente.

Assegnazioni I/O

La console M 20X offre versatili funzionalità di routing per gestire facilmente tutti gli ingressi e tutte le uscite inclusa l'interfaccia audio USB e il player e recorder interno.

Le Direct Patches sono punti interni di routing che possono essere indirizzati su destinazioni multiple.

Per ripristinare le impostazioni di routing andare alla schermata I/O ROUTING > ROUTING PRESET e tenere premuto il tasto DEFAULT. Tutte le opzioni di routing saranno ripristinate come mostrato nelle seguenti tabelle.

Assegnazioni di default degli INGRESSI

CH 01	Analog IN 1
CH 02	Analog IN 2
CH 03	Analog IN 3
CH 04	Analog IN 4
CH 05	Analog IN 5
CH 06	Analog IN 6
CH 07	Analog IN 7
CH 08	Analog IN 8
CH 09	Analog IN 9
CH 10	Analog IN 10
CH 11	Analog IN 11
CH 12	Analog IN 12
CH 13	Analog IN 13
CH 14	Analog IN 14
CH 15	Analog IN 15
CH 16	Analog IN 16
CH 17	Analog IN 17
CH 18	Analog IN 18
CH 19	Analog IN 19
CH 20	Analog IN 20
FX1 RET	Internal FX – Reverb 1
FX2 RET	Internal FX – Reverb 2
FX3 RET	Internal FX – Delay 1
FX4 RET	Internal FX – Modulation

Assegnazioni di default delle USCITE

MIX OUT 01	MIX BUS 01
MIX OUT 02	MIX BUS 02
MIX OUT 03	MIX BUS 03
MIX OUT 04	MIX BUS 04
MIX OUT 05	MIX BUS 05
MIX OUT 06	MIX BUS 06
MIX OUT 07	MIX BUS 07
MIX OUT 08	MIX BUS 08
MIX OUT 09	MAIN OUT L PFL
MIX OUT 10	MAIN OUT R PFL
AES OUT L	MAIN OUT L PFL
AES OUT R	MAIN OUT R PFL
PHONES L	MAIN OUT L PFL
PHONES R	MAIN OUT R PFL

Assegnazioni di default di REC OUT (canali di REC su SD Card)

TRACK 01	DIRECT PATCH 01
TRACK 02	DIRECT PATCH 02
TRACK 03	DIRECT PATCH 03
TRACK 04	DIRECT PATCH 04
TRACK 05	DIRECT PATCH 05
TRACK 06	DIRECT PATCH 06
TRACK 07	DIRECT PATCH 07
TRACK 08	DIRECT PATCH 08
TRACK 09	DIRECT PATCH 09
TRACK 10	DIRECT PATCH 10
TRACK 11	DIRECT PATCH 11
TRACK 12	DIRECT PATCH 12
TRACK 13	DIRECT PATCH 13
TRACK 14	DIRECT PATCH 14
TRACK 15	DIRECT PATCH 15
TRACK 16	DIRECT PATCH 16
TRACK 17	DIRECT PATCH 17
TRACK 18	DIRECT PATCH 18
TRACK 19/Stereo L	MAIN OUT L PFL
TRACK 20/Stereo R	MAIN OUT R PFL

Assegnazioni di default delle DIRECT PATCH

DIRECT PATCH 01	PRE EQ
DIRECT PATCH 02	PRE EQ
DIRECT PATCH 03	PRE EQ
DIRECT PATCH 04	PRE EQ
DIRECT PATCH 05	PRE EQ
DIRECT PATCH 06	PRE EQ
DIRECT PATCH 07	PRE EQ
DIRECT PATCH 08	PRE EQ
DIRECT PATCH 09	PRE EQ
DIRECT PATCH 10	PRE EQ
DIRECT PATCH 11	PRE EQ
DIRECT PATCH 12	PRE EQ
DIRECT PATCH 13	PRE EQ
DIRECT PATCH 14	PRE EQ
DIRECT PATCH 15	PRE EQ
DIRECT PATCH 16	PRE EQ
DIRECT PATCH 17	PRE EQ
DIRECT PATCH 18	PRE EQ
DIRECT PATCH 19	PRE EQ
DIRECT PATCH 20	PRE EQ

Assegnazioni di default degli STREAM OUT (Tracce REC sulla interfaccia USB audio)

CH 01	DIRECT PATCH 01
CH 02	DIRECT PATCH 02
CH 03	DIRECT PATCH 03
CH 04	DIRECT PATCH 04
CH 05	DIRECT PATCH 05
CH 06	DIRECT PATCH 06
CH 07	DIRECT PATCH 07
CH 08	DIRECT PATCH 08
CH 09	DIRECT PATCH 09
CH 10	DIRECT PATCH 10
CH 11	DIRECT PATCH 11
CH 12	DIRECT PATCH 12
CH 13	DIRECT PATCH 13
CH 14	DIRECT PATCH 14
CH 15	DIRECT PATCH 15
CH 16	DIRECT PATCH 16
CH 17	Analog IN 17
CH 18	Analog IN 18
CH 19	Analog IN 19
CH 20	Analog IN 20
CH 21	FX SEND 01
CH 22	FX SEND 02
CH 23	FX SEND 03
CH 24	FX SEND 04

Per i dettagli sulle opzioni di I/O Routing, fare riferimento alla Reference Guide.

RCF M 20X DIGITAL MIXER





www.rcf.it

RCF S.p.A.
Via Raffaello Sanzio, 13
42124 Reggio Emilia - Italy
Tel +39 0522 274 411
Fax +39 0522 232 428
e-mail: info@rcf.it