

COMPACT M 08

TWO-WAY PASSIVE SPEAKER

DESCRIPTION

COMPACT M 08 is a multipurpose two-way full-range speaker system, suitable for a wide range of applications. Its balanced sound is a big asset in near-field applications for the best intelligibility. The M 08 features high sensitivity, typical of professional audio cabinets thanks to the use of oversized magnets and a HI-FI sound quality, with smooth and wide frequency response, thanks to the wave-guided compression driver. The SPL level of low-distortion audio the M 08 can provide goes far beyond expectations of such a compact solution. The elegant and compact design with accurate finishing makes M 08 suitable for almost any environment, even with architectural constraints. Optional mounting accessories allow using M 08 on wall or ceiling installations.



FEATURES

- 180W RMS power handling
- 124 dB max SPL
- 60 ÷ 20000 Hz frequency range
- 90° x 70° constant directivity coverage angle
- 1 x 8" high power woofer
- 1 x 1.4" voice coil compression driver
- High quality plywood cabinet
- Steel front grille with clothing
- Installation points available on rear, top and bottom panels
- 4 pole EUROBLOCK connector (audio input and parallel link output)

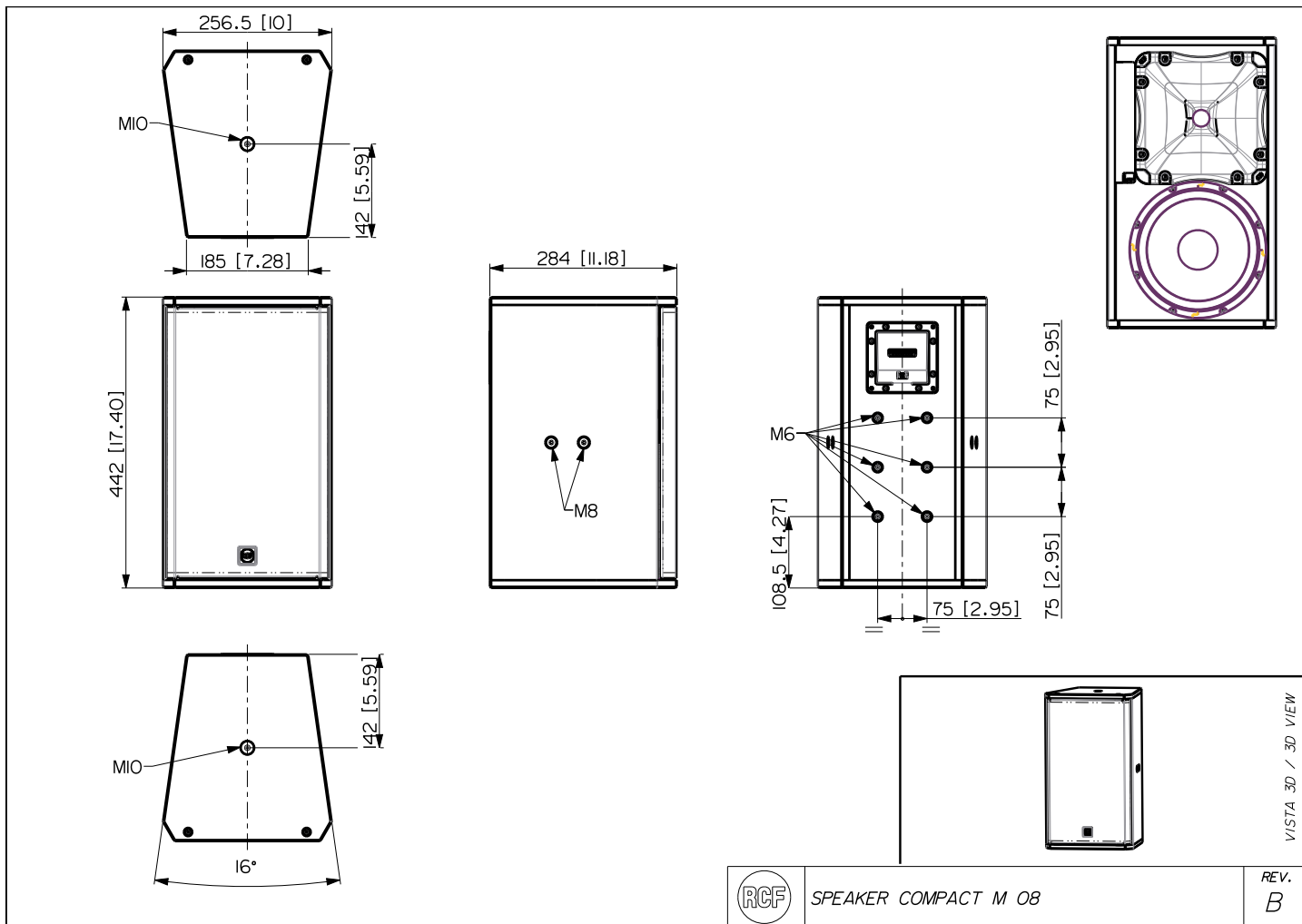
TECHNICAL SPECIFICATIONS

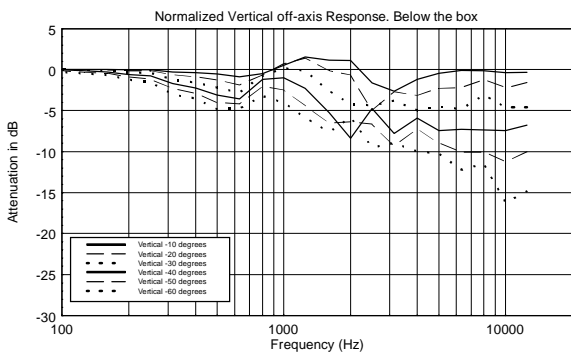
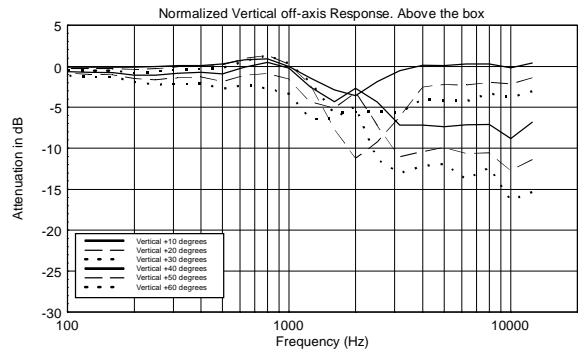
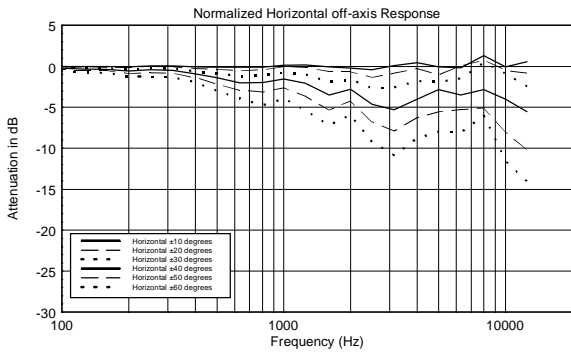
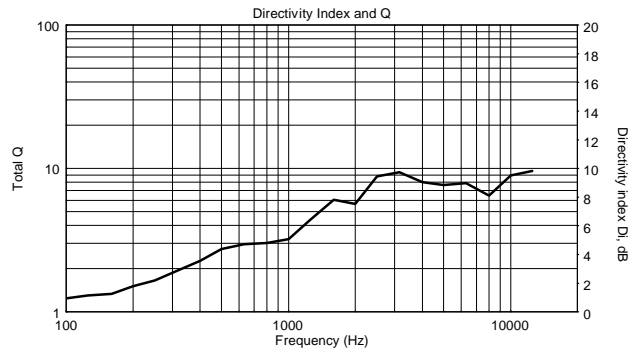
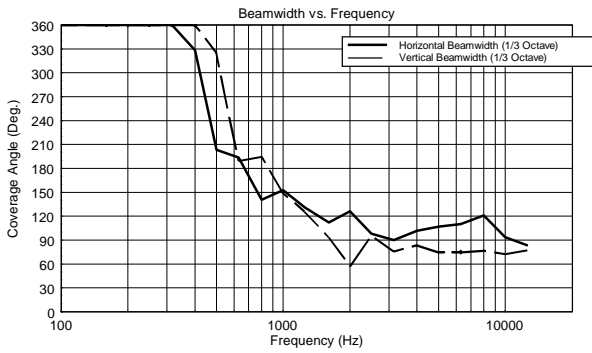
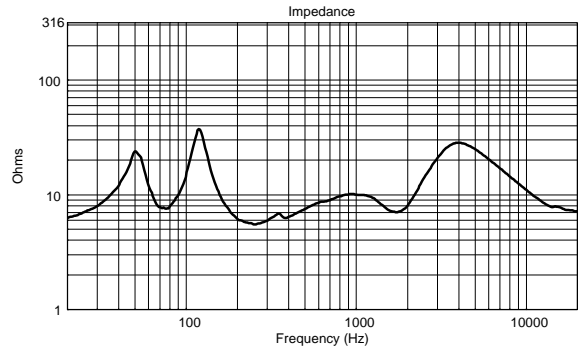
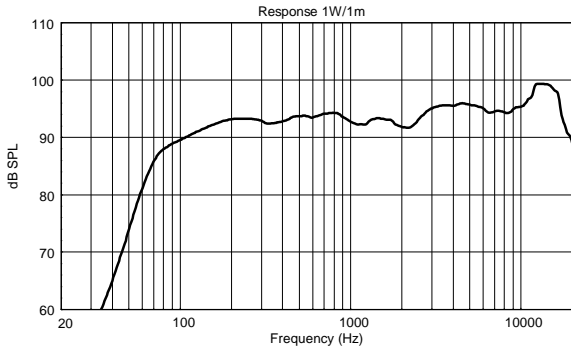
Acoustical specifications	Frequency Response (-10dB):	60 Hz ÷ 20000 Hz
	Max SPL @ 1m:	124 dB
	Horizontal coverage angle:	90°
	Vertical coverage angle:	70°
	Directivity index Q:	9
	System Sensitivity:	95 dB
Power section	Nominal Impedance (ohm):	8 ohm
	Power Handling:	200 W RMS
	Peak Power Handling:	800 W PEAK
	Recommended Amplifier:	400 W
	Protections:	Dynamic active mosfet
	Crossover Frequencies:	1800 Hz
Transducers	Compression Driver:	1 x 1.0", 1.4" v.c
	Nominal Impedance (ohm):	8 ohm
	Input Power Rating:	25 W AES, 50 W PROGRAM POWER
	Sensitivity:	107 dB, 1W @ 1m
	Woofer:	8", 1.7" v.c
	Nominal Impedance (ohm):	8 ohm
	Input Power Rating:	200 W AES, 400 W PROGRAM POWER
Sensitivity:	94 dB, 1W @ 1m	
Input/Output section	Input connectors:	Euroblock
	Output connectors:	Euroblock
Standard compliance	CE marking:	Yes
Physical specifications	Cabinet/Case Material:	Plywood
	Hardware:	6 x M6, 4 x M8, 2 x M10
	Grille:	Steel with clothing
	Color:	Black
Size	Height:	442 mm / 17.4 inches
	Width:	257 mm / 10.12 inches
	Depth:	284 mm / 11.18 inches
	Weight:	13.5 kg / 29.76 lbs
Shipping informations	Package Height:	477 mm / 18.78 inches
	Package Width:	322 mm / 12.68 inches
	Package Depth:	295 mm / 11.61 inches
	Package Weight:	16 kg / 35.27 lbs

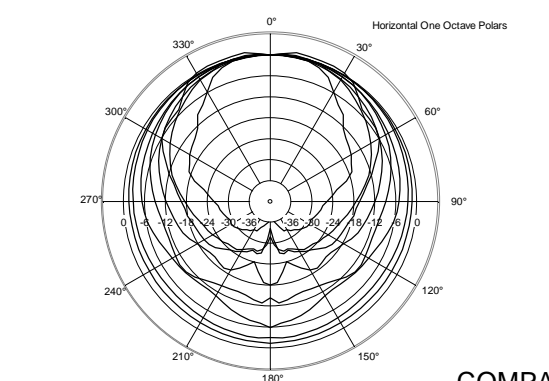
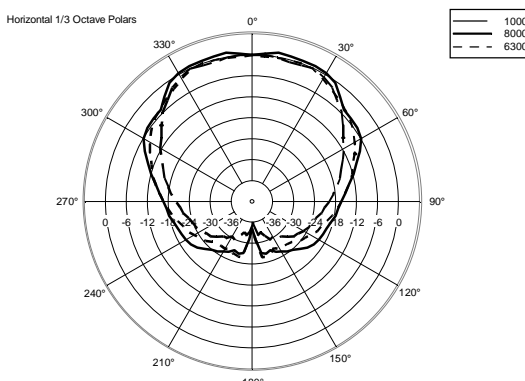
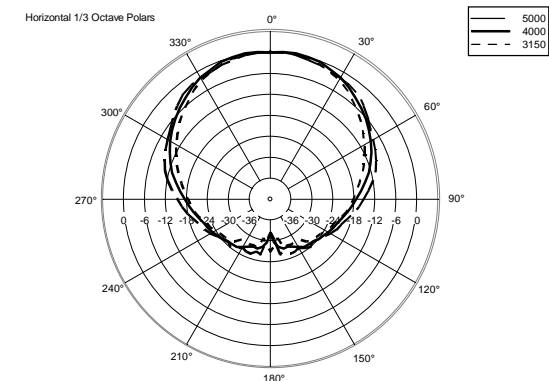
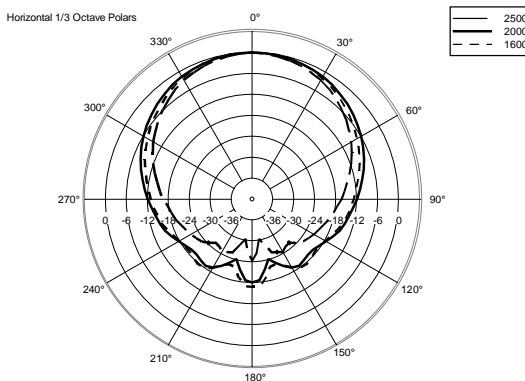
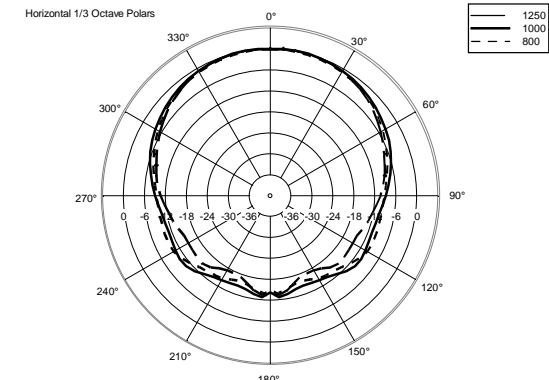
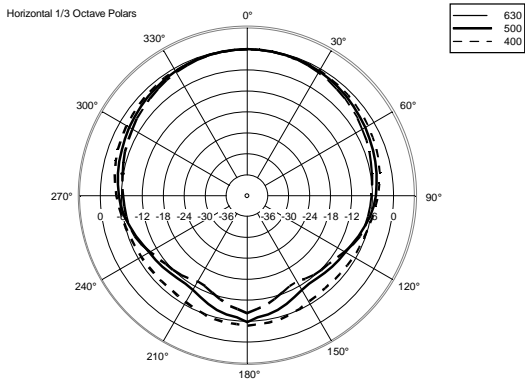
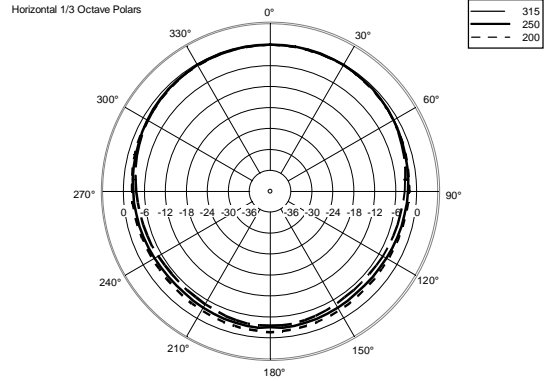
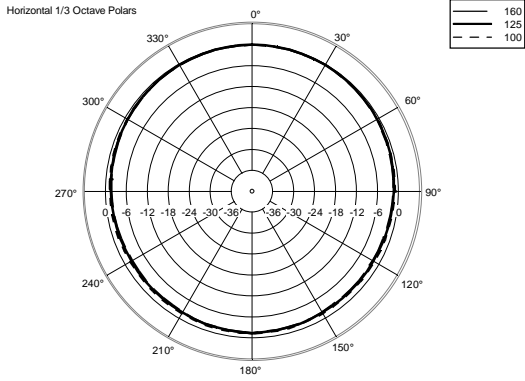


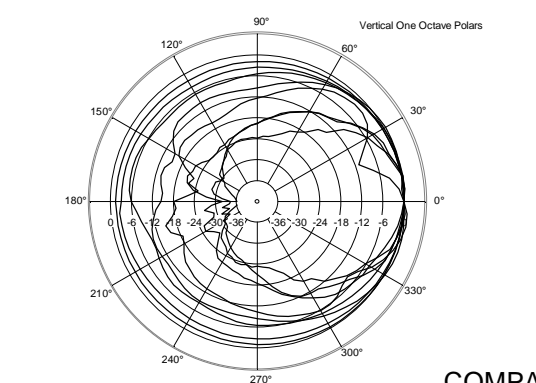
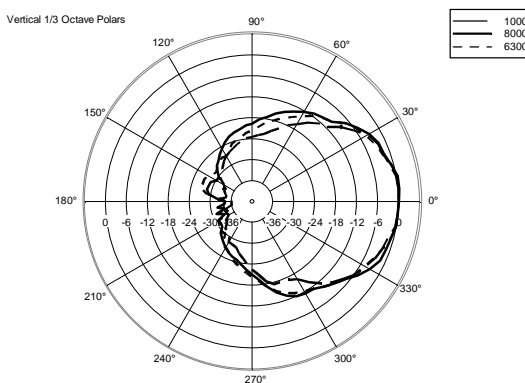
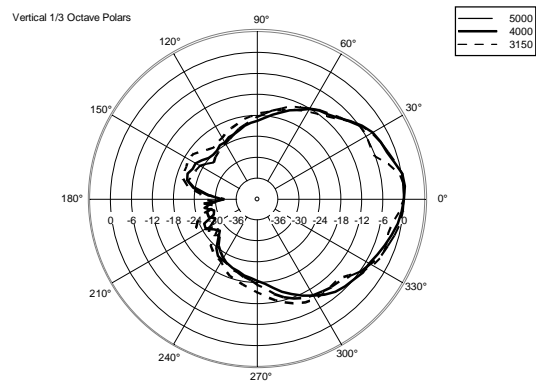
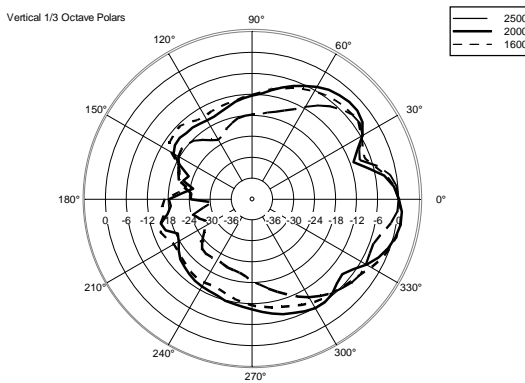
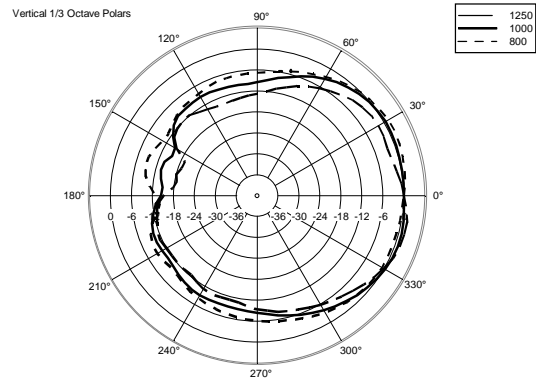
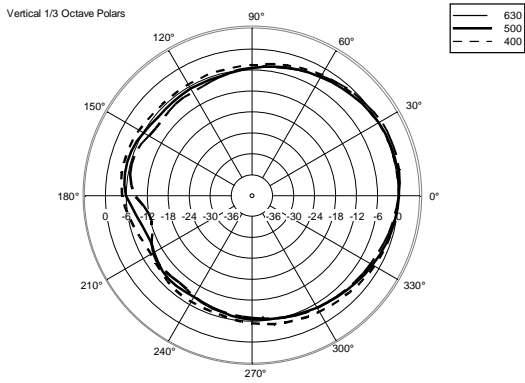
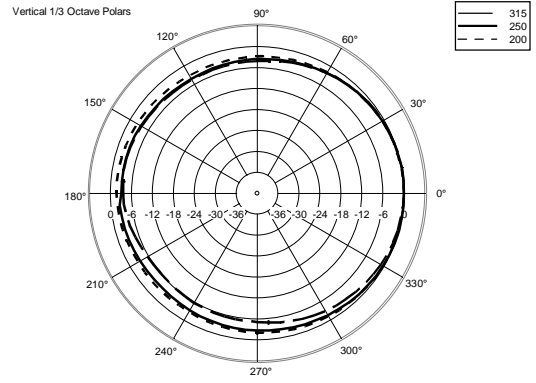
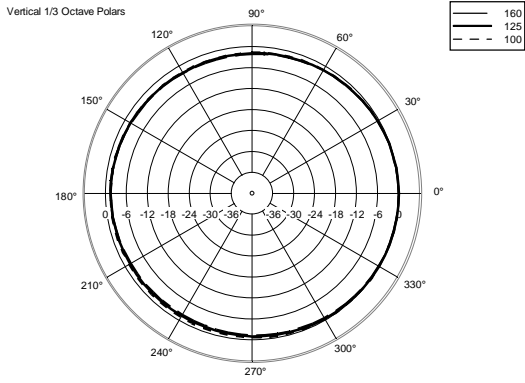
PART NUMBER

- **13000594**
COMPACT M 08
Black
EAN 8024530017798









ACCESSORIES

HORIZONTAL BRACKET H-BR 2X COMPACT M 08

PART NUMBER **13360443**
EAN: 8024530018269

PANEL PNL IN-OUT SPEAKON

PART NUMBER **12399062**
EAN:

VERTICAL BRACKET V-BR 2X COMPACT M 08

PART NUMBER **13360446**
EAN: 8024530018290

WALL MOUNT BRACKET SWM-BR COMPACT M

PART NUMBER **13360449**
EAN: 8024530017842