



## DATASHEET

# SD5CS

*Stealth Digital Processing™ made even more accessible*

## OVERVIEW

The DiGiCo SD5CS is a 132 channel mixing console with 37 physical faders and 3 x 15" LCD high-resolution touchscreens. The SD5CS offers the immense power of Stealth Digital Processing, floating-point Super FPGA technology and a ground-breaking feature set but at an undeniably competitive price point.



## KEY FEATURES

132 Input Channels with full processing

56 Aux/Sub-Group busses with full processing

24 x 24 Matrix with full processing

Assignable channel layout

User programmable macros

Capable of redundantly mirroring with another SD5CS console

Redundant PSUs as standard

Snapshots for seamlessly changing many parameters at once

Offline software

iPad control



## DiGiCo SD-Range

The SD-Range caters for everything audio: be it the biggest rock and roll show on the planet, a crucial global broadcast, the most sizeable House of Worship application, or an intimate theatre performance, there is an SD console that will tick the box.

Powerful. Versatile. Smart. Desirable.



## TECHNICAL SPECIFICATIONS

### WORKSURFACE

- 37 x 100mm touch-sensitive, motorised faders
- 3 x 15" LCD high-resolution touchscreen
- 2 x Custom mounted LCD high-resolution TFT-LCD Meterbridge screens
- 2 x ¼" Headphone socket
- 1 x USB 2.0 slot
- Integrated Light Bar

### REAR

- 2 x Redundant PSUs
- 1 x Waves port (Optional)
- 8 x XLR Mic/Line Inputs
- 8 x XLR Line Outputs
- 4 x XLR AES/EBU Inputs (8 x channels)
- 4 x XLR AES/EBU Outputs (8 x channels)
- 1 x DSub37 GPI (16 inputs)
- 1 x DSub37 GPO (16 outputs)
- 1 x MIDI In/Thru/Out (5 pin DIN)
- 4 x Redundant MADI BNC I/O
- 1 x AES Sync I/O
- 1 x BNC Video Sync
- 1 x RS422 port
- 1 x Word Clock I/O BNC
- 1 x VGA Port
- 1 x Ethernet port
- 2 x USB 2.0 slots

### OPTIONS

- Waves SoundGrid Interface
- Flightcase

### SIGNAL PROCESSING

#### 132 Input Channels (Mono)

- Main & Alternative Input
- Analogue Gain
- Phase Inversion Control
- Gain Tracking
- Digital Trim (-40dB to +40dB)
- Variable Delay (0ms to 1.3s)
- DiGiTube
- HPF/LPF (-24dB/Oct)
- 4 Band Parametric EQ / Dynamic EQ
- DYN 1: Compressor, Multiband Compressor, Desser
- DYN 2: Gate, Duck, External Input Compressor
- EQ/Dyn Order Control
- 2 Insert Points per Channel
- Channel Mute & Hard Mute
- Channel Direct Outputs

#### 56 Aux/Sub-Group Busses

- Phase Inversion Control
- Digital Trim (-40dB to +40dB)
- Variable Delay (0ms to 1.3s)
- DiGiTube
- Merge Input
- Tone Generator
- HPF/LPF (-24dB/Oct)
- 8 Band EQ: 4 Band Parametric EQ and 4 Band Parametric or Dynamic EQ
- DYN 1: Compressor, Multiband Compressor, Desser
- DYN 2: Gate, Duck, External Input Compressor
- EQ/Dyn Order Control
- 2 Insert Points per Channel
- Channel Mute & Hard Mute

1 LR/LCR/LCRS/5.1 Master Buss (with full processing)

24 Input x 24 Output Full Processing Matrix

24 Control Groups (CGs)

2 Solo Busses

32 x 32-band GEQs

24 x Internal Stereo FX Processors

- Delays
- Audio Enhancer
- Choruses
- Pitch Shifters
- Reverbs

DiGiTubes available on every channel and Buss

Dynamic EQs available on every channel and Buss

Multiband Compressors available on every channel & Buss

Virtual Soundcheck



## A&E SPECIFICATION

The DiGiCo SD5CS shall have 37 faders split into 3 worksurface sections plus a master fader. The left and the right worksurface sections shall have 3 layers of 5 banks. The centre worksurface section shall have 3 layers of 4 banks. All faders can be assigned to control any of the channel types. The console shall be capable of 132 input channels, 56 Aux/Sub-group Busses, a LR/LCR/LCRS/5.1 Master Buss, 24 VCA style or mute group style Control Group channels, 2 Solo Busses, and a 24 input x 24 output full processing Matrix. All processing paths shall have full processing including Tube emulation, Dynamic EQ and Multiband Compression. Tube emulation, Dynamic EQ and Multiband Compression shall be available on every channel and Buss on the console. All processing shall be internal and FPGA-Based. An internal FX rack shall allow users to pick from 34 different FX. Up to 24 stereo FX can be added, comprising of 16 floating point reverbs and up to 24 delay/chorus/pitch/enhancer effects. An internal set of 32 32-band GEQs shall also be accessible.

Three 15" (38cm) LCD high-resolution touch screens shall be provided to show the channel strips. The centre screen shall also show the master screen. The view of the centre screen shall be controlled by a physical button on the worksurface. The two side screens shall each have a dedicated hardware channel strip, allowing control over filters, EQ, dynamics, insert points, aux sends and 5.1 panning. The master section below the centre screen shall have physical controls to allow control over some snapshot functions, control over basic Solo functions and source and speaker selection (Broadcast software). 7 quick select buttons shall be on the master section to allow easy reassignment of the underscreen rotaries. There shall also be 4 layers of 10 user-assignable LCD macro buttons on the worksurface. The user shall also be able to program macros that can be triggered with fader movements, GPI, MIDI and keyboard functions. This master section shall also have a USB port.

The rear panel shall have 8 Mic/Line inputs, 8 line outputs, 4 AES/EBU inputs (8 channels), 4 AES/EBU outputs (8 channels) and 4 redundant MADI interfaces. It shall also have 1 DSub37 GPI and 1 DSub37 GPO (16 inputs and 16 outputs), MIDI In, Thru and Out, AES sync, video sync, external Wordclock I/O, a VGA port, an ethernet port, 2 USB ports, and an RS422 port. It shall also have 2 redundant and hot-swappable power supplies.

There shall be an option to add a Waves Soundgrid port, providing 64 inputs and 64 outputs to the SoundGrid Network at 48kHz and 96kHz.

The dimensions of the SD5CS shall be: 1465 (w) x 838 (d) x 458 (h) mm  
The weight of the SD5CS shall be: 116kg  
The DiGiCo SD5CS shall be supplied with a dust cover.

### AUDIO SPECIFICATIONS

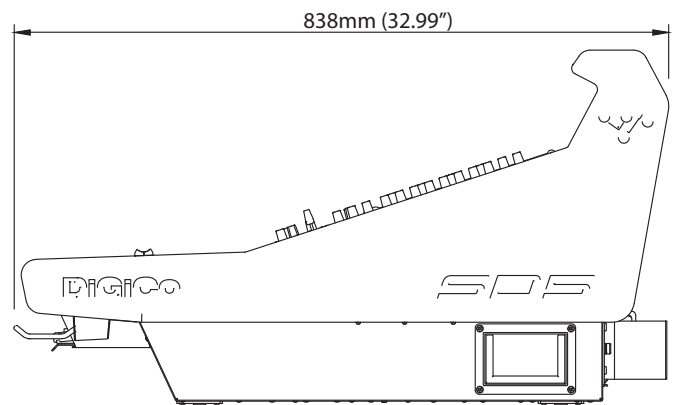
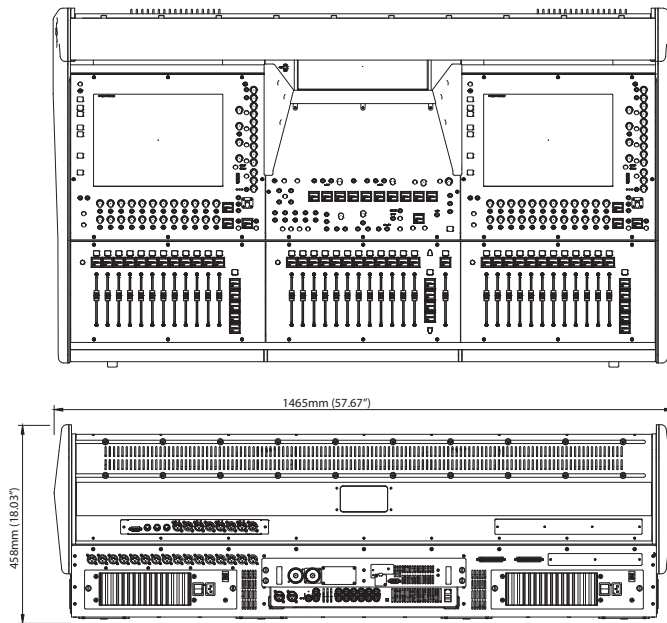
Sample Rate: 48kHz or 96kHz
Processing Delay: 2ms Typical @ 48K (132 Channels, Stage input Through L-R Buss to Stage Output) 1.1ms @ 96k
Internal Processing: Up to 40-bit, Floating Point
A>D & D>A: 24-bit Converter Bit Depth
Frequency Response: +/- 0.6dB (20Hz – 20kHz)
THD: <0.05% @ Unity Gain,; 10dB Input @ 1kHz
Channel Separation: Better Than 90dB: (40Hz-15kHz)
Residual Output Noise: <90dBu Typical (20Hz-20kHz)
Microphone Input: Better Than -126dB: Equivalent Noise
Maximum Output Level: +22dBu
Maximum Input Level: +22dBu

In a world as competitive for engineers as it is for console owners, you want the best tools you can lay your hands on. You also want a console and audio tools as well thought out for every major application as they are designed for the art and science of sound engineering.



## LINE DRAWING

All dimensions in mm



### PHYSICAL

Dimensions: 1465mm (w) x 838mm (d) x 458mm (h)

Weight: 116kg (235kg with optional flightcase)

Flightcase: 1600mm (w) x 600mm (d) x 1200mm (h) (Optional)

Power Requirements: 90-260 V, 50-60Hz, 532VA (340W)

Redundancy: Internal PSU x 2

Product Code: X-SD5CS-WS

#### DiGiCo HQ

Unit 10 Silverglade Business Park Leatherhead Road, Chessington,  
Surrey, KT9 2QL, United Kingdom  
info@digiconsoles.com

©DiGiCo 2019. All brand and product names are copyright to their respective owners  
E&OE

[www.digico.biz](http://www.digico.biz)

 **DiGiCo**  
[www.digico.biz](http://www.digico.biz)

DiGiCo SD5CS Datasheet