

ART 310-A MK4

ACTIVE TWO-WAY SPEAKER

DESCRIPTION

The RCF Art 310-A MK4 two-way active speaker is the optimum choice for vocal applications, music playback and demanding musicians. The ART 310-A MK4 is very easy to transport everywhere.



FEATURES

- 127 dB Max SPL
- 800 WATT 2-way peak power
- DSP Processing with FIRPHASE
- 10" High Powered Woofer
- 1" HF driver, mylar dome, 1.5" voice coil
- high power handling low impedance crossover design

TECHNICAL SPECIFICATIONS

Acoustical specifications	Frequency Response:	50 Hz ÷ 20000 Hz
	Max SPL @ 1m:	127 dB
	Horizontal coverage angle:	90°
	Vertical coverage angle:	70°
Transducers	Compression Driver:	1 x 1.0", 1.5" v.c
	Woofers:	10", 2.0" v.c
Input/Output section	Input signal:	bal/unbal
	Input connectors:	XLR, Jack
	Output connectors:	XLR
	Input sensitivity:	-2 dBu/+4 dBu
	Mic. Input Sensitivity:	-32 dBu
Processor section	Crossover Frequencies:	1800 Hz
	Protections:	Thermal, RMS
	Limiter:	Soft Limiter
	Controls:	Volume, Boost, Mic/Line
Power section	Total Power:	800 W Peak, 400 W RMS
	High frequencies:	200 W Peak, 100 W RMS
	Low frequencies:	600 W Peak, 300 W RMS
	Cooling:	Convection
	Connections:	VDE
Standard compliance	CE marking:	Yes
Physical specifications	Cabinet/Case Material:	PP Composite
	Hardware:	2 x M10
	Handles:	1 Top
	Pole mount/Cap:	Yes
	Grille:	Steel
	Color:	Black
Size	Height:	537 mm / 21.14 inches
	Width:	337 mm / 13.27 inches
	Depth:	315 mm / 12.4 inches
	Weight:	12.2 kg / 26.9 lbs
Shipping informations	Package Height:	600 mm / 23.62 inches
	Package Width:	396 mm / 15.59 inches
	Package Depth:	372 mm / 14.65 inches
	Package Weight:	14.8 kg / 32.63 lbs



PART NUMBER

• **13000538**

ART 310-A MK4

115V

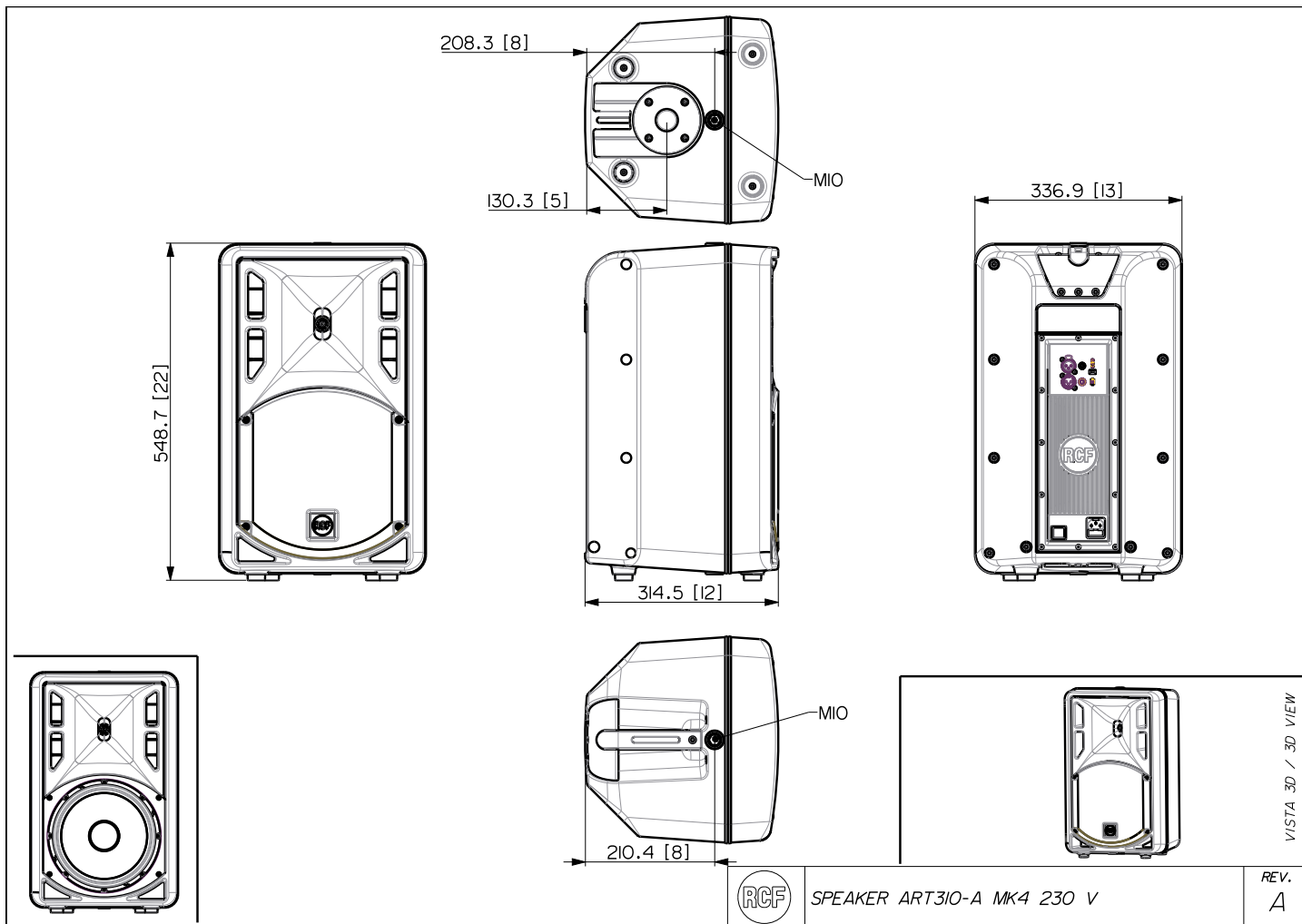
EAN 8024530015084

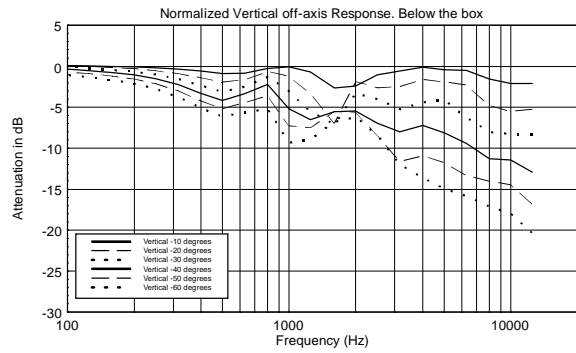
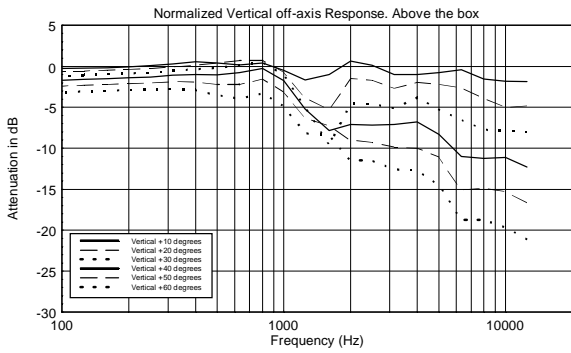
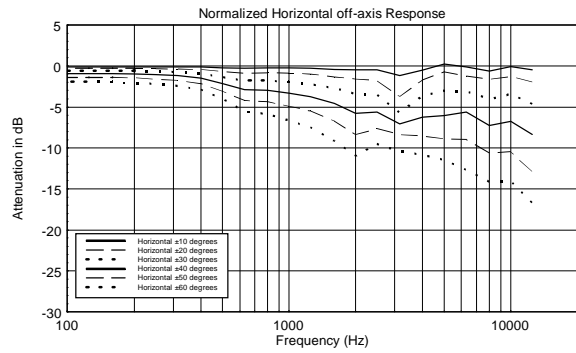
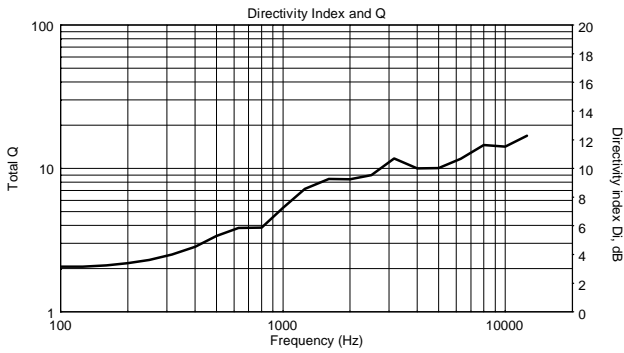
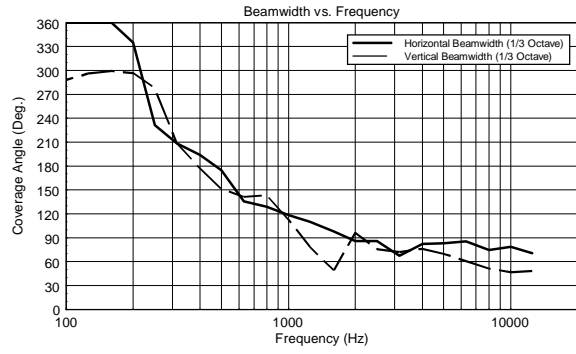
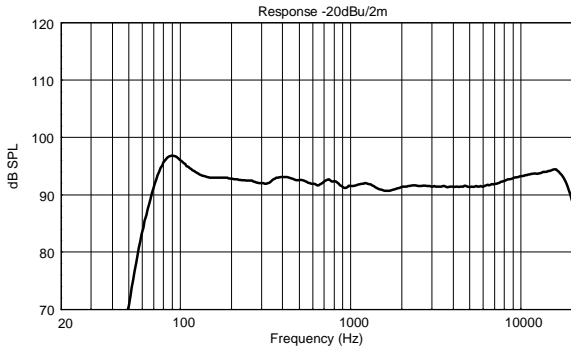
• **13000537**

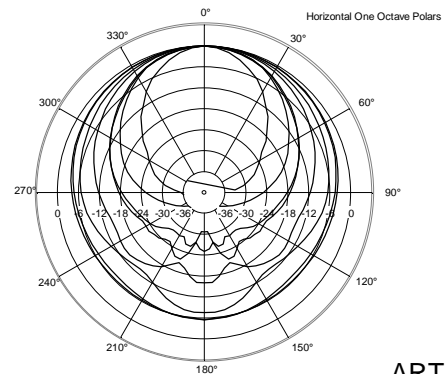
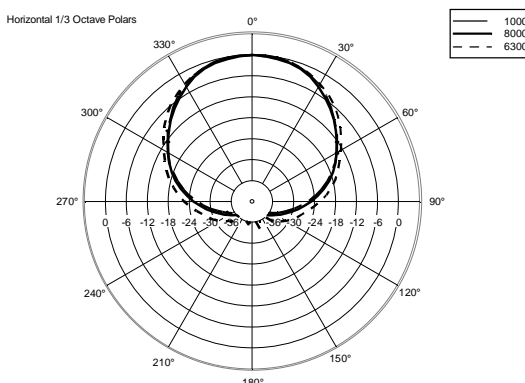
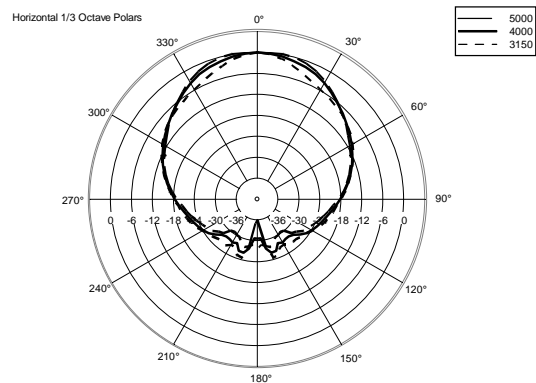
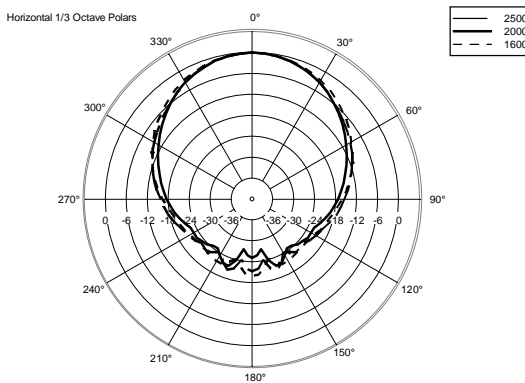
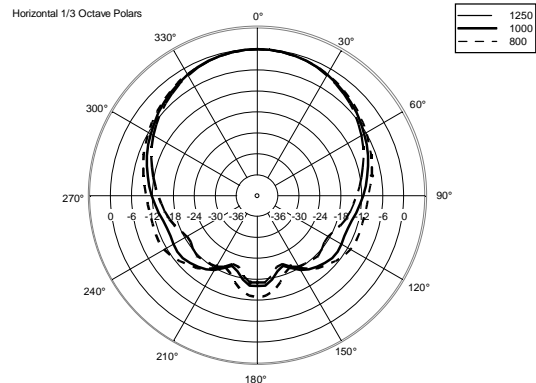
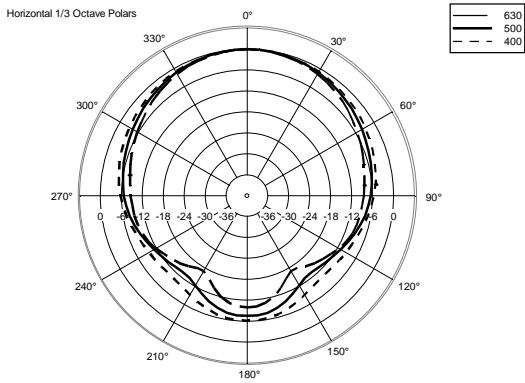
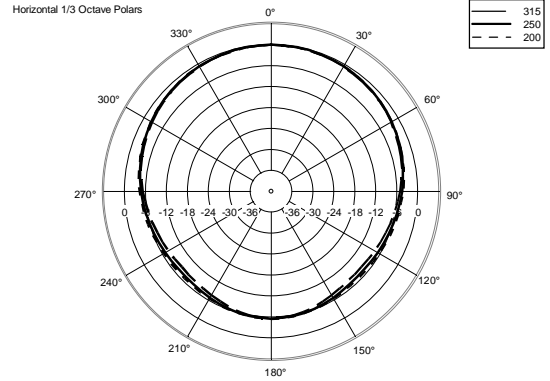
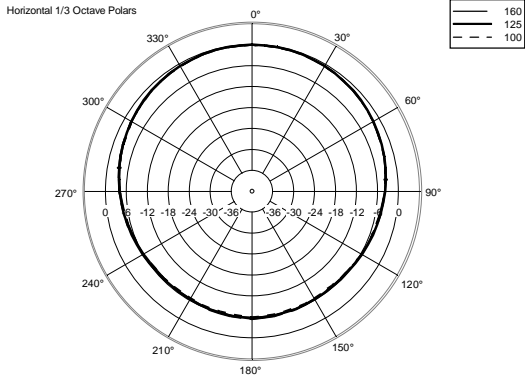
ART 310-A MK4

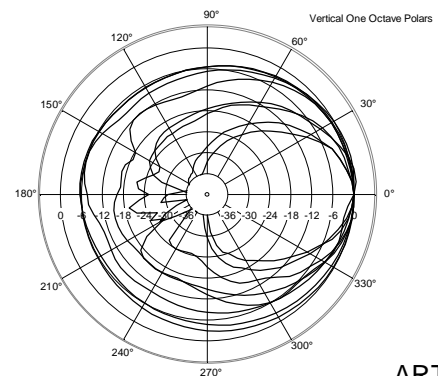
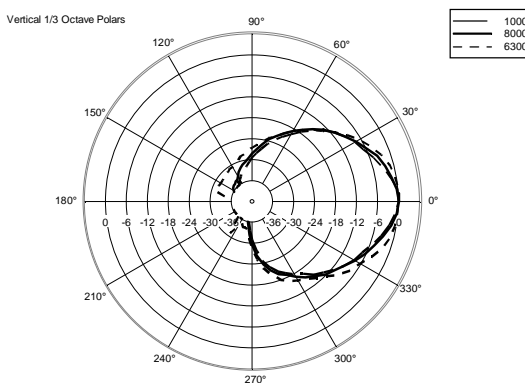
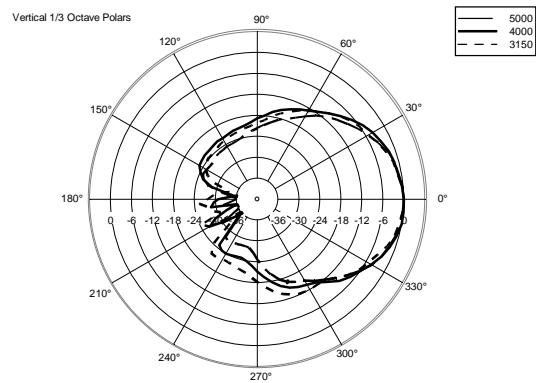
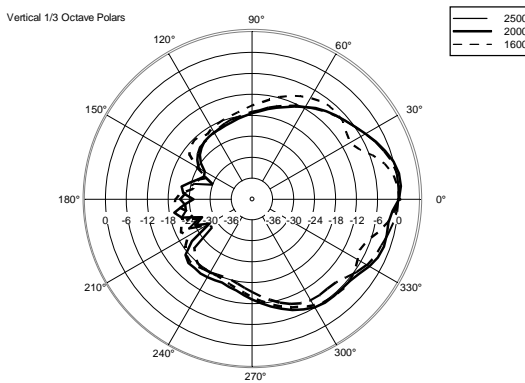
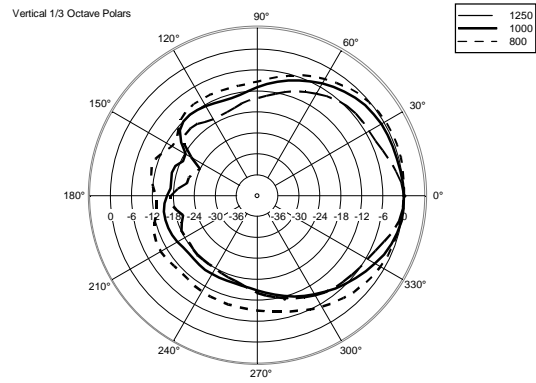
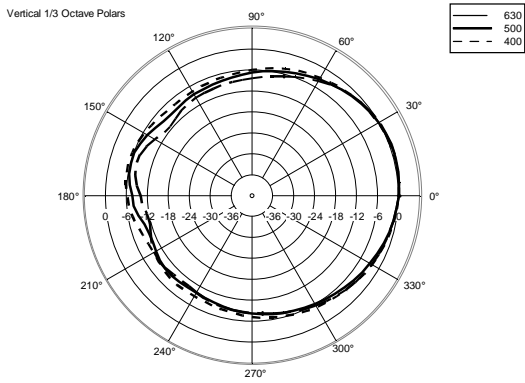
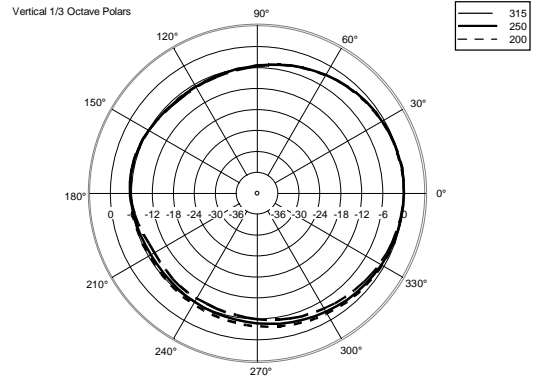
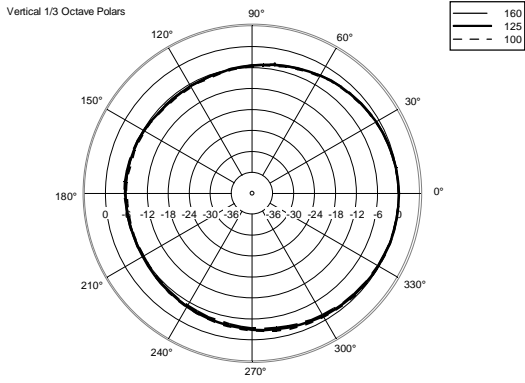
220-240V

EAN 8024530014940









ACCESSORIES

AC PMA - POLE MOUNT

PART NUMBER **13360034**
EAN: 8024530007713

AC PM-M20

PART NUMBER **13360067**
EAN: 8024530014599

AC PMX POLE MOUNT M20

PART NUMBER **13360232**
EAN: 8024530010058

AC PRO-FS PROFESS. LOCKING FLOOR STAND

PART NUMBER **13360109**
EAN: 8024530006471

AC PRO-PM PROFESS. LOCKING POLE MOUNT

PART NUMBER **13360110**
EAN: 8024530006488

COVER CVR ART 310

PART NUMBER **13360044**
EAN: 8024530010744

HORIZONTAL BRACKET H-BR ART 310

PART NUMBER **13360042**
EAN: 8024530015824