

4PRO 5031-A

ACTIVE TWO-WAY SPEAKER

DESCRIPTION

The 4PRO 5031-A is a self-powered, lightweight two-way full bandwidth loudspeaker system equipped with two 15" woofers and a 1.7" voice coil diaphragm, compression driver mounted to a constant directivity horn. The 90° angle is wide enough to provide coverage of an audience when used one per side, yet narrow enough to allow displaying of multiple enclosures without excessive coverage overlap. The 4PRO 5031-A is the ideal choice when the application requires high performance and simple set-up, perfect for main PA, side fills, night clubs and corporate events.



FEATURES

- 1200 WATT PEAK, 600 WATT RMS
- 132 dB max spl
- 90 x 60, Wide dispersion constant directivity horn
- 2 x 15" woofer, 2.5" voice coil
- 1" HF driver, 1.7" voice coil

TECHNICAL SPECIFICATIONS

Acoustical specifications	Frequency Response:	45 Hz ÷ 20000 Hz
	Max SPL @ 1m:	132 dB
	Horizontal coverage angle:	90°
	Vertical coverage angle:	60°
<hr/>		
Transducers	Compression Driver:	1.0", 1.75" v.c
	Woofer:	2 x 15", 2.5" v.c
<hr/>		
Input/Output section	Input signal:	bal/unbal
	Input connectors:	Combo XLR/Jack
	Output connectors:	XLR
	Input sensitivity:	-2 dBu/+4 dBu
<hr/>		
Processor section	Crossover Frequencies:	1650 Hz
	Protections:	Thermal, RMS
	Limiter:	Fast Limiter
	Controls:	Volume, EQ Shape, Mic/Line
<hr/>		
Power section	Total Power:	1200 W Peak, 600 W RMS
	High frequencies:	400 W Peak, 200 W RMS
	Low frequencies:	800 W Peak, 400 W RMS
	Cooling:	Convection
	Connections:	VDE
<hr/>		
Standard compliance	CE marking:	Yes
<hr/>		
Physical specifications	Cabinet/Case Material:	Baltic birch plywood
	Hardware:	3 x Flytracks
	Handles:	2 side
	Pole mount/Cap:	Yes
	Color:	Black
<hr/>		
Size	Height:	1094 mm / 43.07 inches
	Width:	430 mm / 16.93 inches
	Depth:	430 mm / 16.93 inches
	Weight:	40.5 kg / 89.29 lbs
<hr/>		
Shipping informations	Package Height:	1134 mm / 44.65 inches
	Package Width:	484 mm / 19.06 inches
	Package Depth:	484 mm / 19.06 inches
	Package Weight:	47 kg / 103.62 lbs



PART NUMBER

• **13000369**

4PRO 5031-A

115V

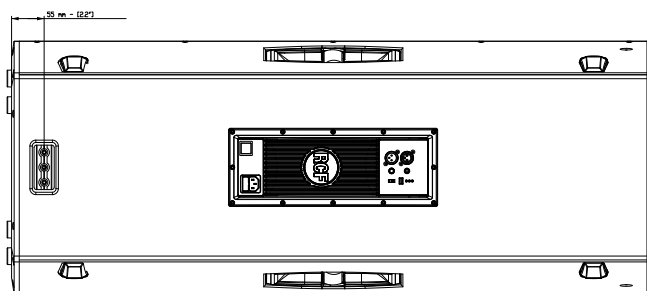
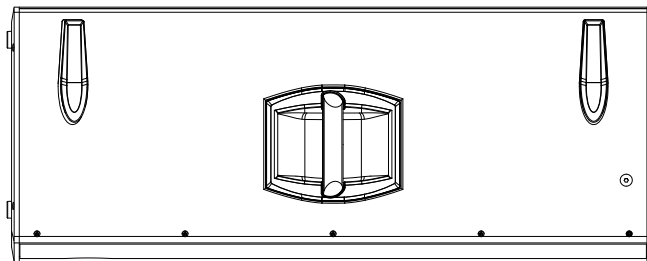
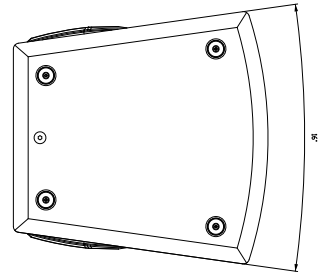
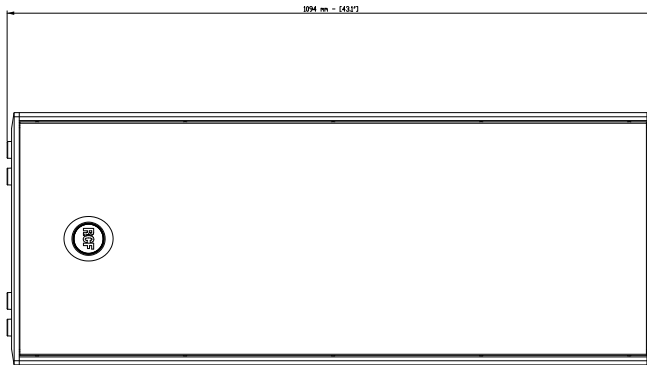
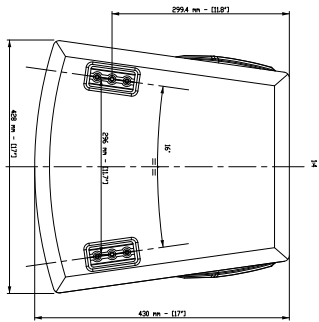
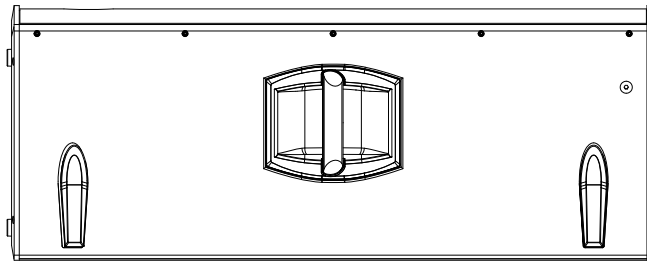
EAN 8024530009823

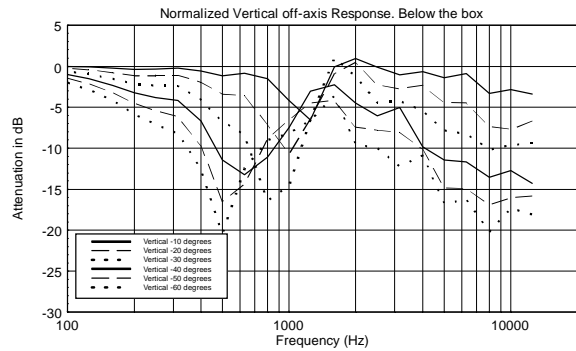
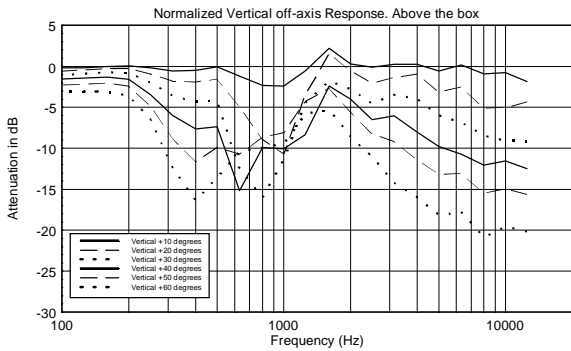
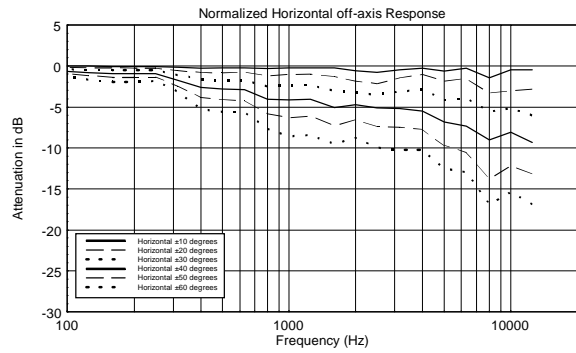
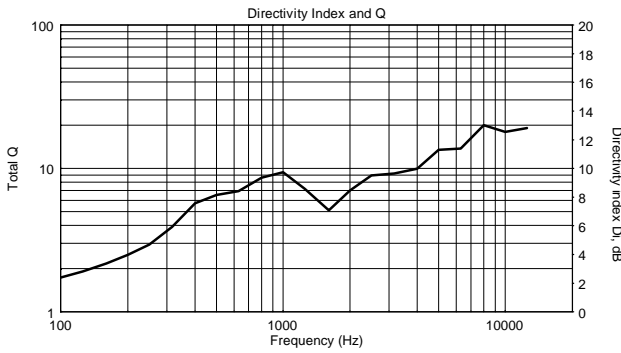
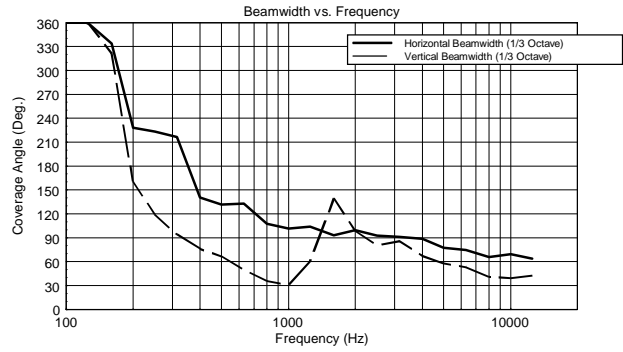
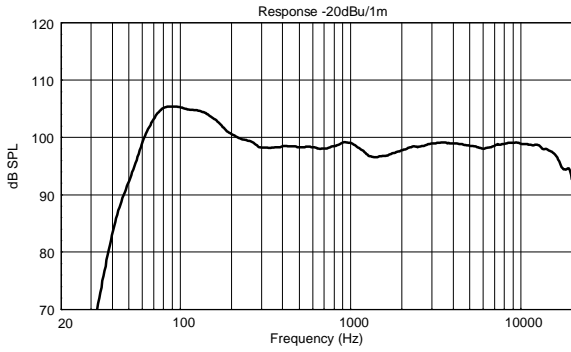
• **13000368**

4PRO 5031-A

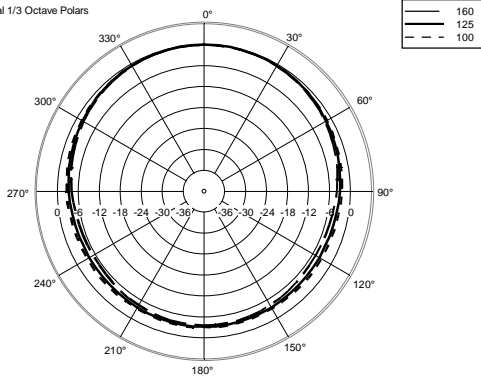
220-240V

EAN 8024530009816

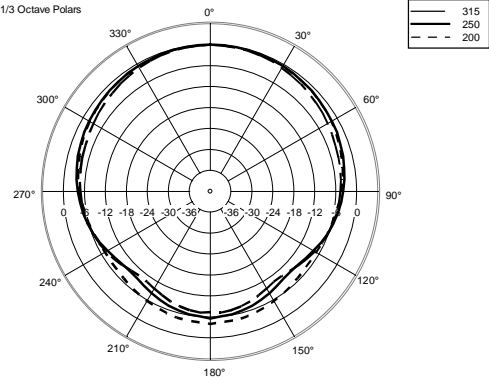




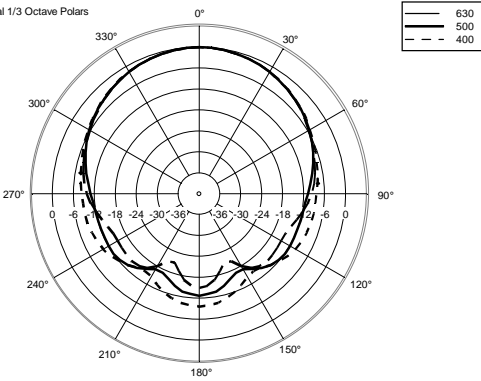
Horizontal 1/3 Octave Polars



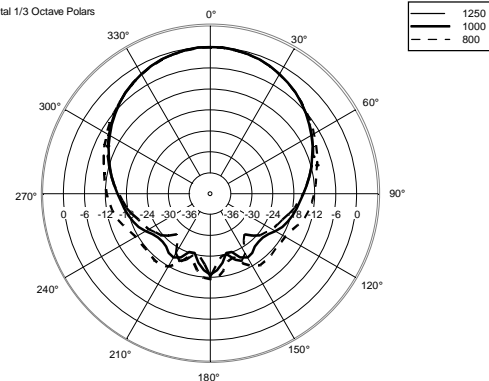
Horizontal 1/3 Octave Polars



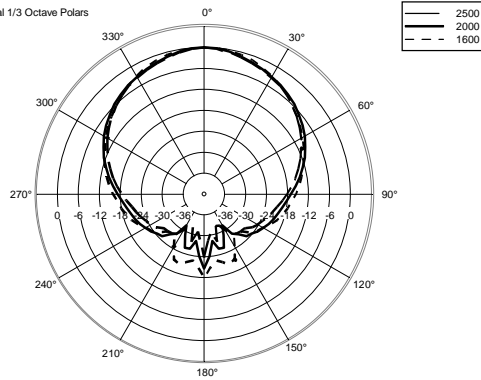
Horizontal 1/3 Octave Polars



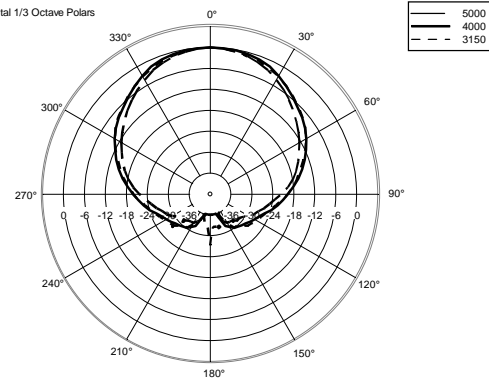
Horizontal 1/3 Octave Polars



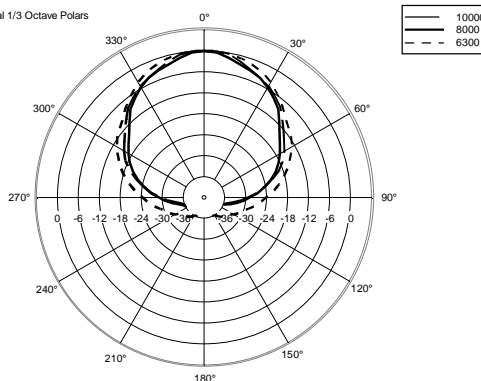
Horizontal 1/3 Octave Polars



Horizontal 1/3 Octave Polars



Horizontal 1/3 Octave Polars



Horizontal One Octave Polars

