

## Safety Cable

- Design Guide Supplement: Safety Cables • 2
- Complemento de la guía de diseño: cables de seguridad • 4
- Annexe au guide de conception : câbles de sécurité • 6
- Ergänzung zum Design Guide: Sicherungsseile • 8
- Supplemento alla guida di progettazione: cavi di sicurezza • 10
- Aanvulling ontwerpuid: Veiligheidskabels • 12
- デザインガイド補足情報: 安全ケーブル • 14
- 设计指南补充: 安全绳 • 16
- 設計指南附件: 安全纜索 • 18
- 20 • ملحق دليل التصميم: كابلات الأمان



**Before attempting installation, please read all instructions & warnings in the installation guides for the product & the safety cable.**

## Introduction

This document provides important information to system designers about the use of safety cables with certain Bose loudspeakers in commercial cooking environments.

Bose has discovered that the mounting components on some of our loudspeakers can degrade and break when exposed to certain substances. If the mounting components break, the loudspeaker could fall and result in personal injury or property damage. Lubricants and cooking oil are the only substances to which the affected loudspeakers are likely to be exposed at levels high enough to degrade their mounting components. Therefore, lubricants should never be used during installation and loudspeakers that will be exposed to cooking oils must be installed with a safety cable.

## Affected Products

All variants of the products listed here as well as mounting accessories (such as pendant-mount kits) are affected.

### Flush-mount (In-ceiling) Models:

EdgeMax EM90  
 EdgeMax EM180  
 FreeSpace DS 16F  
 FreeSpace DS 40F  
 FreeSpace DS 100F  
 FreeSpace 3 Flush-Mount Satellites  
 FreeSpace 3 Series II Acoustimass module

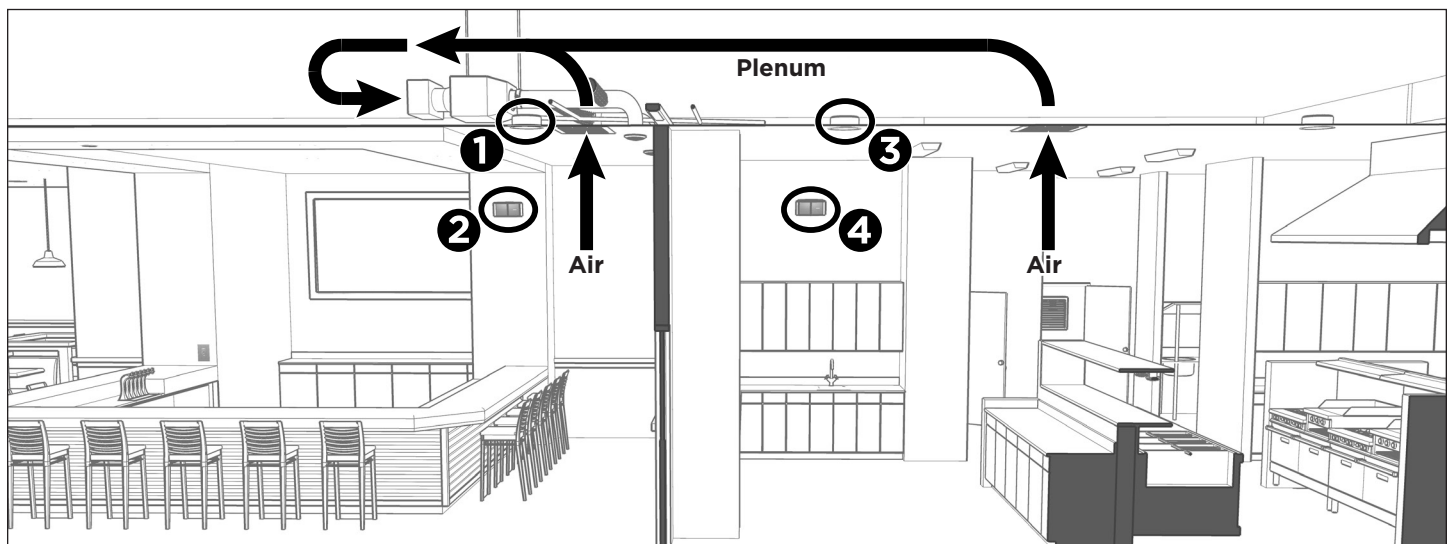
### Surface-mount Models:

FreeSpace DS 16S / 16SE  
 FreeSpace DS 40SE  
 FreeSpace DS 100SE

## Applications

The loudspeaker requires a safety cable if it meets either of these conditions:

- A** It is installed in the same room as a cooking surface. This means that the loudspeaker and cooking surface are not separated by **(1)** full-height walls, **(2)** full-height doors, or **(3)** wall openings that are normally closed.
- B** It is a flush-mount (in-ceiling) loudspeaker and is exposed to air from a room with a cooking surface via an HVAC system with an above-ceiling plenum return. An **HVAC system** provides heating and cooling services to a building. An **above-ceiling plenum return** is a separate space between the structural ceiling and a drop-down ceiling that allows for air circulation for the HVAC system.



In the diagram above, the installed Bose loudspeakers are circled and numbered:

- 1** The flush-mount loudspeaker in this dining area requires a safety cable.
- 2** The surface-mount in this dining area does **not** require a safety cable.
- 3** The flush-mount loudspeaker in this kitchen requires a safety cable.
- 4** The surface-mount loudspeaker in this kitchen requires a safety cable.

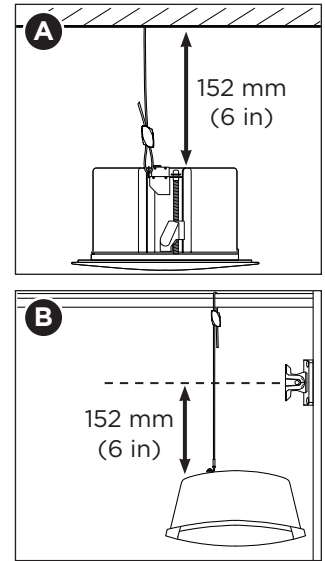
### Design Requirements When Using the Safety Cable

If the loudspeaker requires a safety cable, please note the following information to aid your design process:

The safety cable must be wrapped securely around a building support structure. For surface-mount loudspeakers, you may wrap the safety cable securely around a structural attachment point, such as an eye screw above the loudspeaker, as an alternative.

After attaching the safety cable to both the loudspeaker and building support structure (or attachment point), you must remove enough slack from the safety cable such that, in the event of a fall, the top (rear) of the loudspeaker will drop to a distance of no more than **152 millimeters (6 inches)** below the ceiling (if it is a flush-mount loudspeaker, Fig. A) or from its mounted location (if it is a surface-mount loudspeaker, Fig. B) before it is retained by the safety cable.

Refer to the safety cable installation guide for detailed instructions and important safety warnings when installing the safety cable.



### Safety Cable Ordering & Specifications

When you purchase any of the affected products from Bose, a safety cable will be provided for each loudspeaker. To obtain safety cables for loudspeakers that are already installed, visit [BoseBMSafety.com](http://BoseBMSafety.com).

Bose can provide these two types of safety cable kits for free:

Kit	Compatible Products	Part Number	Specifications
<b>Flush-mount safety cable kit</b>	EdgeMax EM90 EdgeMax EM180 FreeSpace DS 16F FreeSpace DS 40F FreeSpace DS 100F FreeSpace 3 Flush-Mount Satellites	839760-0010	<b>Length:</b> 6.1 m (20.0 ft) <b>Ends:</b> 1 closed-loop end, 1 open end with fastener
<b>Surface-mount safety cable kit</b>	FreeSpace DS 16S / 16SE FreeSpace DS 40SE FreeSpace DS 100SE FreeSpace 3 Series II Acoustimass module*	839761-0010	<b>Length:</b> 1.5 m (5.0 ft) <b>Ends:</b> 1 end with 90° eyelet, 1 open end with fastener

\* The FreeSpace 3 Series II Acoustimass module requires the surface-mount safety cable kit as this model does not have attachment points for the flush-mount safety cable.

If the safety cable provided by Bose is too short, you may substitute a longer safety cable only if it meets the specifications listed below. Failure to meet these requirements could cause the loudspeaker to fall and result in personal injury or property damage.

**Material:** Galvanized high-tensile steel to EN12385

**Cable Diameter:** 2 mm (5/64 in)

**Strand Configuration:** 7 × 7

If you are unable to install the Bose-provided cable **or** a longer substitute that meets the requirements that Bose has provided, do not install the loudspeaker and return it to Bose for a refund. (This applies only to loudspeakers installed in commercial cooking environments.)

### Support & Contact Information

If you have any questions, contact your Bose Professional sales representative. Visit [bosepro.link/contact](http://bosepro.link/contact) to find your local sales office.