



## **DesignMax DM6SE** Surface-mount Loudspeaker


Installation Guide . . . . .	2	Monteringsveiledning . . . . .	44
Guía de instalación . . . . .	9	Instrukcja montażu . . . . .	51
Notice d'installation . . . . .	16	安裝指南 . . . . .	58
Installationsanleitung . . . . .	23	安裝指南 . . . . .	65
Guida all'installazione . . . . .	30	設置ガイド . . . . .	72
Installatiehandleiding . . . . .	37	79 . . . . .	دليل التركيب

**Please read and keep all safety and use instructions.**


**This product is intended for installation by professional installers only!** This document is intended to provide professional installers with basic installation and safety guidelines for this product in typical fixed-installation systems. Please read this document and all safety warnings before attempting installation.

Do not attempt to service this product yourself. Refer all servicing to authorized service centers, installers, technicians, dealers or distributors. To contact Bose Professional or to find a dealer or distributor near you, visit **PRO.BOSE.COM**.

1. Read these instructions.
2. Keep these instructions.
3. Heed all warnings.
4. Follow all instructions.
5. Do not block any ventilation openings. Install in accordance with the manufacturer's instructions.
6. Do not install near any heat sources such as radiators, heat registers, stoves, or other apparatus (including amplifiers) that produces heat.
7. Only use attachments/accessories specified by the manufacturer.



**WARNINGS/CAUTIONS**




This product contains magnetic material. Consult your physician on whether this might affect your implantable medical device.


- It is the responsibility of the installer to use a support system which has sufficient wind load strength to comply with the applicable codes and standards.
- All Bose products must be installed in accordance with local, state, federal and industry regulations. It is the installer's responsibility to ensure installation of the loudspeakers and mounting system is performed in accordance with all applicable codes, including local building codes and regulations. Consult the local authority having jurisdiction before installing this product.
- This product is not intended for installation or use in indoor water facility areas (including, without limitation, indoor pools, indoor water parks, hot tub rooms, saunas, steam rooms and indoor skating rinks).
- Unsafe mounting or overhead suspension of any heavy load can result in serious injury or death, and property damage. It is the installer's responsibility to evaluate the reliability of any mounting method used for their application. Only professional installers with the knowledge of proper hardware and safe mounting techniques should attempt to install any loudspeaker overhead.
- Do not mount on surfaces that are not sturdy, or that have hazards concealed behind them, such as electrical wiring or plumbing. If you are not sure about installing the bracket, contact a qualified professional installer. Ensure the bracket is installed according to local building codes.
- Use only the hardware and accessories included or specified by Bose for use with DesignMax DM6SE loudspeakers. Hardware for securing the loudspeaker to the mounting surface is not supplied. For information on compatible accessories, see the product's technical data sheet at **PRO.BOSE.COM**.
- Keep the product away from fire and heat sources. Do not place naked flame sources, such as lighted candles, on or near the product.
- Do not make unauthorized alterations to this product.
- The DesignMax DM6SE wall-mounting bracket is only for use with model DM6SE.
- Do not expose loudspeaker or mounting components to any chemical substances that are not specified by Bose, including but not limited to lubricants, cleaning agents, contact sprays, or other hydrocarbon-based solvents. Exposure to such substances can lead to degradation of the plastic material, resulting in cracking and creating a falling hazard.
- Clean speakers using only a dry cloth. Do not expose loudspeaker to soap, detergent, mineral oil, alcohol or other cleaning agents or chemicals.

**Product Ratings:**

Input Voltage: 70V/100V  
 Impedance: 8 Ω, 100 W  
 Current or Power: (70V): 2.5W, 5W, 10W, 20W, 40W, 80W; (100V): 5W, 10W, 20W, 40W, 80W

**Regulatory Information**

 This product conforms to all applicable EU directive requirements. The complete declaration of conformity can be found at: [www.Bose.com/compliance](http://www.Bose.com/compliance).

 This symbol means the product must not be discarded as household waste, and should be delivered to an appropriate collection facility for recycling. Proper disposal and recycling helps protect natural resources, human health and the environment. For more information on disposal and recycling of this product, contact your local municipality, disposal service, or the shop where you bought this product.

**China Restriction of Hazardous Substances Table**

Names and Contents of Toxic or Hazardous Substances or Elements						
Part Name	Toxic or Hazardous Substances and Elements					
	Lead (Pb)	Mercury (Hg)	Cadmium (Cd)	Hexavalent Chromium (Cr(VI))	Polybrominated Biphenyl (PBB)	Polybrominated diphenylether (PBDE)
PCBs	X	0	0	0	0	0
Metal Parts	X	0	0	0	0	0
Plastic Parts	0	0	0	0	0	0
Speakers	X	0	0	0	0	0
Cables	X	0	0	0	0	0

This table is prepared in accordance with the provisions of SJ/T 11364.  
 0: Indicates that this toxic or hazardous substance contained in all of the homogeneous materials for this part is below the limit requirement of GB/T 26572.  
 X: Indicates that this toxic or hazardous substance contained in at least one of the homogeneous materials used for this part is above the limit requirement of GB/T 26572.

**Taiwan Restriction of Hazardous Substances Table**

Equipment name: DesignMax DM6SE, Type designation: 829682						
Unit	Restricted substances and its chemical symbols					
	Lead (Pb)	Mercury (Hg)	Cadmium (Cd)	Hexavalent chromium (Cr+6)	Polybrominated biphenyls (PBB)	Polybrominated diphenyl ethers (PBDE)
PCBs	-	0	0	0	0	0
Metal Parts	-	0	0	0	0	0
Plastic Parts	0	0	0	0	0	0
Speakers	-	0	0	0	0	0
Cables	-	0	0	0	0	0

**Note 1:** "0" indicates that the percentage content of the restricted substance does not exceed the percentage of reference value of presence.  
**Note 2:** The "-" indicates that the restricted substance corresponds to the exemption.

**Date of Manufacture:** The eighth digit in the serial number indicates the year of manufacture; "7" is 2007 or 2017.

**China Importer:** Bose Electronics (Shanghai) Company Limited, Part C, Plant 9, No. 353 North Riyang Road, China (Shanghai) Pilot Free Trade Zone

**EU Importer:** Bose Products B.V., Gorslaan 60, 1441 RG Purmerend, The Netherlands

**Mexico Importer:** Bose de México, S. de R.L. de C.V., Paseo de las Palmas 405-204, Lomas de Chapultepec, 11000 México, D.F. For importer & service information: +5255 (5202) 3545

**Taiwan Importer:** Bose Taiwan Branch, 9F-A1, No. 10, Section 3, Minsheng East Road, Taipei City 104, Taiwan. Phone Number: +886-2-2514 7676

Bose and DesignMax are trademarks of Bose Corporation.

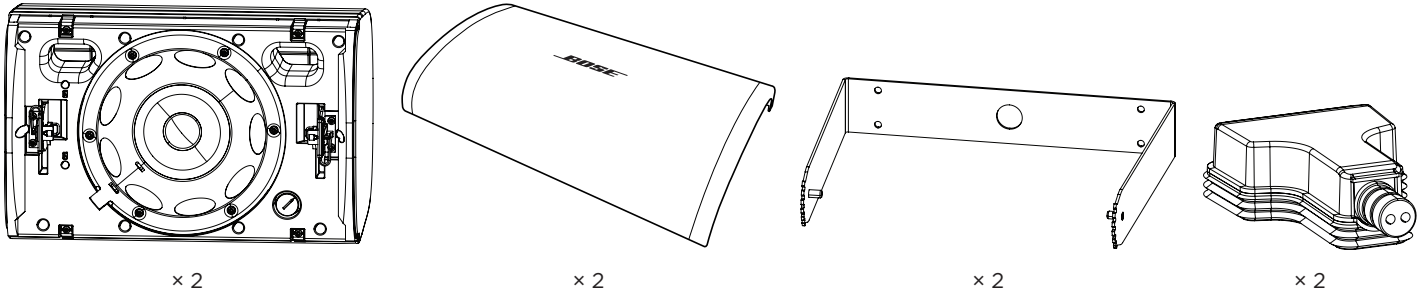
Bose Corporation Headquarters: 1-877-230-5639

©2019 Bose Corporation. No part of this work may be reproduced, modified, distributed or otherwise used without prior written permission.

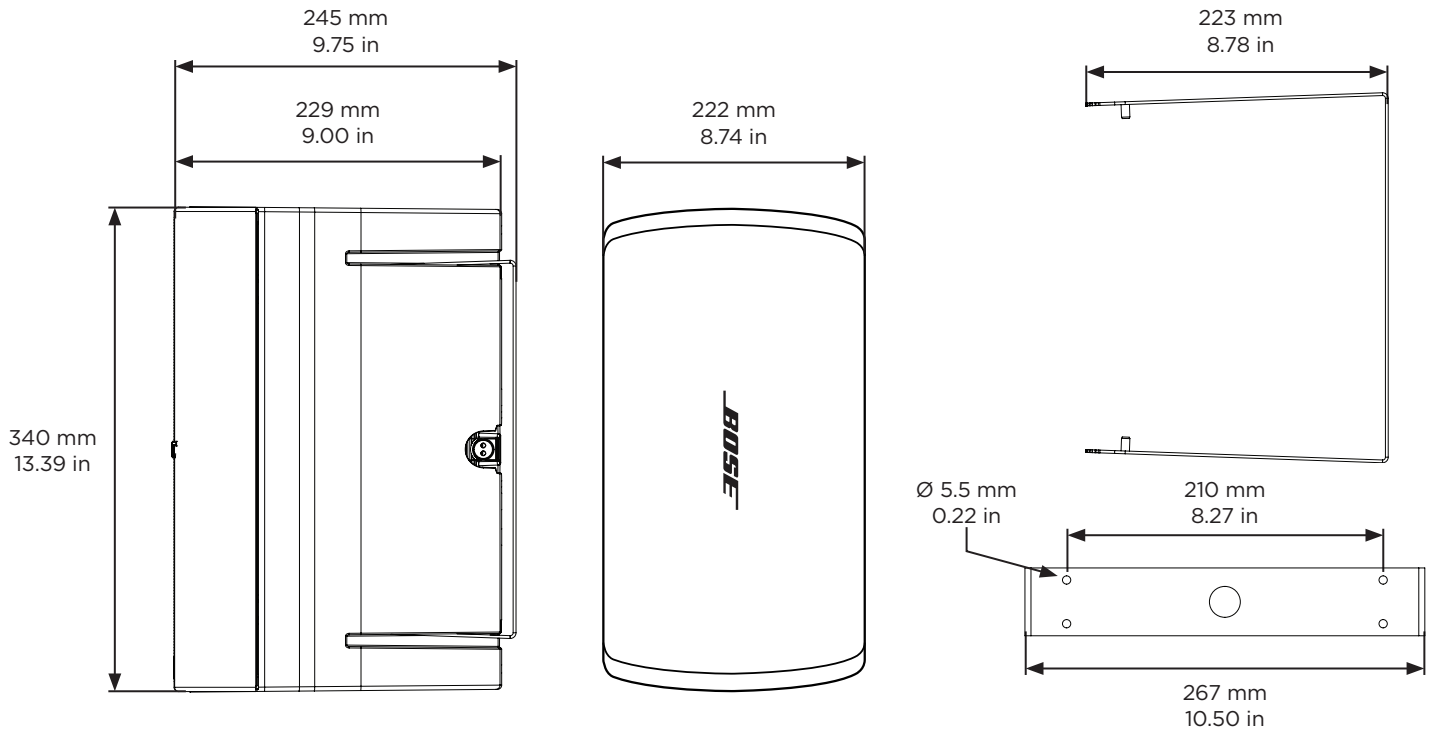
**Warranty Information**

This product is covered by a limited warranty. For warranty details, visit **PRO.BOSE.COM**.

## Package Contents



## Product Dimensions



## Technical Specifications

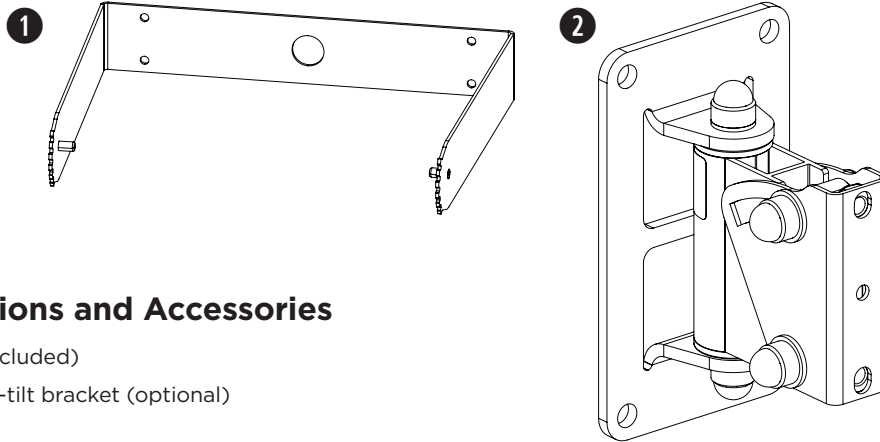
For additional specifications, see the DesignMax DM6SE technical data sheet at [PRO.BOSE.COM](http://PRO.BOSE.COM).

Physical	
<b>Product Dimensions</b>	Height: 340 mm (13.39 in)
	Width: 222 mm (8.74 in)
	Depth: 229 mm (9.00 in)
<b>Net Weight, Loudspeaker with grille and bracket (single)</b>	6.40 kg (14.1 lb)
<b>Shipping Weight (pair)</b>	14.74 kg (32.5 lb)

## Important Installation Information

- ⚠ It is the installer's responsibility to ensure installation of the loudspeakers and mounting system is performed in accordance with all applicable codes, including local building codes and regulations. Consult the local authority having jurisdiction before installing this product.
- ⚠ It is the responsibility of the installer to ensure the safety of the loudspeaker installation. Failure to properly install the loudspeaker could result in damage, injury, or death.
- ⚠ This product is not intended for installation or use in indoor water facility areas (including, without limitation, indoor pools, indoor water parks, hot tub rooms, saunas, steam rooms and indoor skating rinks).
- ⚠ The hardware for securing the loudspeaker to the mounting surface is not supplied. Consult a building professional for the proper mounting hardware before installing the loudspeaker.
- ⚠ Do not block any ventilation openings. Install in accordance with the manufacturer's instructions.
- ⚠ Do not install near any heat sources such as radiators, heat registers, stoves, or other apparatus (including amplifiers) that produces heat.
- ⚠ Do not mount on surfaces that are not sturdy, or that have hazards concealed behind them, such as electrical wiring or plumbing. If you are not sure about installing the bracket, contact a qualified professional installer. Ensure the bracket is installed according to local building codes.
- ⚠ Do not expose loudspeaker or mounting components to any chemical substances that are not specified by Bose, including but not limited to lubricants, cleaning agents, contact sprays, or other hydrocarbon-based solvents. Exposure to such substances can lead to degradation of the plastic material, resulting in cracking and creating a falling hazard.

## Installation Options



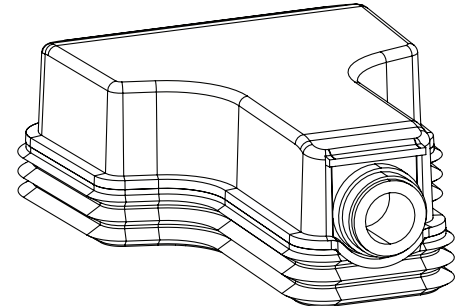
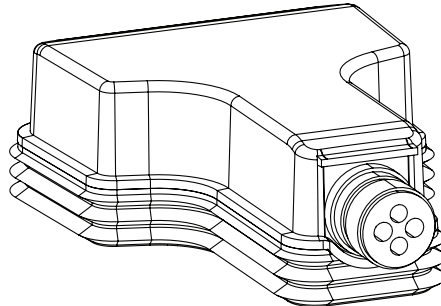
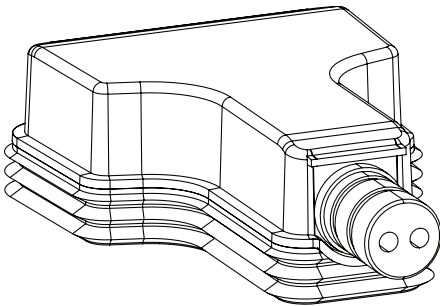
### Installation Options and Accessories

- ❶ Mounting bracket (included)
- ❷ MBPWR-50 pan-and-tilt bracket (optional)

Single In

In and Out

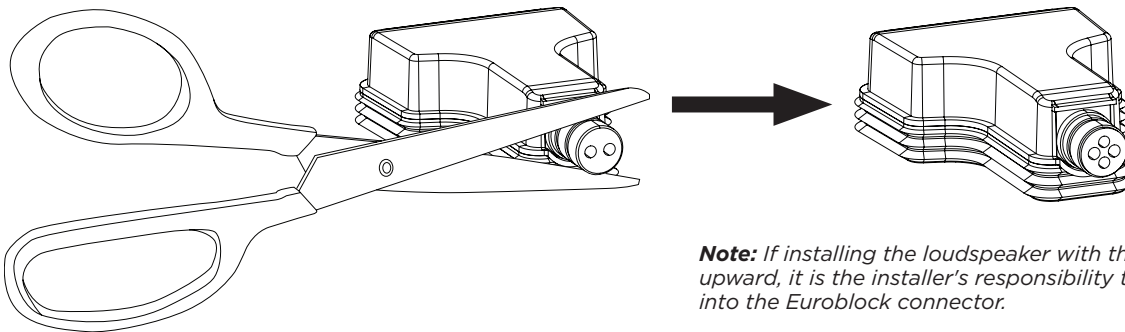
Wide Open



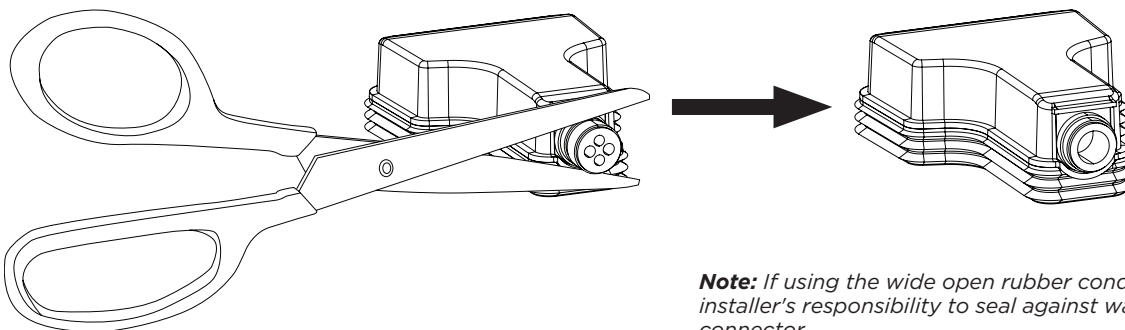
### Preparing the Weather-resistant Input Cover

The weather-resistant input cover is designed for three different wiring scenarios (see above). To change the configuration of the input cover to support your wiring scenario, cut along the perforation on the rubber conduit.

**Note:** Indoor-only applications do not require use of the input cover.



**Note:** If installing the loudspeaker with the rubber conduit facing upward, it is the installer's responsibility to seal against water ingress into the Euroblock connector.



**Note:** If using the wide open rubber conduit configuration, it is the installer's responsibility to seal against water ingress into the Euroblock connector.

# Wiring the Loudspeaker

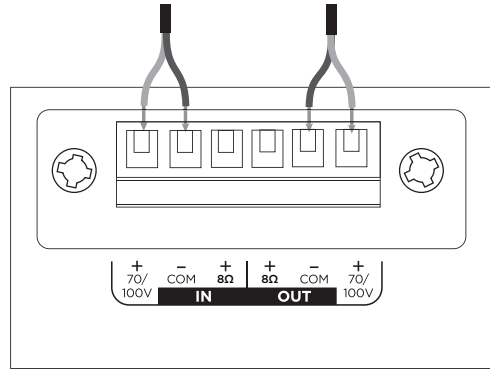
## Wire Gauge

The DesignMax DM6SE loudspeaker is designed to work with 18 AWG (0.8 mm<sup>2</sup>) to 14 AWG (2.1 mm<sup>2</sup>) size wire only.

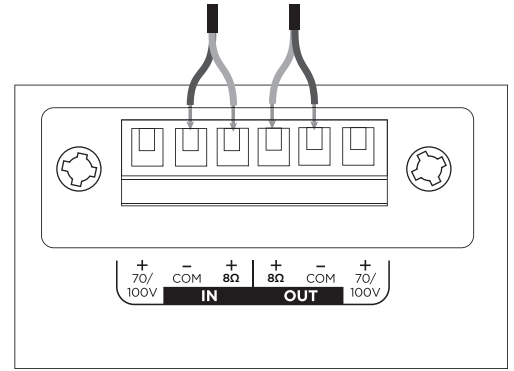
## Connection Diagrams

Expose six millimeters (¼ inch) of bare wire to attach to the terminals.

**Note:** The loudspeaker is not rated for use with a rigid conduit. The loudspeaker is suitable for a flexible conduit or wiring connection only.

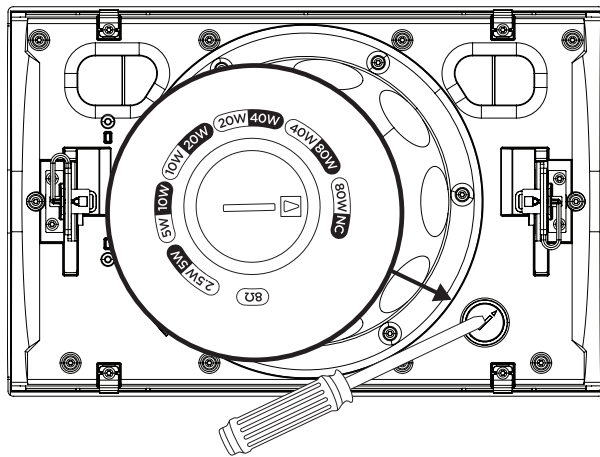


70V/100V



8Ω

## Loudspeaker Settings



70V						8Ω
2.5W	5W	10W	20W	40W	80W*	
100V						
5W	10W	20W	40W	80W	NC**	

\* Factory default

\*\* NC: No Connection (do not use)

## Transformer Tap Setting

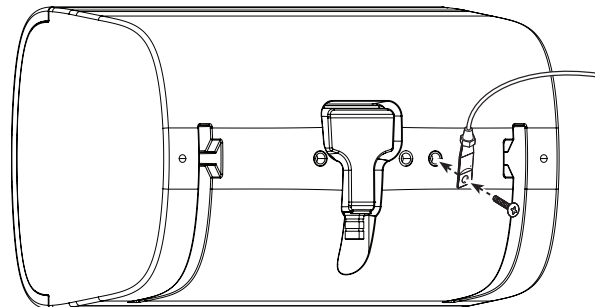
Set tap by turning. Use a flat head screwdriver.

## Using a Safety Cable

Some regional construction codes require the use of a secondary method of securing loudspeakers to support structures to provide additional safety. Choose a mounting position, method, and hardware consistent with local building codes and regulations.

A safety cable can be attached to the loudspeaker using the threaded insert on the back of the enclosure.

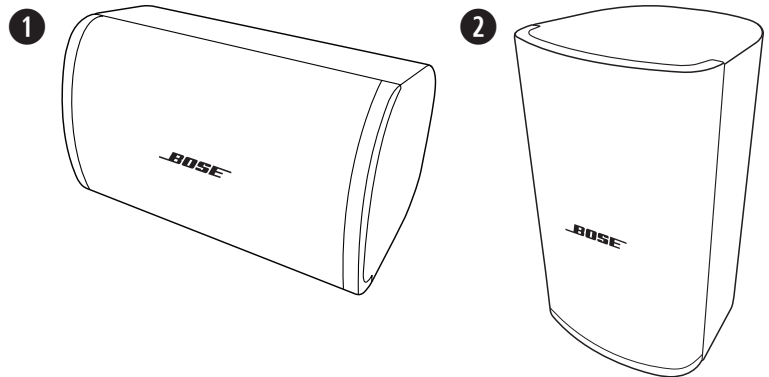
The insert is sized for an M8 screw (not included) with a depth of 15 millimeters (0.59 inches).



## Loudspeaker Orientation

Choose the loudspeaker orientation best suited for your installation.

- ① Horizontal
- ② Vertical



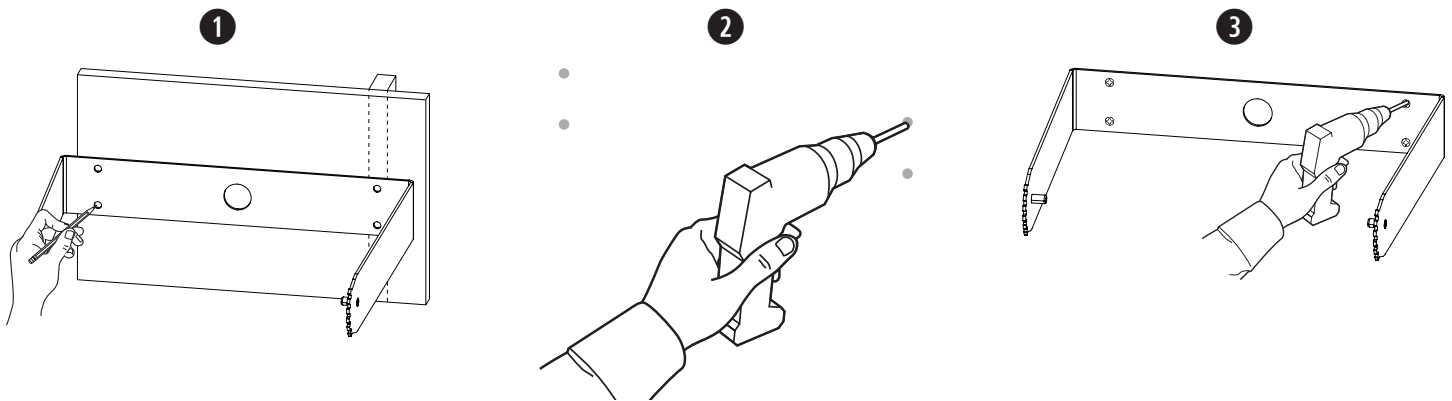
**Note:** Installation in close proximity to cooking surfaces where the loudspeaker may be directly exposed to cooking oils, such as in commercial cooking environments, may decrease the performance or functionality of the loudspeaker.

## Installing the Bracket

**Note:** When choosing an installation location, at least one of the mounting bracket's attachment points must be secured to a support structure. Attachment points not secured to a support structure must be secured using appropriate hardware for the installation. Choose fasteners that are consistent with all local building codes and requirements.

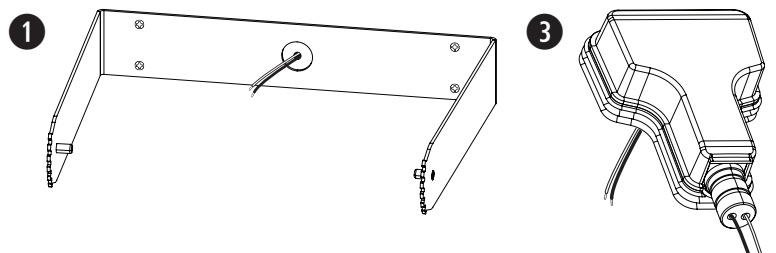
**Note:** Choose appropriate fasteners to support the weight of the loudspeaker (6.40 kg [14.1 lb]).

1. Mark the drill holes.
2. Drill four holes (sized for appropriate fasteners) into the wall.
3. Secure the bracket to the wall with four screws (not included). **Note:** Use M5 or #10 sized screws.



## Wiring the Connector

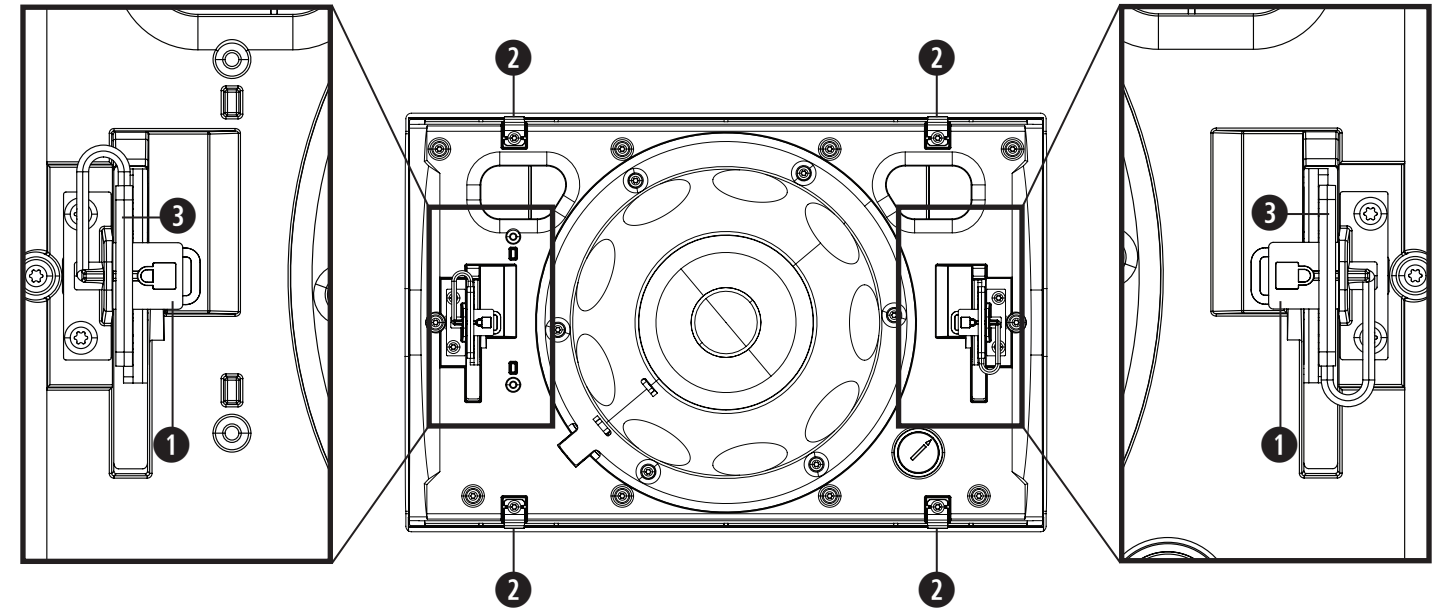
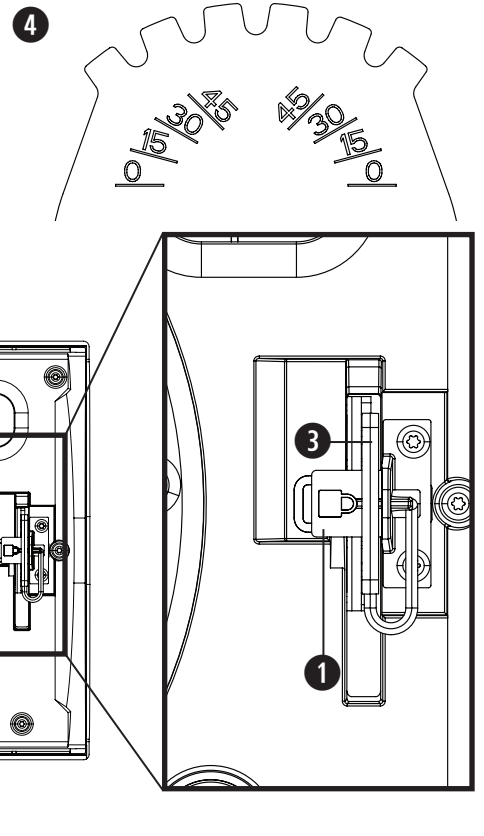
1. Feed the wires through the center hole of the bracket.
2. Remove the connector from the loudspeaker.
3. For outdoor installations, insert the wires through the bottom of the input cover. See **Preparing the Weather-resistant Input Cover** on page 4.
4. Wire the connector. For wiring information, see **Wiring the Loudspeaker** on page 5.





## Important Mounting Information

- ❶ **Bracket lock tabs:** Used to secure the loudspeaker angle.
- ❷ **Grille release tabs:** Used to secure the grille to the loudspeaker.
- ❸ **Lock forks:** Used to secure the loudspeaker to the mounting bracket.
- ❹ **Angle labels (on bracket):** Identify your desired angle position.

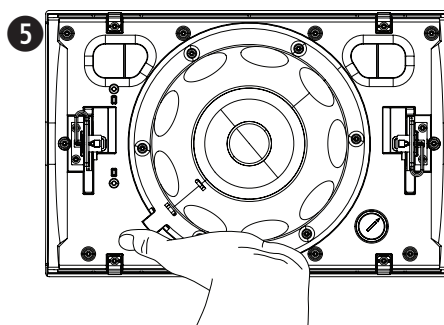
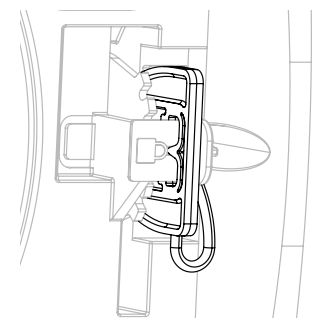
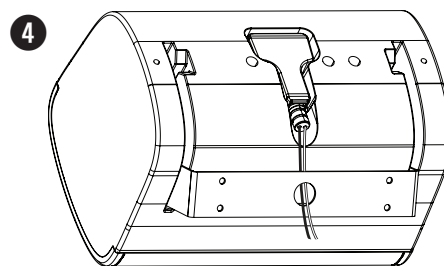
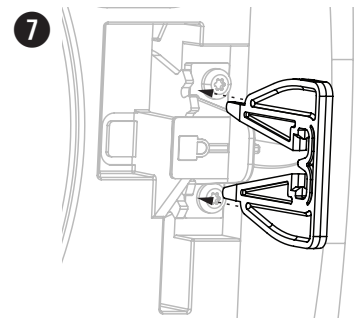
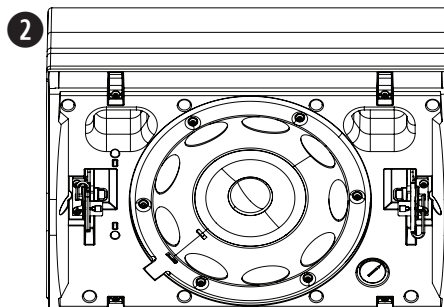


## Installing the Loudspeaker



**WARNING:** Failure to follow the steps below could lead to an unsafe mounting condition, which could create a falling hazard.

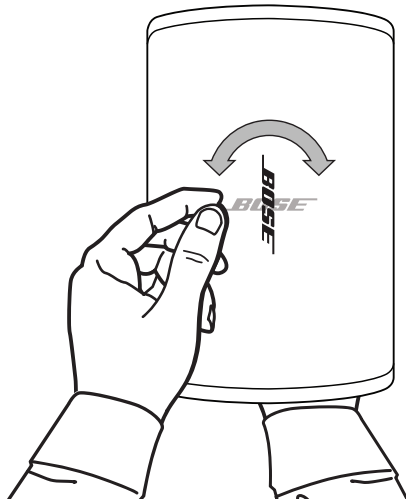
1. Remove the lock forks from the lock tabs. Make sure not to pull the lock fork tethers out of the loudspeaker.
  2. Attach the loudspeaker to the bracket, adjust the loudspeaker to 45°, and lock the tabs into place.
  3. Attach the wired connector to the loudspeaker.
  4. For outdoor installations, place the weather-resistant input cover over the connector and press it firmly against the loudspeaker to create a tight seal. See **Preparing the Weather-resistant Input Cover** on page 4.
  5. Unlock the tabs and adjust the loudspeaker to your desired angle. Make sure to support the weight of the loudspeaker while you adjust the loudspeaker angle.
- Note:** The angle of the loudspeaker can be adjusted to 0°, 15°, 30°, or 45°.
6. Lock the tabs into place.
  7. Press the lock forks onto the lock tabs until the forks sit securely around the tabs.



## Adjusting the Logo

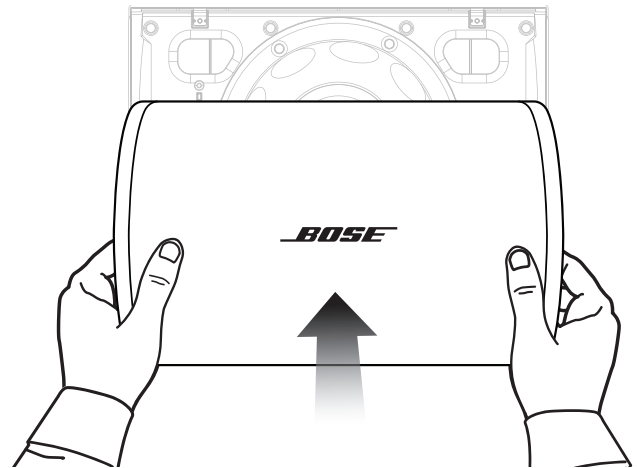
You can rotate the Bose logo to align with your loudspeaker orientation. With one hand, press the button on the back of the grille. Rotate the logo with the other hand. The logo can be rotated clockwise or counterclockwise.

**Note:** Do not pinch the button inward unless you intend to remove the logo.



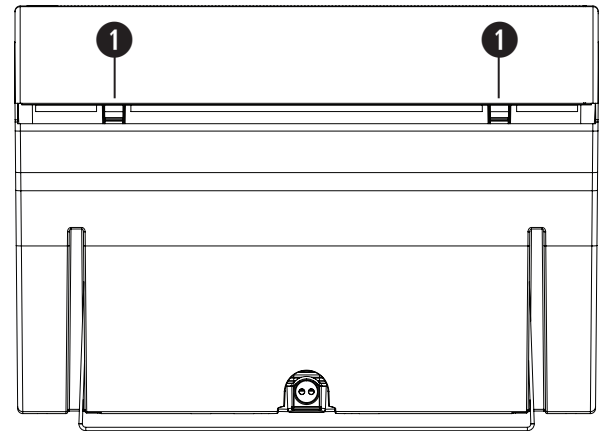
## Attaching the Grille

Place the grille over the front of the loudspeaker and push it firmly until it snaps into place.



## Removing the Grille

There are two small openings on either side of the grille (1). Along the side of the loudspeaker with the bracket slots, insert a small, flat tool into the grille openings to disengage the release tabs. Pull the grille away from the loudspeaker.



## Safety and Regulatory Compliance

The Bose DesignMax DM6SE loudspeaker has passed testing and complies with the following specifications and uses:

- Listed to ANSI/UL 1480A-2016, Speakers for Commercial & Safety Professional Use
- General-Purpose Use - UL Category UEAY, File Number S 5591 Control Number 3N89
- The DesignMax DM6SE is suitable for use outdoors in wet locations
- Suitable for installation using Class 1, Class 2, Class 3 wiring methods in accordance with NFPA 70, National Electrical Code, 2017, Article 640

The DesignMax DM6SE loudspeaker has been designed to the requirements defined in the following European regulatory specification for combination systems:

- Tested to IEC60268-5, 2007