



## DesignMax DM2C-LP In-ceiling Loudspeaker

Installation Guide . . . . .	2	Monteringsveiledning . . . . .	44
Guía de instalación . . . . .	9	Instrukcja montażu . . . . .	51
Notice d'installation . . . . .	16	安装指南 . . . . .	58
Installationsanleitung . . . . .	23	安装指南 . . . . .	65
Guida all'installazione . . . . .	30	設置ガイド . . . . .	72
Installatiehandleiding . . . . .	37	79 . . . . .	دليل التركيب

**Please read and keep all safety and use instructions.**

**This product is intended for installation by professional installers only!** This document is intended to provide professional installers with basic installation and safety guidelines for this product in typical fixed-installation systems. Please read this document and all safety warnings before attempting installation.

Do not attempt to service this product yourself. Refer all servicing to authorized service centers, installers, technicians, dealers or distributors. To contact Bose Professional or to find a dealer or distributor near you, visit **PRO.BOSE.COM**.

1. Read these instructions.
2. Keep these instructions.
3. Heed all warnings.
4. Follow all instructions.
5. Do not use this apparatus near water.
6. Clean only with a dry cloth.
7. Do not block any ventilation openings. Install in accordance with the manufacturer's instructions.
8. Do not install near any heat sources such as radiators, heat registers, stoves, or other apparatus (including amplifiers) that produces heat.
9. Only use attachments/accessories specified by the manufacturer.

**WARNINGS/CAUTIONS**

This product contains magnetic material. Consult your physician on whether this might affect your implantable medical device.

- All Bose products must be installed in accordance with local, state, federal and industry regulations. It is the installer's responsibility to ensure installation of the loudspeakers and mounting system is performed in accordance with all applicable codes, including local building codes and regulations. Consult the local authority having jurisdiction before installing this product.
- Unsafe mounting or overhead suspension of any heavy load can result in serious injury or death, and property damage. It is the installer's responsibility to evaluate the reliability of any mounting method used for their application. Only professional installers with the knowledge of proper hardware and safe mounting techniques should attempt to install any loudspeaker overhead.
- Do not mount the product in locations where condensation may occur.
- This product is not intended for installation or use in indoor water facility areas (including, without limitation, indoor pools, indoor water parks, hot tub rooms, saunas, steam rooms and indoor skating rinks).
- Do not mount on surfaces that are not sturdy, or that have hazards concealed behind them, such as electrical wiring or plumbing. If you are not sure about installing the bracket, contact a qualified professional installer. Ensure the bracket is installed according to local building codes.
- Use only the hardware and accessories included or specified by Bose for use with DesignMax DM2C-LP loudspeakers. For information on compatible accessories, see the product's technical data sheet at **PRO.BOSE.COM**.
- Keep the product away from fire and heat sources. Do not place naked flame sources, such as lighted candles, on or near the product.
- Do not make unauthorized alterations to this product.
- Do not use hydrocarbon based solvents, lubricants or cleaning agents of any type on or around this loudspeaker and associated mounting hardware during installation. Exposure to such substances can lead to degradation of the plastic material, resulting in cracking and creating a falling hazard.
- Clean speakers using only a dry cloth. Do not expose loudspeaker to soap, detergent, mineral oil, alcohol or other cleaning agents or chemicals.
- The grille is equipped with a safety lanyard pin designed for a single use.

**Product Ratings:**

Input Voltage: 70V/100V  
 Impedance: 16 Ω, 16 W  
 Current or Power: (70V): 1.2W, 2.3W, 4.5W, 9W; (100V): 2.3W, 4.5W, 9W

**Regulatory Information**

This product conforms to all applicable EU directive requirements. The complete declaration of conformity can be found at: [www.Bose.com/compliance](http://www.Bose.com/compliance).

This symbol means the product must not be discarded as household waste, and should be delivered to an appropriate collection facility for recycling. Proper disposal and recycling helps protect natural resources, human health and the environment. For more information on disposal and recycling of this product, contact your local municipality, disposal service, or the shop where you bought this product.

**China Restriction of Hazardous Substances Table**

Names and Contents of Toxic or Hazardous Substances or Elements						
Part Name	Toxic or Hazardous Substances and Elements					
	Lead (Pb)	Mercury (Hg)	Cadmium (Cd)	Hexavalent Chromium (Cr(VI))	Polybrominated Biphenyl (PBB)	Polybrominated diphenylether (PBDE)
PCBs	X	0	0	0	0	0
Metal Parts	X	0	0	0	0	0
Plastic Parts	0	0	0	0	0	0
Speakers	X	0	0	0	0	0
Cables	X	0	0	0	0	0

This table is prepared in accordance with the provisions of SJ/T 11364.  
 0: Indicates that this toxic or hazardous substance contained in all of the homogeneous materials for this part is below the limit requirement of GB/T 26572.  
 X: Indicates that this toxic or hazardous substance contained in at least one of the homogeneous materials used for this part is above the limit requirement of GB/T 26572.

**Taiwan Restriction of Hazardous Substances Table**

Equipment name: DesignMax DM2C-LP, Type designation: 796780						
Unit	Restricted substances and its chemical symbols					
	Lead (Pb)	Mercury (Hg)	Cadmium (Cd)	Hexavalent chromium (Cr+6)	Polybrominated biphenyls (PBB)	Polybrominated diphenyl ethers (PBDE)
PCBs	-	0	0	0	0	0
Metal Parts	-	0	0	0	0	0
Plastic Parts	0	0	0	0	0	0
Speakers	-	0	0	0	0	0
Cables	-	0	0	0	0	0

**Note 1:** "0" indicates that the percentage content of the restricted substance does not exceed the percentage of reference value of presence.  
**Note 2:** The "-" indicates that the restricted substance corresponds to the exemption.

**Date of Manufacture:** The eighth digit in the serial number indicates the year of manufacture; "7" is 2007 or 2017.

**China Importer:** Bose Electronics (Shanghai) Company Limited, Part C, Plant 9, No. 353 North Ruyi Road, China (Shanghai) Pilot Free Trade Zone

**EU Importer:** Bose Products B.V., Gorslaan 60, 1441 RG Purmerend, The Netherlands

**Mexico Importer:** Bose de México, S. de R.L. de C.V., Paseo de las Palmas 405-204, Lomas de Chapultepec, 11000 México, D.F. For importer & service information: +5255 (5202) 3545

**Taiwan Importer:** Bose Taiwan Branch, 9F-A1, No. 10, Section 3, Minsheng East Road, Taipei City 104, Taiwan. Phone Number: +886-2-2514 7676

Bose and DesignMax are trademarks of Bose Corporation.

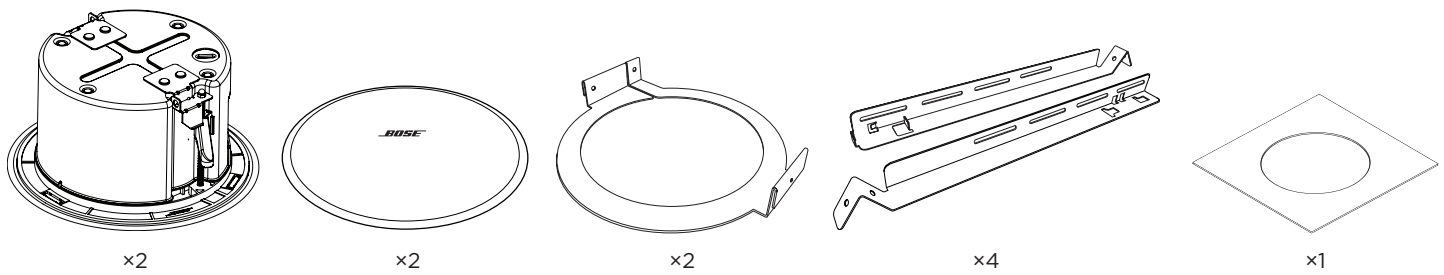
Bose Corporation Headquarters: 1-877-230-5639

©2019 Bose Corporation. No part of this work may be reproduced, modified, distributed or otherwise used without prior written permission.

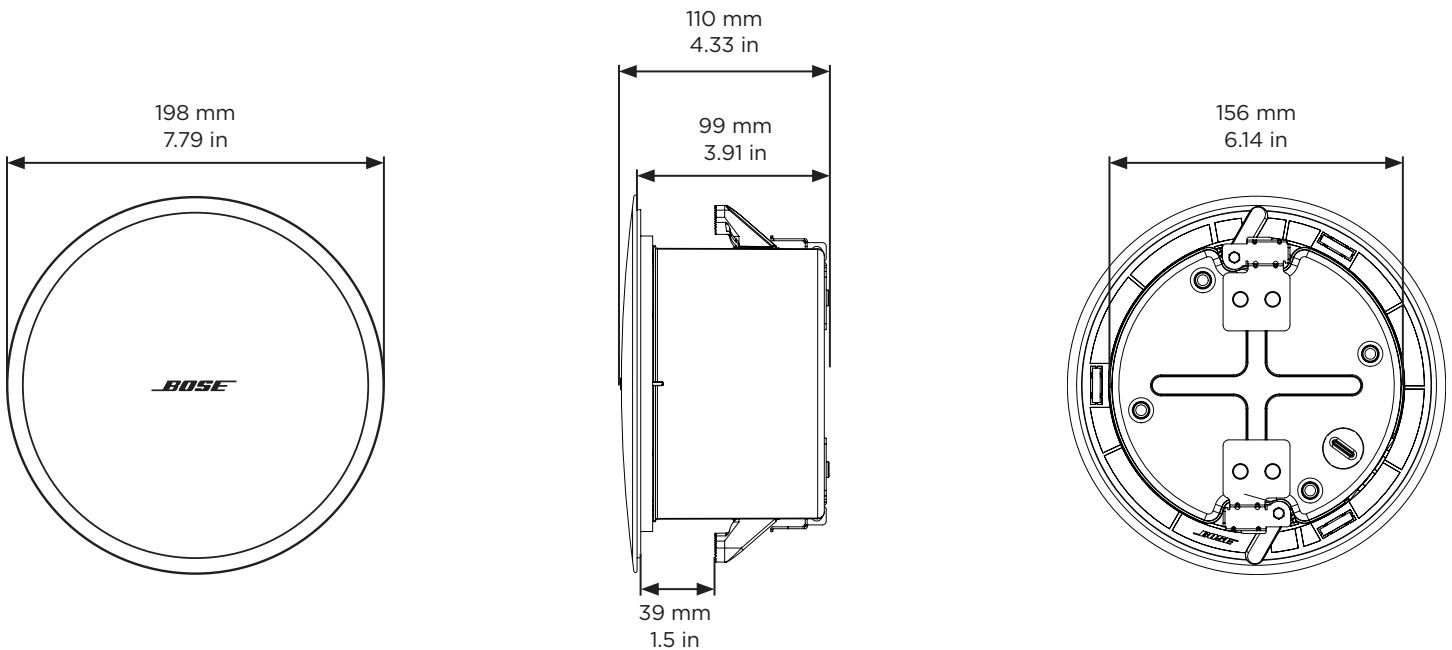
**Warranty Information**

This product is covered by a limited warranty. For warranty details, visit **PRO.BOSE.COM**.

## Package Contents



## Product Dimensions



## Technical Specifications

For additional specifications, see the DesignMax DM2C-LP technical data sheet at [PRO.BOSE.COM](http://PRO.BOSE.COM).


Physical	
<b>Product Dimensions</b>	Grille diameter: 198 mm (7.79 in)
	Enclosure diameter: 156 mm (6.14 in)
	Backcan depth: 99 mm (3.91 in)
<b>Hole cutout</b>	165 mm (6.5 in)
<b>Maximum Ceiling Thickness</b>	39 mm (1.5 in)
<b>Net Weight, Loudspeaker with grille (single)</b>	1.63 kg (3.6 lb)
<b>Net Weight, Tile Bridge (single)</b>	0.72 kg (1.6 lb)
<b>Shipping Weight (pair)</b>	5.99 kg (13.2 lb)

## Important Installation Information


 It is the installer's responsibility to ensure installation of the loudspeakers and mounting system is performed in accordance with all applicable codes, including local building codes and regulations. Consult the local authority having jurisdiction before installing this product.

It is the responsibility of the installer to ensure the safety of the loudspeaker installation. Failure to properly install the loudspeaker could result in damage, injury, or death.

Do not mount the product in locations where condensation may occur.

 This product is not intended for installation or use in indoor water facility areas (including, without limitation, indoor pools, indoor water parks, hot tub rooms, saunas, steam rooms and indoor skating rinks).

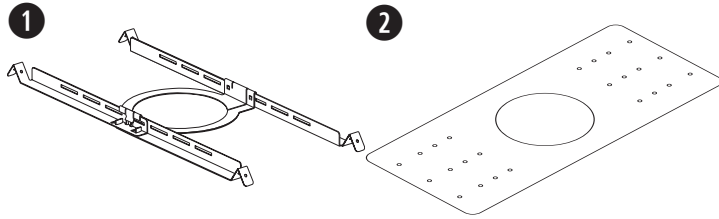
Do not mount on surfaces that are not sturdy, or that have hazards concealed behind them, such as electrical wiring or plumbing. If you are not sure about installing the bracket, contact a qualified professional installer. Ensure the bracket is installed according to local building codes.

 Do not use hydrocarbon based solvents, lubricants or cleaning agents of any type on or around this loudspeaker and associated mounting hardware during installation. Exposure to such substances can lead to degradation of the plastic material, resulting in cracking and creating a falling hazard.

## Installation Options

### Installation Options and Accessories

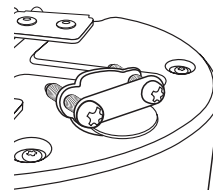
- ❶ Adjustable Tile Bridge (included)
- ❷ Rough-in Pan (optional)



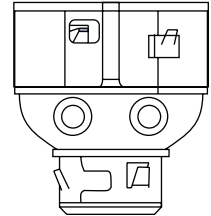
### Conduit Fitting

If using a flexible metal conduit, use with a  $\frac{3}{8}$ -inch conduit fitting or a  $\frac{3}{8}$ -inch dual (duplex) connector.

**Note:** Conduit fittings are not provided.



$\frac{3}{8}$ -inch single in



$\frac{3}{8}$ -inch duplex in/loop

### Choosing an Installation Method

#### ❶ Top Knockout

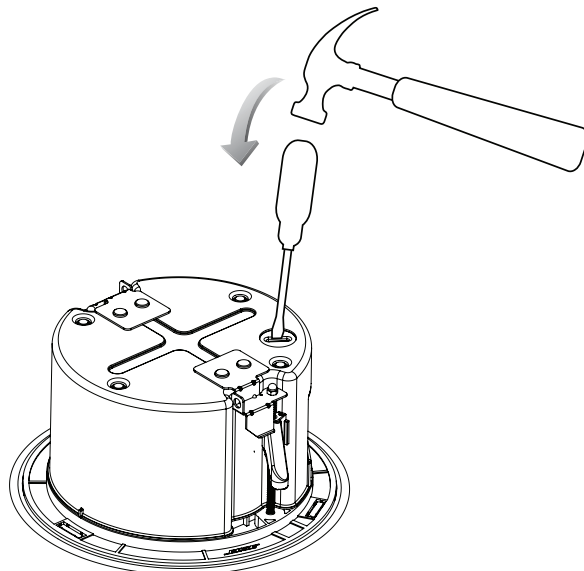
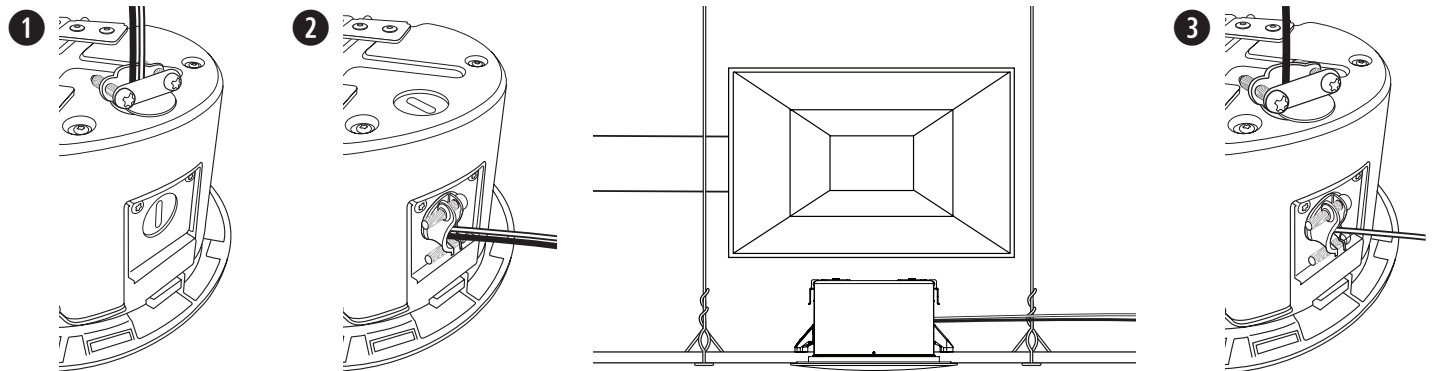
Use the top knockout when there is available space above the ceiling.

#### ❷ Side Knockout

Use the side knockout when there is limited space above the ceiling.

#### ❸ Both Knockouts

Use both knockouts when an independent signal-in and signal-out wiring scheme is required and there is available space above the ceiling.



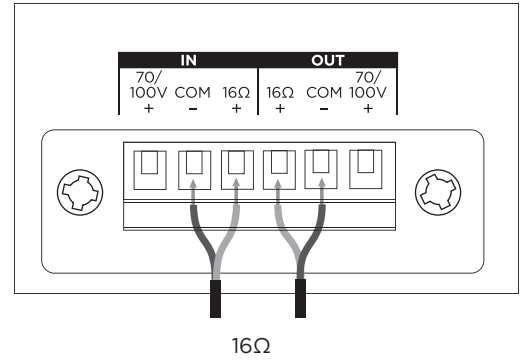
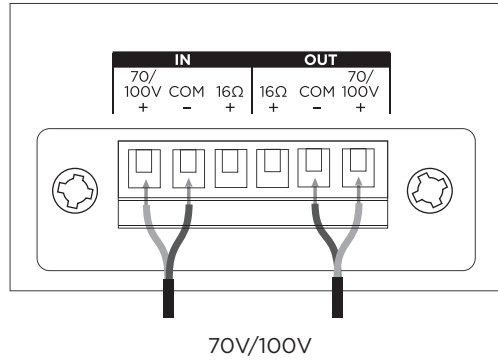
## Wiring the Loudspeaker

### Wire Gauge

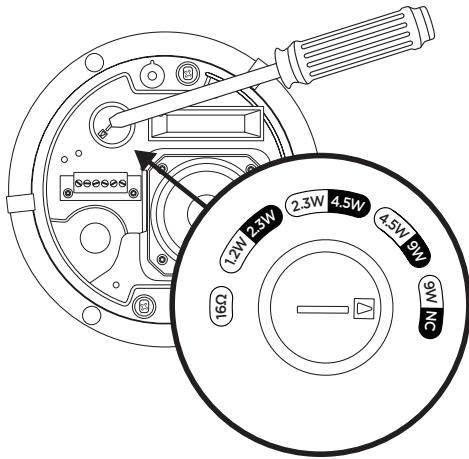
The DesignMax DM2C-LP loudspeaker is designed to work with 18 AWG (0.8 mm<sup>2</sup>) to 14 AWG (2.1 mm<sup>2</sup>) size wire only.

### Connection Diagrams

Expose six millimeters (¼ inch) of bare wire to attach to the terminals.



### Loudspeaker Settings



70V				16Ω
1.2W	2.3W	4.5W	9W*	
2.3W	4.5W	9W	NC**	
100V				

\* Factory default

\*\* NC: No Connection (do not use)

### Transformer Tap Setting

Set tap by turning. Use a flat head screwdriver.

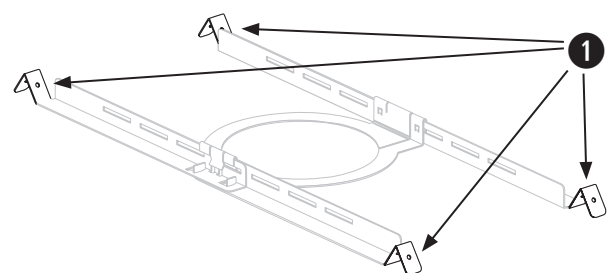
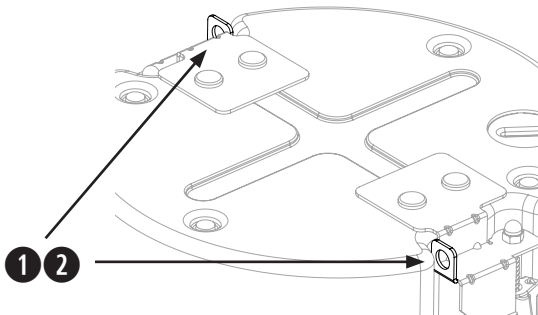
## Preparing the Installation

### Using a Safety Cable

Some regional construction codes require the use of a secondary method of securing loudspeakers to support structures to provide additional safety. Choose a mounting position, method, and hardware consistent with local building codes and regulations.

Bose recommends using (1) a safety wire or (2) a safety cable as a secondary securing mechanism. See the diagrams below for safety attachment points.

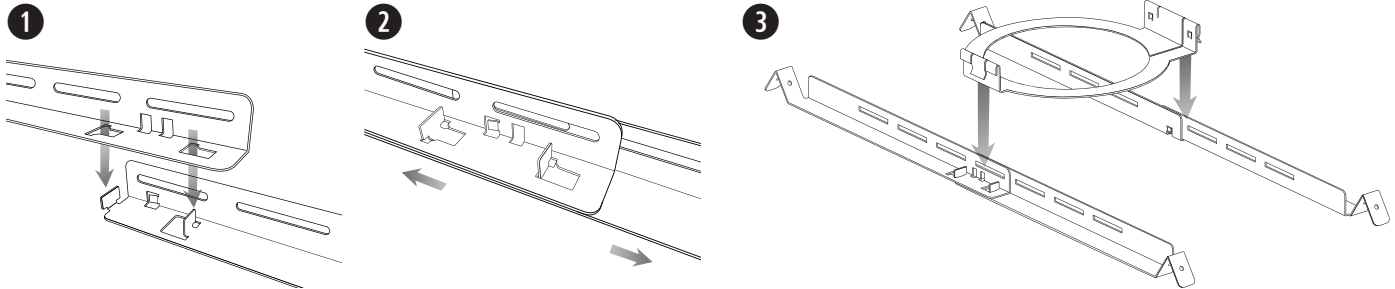
Follow the manufacturer's instructions for any secondary securing mechanism implemented.



## Assembling the Tile Bridge

**Note:** If you are installing in a hard ceiling, assemble the tile bridge after inserting the rails and ring through the hole cutout (see page 7).

1. Align the rails and insert the tabs into the slots.
2. Pull the rails outward to secure them together.
3. Align the rails parallel to each other and press the tile bridge ring down to secure the ring to the rails.

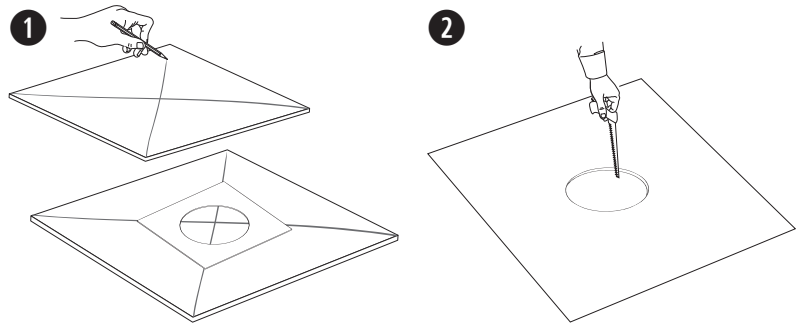


**Note:** Installation in close proximity to cooking surfaces where the loudspeaker may be directly exposed to cooking oils, such as in commercial cooking environments, may decrease the performance or functionality of the loudspeaker.

## Preparing Acoustic Ceiling Tile

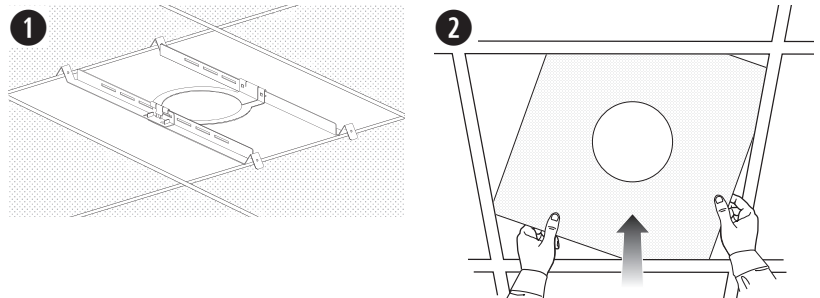
### Cutting the Ceiling Tile

1. Remove the tile and use the template to trace a loudspeaker hole onto the tile. To center the template on the tile, draw an X by connecting the corners diagonally and center the template using the crossing point.
2. Cut a hole into the tile.



### Installing the Tile Bridge

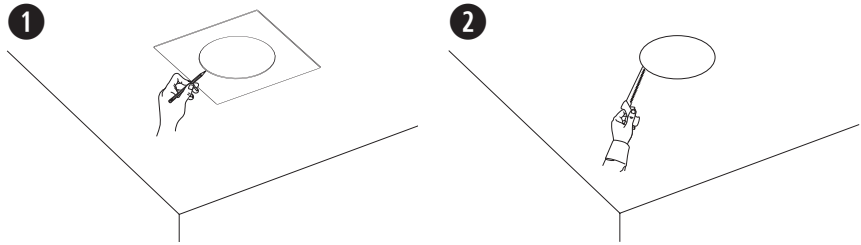
1. Place the assembled tile bridge across the ceiling grid. If necessary, adjust the tile bridge so the rails rest on the ceiling grid.
2. Replace the tile in the ceiling.



## Preparing Hard Ceiling (Existing Construction)

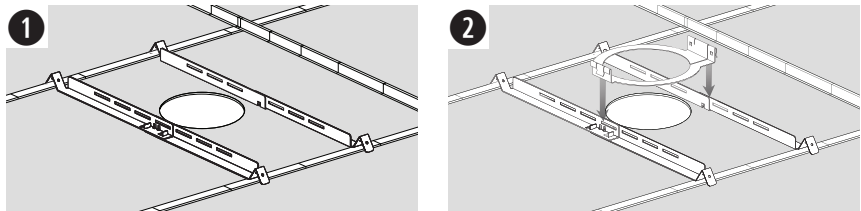
### Cutting the Ceiling

1. Use the template to trace a hole onto the ceiling.
2. Cut a hole into the ceiling.



### Installing the Tile Bridge

1. Insert the tile bridge rails and ring through the hole and place the rails parallel to each other across the ceiling grid or ceiling furring.
2. Assemble the tile bridge.

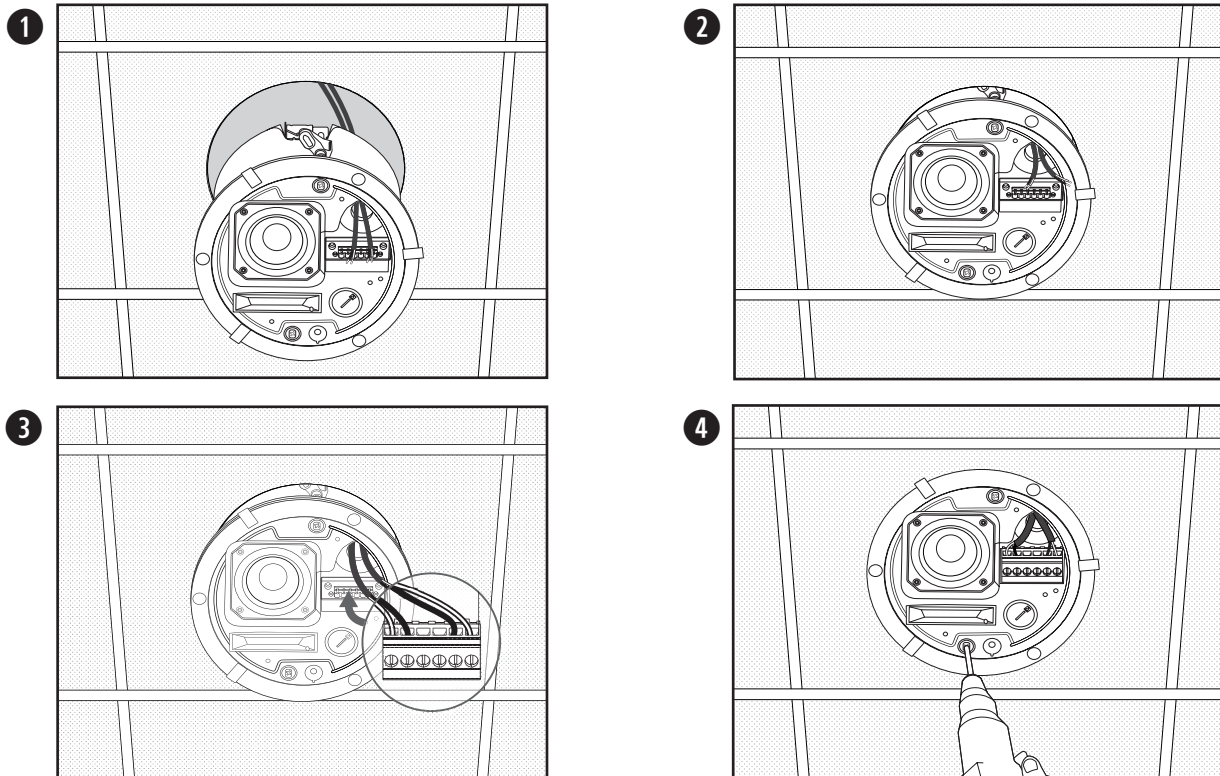


## Mounting the Loudspeaker

1. Pass the audio wire through the wire opening.
2. Insert the loudspeaker through the hole and into the tile bridge. Make sure the anchors engage on the tile bridge before loosening your grip on the loudspeaker.
3. Remove the connector, wire the connector, and reinsert the connector into the loudspeaker. For wiring information, see **Wiring the Loudspeaker** on page 5.
4. Tighten the anchor arm screws to secure the loudspeaker. If using a power drill, set to a low torque setting.



**WARNING:** Over-tightening the screws may result in damage to the anchor attachment point or the ceiling, which could lead to a falling hazard.

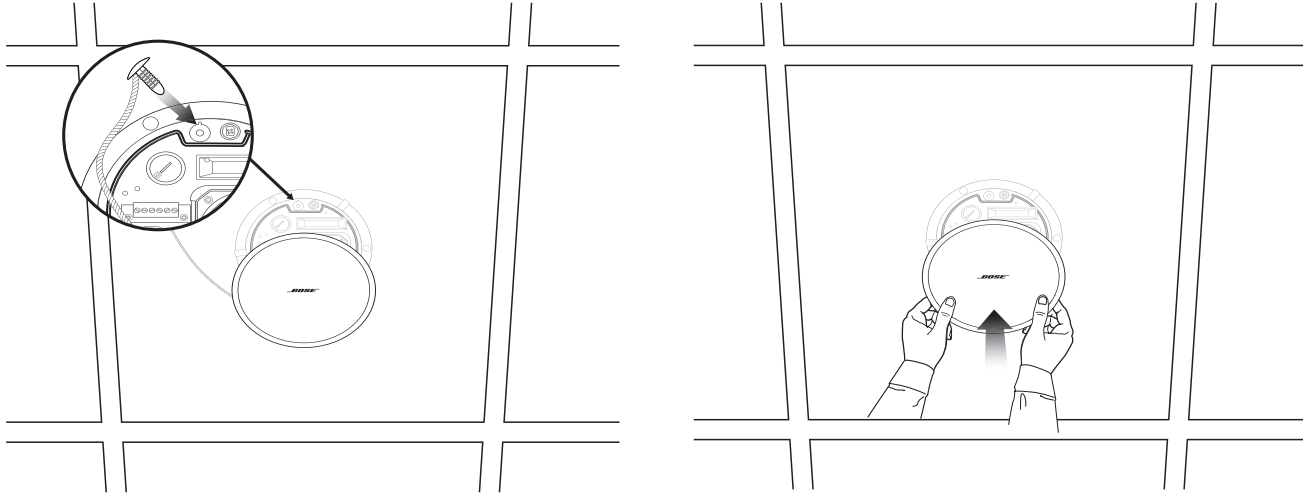


## Installing in Hard Ceiling Using a Rough-in Pan (New Construction)

For information on installing a rough-in pan, see the DesignMax Rough-in Pan installation guide at [PRO.BOSE.COM](http://PRO.BOSE.COM). Once the rough-in pan is installed, see **Mounting the Loudspeaker** on page 7.

### Attaching the Grille

Insert the safety lanyard pin into the hole in the loudspeaker. Using both hands, position the grille against the loudspeaker. The grille secures to the loudspeaker magnetically.



### Safety and Regulatory Compliance

The Bose DesignMax DM2C-LP loudspeaker has passed testing and complies with the following specifications and uses:

Listed to ANSI/UL 1480A-2016, Speakers for Commercial & Safety Professional Use

General-Purpose Use - UL Category UEAY, File Number S 5591 Control Number 3N89

UL-2043, 2013, Fire Test and Visible Smoke Release for Discrete Products and their Accessories Installed in Air Handling Spaces. Suitable for use in air handling (plenum) spaces.

Suitable for installation using Class 1, Class 2, Class 3 wiring methods in accordance with NFPA 70, National Electrical Code, 2017, Article 640

NFPA 70, National Electrical Code, 2017, Article 300-22(c)

NFPA 90-A, 2015, Installation of Air Conditioning and Ventilation Systems, Paragraph 4.3.11.2.6.5

The DesignMax DM2C-LP loudspeaker has been designed to the requirements defined in the following European regulatory specification for combination systems:

Tested to IEC60268-5, 2007



**Lea y conserve todas las instrucciones de uso y seguridad.**

**Este producto está diseñado para ser instalado únicamente por instaladores profesionales.** Este documento está diseñado para proveer las pautas de seguridad e instalación básicas a los instaladores profesionales de este producto en sistemas de instalación fija comunes. Lea este documento y todas las advertencias de seguridad antes de comenzar la instalación.

No intente reparar este producto por su cuenta. Remita todas las reparaciones a centros de servicio, instaladores, técnicos o distribuidores autorizados. Para comunicarse con Bose Professional o para encontrar un distribuidor cerca de usted, visite **PRO.BOSE.COM**.

1. Lea estas instrucciones.
2. Guarde estas instrucciones.
3. Preste atención a las advertencias.
4. Siga todas las instrucciones.
5. No use este aparato cerca del agua.
6. Límpielo solamente con un paño seco.
7. No obstruya ninguna abertura de ventilación. Realice la instalación conforme a las instrucciones del fabricante.
8. No lo instale cerca de una fuente de calor, como radiadores, rejillas de calefacción, estufas u otros aparatos (incluidos los amplificadores) que produzcan calor.
9. Utilice solamente los accesorios especificados por el fabricante.

**ADVERTENCIAS/PRECAUCIONES**

Este producto contiene materiales magnéticos. Consulte con su médico si esto podría llegar a afectar un dispositivo médico implantado.

- Todos los productos Bose deben instalarse conforme a las leyes locales, estatales, federales y del sector. Es responsabilidad del instalador garantizar que la instalación del sistema de soporte y los altavoces se realice conforme a los códigos aplicables, incluidos los códigos y las reglamentaciones de construcción locales. Consulte a la autoridad local competente antes de instalar este producto.
- El montaje inseguro o la suspensión en alturas de cualquier carga pesada pueden provocar lesiones graves o la muerte, además de daños a la propiedad. Es responsabilidad del instalador evaluar la confiabilidad de cualquier método de montaje utilizado para su aplicación. Únicamente los instaladores profesionales con conocimiento de las herramientas adecuadas y las técnicas de montaje seguro deberían intentar instalar cualquier altavoz en altura.
- No instale el producto en lugares donde se pueda generar condensación.
- Este producto no está diseñado para ser instalado ni utilizado en zonas de instalaciones acuáticas en interiores (incluidos, entre otros, piscinas techadas, parques acuáticos techados, jacuzzis, saunas, salas de vapor y pistas de patinaje techadas).
- Monte únicamente en superficies que sean resistentes o que no presenten peligros ocultos, como cableado eléctrico o plomería. Si no está seguro acerca de cómo instalar el soporte, comuníquese con un instalador profesional cualificado. Asegúrese de que el soporte esté instalado de acuerdo con los códigos locales de construcción.
- Utilice solo el hardware y los accesorios incluidos, o bien los que Bose especifica como aptos para los altavoces DesignMax DM2C-LP. Para obtener información sobre los accesorios compatibles, consulte la hoja de datos técnicos del producto en **PRO.BOSE.COM**.
- Mantenga el producto lejos del fuego y de fuentes de calor. No coloque sobre el producto, o en su proximidad, fuentes de llamas sin protección; por ejemplo, velas encendidas.
- No realice alteraciones no autorizadas a este producto.
- Durante la instalación, no utilice ningún tipo de solventes, lubricantes ni productos de limpieza a base de hidrocarburos en este altavoz o alrededor de él, ni en los accesorios de montaje asociados. La exposición a estas sustancias puede degradar el plástico, lo que produce grietas y el riesgo de que se caiga el dispositivo.
- Limpie los altavoces solo con un paño seco. No exponga los altavoces a detergentes, aceite mineral, alcohol ni otros agentes o químicos de limpieza.
- La rejilla cuenta con un cordón con amarre de seguridad diseñado para usarlo solo una vez.

**Información normativa**

Este producto cumple con todos los requisitos correspondientes de la Directiva de la UE. La declaración de conformidad completa se puede encontrar en: **www.Bose.com/compliance**.



Este símbolo indica que el producto no se debe desechar como residuo doméstico y se debe enviar a una planta para tratamiento de residuos apropiada para su reciclado. Una eliminación y un reciclado adecuados ayudan a proteger los recursos naturales, la salud humana y el medioambiente. Para obtener más información acerca de la eliminación y el reciclado de este producto, comuníquese con su municipalidad local, un centro de servicios de desecho o la tienda donde compró este producto.

**Fecha de fabricación:** El octavo dígito del número de serie indica el año de fabricación; p. ej., "7" es 2007 o 2017.

**Importador para China:** Bose Electronics (Shanghái) Company Limited, Part C, Plant 9, N° 353 North Riyang Road, China (Shanghái), Zona franca piloto

**Importador para la UE:** Bose Products B.V., Gorslaan 60, 1441 RG Purmerend, Países Bajos

**Importador para México:** Bose de México, S. de R.L. de C.V., Paseo de las Palmas 405-204, Lomas de Chapultepec, 11000 México, D.F. Para obtener información sobre el servicio y el importador, comuníquese al: +5255 (5202) 3545

**Importador para Taiwán:** Bose Taiwan Branch, 9F-A1, N° 10, Section 3, Minsheng East Road, Taipei City 104, Taiwán. Número telefónico: +886-2-2514 7676

Bose y DesignMax son marcas comerciales de Bose Corporation.

Oficinas centrales de Bose Corporation: 1-877-230-5639

©2019 Bose Corporation. Ninguna parte de este trabajo podrá reproducirse, modificarse, distribuirse ni usarse sin un permiso previo por escrito.

**Información de la garantía**

Este producto está cubierto con una garantía limitada. Para ver los detalles de la garantía, visite **PRO.BOSE.COM**.

**Especificaciones del producto:**

Voltaje de entrada: 70 V/100 V

Impedancia: 16 Ω, 16 W

Opciones de potencia de salida: (70 V): 1.2 W, 2.3 W, 4.5 W, 9 W; (100 V): 2.3 W, 4.5 W, 9 W