

POWERED SPEAKER

DXR Series

U BRACKET

DXR8 DXR10 DXR12 DXR15

UB-DXR8 / UB-DXR10 / UB-DXR12 / UB-DXR15

SERVICE MANUAL

• POWERED SPEAKER DXR8/DXR10/DXR12/DXR15



DXR8



DXR10

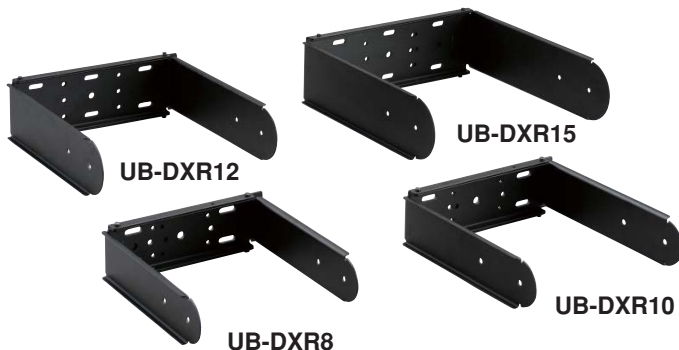


DXR12



DXR15

• U BRACKET UB-DXR8/UB-DXR10/UB-DXR12/UB-DXR15



UB-DXR12

UB-DXR15

UB-DXR8

UB-DXR10

■ CONTENTS (目次)

SPECIFICATIONS (総合仕様).....	3
PANEL LAYOUT (パネルレイアウト).....	4
CIRCUIT BOARD LAYOUT (ユニットレイアウト)....	5
DIMENSIONS (寸法図).....	7
DISASSEMBLY PROCEDURE (分解手順).....	8
LSI PIN DESCRIPTION (LSI 端子機能表).....	26
CIRCUIT BOARDS (シート基板図).....	27
TEST PROGRAM (テストプログラム).....	35
INSPECTIONS (検査).....	45
UPDATING (アップデート).....	55
PARTS LIST	
BLOCK DIAGRAM (ブロックダイアグラム)	
LEVEL DIAGRAM (レベルダイアグラム)	
CIRCUIT DIAGRAM (回路図)	
UB-DXR8/UB-DXR10/UB-DXR12/UB-DXR15 SERVICE MANUAL	

PA 012041

DXR8: 201202-71400
DXR10: 201202-81900
DXR12: 201202-92400
DXR15: 201202-102900

UB-DXR8: 201202-10500
UB-DXR10: 201202-10500
UB-DXR12: 201202-15750
UB-DXR15: 201202-15750

YAMAHA

HAMAMATSU, JAPAN

Copyright (c) Yamaha Corporation. All rights reserved. PDF (R) (C) '12.03

IMPORTANT NOTICE

This manual has been provided for the use of authorized Yamaha Retailers and their service personnel. It has been assumed that basic service procedures inherent to the industry, and more specifically Yamaha Products, are already known and understood by the users, and have therefore not been restated.

WARNING : Failure to follow appropriate service and safety procedures when servicing this product may result in personal injury, destruction of expensive components and failure of the product to perform as specified. For these reasons, we advise all Yamaha product owners that all service required should be performed by an authorized Yamaha Retailer or the appointed service representative.

IMPORTANT : This presentation or sale of this manual to any individual or firm does not constitute authorization certification, recognition of any applicable technical capabilities, or establish a principal-agent relationship of any form.

The data provided is believed to be accurate and applicable to the unit(s) indicated on the cover. The research engineering, and service departments of Yamaha are continually striving to improve Yamaha products. Modifications are, therefore, inevitable and changes in specification are subject to change without notice or obligation to retrofit. Should any discrepancy appear to exist, please contact the distributor's Service Division.

WARNING : Static discharges can destroy expensive components. Discharge any static electricity your body may have accumulated by grounding yourself to the ground bus in the unit (heavy gauge black wires connect to this bus.)

IMPORTANT : Turn the unit **OFF** during disassembly and parts replacement. Recheck **all** work before you apply power to the unit.

WARNING: This product contains chemicals known to the State of California to cause cancer, or birth defects or other reproductive harm. **DO NOT PLACE SOLDER, ELECTRICAL/ELECTRONIC OR PLASTIC COMPONENTS IN YOUR MOUTH FOR ANY REASON WHAT SO EVER!**

Avoid prolonged, unprotected contact between solder and your skin! When soldering, do not inhale solder fumes or expose eyes to solder/flux vapor!

If you come in contact with solder or components located inside the enclosure of this product, wash your hands before handling food.


IMPORTANT NOTICE FOR THE UNITED KINGDOM**Connecting the Plug and Cord**

WARNING: THIS APPARATUS MUST BE EARTHED IMPORTANT.

The wires in this mains lead are coloured in accordance with the following code:

GREEN-AND-YELLOW	: EARTH
BLUE	: NEUTRAL
BROWN	: LIVE

As the colours of the wires in the mains lead of this apparatus may not correspond with the coloured markings identifying the terminals in your plug proceed as follows:


The wire which is coloured GREEN-and-YELLOW must be connected to the terminal in the plug which is marked by the letter E or by the safety earth symbol  or colored GREEN or GREEN-and-YELLOW.

The wire which is coloured BLUE must be connected to the terminal which is marked with the letter N or coloured BLACK.

The wire which is coloured BROWN must be connected to the terminal which is marked with the letter L or coloured RED.

(3 wires)

WARNING

Components having special characteristics are marked  and must be replaced with parts having specification equal to those originally installed.



印の部品は、安全を維持するために重要な部品です。交換する場合は、安全のために必ず指定の部品をご使用ください。

SPECIFICATIONS (総合仕様)

General		DXR8	DXR10	DXR12	DXR15
System Type		2-way, Bi-amp Powered Speaker, Bass-reflex Type			
Frequency Range (-10dB)		57Hz – 20kHz	56Hz – 20kHz	52Hz – 20kHz	49Hz – 20kHz
Coverage Angle		H90° x V60° Constant Directivity Horn			
Crossover Type		FIR-X tuning™ (Linear Phase FIR Filter)			
Crossover Frequency		2.4kHz	2.3kHz	2.1kHz	2.1kHz
Measured Maximum SPL (peak) IEC noise@1m		129dB SPL	131dB SPL	132dB SPL	133dB SPL
Transducer		DXR8	DXR10	DXR12	DXR15
LF	Diameter	8" Cone	10" Cone	12" Cone	15" Cone
	Voice coil	2"	2"	2.5"	2.5"
	Magnet	Ferrite			
HF	Diaphragm	1.4"			
	Type	1" Throat Compression Driver			
	Magnet	Ferrite			
Enclosure		DXR8	DXR10	DXR12	DXR15
Material, Finish, Color		ABS, Matte Black			
Floor Monitor Angle		–	50°	50° Symmetrical	50° Symmetrical
Dimensions (WxHxD, with rubber feet)		280x458x280 mm (11" x 18" x 11")	305x502x310 mm (12" x 19-3/4" x 12-1/4")	362x601x350 mm (14-1/4" x 23-5/8" x 13-3/4")	445x700x380 mm (17-1/2" x 27-1/2" x 15")
Net Weight		13.5kg (29.8lbs)	14.6kg (32.2lbs)	19.3kg (42.5lbs)	22.5kg (49.6lbs)
Handles		Aluminium die-cast (Top x 1)		Aluminium die-cast (Side x 2)	
Pole Socket		35mm with 2-way feature (0 or 7 degree)			
Rigging points		Top x 2, Rear x 1 (Fits for M8 x 15mm eyebolts)		Top x 2, Rear x 1 (Fits for M10 x 18mm eyebolts)	
Optional Accessory (U-bracket)		UB-DXR8	UB-DXR10	UB-DXR12	UB-DXR15
Amplifier		DXR8	DXR10	DXR12	DXR15
Amplifier Type		Class-D			
Power Rating *1	Dynamic	1100W (LF: 950W, HF: 150W)			
	Continuous	700W (LF: 600W, HF: 100W)			
Cooling		Fan cooling, 4 speeds			
AD/DA		24bit 48kHz sampling			
Signal Processing		48bit (Accumulator: 76bit)			
HPF/LPF		OFF, 100, 120Hz 24dB/oct HPF			
DSP preset		D-CONTOUR: FOH/MAIN, MONITOR, OFF			
Protection	Speaker	Clip limiting, Integral Power Protection, DC-fault			
	Amplifier	Thermal, Output over current			
	Power supply	Thermal, Output over voltage, Output over current			
Connectors	Input	INPUT1: XLR3-31 x 1, INPUT2: Phone x 2 (Unbalanced), INPUT3: RCA PIN x 2 (Unbalanced)			
	Output	THRU: XLR3-32 x 1 (Parallel with INPUT1), LINK OUT: XLR x1			
Input Impedance	INPUT1	LINE: 12kΩ, MIC: 8kΩ			
	INPUT2, 3	L, R: 40kΩ, MONO: 20kΩ			
Input Sensitivity (LEVEL: Maximum)	INPUT1	LINE: +1dBu, MIC: -32dBu			
	INPUT2, 3	-13dBu			
Input Sensitivity (LEVEL: Center)	INPUT1	LINE: +11dBu, MIC: -22dBu			
	INPUT2, 3	-3dBu			
Maximum Input Level	INPUT1	LINE: +24dBu, MIC: +20dBu			
	INPUT2, 3	+16dBu			
Controls		LEVEL x3, LINE/MIC, HPF, D-CONTOUR, FRONT LED DISABLE, LINK MODE, POWER			
Idle Power Consumption		35W			
1/8 Power Consumption		90W		110W	
Power Requirements		100V – 240V, 50Hz/60Hz			

0dBu is referenced to 0.775Vrms.

*1 Power rating (120V, 25°C). This is total value of individual output power.

• Included Accessories

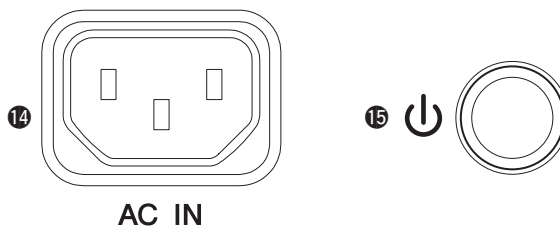
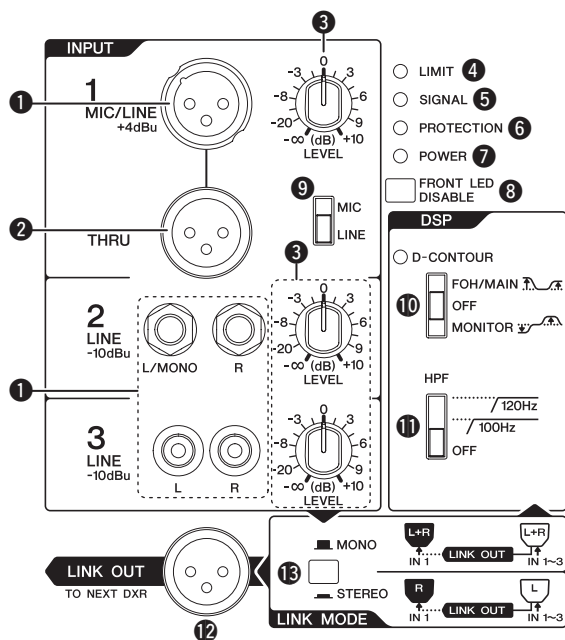
- AC power cord
- Owner's manual

• 付属品

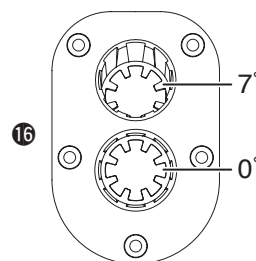
- 電源コード
- 取扱説明書

■ PANEL LAYOUT (パネルレイアウト)

• Rear panel (リアパネル)



• Tiltable pole socket (チルト可能ポールソケット)

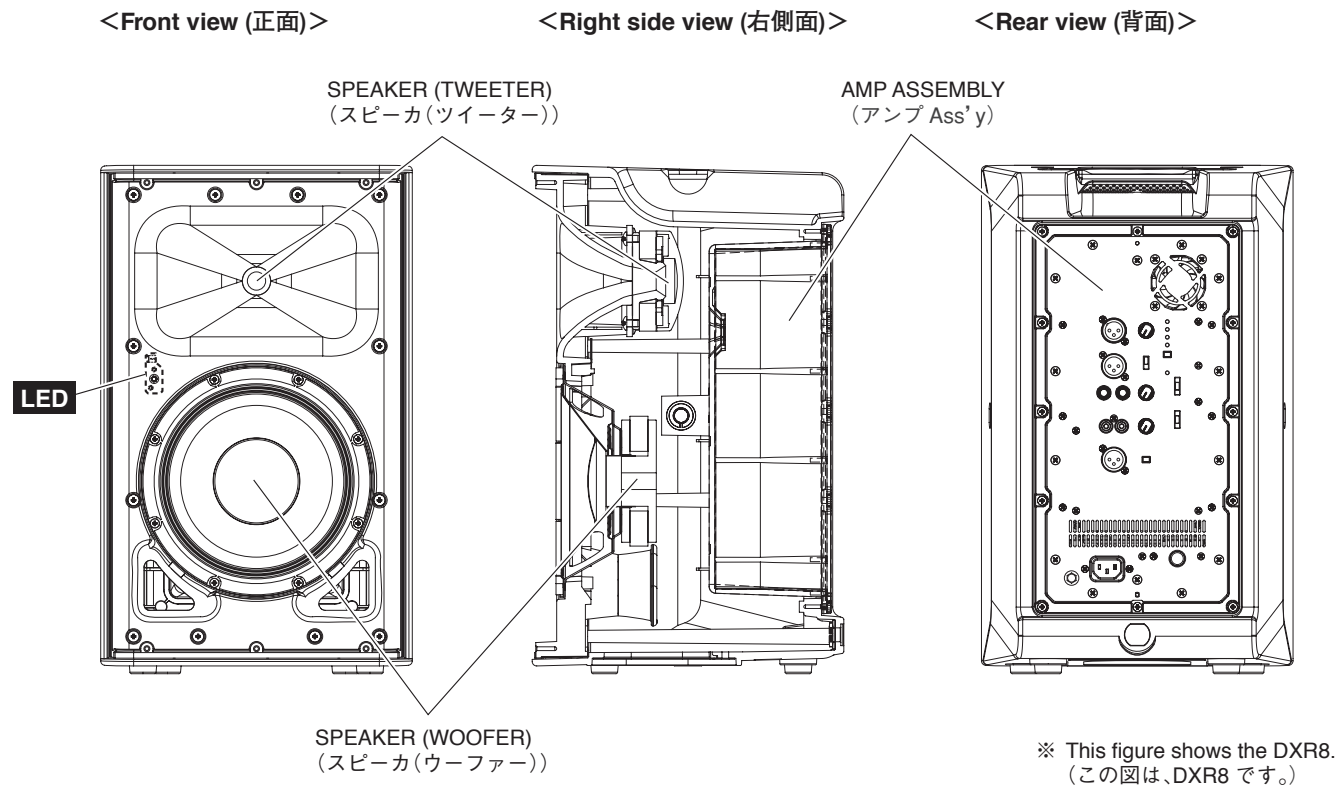


- ① [INPUT] jacks
- ② [THRU] jack
- ③ [LEVEL] control
- ④ [LIMIT] indicator
- ⑤ [SIGNAL] indicator
- ⑥ [PROTECTION] indicator
- ⑦ [POWER] indicator
- ⑧ [FRONT LED DISABLE] switch
- ⑨ [MIC/LINE] switch
- ⑩ [D-CONTOUR] switch
- ⑪ [HPF] switch
- ⑫ [LINK OUT] jack
- ⑬ [LINK MODE] switch
- ⑭ [AC IN] socket
- ⑮ Power switch
- ⑯ Tiltable pole socket

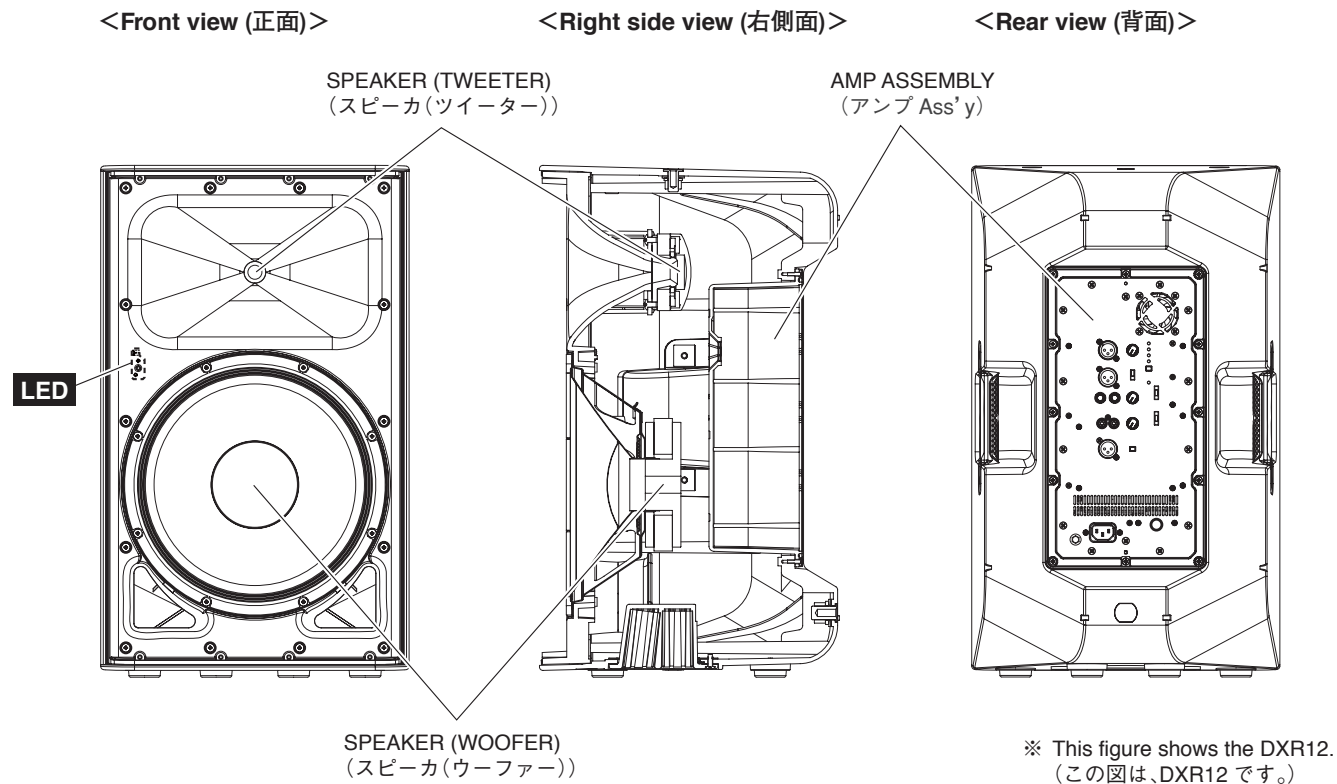
- ① [INPUT] 端子
- ② [THRU] 端子
- ③ [LEVEL] コントロール
- ④ [LIMIT] インジケータ
- ⑤ [SIGNAL] インジケータ
- ⑥ [PROTECTION] インジケータ
- ⑦ [POWER] インジケータ
- ⑧ [FRONT LED DISABLE] スイッチ
- ⑨ [MIC/LINE] スイッチ
- ⑩ [D-CONTOUR] スイッチ
- ⑪ [HPF] スイッチ
- ⑫ [LINK OUT] 端子
- ⑬ [LINK MODE] スイッチ
- ⑭ [AC IN] 端子
- ⑮ 電源スイッチ
- ⑯ チルト可能ポールソケット

CIRCUIT BOARD LAYOUT (ユニットレイアウト)

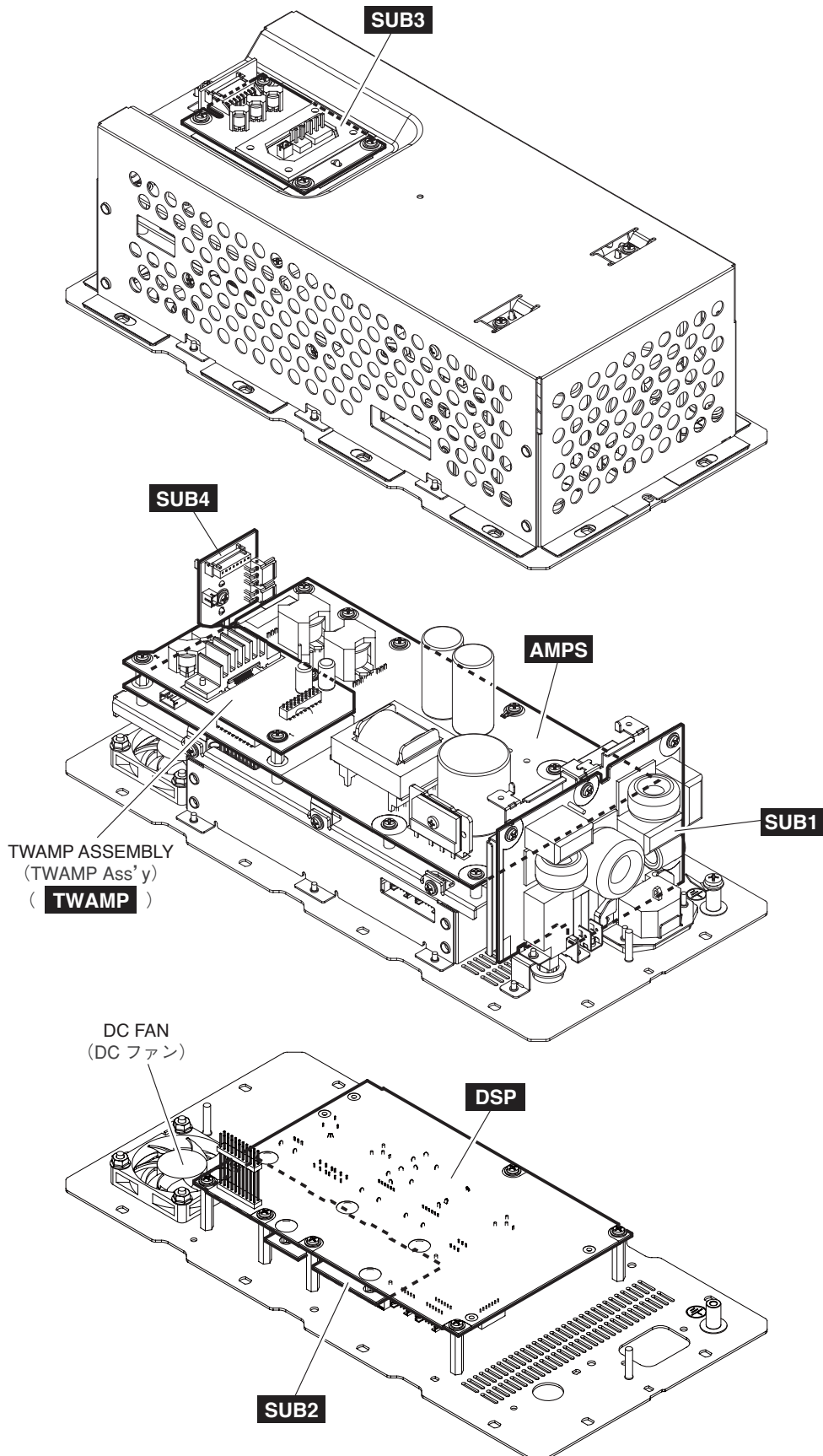
● DXR8 / DXR10



● DXR12 / DXR15

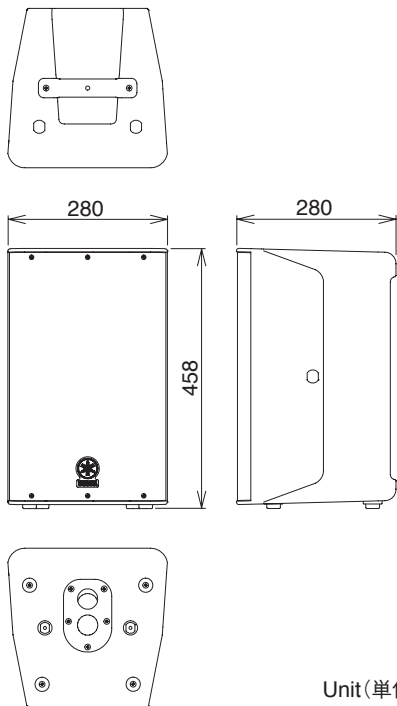


● AMP ASSEMBLY (アンプAss'y)

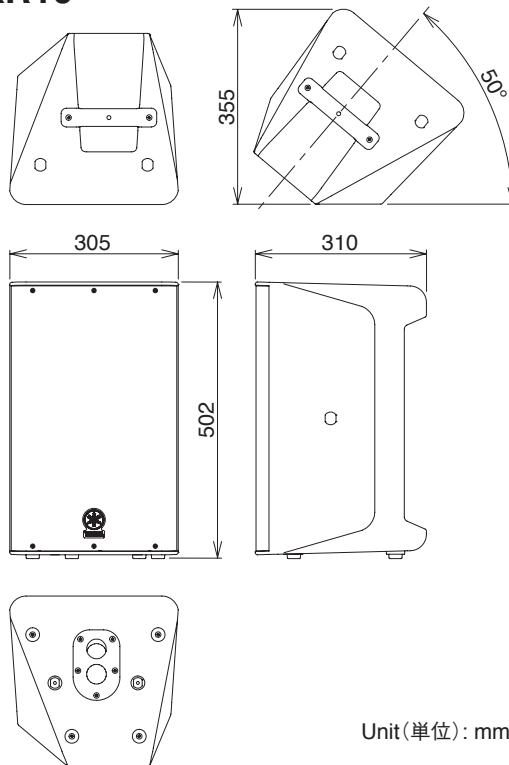


■ DIMENSIONS (寸法図)

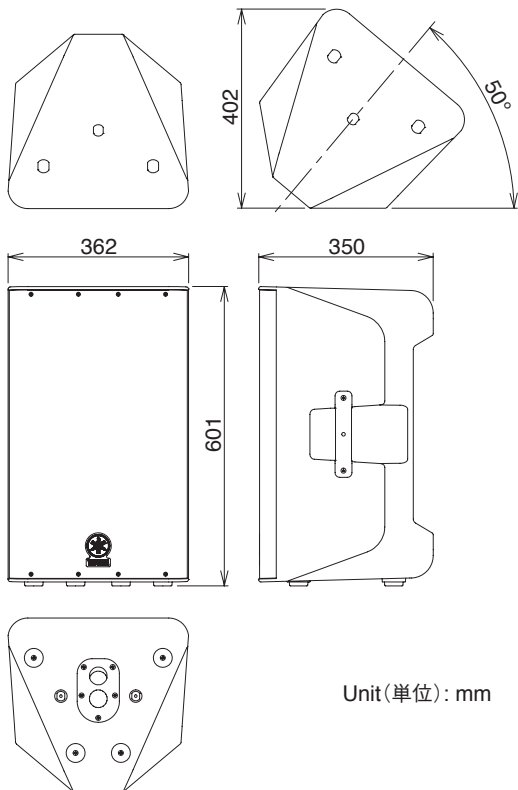
DXR8



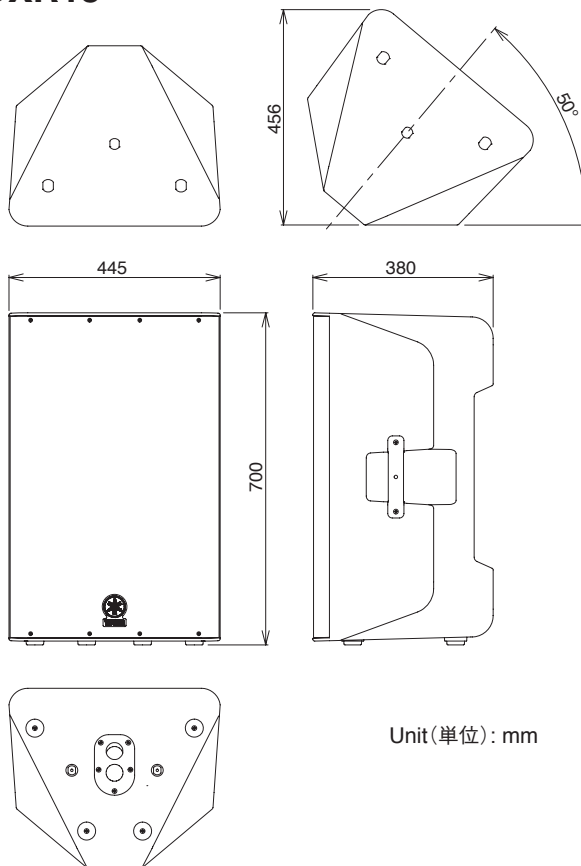
DXR10



DXR12



DXR15



DISASSEMBLY PROCEDURE (分解手順)

A. Disassembly of DXR8/DXR10

A-1. Metal Grille Assembly (Time required: About 1 minute)

A-1-1 Remove the six (6) screws marked [150]. The metal grille assembly can then be removed. (Fig. A-1)

- * **When installing the metal grille assembly, first tighten the two (2) priority screws as shown in Fig. A-1.**

A-2. Speaker (Woofer) (Time required: About 3 minutes)

A-2-1 Remove the metal grille assembly. (See procedure A-1.)

A-2-2 Remove the eight (8) screws marked [50]. The speaker (woofer) can then be removed. (Fig. A-2, Fig. A-3)

- * **When installing the speaker (woofer), first tighten the four (4) priority screws in order as shown in Fig. A-3.**

A-2-3 Remove the LFSPOUT connector assembly (red/black) attached to the speaker (woofer) terminal. (Fig. A-2, Fig. A-4)

- * **The speaker (woofer) is heavy. Be careful not to drop it.**

A. DXR8/DXR10 の分解

A-1. メタルグリル Ass'y (所要時間：約1分)

A-1-1 [150] のネジ 6 本を外して、メタルグリル Ass'y を外します。(図 A-1)

- ※ メタルグリル Ass'y を取り付けるときは、図に示す優先ネジ 2 本を先に締めてください。(図 A-1)

A-2. スピーカ (ウーファー) (所要時間：約3分)

A-2-1 メタルグリル Ass'y を外します。(A-1 項参照)

A-2-2 [50] のネジ 8 本を外して、スピーカ (ウーファー) を外します。(図 A-2、図 A-3)

- ※ スピーカ (ウーファー) を取り付けるときは、優先ネジ 4 本を図に示す順番で先に締めてください。(図 A-3)

A-2-3 スピーカ (ウーファー) 端子に取り付けられている LFSPOUT 束線 (赤/黒) を外します。(図 A-2、図 A-4)

- ※ スピーカ (ウーファー) は重量がありますので、落下させない様に注意してください。

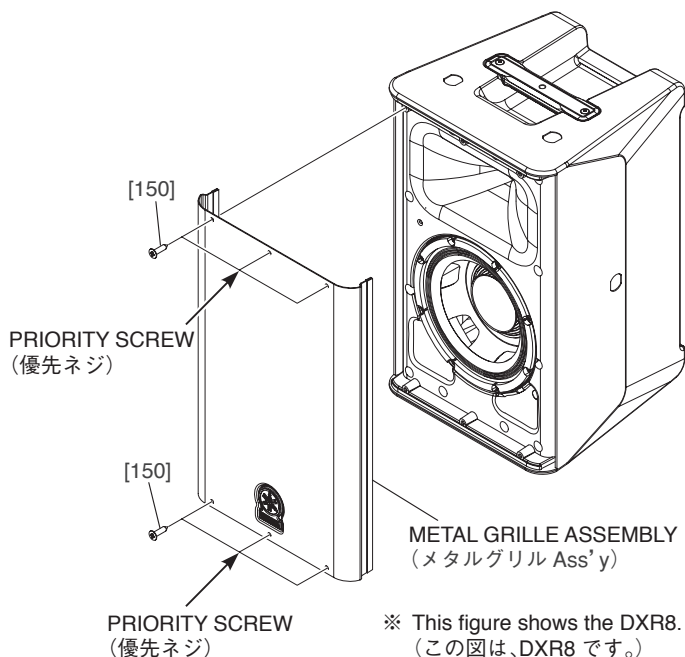


Fig. A-1 (図A-1)

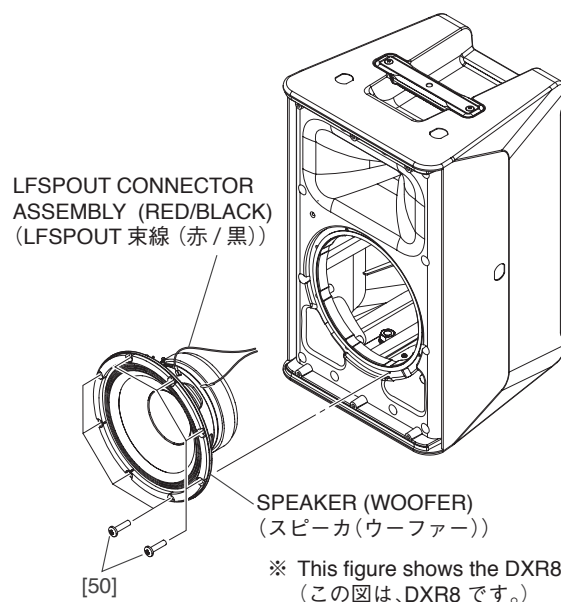


Fig. A-2 (図A-2)

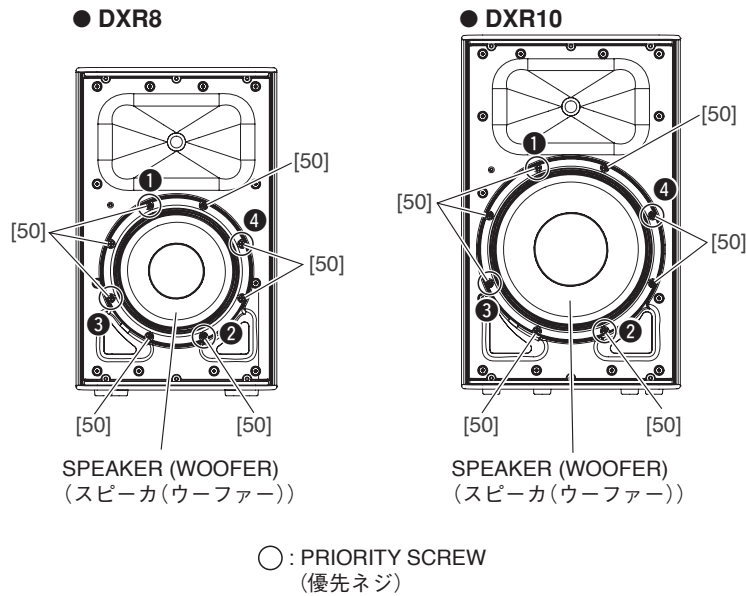


Fig. A-3 (図A-3)

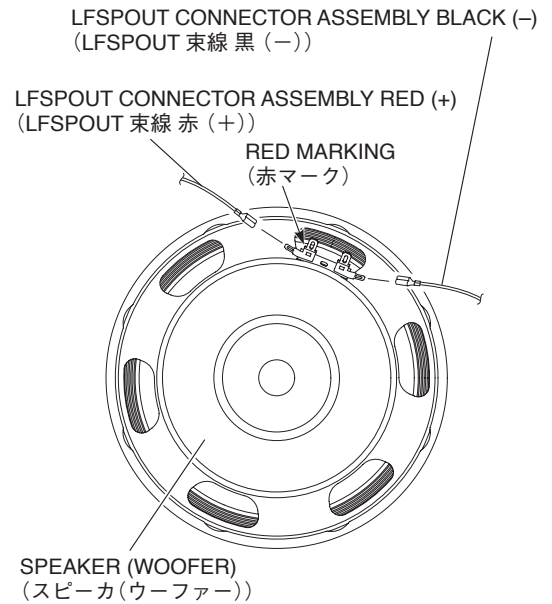


Fig. A-4 (図A-4)

A-3. Baffle Assembly
(Time required: About 4 minutes)

A-3-1 Remove the metal grille assembly. (See procedure A-1.)

A-3-2 DXR8:

Remove the twelve (12) screws marked [30A]. The baffle assembly can then be removed. (Fig. A-5, Fig. A-6)

DXR10:

Remove the fourteen (14) screws marked [30B]. The baffle assembly can then be removed. (Fig. A-5, Fig. A-6)

* DXR8:

When installing the baffle assembly, first tighten the four (4) priority screws as shown in Fig. A-6.

DXR10:

When installing the baffle assembly, first tighten the six (6) priority screws in order as shown in Fig. A-6.

A-3-3 Disconnect the connectors of the LFSPOUT connector assembly (red/black), HFSPOUT connector assembly (yellow/blue) and C&C connector assembly (red/white) from the amp assembly. (Fig. A-5, Photo A-1)

* **Take care not to open the baffle assembly too wide or these connector assemblies may be damaged.** (Fig. A-5, Photo A-1)

A-3. バッフル Ass'y (所要時間：約4分)

A-3-1 メタルグリル Ass'y を外します。(A-1 項参照)

A-3-2 DXR8:

[30A] のネジ 12 本を外して、バッフル Ass'y を外します。(図 A-5、図 A-6)

DXR10:

[30B] のネジ 14 本を外して、バッフル Ass'y を外します。(図 A-5、図 A-6)

※ DXR8:

バッフル Ass'y を取り付けるときは、図に示す優先ネジ 4 本を先に締めてください。(図 A-6)

DXR10:

バッフル Ass'y を取り付けるときは、優先ネジ 6 本を図に示す順番で先に締めてください。(図 A-6)

A-3-3 アンプ Ass'y から LFSPOUT 束線 (赤/黒)、HFSPOUT 束線 (黄/青)、C&C 束線 (赤/白) のコネクタを外します。(図 A-5、写真 A-1)

※ バッフル Ass'y を開きすぎて、これらの束線を傷めないように注意してください。(図 A-5、写真 A-1)

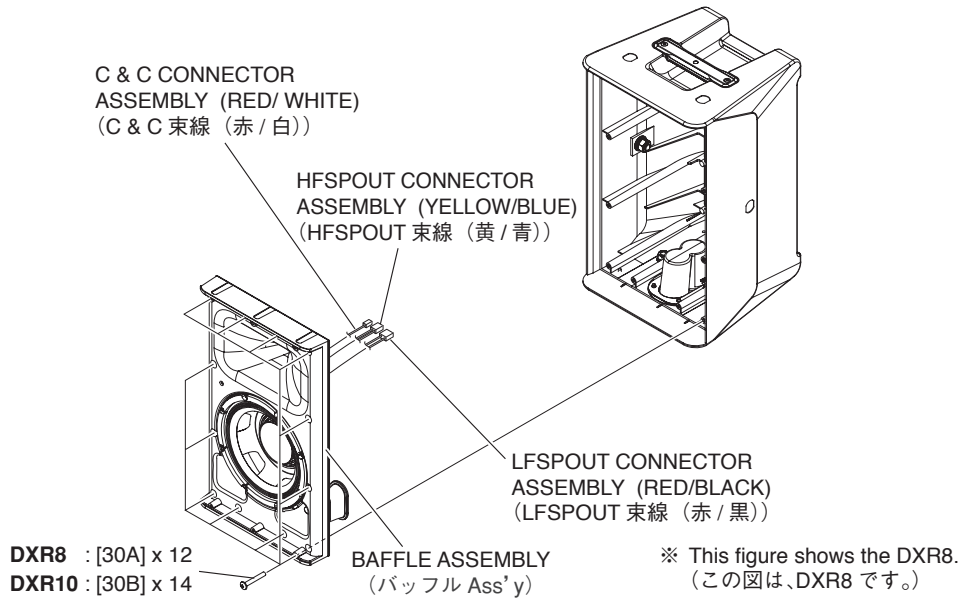


Fig. A-5 (図A-5)

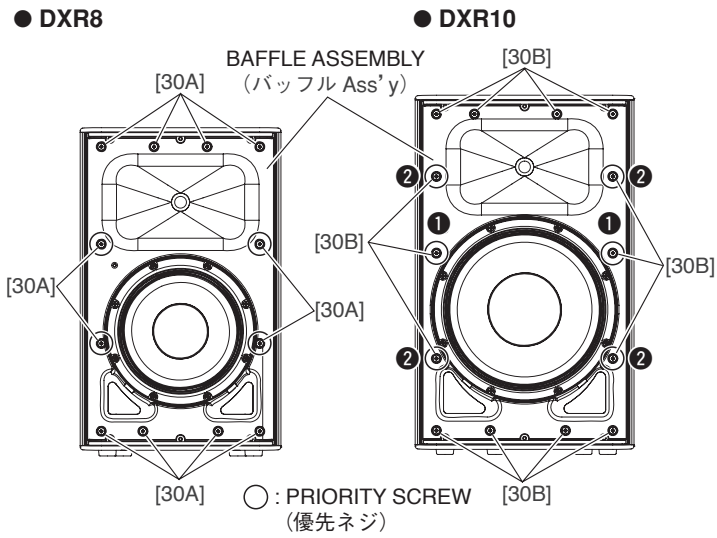


Fig. A-6 (図A-6)

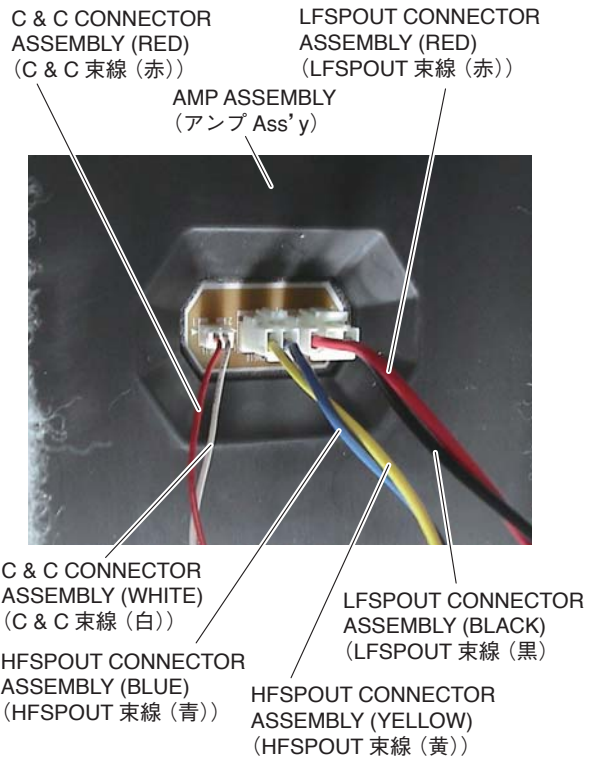


Photo A-1 (写真A-1)

A-4. Speaker (Tweeter)**(Time required: About 5 minutes)**

- A-4-1 Remove the metal grille assembly. (See procedure A-1.)
- A-4-2 Remove the baffle assembly. (See procedure A-3.)
- A-4-3 Remove the HFSPOUT connector assembly (yellow/blue) attached to the speaker (tweeter) terminal. (Fig. A-7, Fig. A-8)
- A-4-4 Remove the four (4) screws marked [90]. The TW plate can then be removed together with the speaker (tweeter). (Fig. A-7, Fig. A-8)
- * **When installing the TW plate, first tighten the two (2) priority screws as shown in Fig. A-8.**
- A-4-5 Remove the four (4) screws marked [80] and four (4) toothed lock washers marked [280]. The speaker (tweeter) can then be removed from the TW plate. (Fig. A-7)

A-5. LED Circuit Board**(Time required: About 4 minutes)**

- A-5-1 Remove the metal grille assembly. (See procedure A-1.)
- A-5-2 Remove the baffle assembly. (See procedure A-3.)
- A-5-3 Remove the two (2) screws marked [170]. The LED circuit board can then be removed. (Fig. A-8, Fig. A-9)

A-6. Amp Assembly**(Time required: About 3 minutes)**

- A-6-1 Remove the twelve (12) screws marked [50]. (Fig. A-10)
- * **When installing the amp assembly, first tighten the priority screw as shown in Fig. A-10.**
- A-6-2 Loosen the two (2) screws for removing the amp assembly. (Fig. A-11)
- * **Loosen only ! Never remove these screws. Tighten these screws when installing the amp assembly. (Fig. A-11)**
- A-6-3 Hold the two (2) screws for removing the amp assembly and then remove the amp assembly carefully. (Fig. A-11)
- A-6-4 Disconnect the connectors of the LFSPOUT connector assembly (red/black), HFSPOUT connector assembly (yellow/blue) and C&C connector assembly (red/white) from the amp assembly. (Fig. A-10, Photo A-2)
- * **Take care not to pull the amp assembly too wide or these connector assemblies may be damaged. (Fig. A-10, Photo A-2)**

For about disassembly of amp assembly, refer to 20 page.

A-4. スピーカ (ツイーター) (所要時間: 約 5 分)

- A-4-1 メタルグリル Ass'y を外します。(A-1 項参照)
- A-4-2 バッフル Ass'y を外します。(A-3 項参照)
- A-4-3 スピーカ (ツイーター) 端子に取り付けられている HFSPOUT 東線 (黄/青) を外します。(図 A-7、図 A-8)
- A-4-4 [90] のネジ 4 本を外して、スピーカ (ツイーター) と共に TW プレートを外します。(図 A-7、図 A-8)
- ※ TW プレートを取り付けるときは、図に示す優先ネジ 2 本を先に締めてください。(図 A-8)
- A-4-5 [80] のネジ 4 本と [280] の歯付座金外歯 4 個を外して、TW プレートからスピーカ (ツイーター) を外します。(図 A-7)

A-5. LED シート (所要時間: 約 4 分)

- A-5-1 メタルグリル Ass'y を外します。(A-1 項参照)
- A-5-2 バッフル Ass'y を外します。(A-3 項参照)
- A-5-3 [170] のネジ 2 本を外して、LED シートを外します。(図 A-8、図 A-9)

A-6. アンプ Ass'y (所要時間: 約 3 分)

- A-6-1 [50] のネジ 12 本を外します。(図 A-10)
- ※ アンプ Ass'y を取り付けるときは、図に示す優先ネジ 1 本を先に締めてください。(図 A-10)
- A-6-2 アンプ Ass'y 取り外し用ネジ 2 本を緩めます。(図 A-11)
- ※ これらのネジは緩めるだけで、外さないように注意してください。アンプ Ass'y 取り付け時には、これらのネジを締めてください。(図 A-11)
- A-6-3 アンプ Ass'y 取り外し用ネジ 2 箇所を持って、慎重にアンプ Ass'y を外します。(図 A-11)
- A-6-4 アンプ Ass'y から LFSPOUT 東線 (赤/黒)、HFSPOUT 東線 (黄/青)、C&C 東線 (赤/白) のコネクタを外します。(図 A-10、写真 A-2)
- ※ アンプ Ass'y を引き出しすぎて、これらの東線を傷めないように注意してください。(図 A-10、写真 A-2)

アンプ Ass'y の分解手順は、20 ページを参照してください。

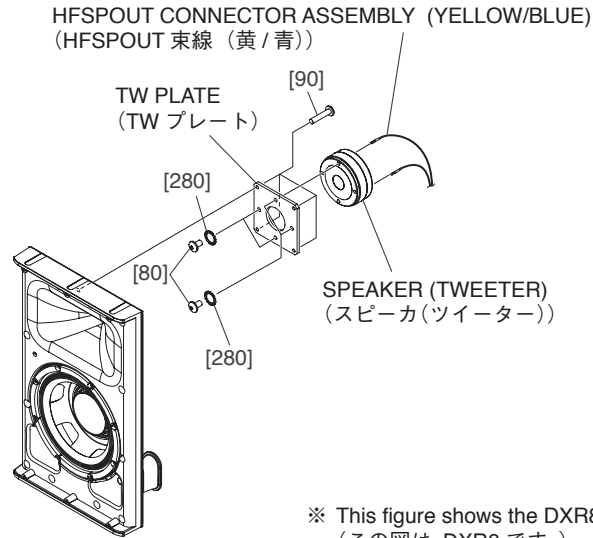


Fig. A-7 (図A-7)

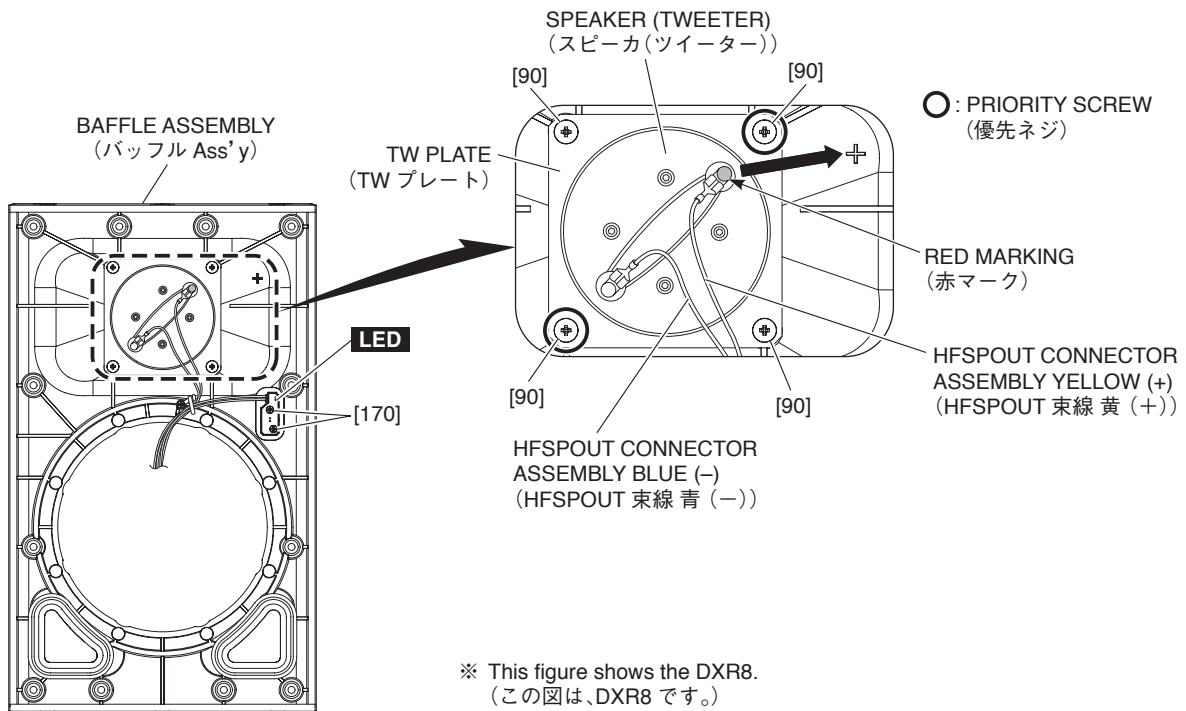
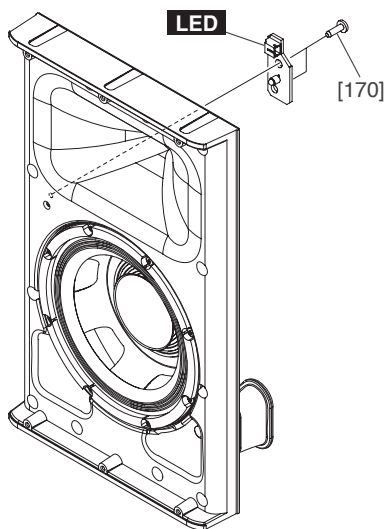
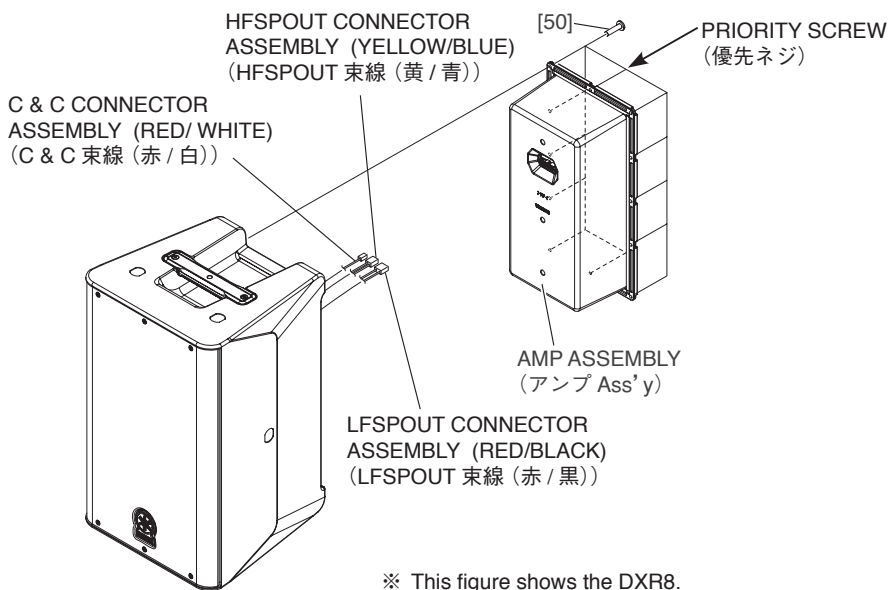


Fig. A-8 (図A-8)



※ This figure shows the DXR8.
(この図は、DXR8 です。)

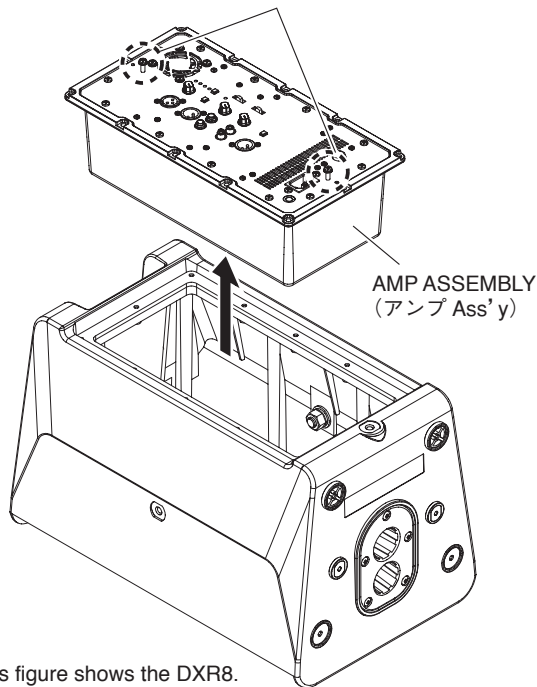
Fig. A-9 (図A-9)



※ This figure shows the DXR8.
(この図は、DXR8 です。)

Fig. A-10 (図A-10)

SCREW FOR REMOVING THE AMP ASSEMBLY
(アンプ Ass'y 取り外し用ネジ)



※ This figure shows the DXR8.
(この図は、DXR8 です。)

Fig. A-11 (図A-11)

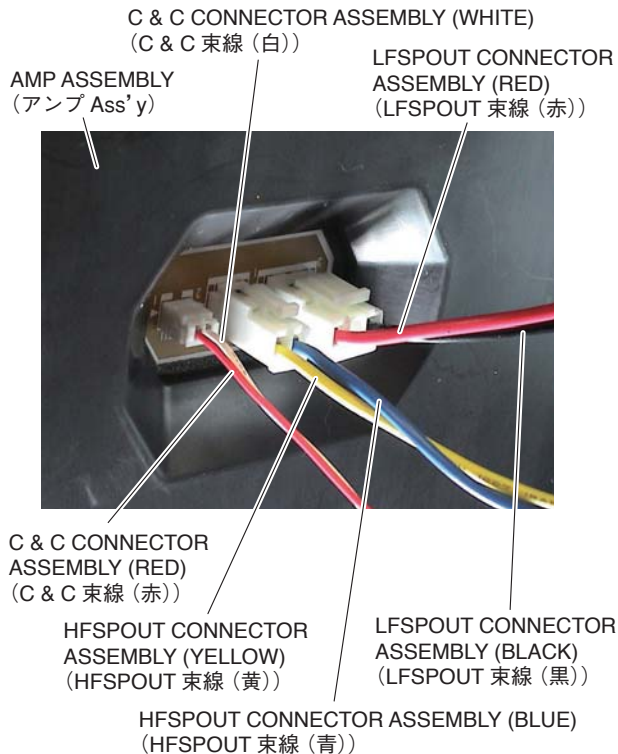


Photo A-2 (写真A-2)

B. Disassembly of DXR12/DXR15

B-1. Metal Grille Assembly

(Time required: About 1 minute)

B-1-1 Remove the eight (8) screws marked [150]. The metal grille assembly can then be removed. (Fig. B-1)

- * **When installing the metal grille assembly, first tighten the four (4) priority screws as shown in Fig. B-1.**

B-2. Speaker (Woofer)

(Time required: About 3 minutes)

B-2-1 Remove the metal grille assembly. (See procedure B-1.)

B-2-2 Remove the eight (8) screws marked [50]. The speaker (woofer) can then be removed. (Fig. B-2, Fig. B-3)

- * **When installing the speaker (woofer), first tighten the four (4) priority screws in order as shown in Fig. B-3.**

B-2-3 Remove the LFSPOUT connector assembly (red/black) attached to the speaker (woofer) terminal. (Fig. B-2, Fig. B-4)

- * **The speaker (woofer) is heavy. Be careful not to drop it.**

B. DXR12/DXR15 の分解

B-1. メタルグリル Ass'y (所要時間：約1分)

B-1-1 [150] のネジ 8 本を外して、メタルグリル Ass'y を外します。(図 B-1)

- ※ メタルグリル Ass'y を取り付けるときは、図に示す優先ネジ 4 本を先に締めてください。(図 B-1)

B-2. スピーカ (ウーファー) (所要時間：約3分)

B-2-1 メタルグリル Ass'y を外します。(B-1 項参照)

B-2-2 [50] のネジ 8 本を外して、スピーカ (ウーファー) を外します。(図 B-2、図 B-3)

- ※ スピーカ (ウーファー) を取り付けるときは、優先ネジ 4 本を図に示す順番で先に締めてください。(図 B-3)

B-2-3 スピーカ (ウーファー) 端子に取り付けられている LFSPOUT 束線 (赤/黒) を外します。(図 B-2、図 B-4)

- ※ スピーカ (ウーファー) は重量がありますので、落下させない様に注意してください。

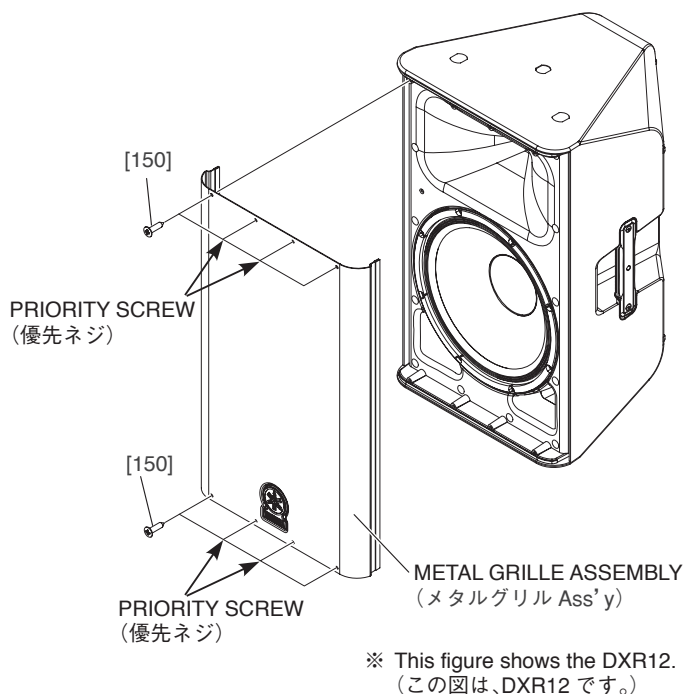


Fig. B-1 (図B-1)

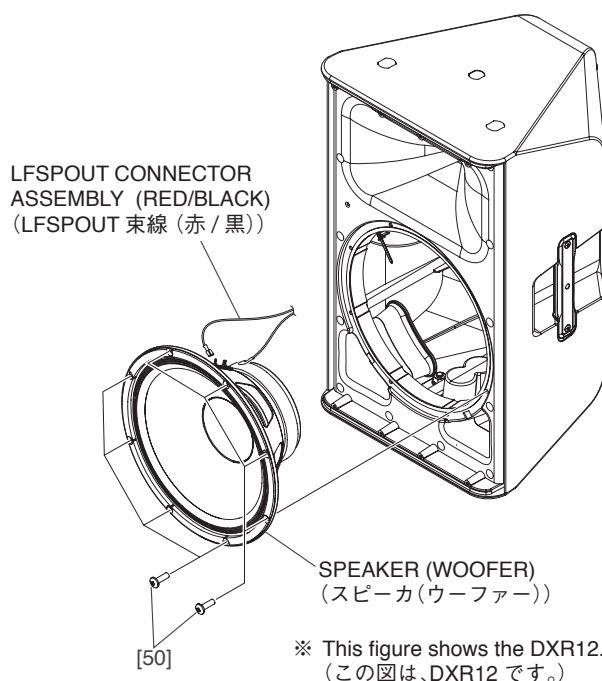


Fig. B-2 (図B-2)

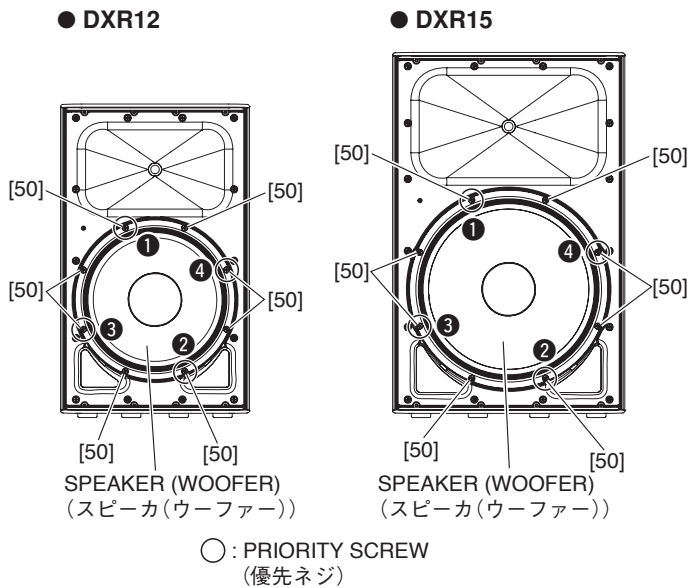


Fig. B-3 (図B-3)

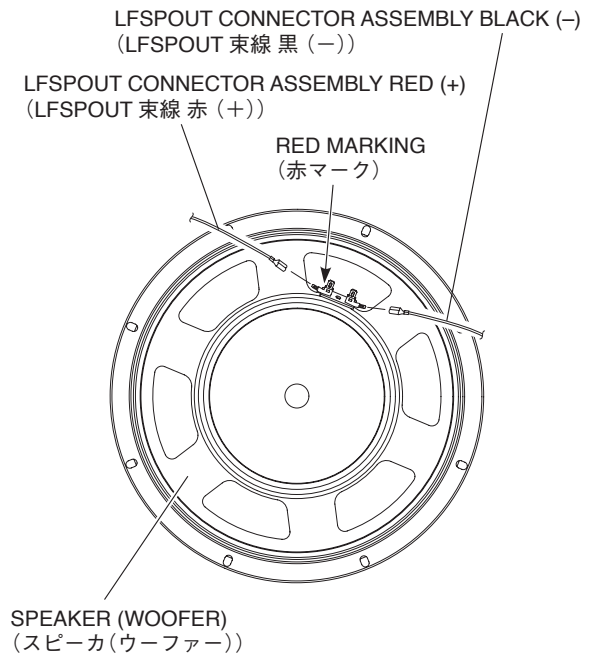


Fig. B-4 (図B-4)

B-3. Baffle Assembly (Time required: About 4 minutes)

B-3-1 Remove the metal grille assembly. (See procedure B-1.)

B-3-2 DXR12:

Remove the fourteen (14) screws marked [30A]. The baffle assembly can then be removed. (Fig. B-5, Fig. B-6)

DXR15:

Remove the sixteen (16) screws marked [30B]. The baffle assembly can then be removed. (Fig. B-5, Fig. B-6)

* **DXR12:**

When installing the baffle assembly, first tighten the six (6) priority screws in order as shown in Fig. B-6.

DXR15:

When installing the baffle assembly, first tighten the four (4) priority screws as shown in Fig. B-6.

B-3-3 Disconnect the connectors of the LFSPOUT connector assembly (red/black), HFSPOUT connector assembly (yellow/blue) and C&C connector assembly (red/white) from the amp assembly. (Fig. B-5, Photo B-1)

* **Take care not to open the baffle assembly too wide or these connector assemblies may be damaged. (Fig. B-5, Photo B-1)**

B-3. バッフル Ass'y (所要時間: 約4分)

B-3-1 メタルグリル Ass'y を外します。(B-1 項参照)

B-3-2 DXR12:

[30A] のネジ 14 本を外して、バッフル Ass'y を外します。(図 B-5、図 B-6)

DXR15:

[30B] のネジ 16 本を外して、バッフル Ass'y を外します。(図 B-5、図 B-6)

※ **DXR12:**

バッフル Ass'y を取り付けるときは、優先ネジ 6 本を図に示す順番で先に締めてください。(図 B-6)

DXR15:

バッフル Ass'y を取り付けるときは、図に示す優先ネジ 4 本を先に締めてください。(図 B-6)

B-3-3 アンプ Ass'y から LFSPOUT 束線 (赤 / 黒)、HFSPOUT 束線 (黄 / 青)、C&C 束線 (赤 / 白) のコネクタを外します。(図 B-5、写真 B-1)

※ バッフル Ass'y を開きすぎて、これらの束線を傷めないように注意してください。(図 B-5、写真 B-1)

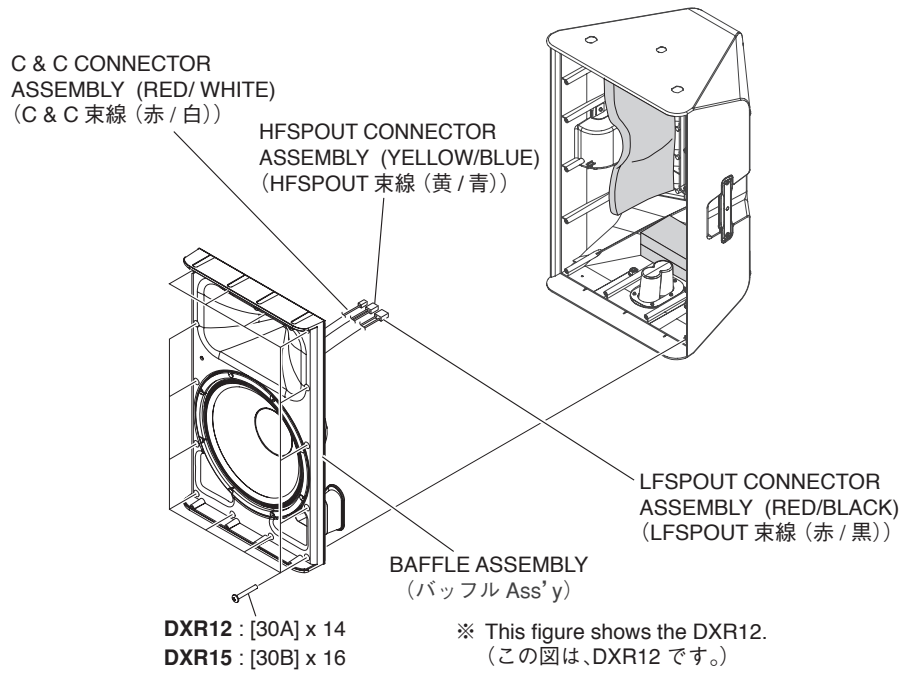


Fig. B-5 (図B-5)

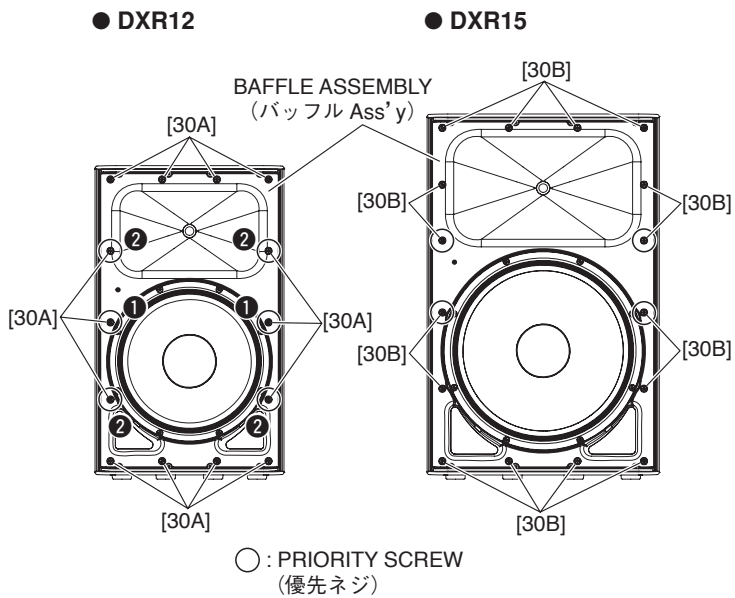


Fig. B-6 (図B-6)

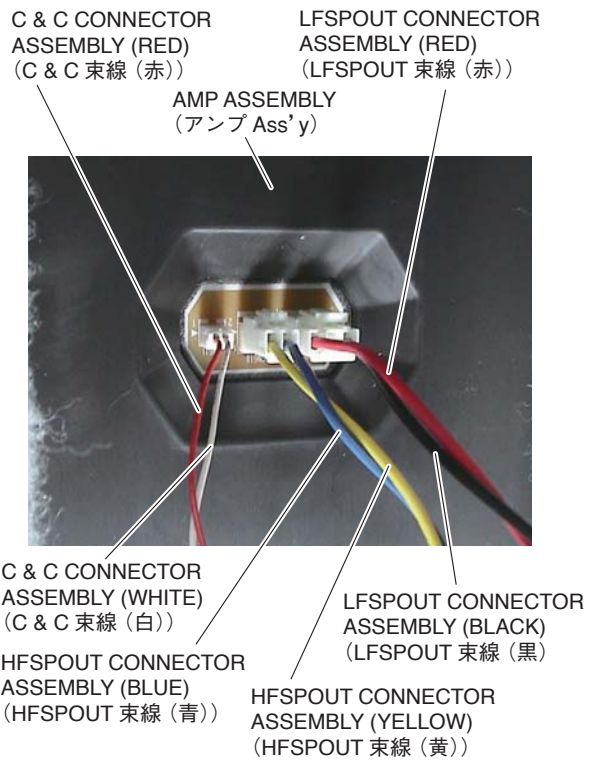


Photo B-1 (写真B-1)

B-4. Speaker (Tweeter)**(Time required: About 5 minutes)**

- B-4-1 Remove the metal grille assembly. (See procedure B-1.)
- B-4-2 Remove the baffle assembly. (See procedure B-3.)
- B-4-3 Remove the HFSPOUT connector assembly (yellow/blue) attached to the speaker (tweeter) terminal. (Fig. B-7, Fig. B-8)
- B-4-4 Remove the four (4) screws marked [90]. The TW plate can then be removed together with the speaker (tweeter). (Fig. B-7, Fig. B-8)
- * **When installing the TW plate, first tighten the two (2) priority screws as shown in Fig. B-8.**
- B-4-5 Remove the four (4) screws marked [80] and four (4) toothed lock washers marked [280]. The speaker (tweeter) can then be removed from the TW plate. (Fig. B-7)

B-5. LED Circuit Board**(Time required: About 4 minutes)**

- B-5-1 Remove the metal grille assembly. (See procedure B-1.)
- B-5-2 Remove the baffle assembly. (See procedure B-3.)
- B-5-3 Remove the two (2) screws marked [170]. The LED circuit board can then be removed. (Fig. B-8, Fig. B-9)

B-6. Amp Assembly**(Time required: About 6 minutes)**

- B-6-1 Remove the metal grille assembly. (See procedure B-1.)
- B-6-2 Remove the speaker (woofer). (See procedure B-2.)
- B-6-3 Disconnect the connectors of the LFSPOUT connector assembly (red/black), HFSPOUT connector assembly (yellow/blue) and C&C connector assembly (red/white) from the amp assembly. (Fig. B-10, Photo B-2)
- B-6-4 Remove the twelve (12) screws marked [130]. (Fig. B-10)
- * **When installing the amp assembly, first tighten the priority screw as shown in Fig. B-10.**
- B-6-5 Loosen the two (2) screws for removing the amp assembly. (Fig. B-11)
- * **Loosen only ! Never remove these screws. Tighten these screws when installing the amp assembly. (Fig. B-11)**
- B-6-6 Hold the two (2) screws for removing the amp assembly and then remove the amp assembly carefully. (Fig. B-11)

For about disassembly of amp assembly, refer to 20 page.

B-4. スピーカ (ツイーター) (所要時間: 約 5 分)

- B-4-1 メタルグリル Ass'y を外します。(B-1 項参照)
- B-4-2 バッフル Ass'y を外します。(B-3 項参照)
- B-4-3 スピーカ (ツイーター) 端子に取り付けられている HFSPOUT 束線 (黄/青) を外します。(図 B-7、図 B-8)
- B-4-4 [90] のネジ 4 本を外して、スピーカ (ツイーター) と共に TW プレートを外します。(図 B-7、図 B-8)
- ※ TW プレートを取り付けるときは、図に示す優先ネジ 2 本を先に締めてください。(図 B-8)
- B-4-5 [80] のネジ 4 本と [280] の歯付座金外歯 4 個を外して、TW プレートからスピーカ (ツイーター) を外します。(図 B-7)

B-5. LED シート (所要時間: 約 4 分)

- B-5-1 メタルグリル Ass'y を外します。(B-1 項参照)
- B-5-2 バッフル Ass'y を外します。(B-3 項参照)
- B-5-3 [170] のネジ 2 本を外して、LED シートを外します。(図 B-8、図 B-9)

B-6. アンプ Ass'y (所要時間: 約 6 分)

- B-6-1 メタルグリル Ass'y を外します。(B-1 項参照)
- B-6-2 スピーカ (ウーファー) を外します。(B-2 項参照)
- B-6-3 アンプ Ass'y から LFSPOUT 束線 (赤/黒)、HFSPOUT 束線 (黄/青)、C&C 束線 (赤/白) のコネクタを外します。(図 B-10、写真 B-2)
- B-6-4 [130] のネジ 12 本を外します。(図 B-10)
- ※ アンプ Ass'y を取り付けるときは、図に示す優先ネジ 1 本を先に締めてください。(図 B-10)
- B-6-5 アンプ Ass'y 取り外し用ネジ 2 本を緩めます。(図 B-11)
- ※ これらのネジは緩めるだけで、外さないように注意してください。アンプ Ass'y 取り付け時には、これらのネジを締めてください。(図 B-11)
- B-6-6 アンプ Ass'y 取り外し用ネジ 2 箇所を持って、慎重にアンプ Ass'y を外します。(図 B-11)

アンプ Ass'y の分解手順は、20 ページを参照してください。

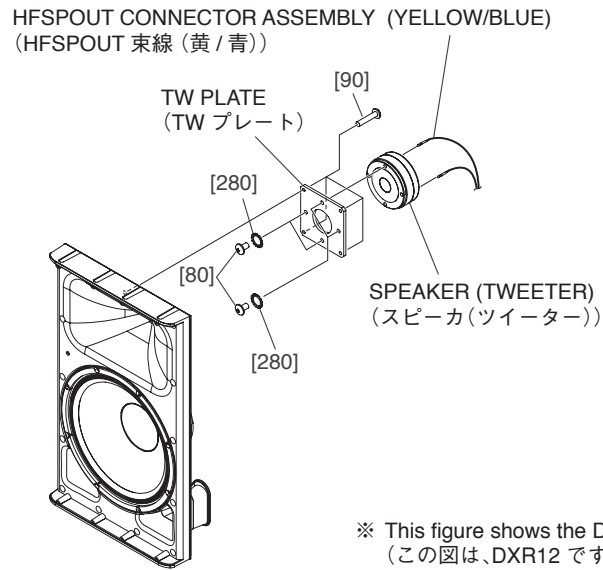


Fig. B-7 (図B-7)

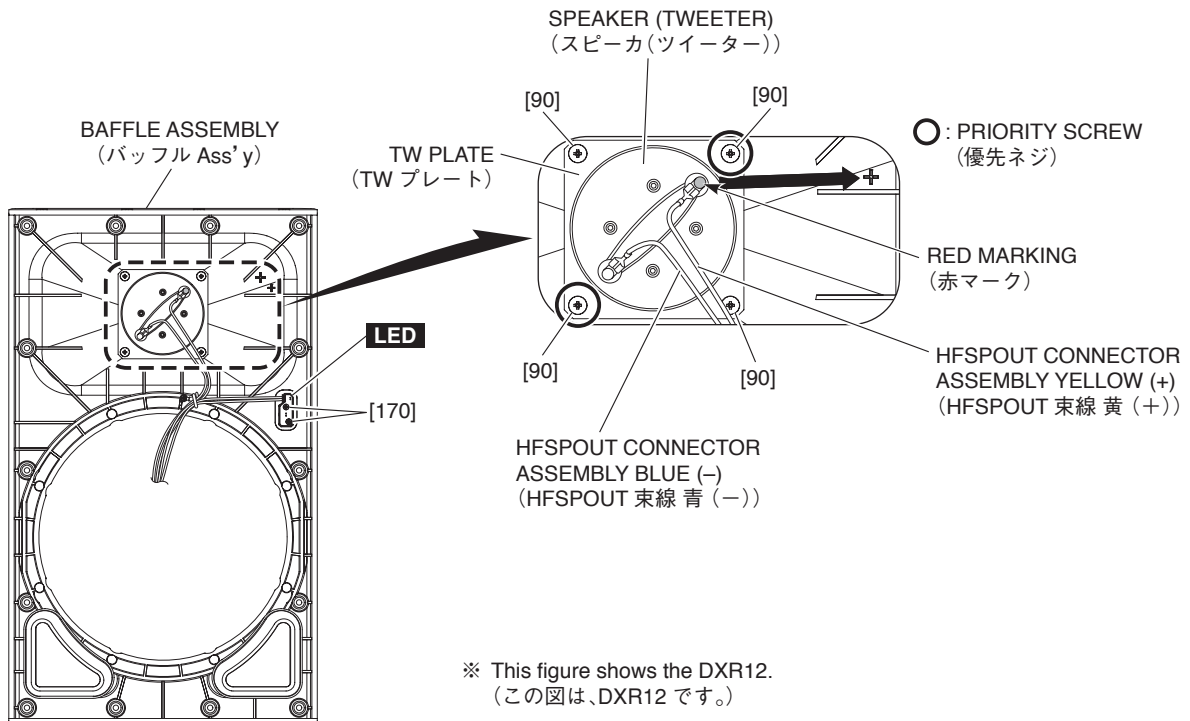
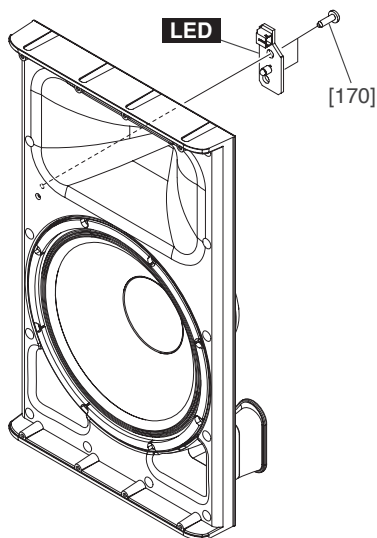
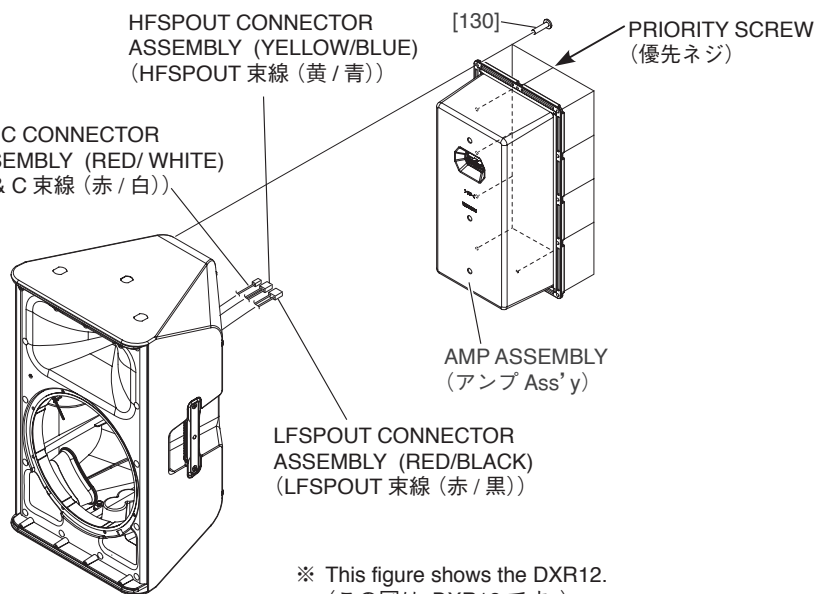


Fig. B-8 (図B-8)



※ This figure shows the DXR12.
(この図は、DXR12 です。)

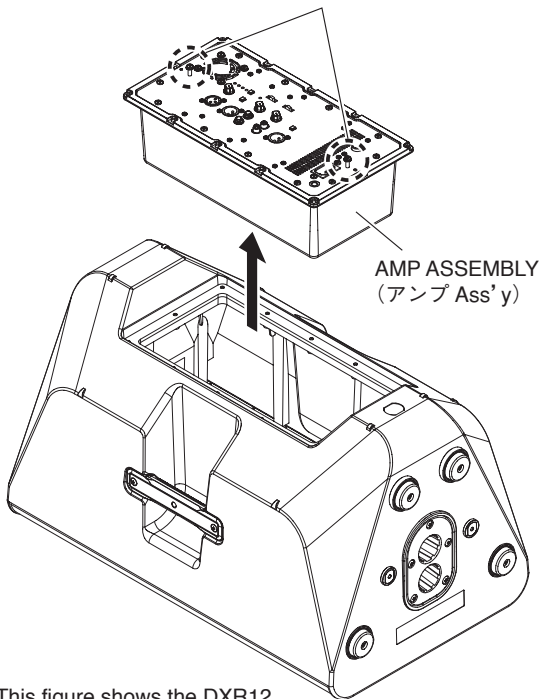
Fig. B-9 (図B-9)



※ This figure shows the DXR12.
(この図は、DXR12 です。)

Fig. B-10 (図B-10)

SCREW FOR REMOVING THE AMP ASSEMBLY
(アンプ Ass'y 取り外し用ネジ)



※ This figure shows the DXR12.
(この図は、DXR12 です。)

Fig. B-11 (図B-11)

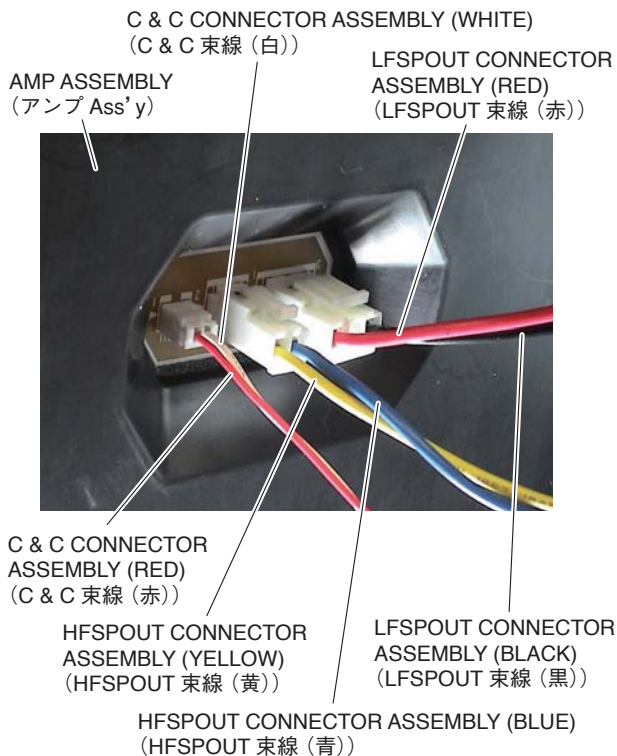


Photo B-2 (写真B-2)

C. Disassembly of Amp Assembly

- * *Before disassembly, remove the amp assembly in advance. (See procedure A-6, B-6.)*

C-1. Amp Cover Assembly (Time required: About 2 minutes)

- C-1-1 Remove the twelve (12) screws marked [540]. The amp cover assembly can then be removed. (Fig. C-1)

C-2. SUB3 Circuit Board (Time required: About 3 minutes)

- C-2-1 Remove the amp cover assembly. (See procedure C-1.)
C-2-2 Remove the four (4) screws marked [500]. The SUB3 circuit board can then be removed. (Fig. C-2)

- * *The cushion OUT is not part of the SUB3 circuit board. When replacing the SUB3 circuit board, remove the cushion OUT from the SUB3 circuit board and install it to the new circuit board. (Fig. C-2)*

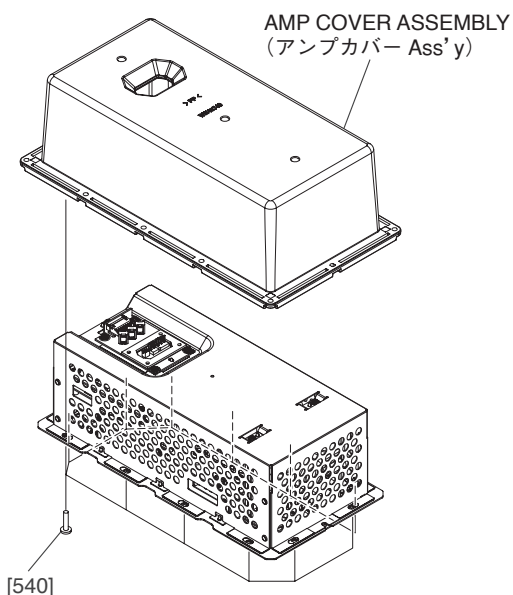


Fig. C-1 (図C-1)

C-3. Shield Assembly (Time required: About 4 minutes)

- C-3-1 Remove the amp cover assembly. (See procedure C-1.)
C-3-2 Remove the SUB3 circuit board. (See procedure C-2.)
C-3-3 Remove the three (3) screws marked [510] and two (2) screws marked [520]. The shield assembly can then be removed. (Fig. C-3)

C. アンプ Ass'y の分解

- ※ 分解の前に、あらかじめアンプ Ass'y を外しておきます。(A-6 項、B-6 項参照)

C-1. アンプカバー Ass'y (所要時間：約 2 分)

- C-1-1 [540] のネジ 12 本を外して、アンプカバー Ass'y を外します。(図 C-1)

C-2. SUB3 シート (所要時間：約 3 分)

- C-2-1 アンプカバー Ass'y を外します。(C-1 項参照)
C-2-2 [500] のネジ 4 本を外して、SUB3 シートを外します。(図 C-2)
※ クッション OUT は、SUB3 シートの構成部品ではありません。SUB3 シートを交換する際には、SUB3 シートからクッション OUT を取り外して、新しいシートに取り付けてください。(図 C-2)

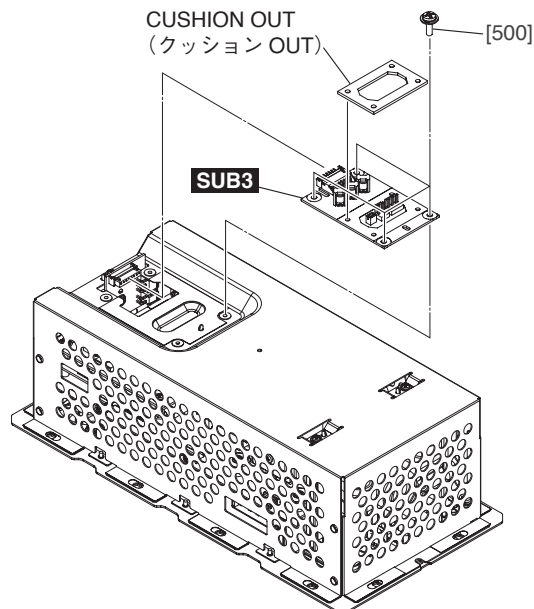


Fig. C-2 (図C-2)

C-3. シールド Ass'y (所要時間：約 4 分)

- C-3-1 アンプカバー Ass'y を外します。(C-1 項参照)
C-3-2 SUB3 シートを外します。(C-2 項参照)
C-3-3 [510] のネジ 3 本と [520] のネジ 2 本を外して、シールド Ass'y を外します。(図 C-3)

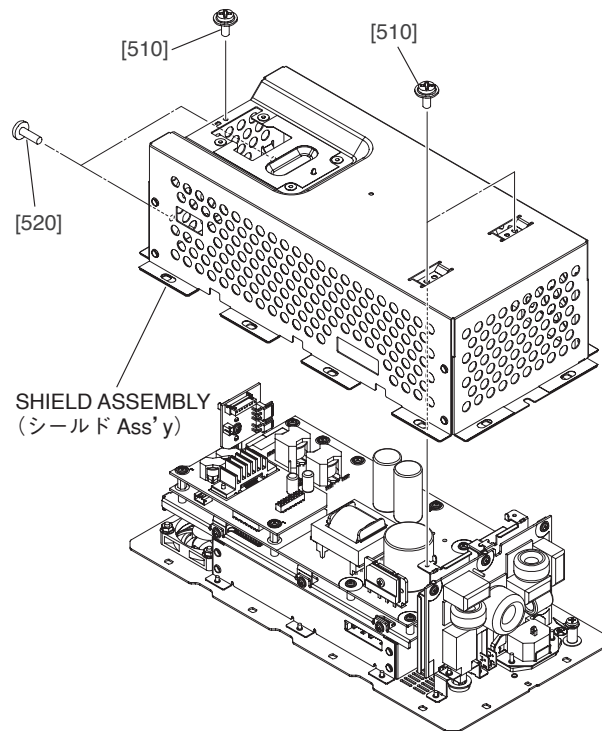


Fig. C-3(図C-3)

C-4. TWAMP Assembly (Time required: About 5 minutes)

- C-4-1 Remove the amp cover assembly. (See procedure C-1.)
- C-4-2 Remove the SUB3 circuit board. (See procedure C-2.)
- C-4-3 Remove the shield assembly. (See procedure C-3.)
- C-4-4 Remove the four (4) screws marked [320]. The TWAMP assembly can then be removed. (Fig. C-4)

* **When installing the TWAMP assembly, first tighten the two (2) priority screws in order as shown in Fig. C-4.**

C-4. TWAMP Ass'y (所要時間：約 5 分)

- C-4-1 アンプカバー Ass'y を外します。(C-1 項参照)
- C-4-2 SUB3 シートを外します。(C-2 項参照)
- C-4-3 シールド Ass'y を外します。(C-3 項参照)
- C-4-4 [320] のネジ 4 本を外して、TWAMP Ass'y を外します。(図 C-4)

※ TWAMP Ass'y を取り付けるときは、優先ネジ 2 本を図に示す順番で先に締めてください。(図 C-4)

C-5. AMPS Circuit Board (Time required: About 7 minutes)

- C-5-1 Remove the amp cover assembly. (See procedure C-1.)
- C-5-2 Remove the SUB3 circuit board. (See procedure C-2.)
- C-5-3 Remove the shield assembly. (See procedure C-3.)
- C-5-4 Remove the TWAMP assembly. (See procedure C-4.)
- C-5-5 Remove the ten (10) screws marked [220] and four (4) hexagonal spacers marked [310]. The AMPS circuit board can then be removed. (Fig. C-4)

* **When installing the AMPS circuit board, first tighten the two (2) priority screws in order as shown in Fig. C-4.**

C-5. AMPS シート (所要時間：約 7 分)

- C-5-1 アンプカバー Ass'y を外します。(C-1 項参照)
- C-5-2 SUB3 シートを外します。(C-2 項参照)
- C-5-3 シールド Ass'y を外します。(C-3 項参照)
- C-5-4 TWAMP Ass'y を外します。(C-4 項参照)
- C-5-5 [220] のネジ 10 本と [310] の六角スペーサ 4 個を外して、AMPS シートを外します。(図 C-4)

※ AMPS シートを取り付けるときは、優先ネジ 2 本を図に示す順番で先に締めてください。(図 C-4)

C-6. SUB4 Circuit Board (Time required: About 4 minutes)

- C-6-1 Remove the amp cover assembly. (See procedure C-1.)
 C-6-2 Remove the SUB3 circuit board. (See procedure C-2.)
 C-6-3 Remove the shield assembly. (See procedure C-3.)
 C-6-4 Remove the screw marked [370]. The SUB4 circuit board can then be removed. (Fig. C-4)

C-6. SUB4 シート (所要時間: 約 4 分)

- C-6-1 アンプカバー Ass'y を外します。(C-1 項参照)
 C-6-2 SUB3 シートを外します。(C-2 項参照)
 C-6-3 シールド Ass'y を外します。(C-3 項参照)
 C-6-4 [370] のネジ 1 本を外して、SUB4 シートを外します。(図 C-4)

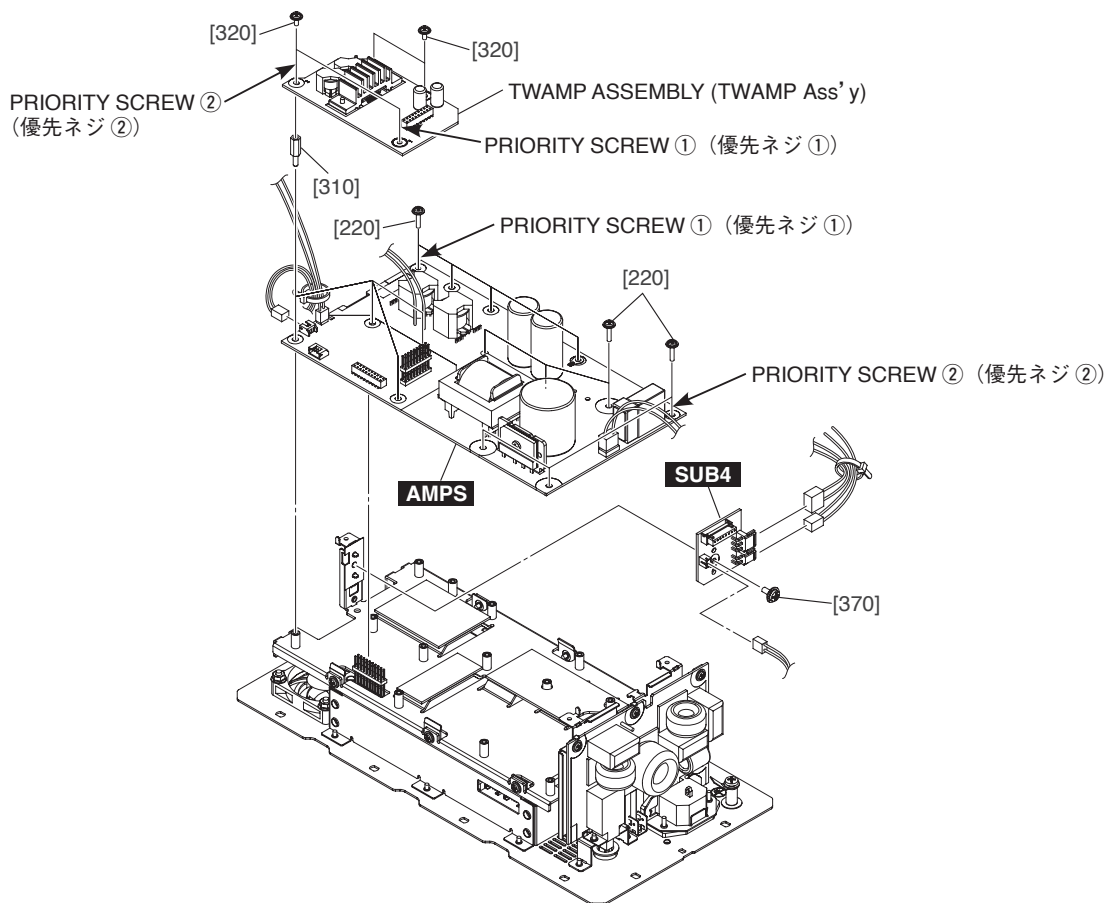


Fig. C-4 (図C-4)

C-7. SUB1 Circuit Board (Time required: About 6 minutes)

- C-7-1 Remove the amp cover assembly. (See procedure C-1.)
 C-7-2 Remove the SUB3 circuit board. (See procedure C-2.)
 C-7-3 Remove the shield assembly. (See procedure C-3.)
 C-7-4 Remove the two (2) screws marked [70], three (3) screws marked [80] and the screw marked [90]. The shield ACIN can then be removed together with the SUB1 circuit board. (Fig. C-5)

- * **When installing the shield ACIN, first tighten the two (2) priority screws in order as shown in Fig. C-5.**
- * **When installing the screw marked [90], tighten so that the terminal lug points within the 90-degree range as shown in Fig. C-5.**

C-7. SUB1 シート (所要時間: 約 6 分)

- C-7-1 アンプカバー Ass'y を外します。(C-1 項参照)
 C-7-2 SUB3 シートを外します。(C-2 項参照)
 C-7-3 シールド Ass'y を外します。(C-3 項参照)
 C-7-4 [70] のネジ 2 本と [80] のネジ 3 本、[90] のネジ 1 本を外して、SUB1 シートと共にシールド ACIN を外します。(図 C-5)
- ※ シールド ACIN を取り付けるときは、優先ネジ 2 本を図に示す順番で先に締めてください。(図 C-5)
 - ※ [90] のネジを取り付けるときは、ターミナルラグの向きが図の通り 90 度の範囲となるように締めてください。(図 C-5)

C-7-5 Remove the four (4) screws marked [50] and two (2) screws marked [60]. The SUB1 circuit board can then be removed from the shield ACIN. (Fig. C-5)

* **When installing the SUB1 circuit board, first tighten the two (2) priority screws as shown in Fig. C-5.**

C-7-6 Remove the power knob from the SUB1 circuit board. (Fig. C-5)

C-7-7 Straighten the two claws of the inlet angle and remove the inlet angle from the SUB1 circuit board. (Fig. C-5, Photo C-1)

* **The power knob and the inlet angle are not parts of the SUB1 circuit board. When replacing the SUB1 circuit board, remove the power knob and the inlet angle from the SUB1 circuit board and install them to the new circuit board. (Fig. C-5)**

C-7-5 [50] のネジ 4 本と [60] のネジ 2 本を外して、シールド ACIN から SUB1 シートを外します。
(図 C-5)

※ SUB1 シートを取り付けるときは、図に示す優先ネジ 2 本を先に締めてください。(図 C-5)

C-7-6 SUB1 シートからパワーノブを外します。(図 C-5)

C-7-7 インレット金具のツメ 2 箇所をまっすぐに伸ばして、SUB1 シートからインレット金具を外します。
(図 C-5、写真 C-1)

※ パワーノブとインレット金具は、SUB1 シートの構成部品ではありません。SUB1 シートを交換する際には、SUB1 シートからパワーノブとインレット金具を取り外して、新しいシートに取り付けてください。(図 C-5)

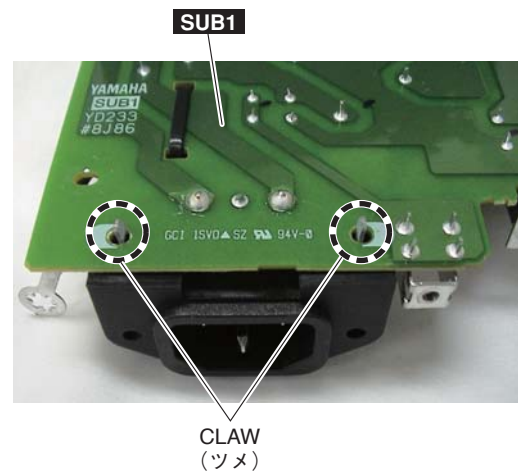


Photo C-1 (写真 C-1)

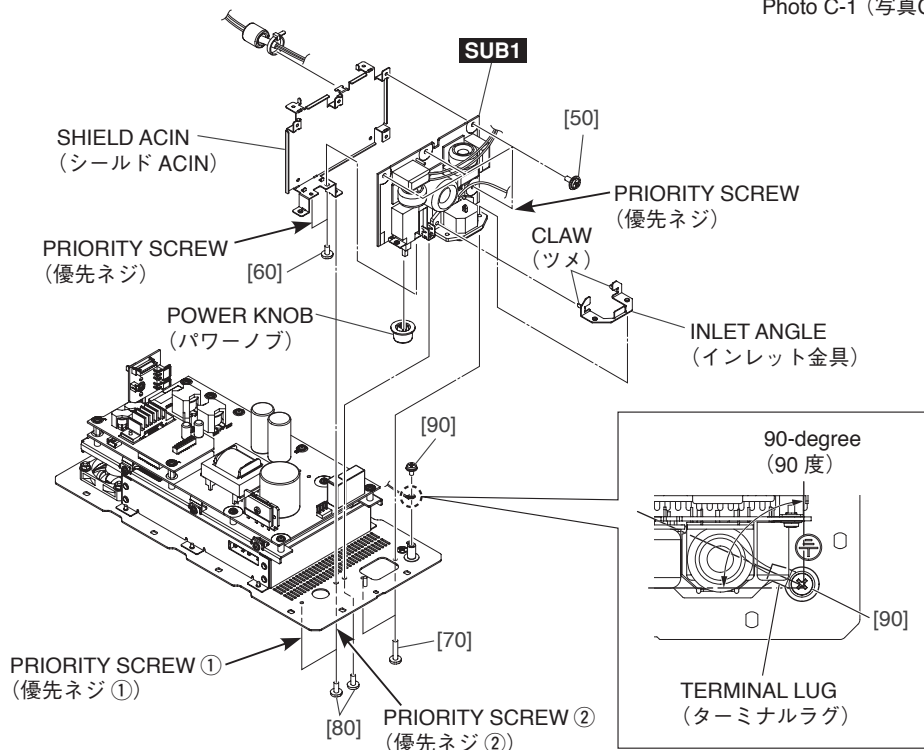


Fig. C-5 (図 C-5)

C-8. DSP Circuit Board, SUB2 Circuit Board (Time required: About 9 minutes)

- C-8-1 Remove the amp cover assembly. (See procedure C-1.)
- C-8-2 Remove the SUB3 circuit board. (See procedure C-2.)
- C-8-3 Remove the shield assembly. (See procedure C-3.)
- C-8-4 Remove the six (6) screws marked [150] from the rear panel side. The shield DSP assembly can then be removed together with the AMPS circuit board, TWAMP assembly and SUB4 circuit board. (Fig. C-6)
- * **When installing the shield DSP assembly, first tighten the two (2) priority screws in order as shown in Fig. C-6.**
- C-8-5 Remove the three (3) volume knobs (black), seven (7) screws marked [160], two (2) hexagonal nuts marked [A] and two (2) flat washers marked [B] from the rear panel side. (Fig. C-7)
- C-8-6 Remove the six (6) screws marked [130]. The DSP circuit board can then be removed together with the SUB2 circuit board. (Fig. C-6)
- C-8-7 Remove the SUB2 circuit board from the six (6) locking card spacers of the DSP circuit board. (Fig. C-6)
- * **The push button HPF, the button joint HPF and the six (6) locking card spacers are not parts of the DSP circuit board. When replacing the DSP circuit board, remove the push button HPF, the button joint HPF and the six (6) locking card spacers from the DSP circuit board and install them to the new circuit board. (Fig. C-6, Fig. C-7)**
- * **The push button HPF and the six (6) ring cushions are not parts of the SUB2 circuit board. When replacing the SUB2 circuit board, remove the push button HPF and the six (6) ring cushions from the SUB2 circuit board and install them to the new circuit board. (Fig. C-6, Fig. C-7)**

C-9. DC Fan (Time required: About 5 minutes)

- C-9-1 Remove the amp cover assembly. (See procedure C-1.)
- C-9-2 Remove the SUB3 circuit board. (See procedure C-2.)
- C-9-3 Remove the shield assembly. (See procedure C-3.)
- C-9-4 Remove the four (4) screws marked [410] and four (4) hexagonal flange nuts marked [420]. The DC fan can then be removed. (Fig. C-6)

C-8. DSP シート、SUB2 シート (所要時間:約9分)

- C-8-1 アンプカバー Ass'y を外します。(C-1 項参照)
- C-8-2 SUB3 シートを外します。(C-2 項参照)
- C-8-3 シールド Ass'y を外します。(C-3 項参照)
- C-8-4 リアパネル面から [150] のネジ 6 本を外して、AMPS シート、TWAMP Ass'y、SUB4 シートと共にシールド DSP Ass'y を外します。(図 C-6)
- ※ シールド DSP Ass'y を取り付けるときは、優先ネジ 2 本を図に示す順番で先に締めてください。(図 C-6)
- C-8-5 リアパネル面からノブ VR (黒) 3 個と [160] のネジ 7 本、[A] の六角ナット 2 個、[B] のワッシャー 2 個を外します。(図 C-7)
- C-8-6 [130] のネジ 6 本を外して、SUB2 シートと共に DSP シートを外します。(図 C-6)
- C-8-7 DSP シートのロッキングカードスペーサ 6 箇所から SUB2 シートを外します。(図 C-6)
- ※ ボタン HPF 1 個とボタン継ぎ手 HPF 1 個、ロッキングカードスペーサ 6 個は、DSP シートの構成部品ではありません。DSP シートを交換する際には、DSP シートからボタン HPF 1 個とボタン継ぎ手 HPF 1 個、ロッキングカードスペーサ 6 個を取り外して、新しいシートに取り付けてください。(図 C-6、図 C-7)
- ※ ボタン HPF 1 個とリングクッション 6 個は、SUB2 シートの構成部品ではありません。SUB2 シートを交換する際には、SUB2 シートからボタン HPF 1 個とリングクッション 6 個を取り外して、新しいシートに取り付けてください。(図 C-6、図 C-7)

C-9. DC ファン (所要時間:約5分)

- C-9-1 アンプカバー Ass'y を外します。(C-1 項参照)
- C-9-2 SUB3 シートを外します。(C-2 項参照)
- C-9-3 シールド Ass'y を外します。(C-3 項参照)
- C-9-4 [410] のネジ 4 本と [420] の六角フランジナット 4 個を外して、DC ファンを外します。(図 C-6)

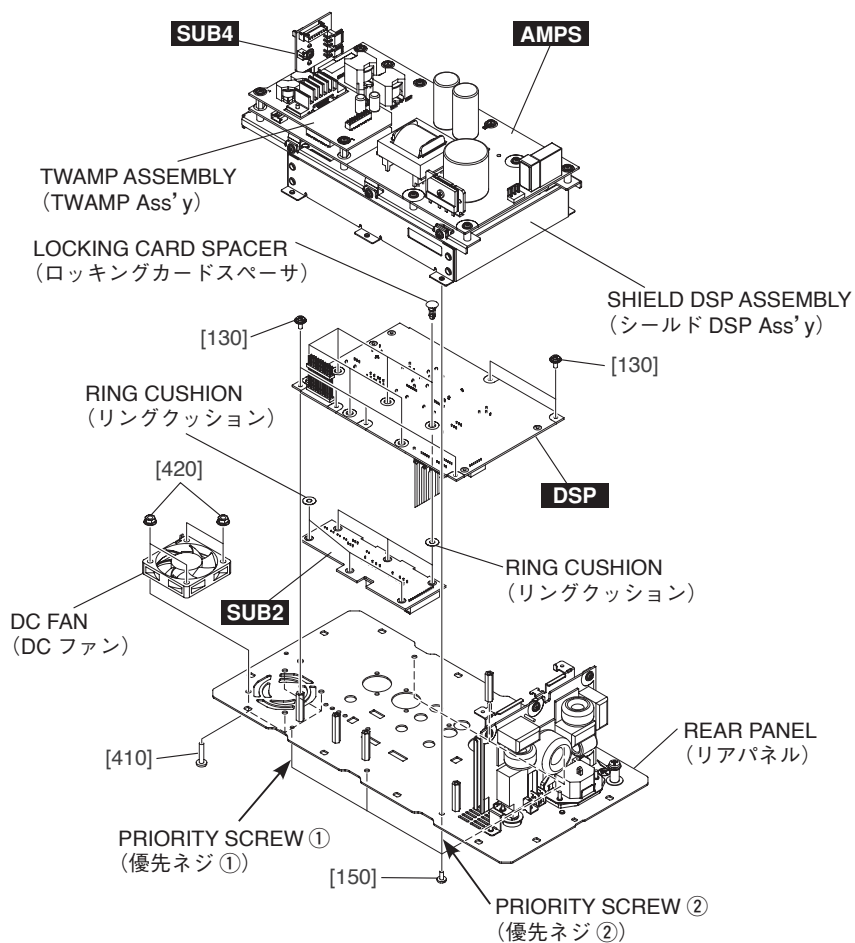


Fig. C-6 (図C-6)

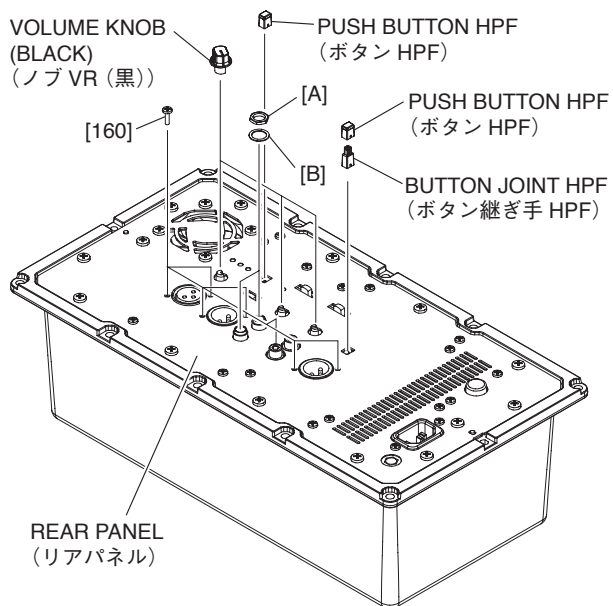


Fig. C-7 (図C-7)

LSI PIN DESCRIPTION (LSI 端子機能表)

PCM1804DBR (X6872A00) ADC (Analog to Digital Converter)	26
R5F212BCSNFP (YE165C00) MCU (Micro Controller Unit).....	26
TAS3204PAGR (YA768A00) DSP (Digital Signal Processor)	27

● PCM1804DBR (X6872A00) ADC (Analog to Digital Converter)

DSP: IC703

PIN NO.	NAME	I/O	FUNCTION	PIN NO.	NAME	I/O	FUNCTION
1	VREFL	-	L-channel voltage reference output, requires capacitors for decoupling to AGND	16	BCK/DSDL	I/O	Bit clock input/output in PCM mode / L-channel audio data output in DSD mode
2	AGNDL	-	Analog ground for VREFL	17	LRCK/DSDBCK	I/O	Sampling clock input/output in PCM and DSD modes
3	VCOML	-	L-channel analog common-mode voltage (2.5 V)	18	SCKI	I	System clock input
4	VINL+	I	L-channel analog input, positive pin	19	RST	I	Reset, power-down input, active-low
5	VINL-	I	L-channel analog input, negative pin	20	OVFR	O	Overflow signal of R-channel in PCM mode
6	FMT0	I	Audio data format 0	21	OVFL	O	Overflow signal of L-channel in PCM mode
7	FMT1	I	Audio data format 1	22	VCC	-	Analog power supply +5 V
8	S/M	I	Slave/master mode selection	23	AGND	-	Analog ground
9	OSR0	I	Oversampling ratio 0	24	VINR-	I	R-channel analog input, negative pin
10	OSR1	I	Oversampling ratio 1	25	VINR+	I	R-channel analog input, positive pin
11	OSR2	I	Oversampling ratio 2	26	VCOMR	-	R-channel analog common-mode voltage (2.5 V)
12	BYPAS	I	HPF bypass control	27	AGNDR	-	Analog ground for VREFR
13	DGND	-	Digital ground	28	VREFR	-	R-channel voltage reference output, requires capacitors for decoupling to AGND
14	VDD	-	Digital power supply +3.3 V				
15	DATA/DSDR	O	L-channel and R-channel audio data output in PCM mode / R-channel audio data output in DSD mode				

● R5F212BCSNFP (YE165C00) MCU (Micro Controller Unit)

DSP: IC701

PIN NO.	NAME	I/O	FUNCTION	PIN NO.	NAME	I/O	FUNCTION
1	P3_3/SSI	I/O	I/O port / Data I/O	33	P8_1/TRFO01	I/O	I/O port / Timer RF output
2	P3_4/SDA/SCS	I/O	I/O port / Data I/O / Chip-select signal I/O	34	P8_0/TRFO00	I/O	
3	MODE	I	Connect this pin to VCC via a resistor.	35	P6_0/TREO	I/O	I/O port / Divided clock output
4	P4_3/XCIN	I/O	I/O port / XCIN clock input	36	P4_5/INT0	I/O	I/O port / INT interrupt input
5	P4_4/XCOUT	I/O	I/O port / XCIN clock output	37	P6_6/INT2/TXD1	I/O	I/O port / INT interrupt input / Serial data output
6	RESET	I	Input "L" on this pin resets the MCU.	38	P6_7/INT3/RXD1	I/O	I/O port / INT interrupt input / Serial data input
7	P4_7/XOUT	I/O	Input port / XIN clock output	39	P6_5/(CLK1)/CLK2	I/O	I/O port / (Transfer clock I/O) / Transfer clock I/O
8	VSS/AVSS	-	Ground	40	P6_4/RXD2	I/O	I/O port / Serial data input
9	P4_6/XIN	I	Input port / XIN clock input	41	P6_3/TXD2	I/O	I/O port / Serial data output
10	VCC/AVCC	-	Power supply +3.3 V	42	P3_1/TRBO	I/O	I/O port / Timer RB output
11	P5_4/TRCIOD	I/O	I/O port / Timer RC I/O	43	P3_0/TRAO	I/O	I/O port / Timer RA output
12	P5_3/TRCIOC	I/O					
13	P5_2/TRCIOB	I/O					
14	P5_1/TRCIOA/TRCTRIG	I/O	I/O port / Timer RC I/O / External trigger input	44	P3_6/(INT1)	I/O	I/O port / (INT interrupt input)
15	P5_0/TRCCCLK	I/O	I/O port / External clock input	45	P3_2/(INT2)	I/O	
16	P2_7/TRDIOD1	I/O	I/O port / Timer RD I/O	46	P1_3/KI3/AN11	I/O	
17	P2_6/TRDIOC1	I/O					
18	P2_5/TRDIOB1	I/O					
19	P2_4/TRDIOA1	I/O					
20	P2_3/TRDIOD0	I/O					
21	P2_2/TRDIOC0	I/O					
22	P2_1/TRDIOB0	I/O					
23	P2_0/TRDIOA0/TRDCLK	I/O	I/O port / Timer RD I/O / External clock input	47	P1_2/KI2/AN10	I/O	
24	P1_7/TRAIQ/INT1	I/O	I/O port / Timer RA I/O / INT interrupt input	48	P1_1/KI1/AN9	I/O	I/O port / A/D converter input
25	P1_6/CLK0	I/O	I/O port / Transfer clock I/O	49	P1_0/KI0/AN8	I/O	
26	P1_5/RXD0/TRAIQ/INT1	I/O	I/O port / Serial data input / (Timer RA I/O) / (INT interrupt input)	50	P0_0/AN7	I/O	I/O port / A/D converter input
27	P1_4/TXD0	I/O	I/O port / Serial data output	51	P0_1/AN6	I/O	
28	P8_6	I/O	I/O port	52	P0_2/AN5	I/O	
29	P8_5/TRFO12	I/O	I/O port / Timer RF output	53	P0_3/AN4	I/O	
30	P8_4/TRFO11	I/O					
31	P8_3/TRFO10/TRFI	I/O	I/O port / Timer RF output / Timer RF input	54	P0_4/AN3	I/O	I/O port
32	P8_2/TRFO02	I/O	I/O port / Timer RF output	55	P6_2	I/O	
				56	P6_1	I/O	I/O port / A/D converter input / Transfer clock I/O
				57	P0_5/AN2/CLK1	I/O	
				58	P0_6/AN1/DA0	I/O	I/O port / A/D converter input / D/A converter output
				59	VSS/AVSS	-	Ground
				60	P0_7/AN0/DA1	I/O	I/O port / A/D converter input / D/A converter output
				61	VREF	I	Reference voltage input
				62	VCC/AVCC	-	Power supply +3.3 V
				63	P3_7/SSO	I/O	I/O port / Data I/O
				64	P3_5/SCL/SSCK	I/O	I/O port / Clock I/O / Clock I/O

● **TAS3204PAGR (YA768A00) DSP (Digital Signal Processor)**

DSP: IC702

PIN NO.	NAME	I/O	FUNCTION	PIN NO.	NAME	I/O	FUNCTION
1	I2C1_SCL	I	Slave I ² C serial clock input	33	AOUT1LM	O	Analog channel 1 left negative output
2	I2C1_SDA	I/O	Slave I ² C serial control data interface input/output	34	AOUT1LP	O	Analog channel 1 left positive output
3	GPIO2	I/O	General purpose input/output #2	35	AOUT1RM	O	Analog channel 1 right negative output
4	GPIO1	I/O	General purpose input/output #1	36	AOUT1RP	O	Analog channel 1 right positive output
5	MUTE	I	This pin needs to be programmed as mute pin in the application code.	37	AVSSO	-	} Analog ground
				38	AVSS_ESD	-	
6	CS0	I	I ² C chip select	39	VR_ANA	-	Voltage reference for analog supply
7	PDN	I	Powerdown active LOW	40	AVDD3	-	Analog power supply +3.3 V
8	DVSS1	-	Digital ground	41	XTAL_IN	I	Crystal input
9	DVDD1	-	Digital power supply +3.3 V	42	XTAL_OUT	O	Crystal output
10	VR_PLL	-	Voltage reference for DPLL supply	43	MCLK_IN	I	Master clock input for I ² S interface
11	AVSSI	-	Analog ground	44	DVSS2	-	Digital ground
12	AIN1LP	I	Analog channel 1 left positive input	45	DVDD2	-	Digital power supply +3.3 V
13	AIN1LM	I	Analog channel 1 left negative input	46	MCLK_OUT3	O	} Programmable master clock output divider
14	AIN1RP	I	Analog channel 1 right positive input	47	MCLK_OUT2	O	
15	AIN1RM	I	Analog channel 1 right negative input	48	MCLK_OUT1	O	Master clock output for I ² S interface
16	AIN2LP	I	Analog channel 2 left positive input	49	VREG_EN	I	Voltage regulator enable active low
17	AIN2LM	I	Analog channel 2 left negative input	50	RESERVED	-	Pin must be connected to ground
18	AIN2RP	I	Analog channel 2 right positive input	51	LRCLK_OUT	O	Left/right (frame) clock output for I ² S interface
19	AIN2RM	I	Analog channel 2 right negative input	52	SCLK_OUT	O	Serial (bit) clock output for I ² S interface
20	AIN3LP	I	Analog channel 3 left positive input	53	SDO2	O	Serial data output #2 for I ² S interface
21	AIN3LM	I	Analog channel 3 left negative input	54	SDO1	O	Serial data output #1 for I ² S interface
22	AIN3RP	I	Analog channel 3 right positive input	55	VR_DIG	-	Voltage reference for digital supply
23	AIN3RM	I	Analog channel 3 right negative input	56	DVSS3	-	Digital ground
24	AVDD1	-	Analog power supply +3.3 V	57	DVDD3	-	Digital power supply +3.3 V
25	VMID	O	Analog mid supply reference	58	LRCLK_IN	I	Left/right (frame) clock input for I ² S interface
26	VREF	O	Band gap output	59	SCLK_IN	I	Serial (bit) clock input for I ² S interface
27	REXT	O	This pin must be connected to a 22 kΩ (1% tolerance) external resistor to ground to set analog currents.	60	SDIN2/GPIO4	I/O	Serial data input #2 for I ² S interface / General purpose input/output #4
28	AVDD2	-	Analog power supply +3.3 V	61	SDIN1/GPIO3	I/O	Serial data input #1 for I ² S interface / General purpose input/output #3
29	AOUT2LM	O	Analog channel 2 left negative output	62	RESET	I	Device reset
30	AOUT2LP	O	Analog channel 2 left positive output	63	I2C2_SDA	I/O	Master I ² C serial control data interface input/output
31	AOUT2RM	O	Analog channel 2 right negative output	64	I2C2_SCL	I	Master I ² C serial clock input
32	AOUT2RP	O	Analog channel 2 right positive output				

■ CIRCUIT BOARDS (シート基板図)

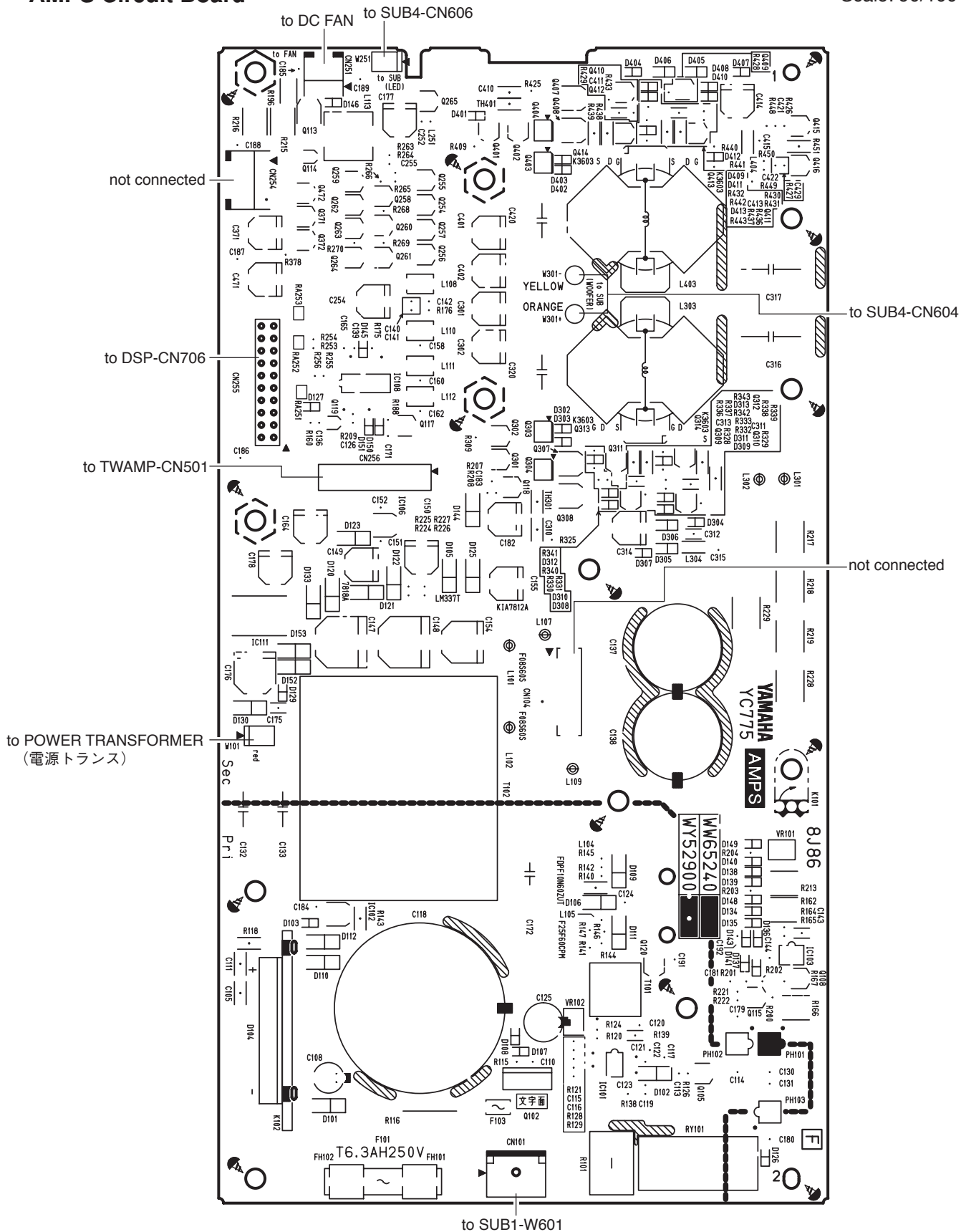
AMPS Circuit Board (YC775F00)	28/29
DSP Circuit Board (YD229D0)	30/31
LED Circuit Board (YD441C0)	34
SUB1 Circuit Board (YD233D0)	32
SUB2 Circuit Board (YD233D0)	33
SUB3 Circuit Board (YD233D0)	33
SUB4 Circuit Board (YD233D0)	34
TWAMP Circuit Board (YD206E0)	34

Note: See parts list for details of circuit board component parts.

注： シートの部品詳細は、パーツリストをご参照ください。

● AMPS Circuit Board

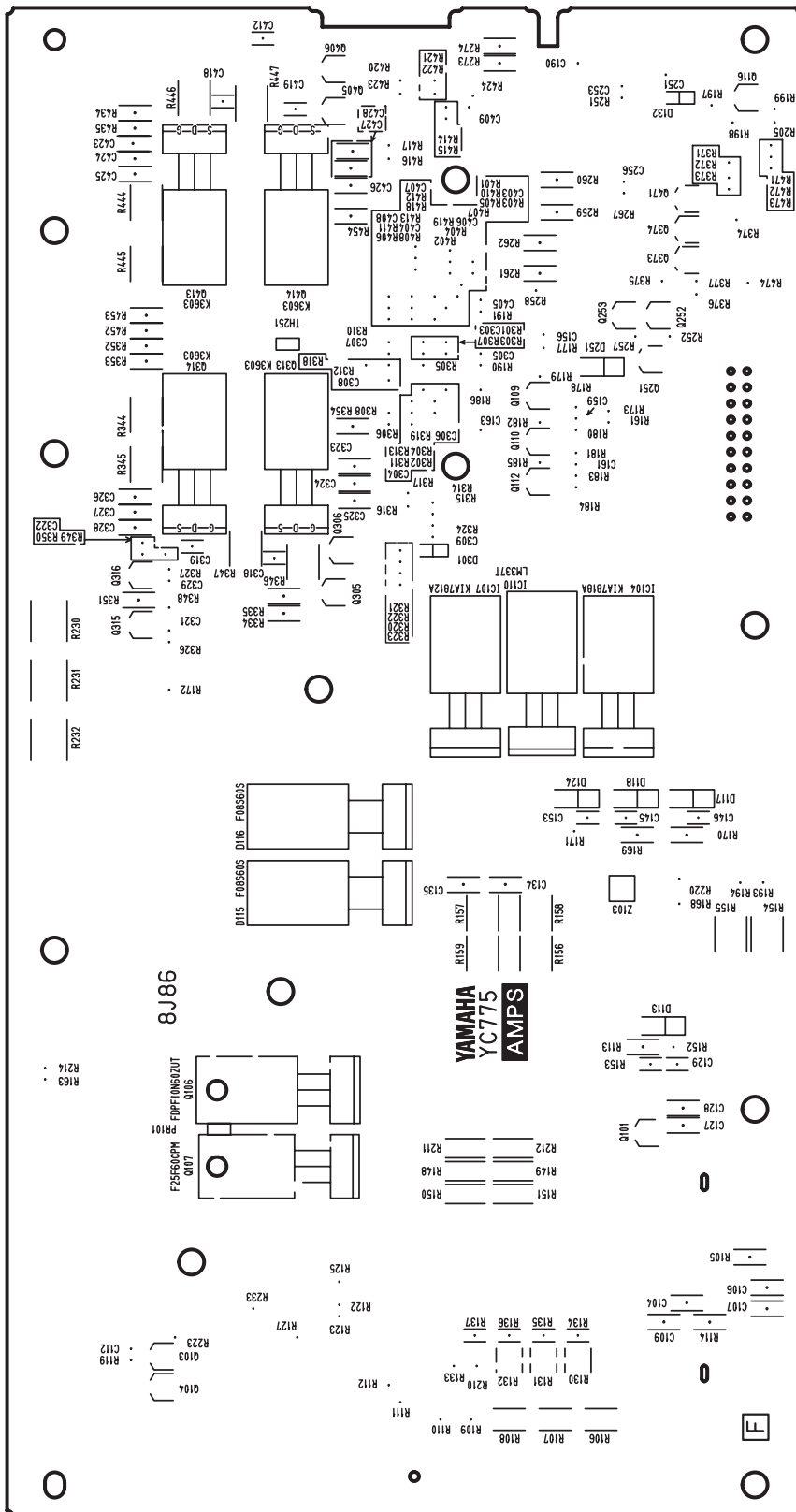
Scale: 90/100



Component side (部品側)

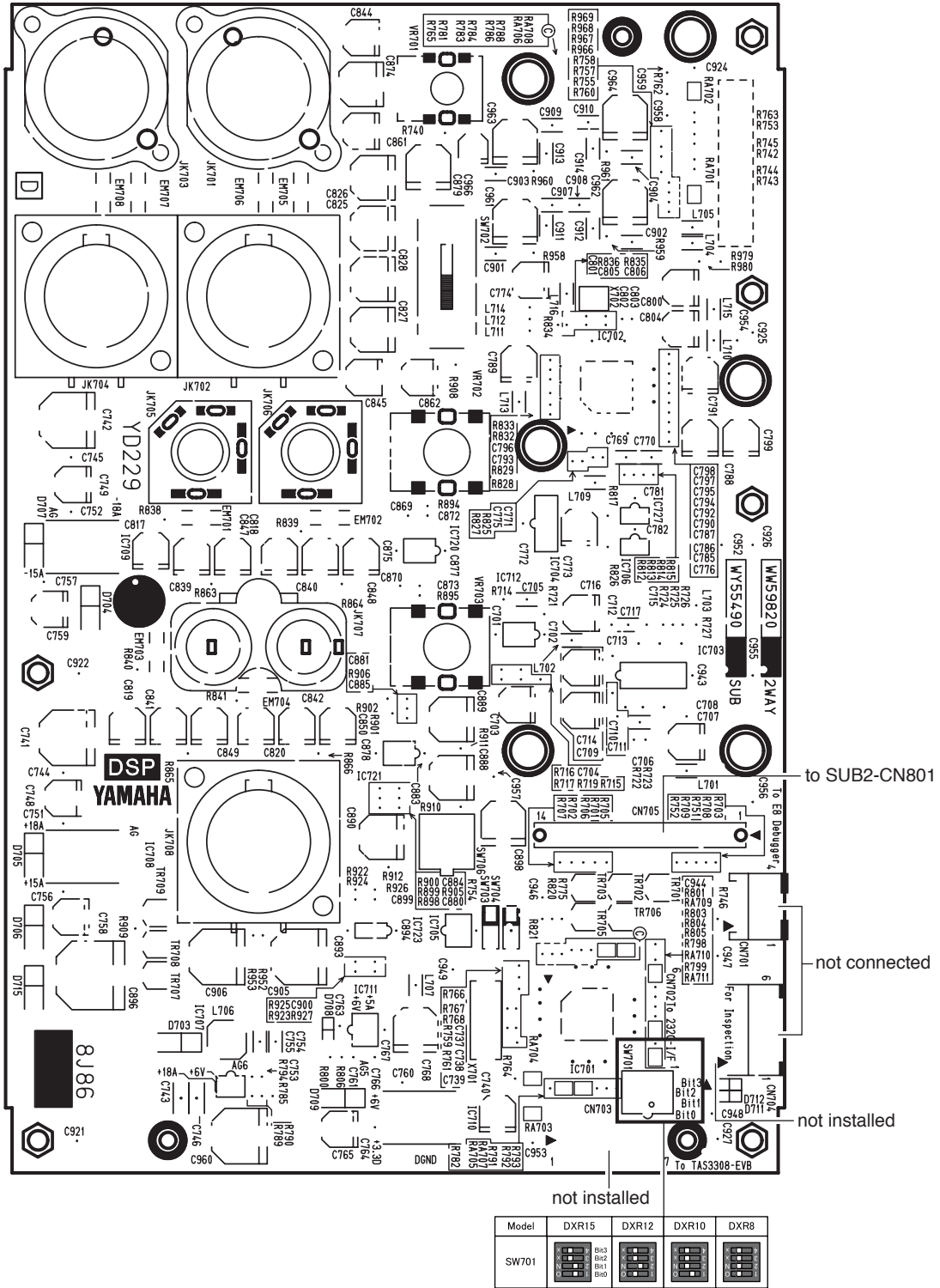
● AMPS Circuit Board

Scale: 90/100



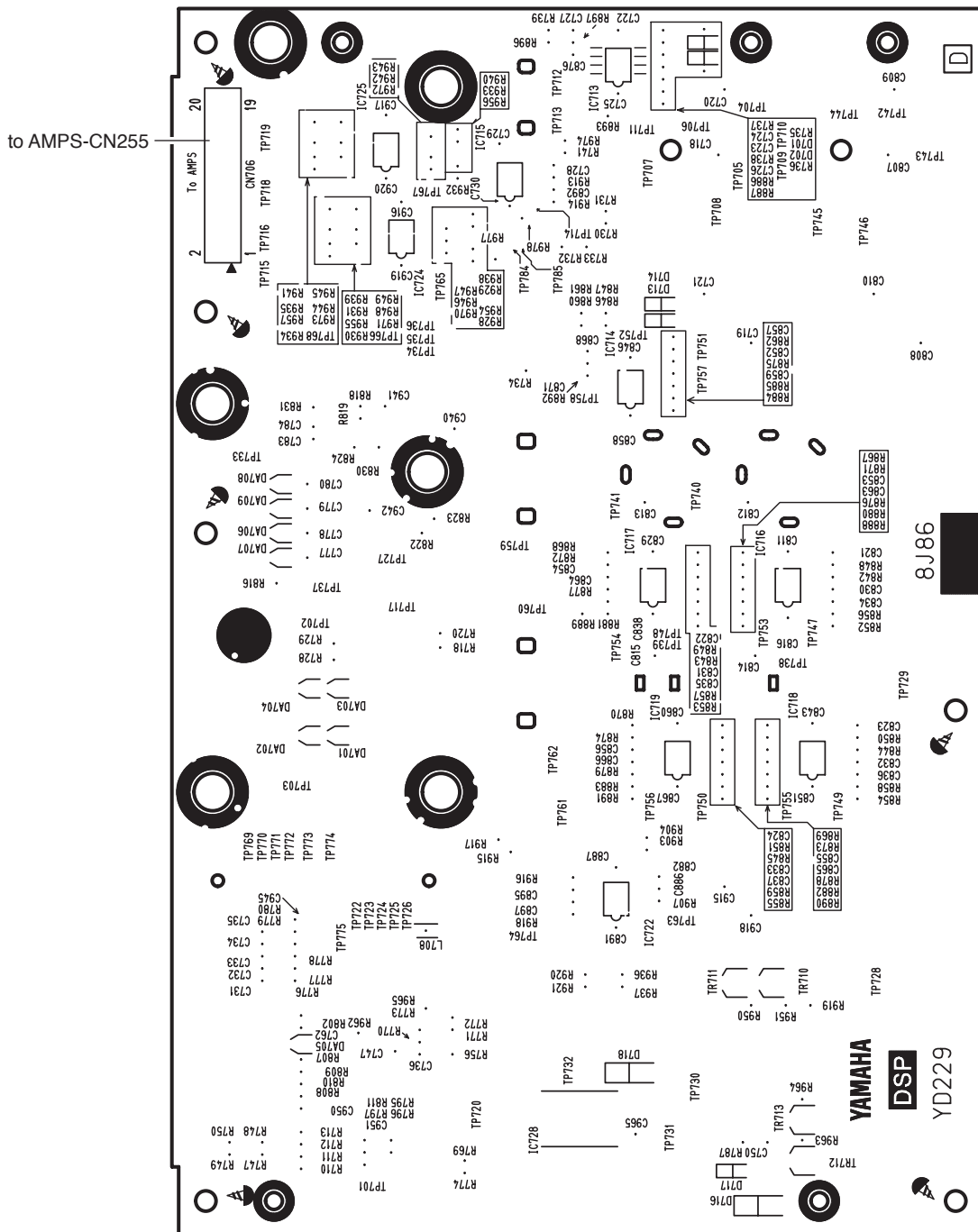
Pattern side (パターン側)

● DSP Circuit Board



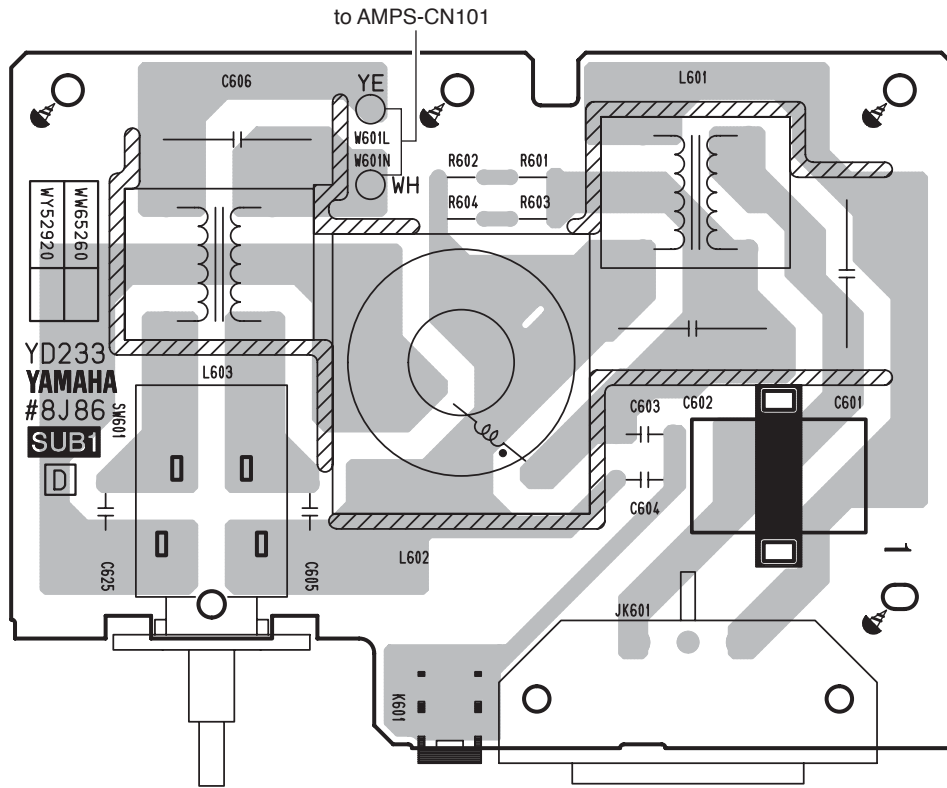
Component side (部品側)

● DSP Circuit Board

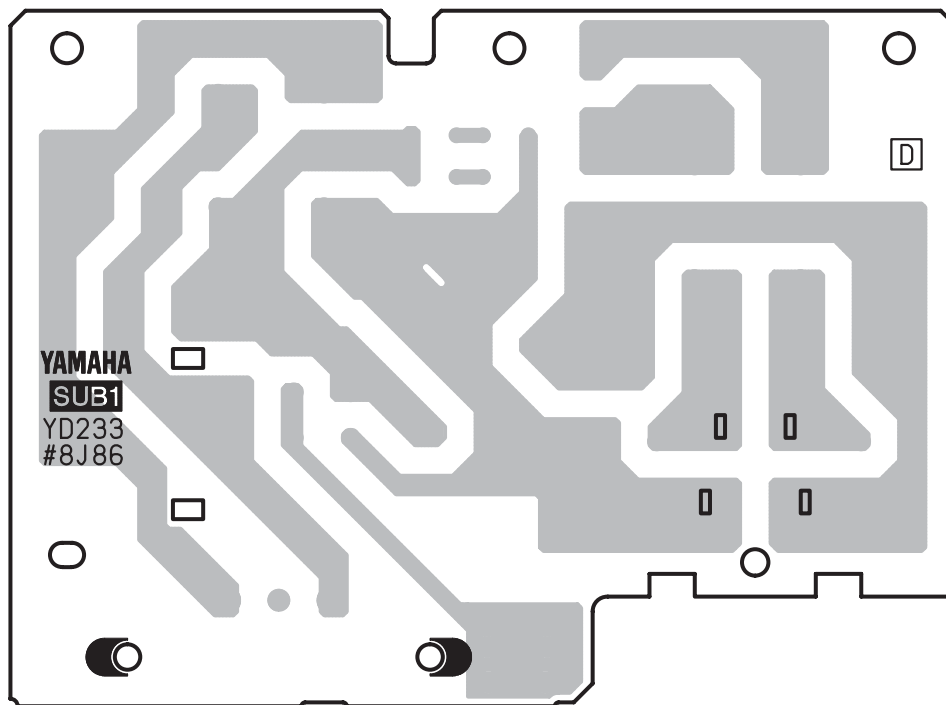


Pattern side (パターン側)

● SUB1 Circuit Board

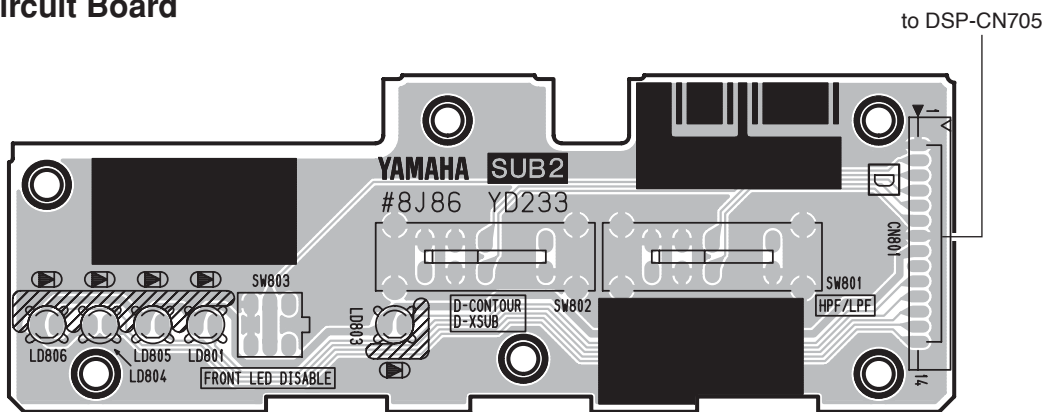


Component side (部品側)

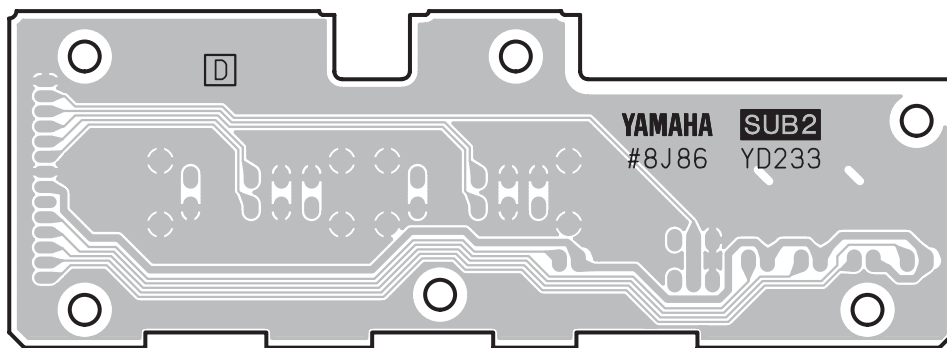


Pattern side (パターン側)

● SUB2 Circuit Board

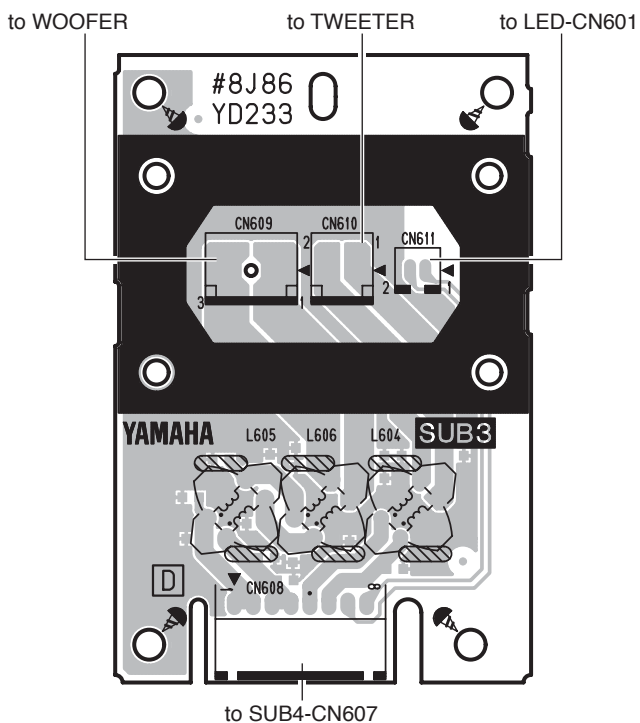


Component side (部品側)

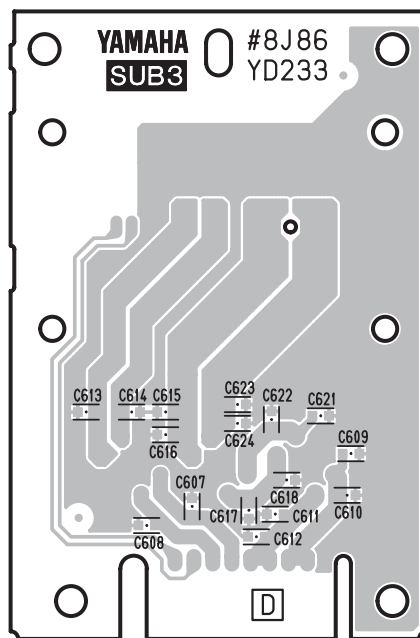


Pattern side (パターン側)

● SUB3 Circuit Board

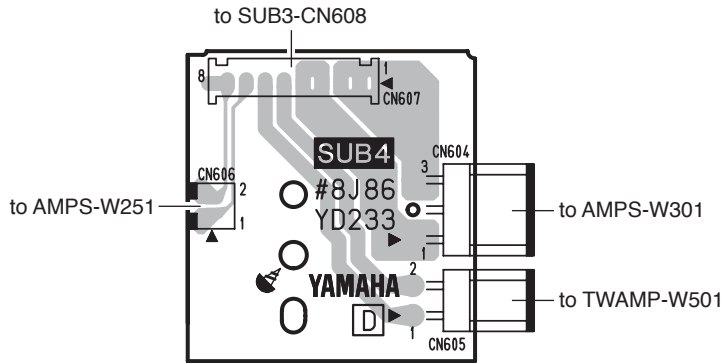


Component side (部品側)

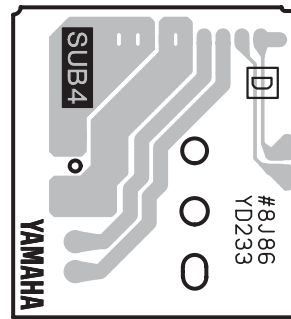


Pattern side (パターン側)

● SUB4 Circuit Board

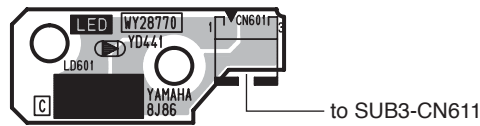


Component side (部品側)



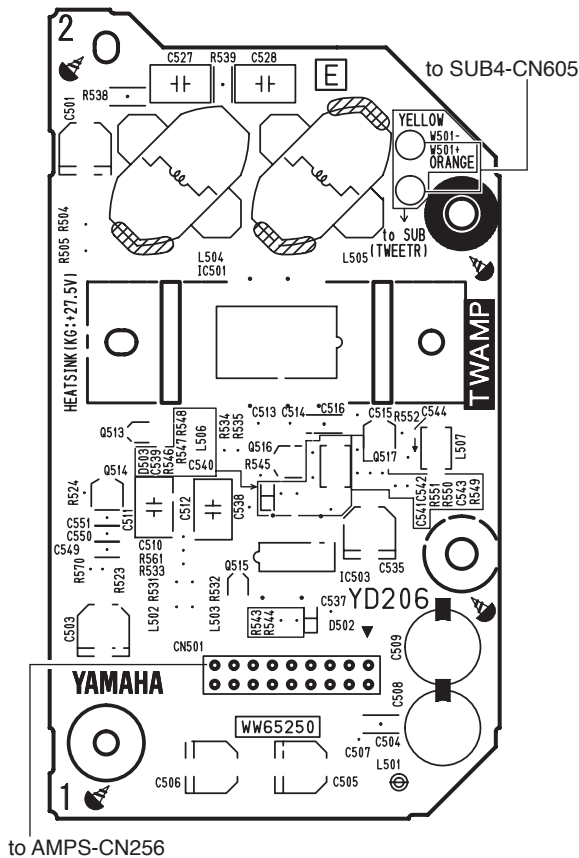
Pattern side (パターン側)

● LED Circuit Board

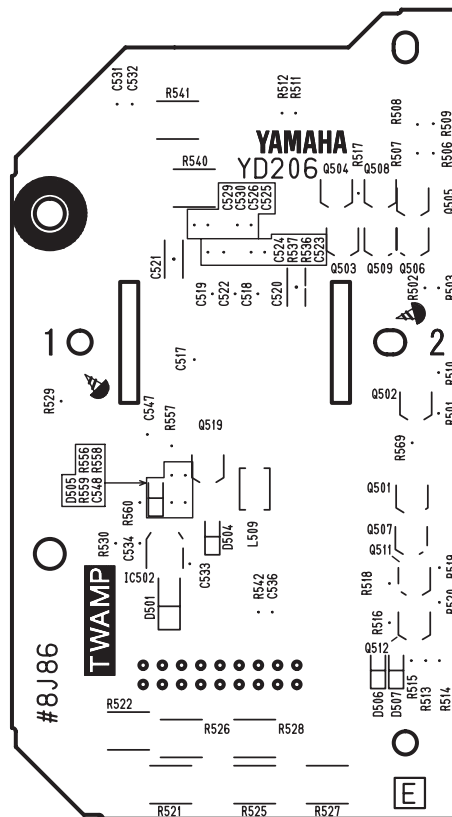


Component side (部品側)

● TWAMP Circuit Board



Component side (部品側)



Pattern side (パターン側)

TEST PROGRAM (テストプログラム)

This test program is applied to the DXR8, DXR10, DXR12 and DXR15.

このテストプログラムは DXR8、DXR10、DXR12、DXR15 に適用されます。

1. Preparation

1-1. Required items

- Personal Computer
DOS/V machine 1 unit
Windows XP SP3 with COM port
(CPU Pentium 500 MHz or above, RAM 256 MB or above)
Windows 7 with COM port
(CPU multi core 1.0 GHz or above,
RAM 1 GB (32 bit)/2 GB (64 bit) or above)
- Serial Communication Jig (WP327800) x 1
- DSR-CS Wiring Assembly (WW332900) x 1
- RS232C Cross Cable x 1

1-2. Application for Service inspection

Download the latest version of application files for service inspection from the YSISS homepage and copy them to C drive of personal computer as shown below.

(URL >> <http://plaza.yamaha.co.jp/ysiss/exindex.nsf>)

- C:\DXR\tools\DIAG\DiagDXR-SERVICE.exe
- C:\DXR\tools\DIAG\DiagDXR-SERVICE.ini

These are used for displaying the instruction of test execution and the result of execution.

1-3. Connection

Perform connection as shown in the figure below.

1. 準備

1-1. 必要なもの

- パソコン
DOS/V 機 1 台
Windows XP SP3 COM ポート有り
(CPU Pentium 500 MHz 以上、RAM 256 MB 以上)
Windows 7 COM ポート有り
(CPU マルチコア 1.0 GHz 以上、
RAM 1 GB 以上 (32 bit)/2 GB (64 bit) 以上)
- シリアルコミュニケーション治具 (WP327800) × 1
- DSR-CS 束線 (WW332900) × 1
- RS-232C クロスケーブル × 1

1-2. サービス検査用アプリケーション

YSISS ホームページからサービス検査用アプリケーションファイル最新版をダウンロードし、パソコンの C ドライブに下記のようにコピーします。

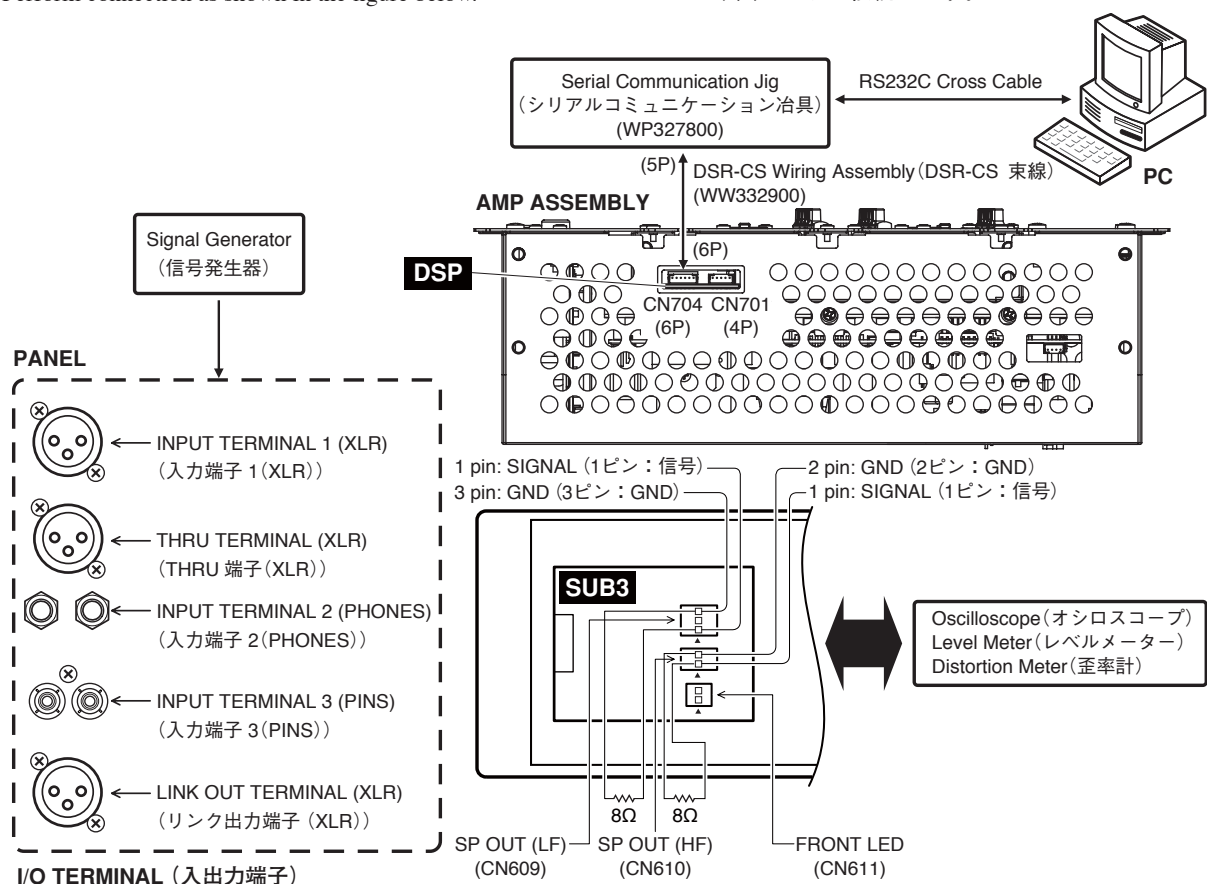
(URL >> <http://plaza.yamaha.co.jp/ysiss/index.nsf>)

- C:\DXR\tools\DIAG\DiagDXR-SERVICE.exe
- C:\DXR\tools\DIAG\DiagDXR-SERVICE.ini

これらはテスト実行指示と実行結果を表示するために使用します。

1-3. 接続

下図のように接続します。



2. Service inspection

2-1. How to activate

- (1) With the FRONT LED DISABLE switch turned off (switch is not pressed inward), turn on the power to the AMP UNIT.

After about 4 seconds, the diagnostic mode is activated and all LEDs on the rear panel blink at intervals of 500ms.

- (2) Run application for Service inspection (DiagDXR-SERVICE.exe).

The following inspection screen is displayed.

Note:

If all LEDs on the rear panel do not blink, it's considered that it started with mode other than diagnostic mode, setup mistake or peripheral circuitry trouble.

2. サービス検査

2-1. 起動方法

- (1) FRONT LED DISABLE スイッチをオフにした(スイッチを押さない) 状態で AMP UNIT の電源を入れます。

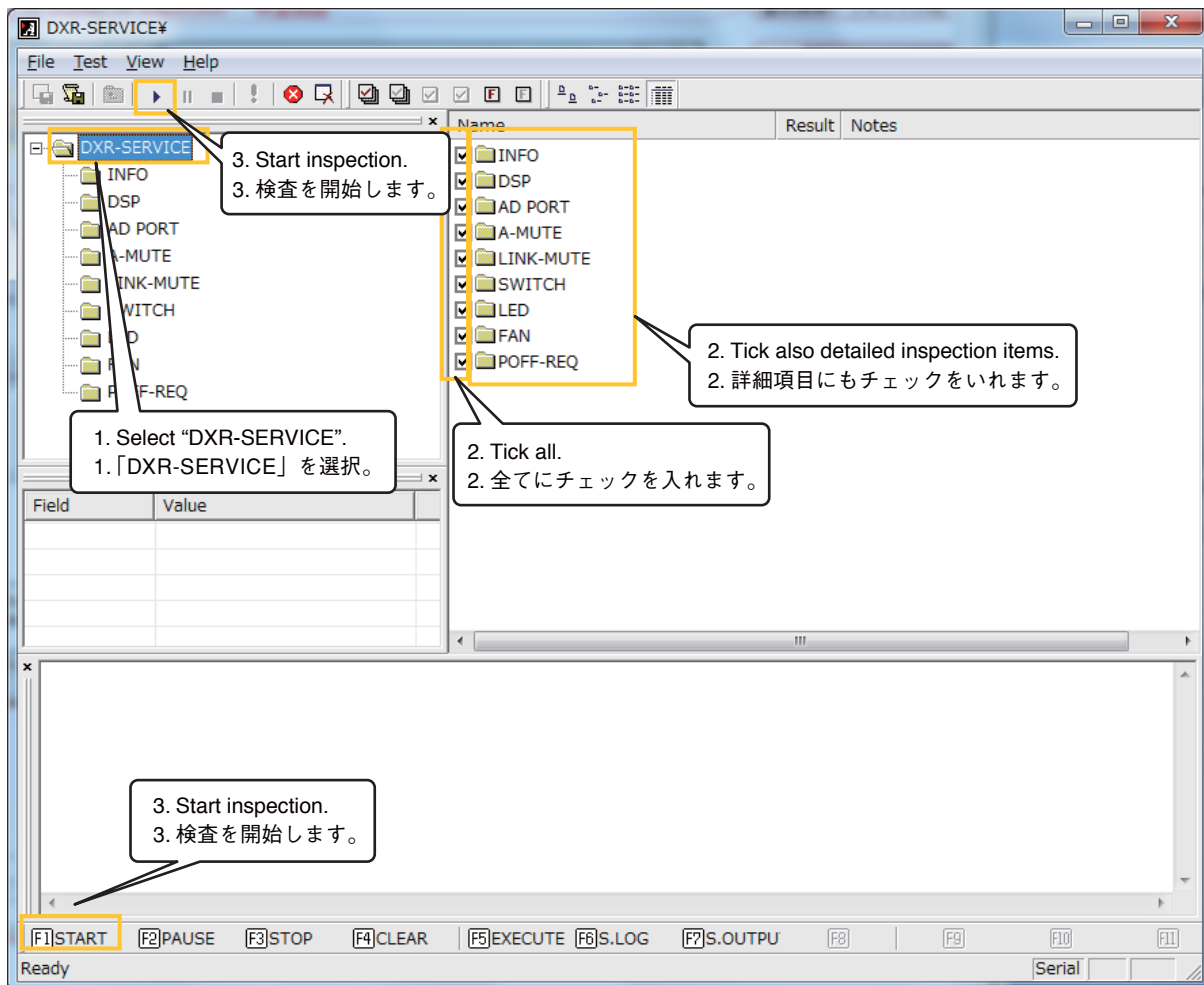
約 4 秒後、ダイアグモードが起動し、リアパネルにある全 LED が 500 ms 間隔で点滅します。

- (2) サービス検査用アプリケーション (DiagDXR-SERVICE.exe) を起動します。

注:

リアパネルにある全 LED が全点滅しない場合、ダイアグモード以外のモードで起動したか、設置ミスまたは周辺回路の故障が考えられます。

Inspection screen (検査画面)



3. Test Items

For details of inspection refer to “INSPECTIONS” on page 45.

3-1. INFO inspection

Check VERSION number and MODEL ID by sight.
The result is displayed in property window as shown below.

- * It's possible that the column of value is in blank.
- * Example is described in the column of Value.
- * If firmware is broken, “firmware is broken” is displayed in VERSION.

Field	Value (Example)	Supplementary note
VERSION	V1.00	Character string of Version.
MODEL ID	DXR12	Corresponding Model ID.

Troubleshooting

Check signal line between SW (DSP circuit board: SW701) and CPU (DSP circuit board: IC701), and SW itself.

3-2. DSP inspection

Communication condition with DSP via I2C-BUS and operational state of inside DSP are inspected automatically.
The result is displayed in output window as shown below.

When Normal

DSP COM	PASS: DSP COMMUNICATION
DSP CTRL	PASS: DSP CONTROL

When out of order

DSP COM	FAIL: DSP COMMUNICATION
DSP CTRL	FAIL: DSP CONTROL

Troubleshooting

If “FAIL: DSP COMMUNICATION” is displayed, check wire connection and the following parts.

DSP (DSP circuit board: IC702) and CPU (DSP circuit board: IC701)

3-3. AD input port inspection

The voltage (temperature) from T-SENSE port is inspected automatically.

The result is displayed in output window as shown below.

When Normal

0.10 V ~ 0.50 V	PASS: Temperature (x.xx V)
-----------------	----------------------------

When Abnormal

0.09 V or below	FAIL: Temperature (x.xx V)
0.51 V or above	FAIL: Temperature (x.xx V)

3. 検査項目

検査の詳細は「検査」(45 ページ) を参照してください。

3-1. INFO 検査

VERSION 番号、MODEL ID を目視で確認します。
検査結果はプロパティウインドウへ下記のように表示されます。

- ※ Value の欄が空白の場合もあります。
- ※ Value の欄には、例を記入してあります。
- ※ ファームウェアが破壊している場合、「VERSION」に「firmware is broken」と表示されます。

Field	Value (例)	補足
VERSION	V1.00	バージョン文字列
MODEL ID	DXR12	該当するモデル ID

トラブルシューティング

DSP シートと AMPS シートの接続、AMPS シート上の DC 検出回路を確認してください。

3-2. DSP 検査

I2C-BUS 経由の DSP との通信状態、DSP 内部の動作状態の良否を自動的に検査します。

検査結果はアウトプットウインドウへ下記のように表示されます。

正常時

DSP COM	PASS : DSP COMMUNICATION
DSP CTRL	PASS : DSP CONTROL

故障時

DSP COM	FAIL : DSP COMMUNICATION
DSP CTRL	FAIL : DSP CONTROL

トラブルシューティング

“FAIL : DSP COMMUNICATION” と表示されている場合、結線及び下記の部品を確認してください。

DSP (DSP シート : IC702) と CPU (DSP シート : IC701)

3-3. AD 入力ポート検査

T-SENSE ポートからの電圧 (温度) を自動的に検査します。

検査結果はアウトプットウインドウへ下記のように表示されます。

正常時

0.10 V ~ 0.50 V	PASS : Temperature (x.xx V)
-----------------	-----------------------------

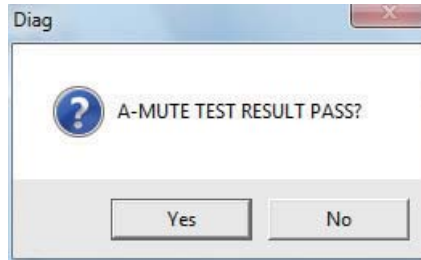
異常時

0.09 V 以下	FAIL : Temperature (x.xx V)
0.51 V 以上	FAIL : Temperature (x.xx V)

3-4. A-MUTE inspection

Conduct level check when analog mute (SP OUT side).
Input measuring result on A-MUTE test.

If result is PASS, click “Yes” button.
If result is FAIL, click “No” button.



When determination of the result based on measurement result by operator is input, the result is displayed in output window as shown below.

When Normal

Measurement value PASS	PASS: A-MUTE LEVEL
------------------------	--------------------

When Abnormal

Measurement value FAIL	FAIL: A-MUTE LEVEL
------------------------	--------------------

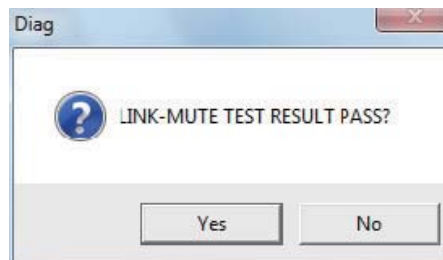
Troubleshooting

If FAIL, check AMPS circuit board.

3-5. LINK-MUTE inspection

Conduct level check when analog mute (LINK OUT side).
Input measuring result on LINK-MUTE test.

If result is PASS, click “Yes” button.
If result is FAIL, click “No” button.

**3-4. A-MUTE 検査**

アナログミュート時（SP OUT 側）のレベル確認を行います。

A-MUTE テストでの計測結果を入力します。

結果が PASS の場合、「Yes」ボタンをクリックします。
結果が FAIL の場合、「No」ボタンをクリックします。

オペレータの計測結果に応じた結果判定を入力すると、検査結果はアウトプットウィンドウへ下記のように表示されます。

正常時

計測値 PASS	PASS : A-MUTE LEVEL
----------	---------------------

異常時

計測値 FAIL	FAIL : A-MUTE LEVEL
----------	---------------------

トラブルシューティング

FAIL の場合、AMPS シートを確認してください。

3-5. LINK-MUTE 検査

アナログミュート時（LINK OUT 側）のレベル確認を行います。

LINK-MUTE テストでの計測結果を入力します。

結果が PASS の場合、「Yes」ボタンをクリックします。
結果が FAIL の場合、「No」ボタンをクリックします。

When determination of the result based on measurement result by operator is input, the result is displayed in output window as shown below.

When Normal

Measurement value PASS	PASS: LINK-MUTE LEVEL
------------------------	-----------------------

When Abnormal

Measurement value FAIL	FAIL: LINK-MUTE LEVEL
------------------------	-----------------------

Troubleshooting

If FAIL, check parts (DSP circuit board: TR707 - TR711) and peripheral circuitry and wire connection.

3-6. SWITCH inspection

Inspect on / off status of FRONT LED DISABLE switch.
Inspect FOH / MAIN / OFF / MONITOR status D-CONTOUR switch.
Inspect 120 Hz / 100 Hz / OFF status of HPF switch.
Set status of each switch according to the display and click "OK" button.

オペレータの計測結果に応じた結果判定を入力すると、検査結果はアウトプット ウィンドウへ下記のように表示されます。

正常時

計測値 PASS	PASS : LINK-MUTE LEVEL
----------	------------------------

異常時

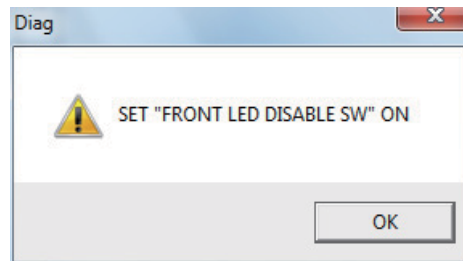
計測値 FAIL	FAIL : LINK-MUTE LEVEL
----------	------------------------

トラブルシューティング

FAIL の場合、DSP シート上の TR707 ~ TR711 と周辺の部品および配線を確認してください。

3-6. SWITCH 検査

FRONT LED DISABLE スイッチの ON / OFF 状態を検査します。
D-CONTOUR スイッチの FOH / MAIN / OFF / MONITOR 状態を検査します。
HPF スイッチの 120 Hz / 100 Hz / OFF 状態を検査します。
画面表示に従って各スイッチの状態を設定し、「OK」ボタンをクリックします。



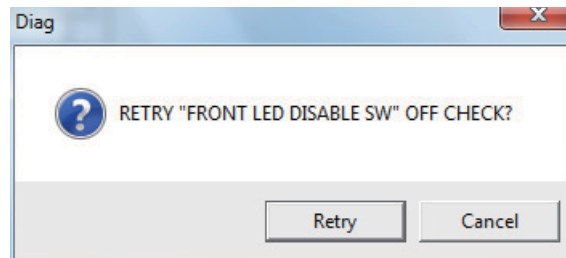
If result is FAIL, the following display for retry is displayed.

When "Retry" button is clicked, the test is performed again.

When "Cancel" button is clicked, the test is not performed again.

FAIL の場合、下記の再検査用画面が表示されます。「Retry」ボタンをクリックすると再テストが実施されます。

「Cancel」ボタンをクリックすると再テストは実施されません。



The result is displayed in output window as shown below.

When Normal

FRONT LED DISABLE ON	PASS: FRONT LED DISABLE ON
FRONT LED DISABLE OFF	PASS: FRONT LED DISABLE OFF
D-CONTOUR FOH/MAIN	PASS: D-CONTOUR FOH/MAIN
D-CONTOUR MONITOR	PASS: D-CONTOUR MONITOR
D-CONTOUR OFF	PASS: D-CONTOUR OFF
HPF 120Hz	PASS: HPF 120Hz
HPF 100Hz	PASS: HPF 100Hz
HPF OFF	PASS: HPF OFF

When out of order

FRONT LED DISABLE ON	FAIL: FRONT LED DISABLE ON
FRONT LED DISABLE OFF	FAIL: FRONT LED DISABLE OFF
D-CONTOUR FOH/MAIN	FAIL: D-CONTOUR FOH/MAIN
D-CONTOUR MONITOR	FAIL: D-CONTOUR MONITOR
D-CONTOUR OFF	FAIL: D-CONTOUR OFF
HPF 120Hz	FAIL: HPF 120Hz
HPF 100Hz	FAIL: HPF 100Hz
HPF OFF	FAIL: HPF OFF

3-7. LED inspection

LIMIT LED lights. → Conduct inspection whether it turns off the light.

SIGNAL LED lights. → Conduct inspection whether it turns off the light.

PROTECTION LED lights. → Conduct inspection whether it turns off the light.

POWER LED lights. → Conduct inspection whether it turns off the light.

D-CONTOUR LED lights. → Conduct inspection whether it turns off the light.

FRONT LED lights. → Conduct inspection whether it turns off the light.

Conduct inspection whether all LEDs light or not.

In consideration of a case that operator misses a sequence of action that turns on → off the LED, it's possible to reconfirm the successive test with "Retry" button.

検査結果はアウトプットウインドウへ下記のように表示されます。

正常時

FRONT LED DISABLE ON	PASS: FRONT LED DISABLE ON
FRONT LED DISABLE OFF	PASS: FRONT LED DISABLE OFF
D-CONTOUR FOH/MAIN	PASS: D-CONTOUR FOH/MAIN
D-CONTOUR MONITOR	PASS: D-CONTOUR MONITOR
D-CONTOUR OFF	PASS: D-CONTOUR OFF
HPF 120Hz	PASS: HPF 120Hz
HPF 100Hz	PASS: HPF 100Hz
HPF OFF	PASS: HPF OFF

故障時

FRONT LED DISABLE ON	FAIL: FRONT LED DISABLE ON
FRONT LED DISABLE OFF	FAIL: FRONT LED DISABLE OFF
D-CONTOUR FOH/MAIN	FAIL: D-CONTOUR FOH/MAIN
D-CONTOUR MONITOR	FAIL: D-CONTOUR MONITOR
D-CONTOUR OFF	FAIL: D-CONTOUR OFF
HPF 120Hz	FAIL: HPF 120Hz
HPF 100Hz	FAIL: HPF 100Hz
HPF OFF	FAIL: HPF OFF

3-7. LED 検査

LIMIT LED が点灯→消灯するか検査を行います。

SIGNAL LED が点灯→消灯するか検査を行います。

PROTECTION LED が点灯→消灯するか検査を行います。

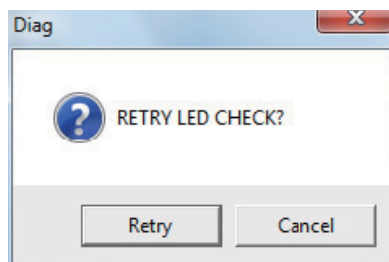
POWER LED が点灯→消灯するか検査を行います。

D-CONTOUR LED が点灯→消灯するか検査を行います。

FRONT LED が点灯→消灯するか検査を行います。

全 LED が点灯するか検査を行います。

オペレータが LED の点灯→消灯を見逃すケースを考慮し、「Retry」ボタンでの一連のテストの再確認が可能です。



Determine all LED tests comprehensively.

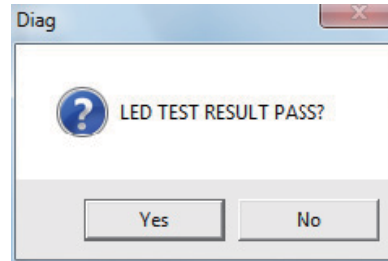
If result is PASS, click “Yes” button.

If result is FAIL, click “No” button.

全 LED テストの総合判定を行います。

結果が PASS の場合、「Yes」ボタンをクリックします。

結果が FAIL の場合、「No」ボタンをクリックします。



The result is displayed in output window as shown below.

検査結果はアウトプット ウィンドウへ下記のように表示されます。

When Normal

LIMIT LED	PASS: LIMIT LED
SIGNAL LED	PASS: SIGNAL LED
PROTECTION LED	PASS: PROTECTION LED
POWER LED	PASS: POWER LED
D-CONTOUR LED	PASS: D-CONTOUR LED
FRONT LED	PASS: FRONT LED
LED ALL	PASS: LED ALL

正常時

LIMIT LED	PASS: LIMIT LED
SIGNAL LED	PASS: SIGNAL LED
PROTECTION LED	PASS: PROTECTION LED
POWER LED	PASS: POWER LED
D-CONTOUR LED	PASS: D-CONTOUR LED
FRONT LED	PASS: FRONT LED
LED ALL	PASS: LED ALL

When out of order

LIMIT LED	FAIL: LIMIT LED
SIGNAL LED	FAIL: SIGNAL LED
PROTECTION LED	FAIL: PROTECTION LED
POWER LED	FAIL: POWER LED
D-CONTOUR LED	FAIL: D-CONTOUR LED
FRONT LED	FAIL: FRONT LED
LED ALL	FAIL: LED ALL

故障時

LIMIT LED	FAIL: LIMIT LED
SIGNAL LED	FAIL: SIGNAL LED
PROTECTION LED	FAIL: PROTECTION LED
POWER LED	FAIL: POWER LED
D-CONTOUR LED	FAIL: D-CONTOUR LED
FRONT LED	FAIL: FRONT LED
LED ALL	FAIL: LED ALL

3-8. FAN inspection

Inspect FAN condition when the speed of FAN is changed.

Inspect the speed of FAN to change and to become early.

Determine FAN tests comprehensively.

If result is PASS, click “Yes” button.

If result is FAIL, click “No” button.

3-8. FAN 検査

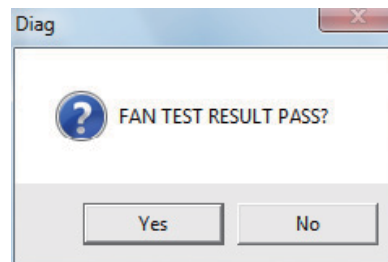
FAN の速度を変化させ FAN の良否を検査します。

FAN のスピードが変化し早くなることを検査します。

FAN テストの総合判定を行います。

結果が PASS の場合、「Yes」ボタンをクリックします。

結果が FAIL の場合、「No」ボタンをクリックします。



The result is displayed in output window as shown below.

When Normal

FAN CHECK	PASS: FAN CHECK
-----------	-----------------

When out of order

FAN CHECK	FAIL: FAN CHECK
-----------	-----------------

Troubleshooting

If “FAIL: FAN CHECK” is indicated, check connection of DSP circuit board and AMPS circuit board, and check FAN, and power supply circuit of FAN on AMPS circuit board.

検査結果はアウトプットウィンドウへ下記のように表示されます。

正常時

FAN CHECK	PASS: FAN CHECK
-----------	-----------------

故障時

FAN CHECK	FAIL: FAN CHECK
-----------	-----------------

トラブルシューティング

“FAIL: FAN CHECK” と表示されている場合、DSP シートと AMPS シートの接続、FAN および AMPS シート上の FAN の電源回路を確認してください。

3-9. POFF-REQ inspection

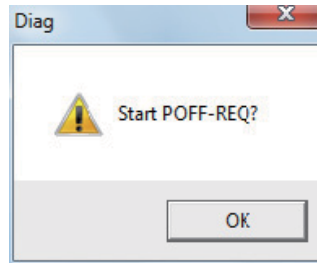
Inspect the shutdown of the power supply when POFF-REQ is activated.

Click “OK” button and start the POFF-REQ tests.

3-9. POFF-REQ 検査

POFF-REQ をアクティブにし、電源のシャットダウンを検査します。

「OK」 ボタンをクリックして、POFF-REQ テストを開始します。

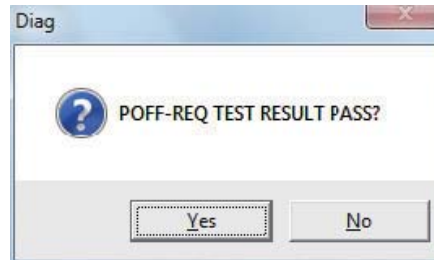


Determine POFF-REQ tests comprehensively.

If result is PASS, click “Yes” button.
If result is FAIL, click “No” button.

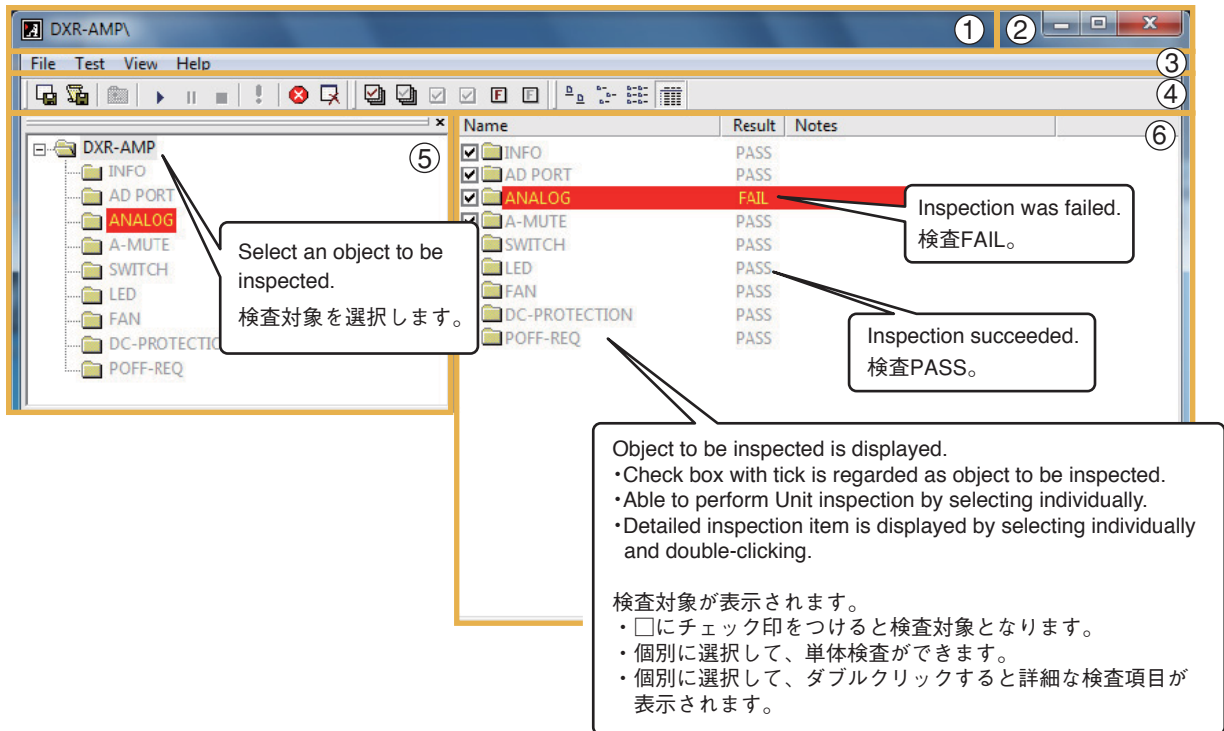
POFF-REQ テストの総合判定を行います。

結果が PASS の場合、「Yes」ボタンをクリックします。
結果が FAIL の場合、「No」ボタンをクリックします。



The explanation of Application

アプリケーション説明

**(1) Title bar (①)**

Title of application is displayed.

(2) Title button (②)

Button for managing window is displayed.

The buttons are “minimization”, “maximization” and “close” from the left.

(3) Menu bar (③)

Menu list is displayed.

(4) Tool bar (④)

Command buttons are displayed.

(5) Tree window (⑤)

Test items are shown by hierarchical display.

After being selected, item which is included in hierarchy is displayed in “List window”.

(6) List window (⑥)

List of items which are included in hierarchy selected in Tree window is displayed.

When test is started from [Test]-[Start] menu, it is performed to item only which was ticked.

When “Detail” is selected to display, “Result” and “Procedure” are displayed.

Font color can be changed depending on test result.

Font color change is specified at [View]-[Options] menu.

(1) タイトルバー (①)

アプリケーションのタイトルが表示されます。

(2) タイトルボタン (②)

ウインドウ操作を行うボタンが表示されます。

ボタンは左から「最小化」、「最大化」、「閉じる」。

(3) メニューバー (③)

メニュー一覧が表示されます。

(4) ツールバー (④)

コマンドボタンが表示されます。

(5) ツリーウインドウ (⑤)

テスト項目が階層表示されます。

選択を行うと階層に含まれる項目が「リストウインドウ」に表示されます。

(6) リストウインドウ (⑥)

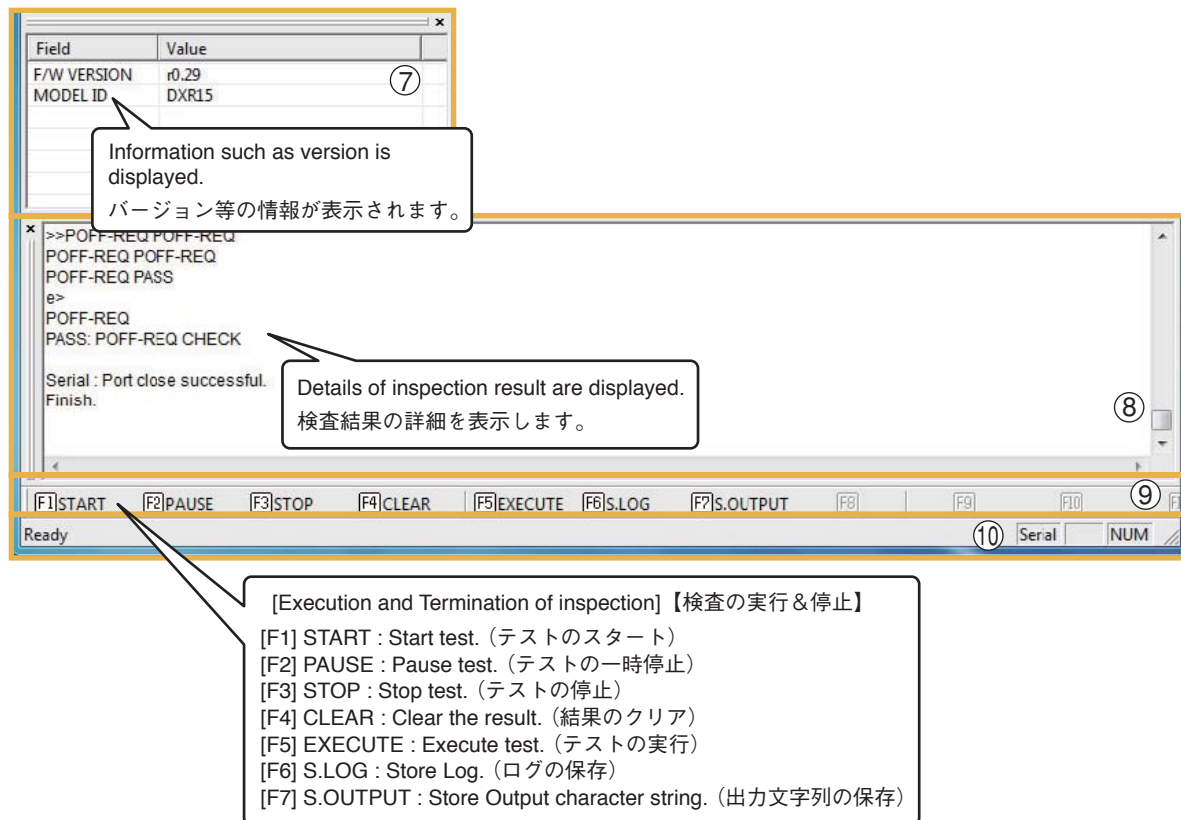
「ツリーウインドウ」で選択された階層内に含まれる項目一覧が表示されます。

[テスト]-[開始]メニューでテストを開始した場合、チェックマークが付いている項目のみが実行されます。

表示に「詳細」を選択した場合は「結果」と「プロシージャ」が表示されます。

テスト結果により文字色を変更することができます。

文字色の変更は [View] - [Options] メニューで設定します。

**(7) Property window (7)**

List of character strings obtained by test is displayed.

(8) Output window (8)

Character strings, such as communication content with the unit, are displayed.

Font type and the color are specified at [View]-[Options] menu.

(9) Function Key (9)

Commands assigned from F1 to F12 are displayed.

(10) Status bar (10)

The explanation of select command and status of toggle key are displayed.

(11) Communication error

If there is no communication response in each inspection, "Port open error" is indicated in Output window.

The followings are considered as the cause.

- RS 232C crossing cable is not connected.
- Malfunction of Serial port and/or peripheral circuitry.

(7) プロパティウインドウ (7)

テストにより取得した文字列の一覧を表示します。

(8) アウトプットウインドウ (8)

本体との通信内容等の文字列が表示されます。フォントの種類及び文字色の変更は [View]-[Options] メニューで設定します。

(9) ファンクションキー (9)

F1 ~ F12 キーへ割り当てられたコマンドが表示されます。

(10) ステータスバー (10)

選択コマンドの説明及びトグルキーの状態を表示します。

(11) 通信エラー

各検査で通信応答が無い場合は、アウトプット ウィンドウへ「Port open error.」と表示します。

原因として、下記の事が考えられます。

- RS 232C クロスケーブルが接続されていない。
- シリアル端子および周辺回路の故障。

INSPECTIONS (検査)

This test specification is applied to the AMP assembly 8/10/12/15.

この検査規格はアンプ Ass'y 8/10/12/15 に適用されます。

1. Measurement Conditions

1-1. Measuring Instrument and jigs

- Use a reliable measuring device capable of precisely measuring the specification values indicated in this document.
- Input impedance of the measuring instrument should be more than 100 kΩ.
- Use the 22kHz low pass filter for the measurement of the noise, total harmonic distortion, maximum output and analog mute.
- Serial Communication Jig (WP327800) x 1
- DSR-CS Wiring Assembly (WW332900) x 1
- RS232C Cross Cable x 1

1. 測定条件

1-1. 測定器、治具

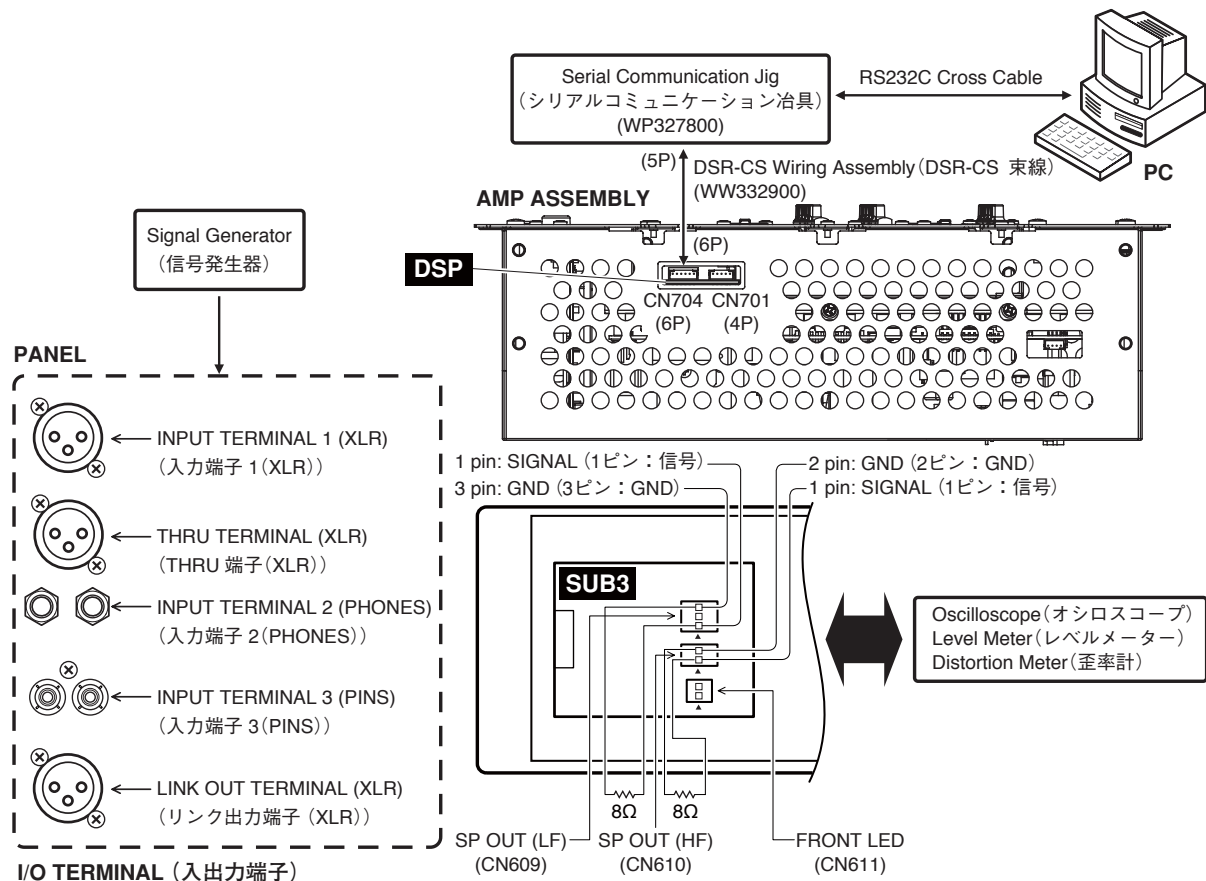
- 検査に使用する測定器は、本文中に記載の規格を十分精度良く測定できる精度及び確度を持つものを使用してください。
- 測定器の入力インピーダンスは 100 kΩ 以上のものを使用してください。
- ノイズ、全高調波歪率、最大出力、アナログ MUTE の測定には 22 kHz のローパスフィルタを使用してください。
- シリアルコミュニケーション治具 (WP327800) × 1
- DSR-CS 束線 (WW332900) × 1
- RS232C クロスケーブル × 1

1-2. Connection

Perform connection as shown in the figure below.

1-2. 接続

下図のように接続します。



1-3. Preparation

- The load resistors for each output terminals are as follows.
 - SP OUT (LF) Between 1 pin and 3 pin of CN609:
8 ohms±1 % (Rated 500 W or more)
 - SP OUT (HF) Between 1 pin and 2 pin of CN610:
8 ohms±1 % (Rated 100 W or more)
- 0 dBu is referenced to 0.775 Vrms. 0 dBV is referenced to 1 Vrms.
- Unless otherwise specified, the controls should be set as follows.

Level control (INPUT 1-3)	: -∞ (MIN)
MIC/LINE switch	: LINE
HPF switch	: OFF
D-CONTOUR switch	: OFF
FRONT LED DISABLE switch	: OFF
LINK MODE switch	: MONO (OFF)
- Unless otherwise specified, the input signal should be 1 kHz sine wave.
- The output impedance of signal generator should be 100 Ω - 150 Ω.

1-4. Activating diagnostic mode and application for service inspection

The inspection must be performed with both the diagnostic mode of the unit and the application for service inspection of PC are activated.

Follow the steps below.

- With the FRONT LED DISABLE switch turned off, turn on the power to the amp assembly.
After about 4 seconds, the diagnostic mode is activated and all LEDs on the rear panel blink at intervals of 500 ms.
- Run application for service inspection (DiagDXR-SERVICE.exe).

2. Inspection Items

2-1. Power consumption

Perform measurement with no signal input.

Confirm that the primal power consumption is 35 W or less.

2-2. Adjustment of AMPS Circuit Board

- * The tip of the screwdriver for adjustment must be insulation material.
- (1) Adjustment of ±VB voltage
2 pin of CN104 is +VB voltage, 6 pin of CN104 is -VB voltage, and of each into the jig tool.
The voltage between CN104 2 pin-CN104 6 pin is measured.
VR101 is adjusted so that the voltage value between CN104 2 pin-CN104 6 pin may become 110 V±1 V.

1-3. 準備

- 各出力端子に下記の負荷抵抗を接続します。
 - SP OUT (LF) CN609 1-3 ピン間：
8 Ω±1 % (定格 500 W 以上)
 - SP OUT (HF) CN610 1-2 ピン間：
8 Ω±1 % (定格 100 W 以上)
- 0 dBu = 0.775 Vrms, 0 dBV = 1 Vrms とします。
- 特に指定のない場合、コントロールツマミ類は以下のように設定します。

LEVEL コントロール (INPUT 1-3)	: -∞ (最小)
MIC/LINE スイッチ	: LINE
HPF スイッチ	: OFF
D-CONTOUR スイッチ	: OFF
FRONT LED DISABLE スイッチ	: OFF
LINK MODE スイッチ	: MONO (OFF)
- 特に指定のない場合、入力信号は 1 kHz 正弦波とします。
- 信号発生器の出力インピーダンスは 100 Ω～150 Ωとします。

1-4. ダイアグモードとサービス検査用アプリケーションの起動

検査は、本体のダイアグモードと PC のサービス検査用アプリケーション両方を起動した状態で行います。

以下の操作をします。

- FRONT LED DISABLE スイッチをオフにした状態でアンプ Ass'y の電源を入れます。
約 4 秒後、ダイアグモードが起動し、リアパネルにある全 LED が 500 ms 間隔で点滅します。
- サービス検査用アプリケーション (DiagDXR-SERVICE.exe) を起動します。

2. 検査項目

2-1. 消費電力

測定は入力無信号の状態で行います。

一次消費電力が 35 W 以下であることを確認します。

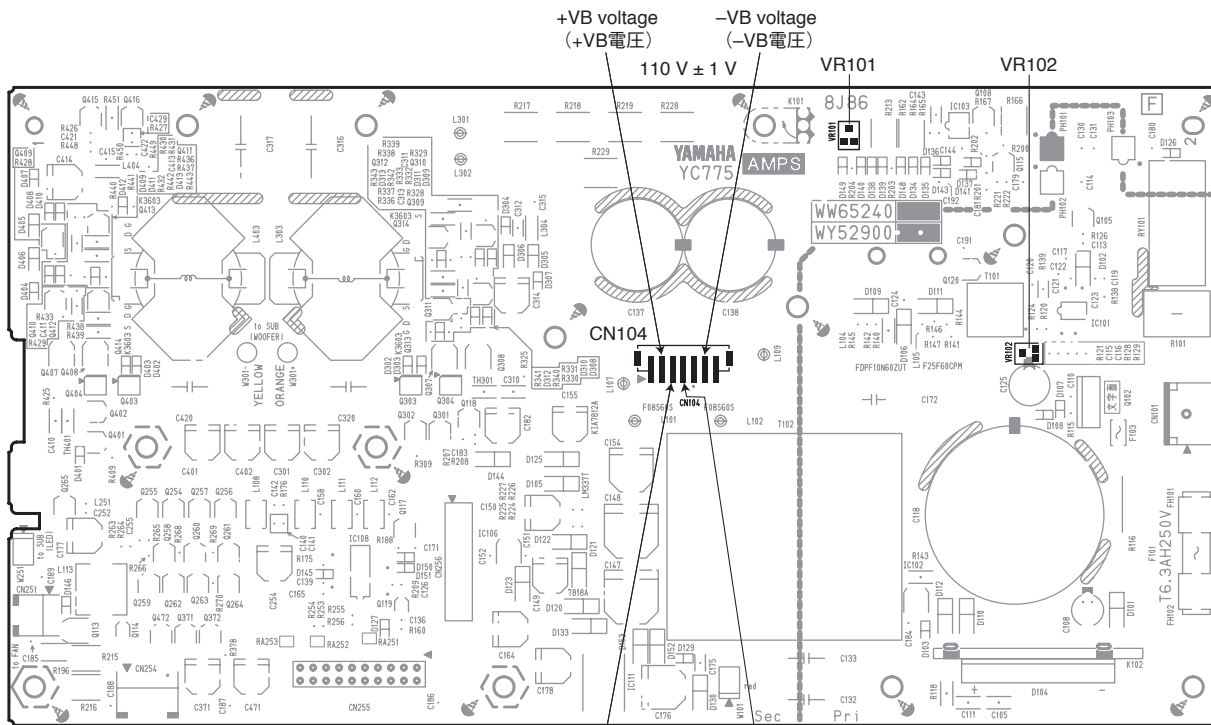
2-2. AMPS シートの調整

- ※ 調整用ドライバーは必ず先端が絶縁素材のものを使用すること。
- (1) ±VB 電圧の調整
CN104 の 2 ピンを +VB 電圧、CN104 の 6 ピンを -VB 電圧として治具側に取り込み、CN104 2 ピン - CN104 6 ピン間の電圧を計測します。
CN104 2 ピン - CN104 6 ピン間の電圧値が 110 V ± 1 V になるように VR101 を調整します。

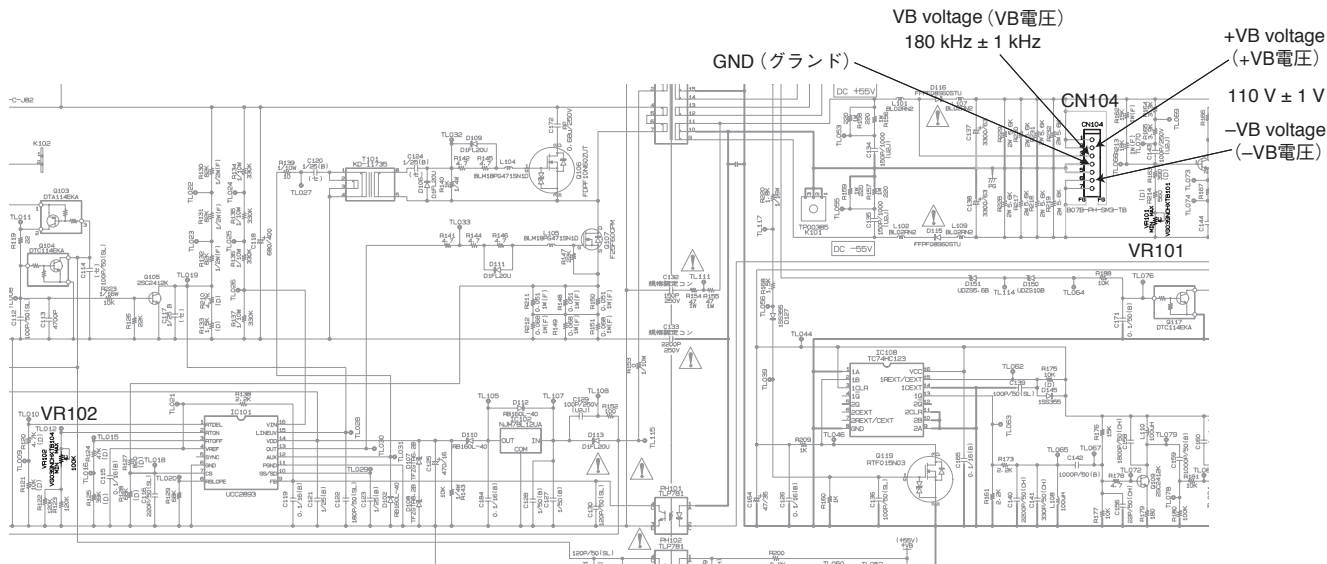
(2) Adjustment of basic frequency of VB voltage
 4 pin of CN104 is GND, 3 pin of CN104 is VB voltage, and of each into the jig tool.
 The frequency of VB voltage is measured.
 VR102 is adjusted so that the frequency may become 180 kHz±1 kHz.

(2) VB 電圧の基本周波数の調整
 CN104 の 4 ピンを GND、CN104 の 3 ピンを VB 電圧として 治具側に取り込み、VB 電圧の周波数を計測します。
 周波数が 180 kHz ± 1 kHz になるように VR102 を調整します。

• AMPS circuit board



VB voltage (VB電圧) GND (グラウンド)
 180 kHz ± 1 kHz



2-3. Power consumption when idling

Perform measurement with no signal input.
Confirm that the primal power consumption is $26\text{ W} \pm 3\text{ W}$.

2-4. Confirmation of Firmware Version

Execute INFO inspection of diagnostic mode.
Confirm the firmware version displayed on the PC.

2-5. Confirmation of Model ID

Execute INFO inspection of diagnostic mode.
Confirm the model ID displayed on the PC is as specified below.

Amp Assembly Name		MODEL ID
AMP ASSEMBLY 8	⇒	DXR8
AMP ASSEMBLY 10	⇒	DXR10
AMP ASSEMBLY 12	⇒	DXR12
AMP ASSEMBLY 15	⇒	DXR15

2-6. Confirmation of temperature sensor

Execute AD input port inspection of diagnostic mode.
It judges whether the level is the range automatically.
Specified range : 0.10 V to 0.50 V

2-7. Confirmation of indicator

Execute LED inspection of diagnostic mode.
LED lights on one by one from one side to the other.
Verify all LED lights on, then off. (visual inspection)

2-8. Confirmation of switch

Execute SWITCH inspection of diagnostic mode.
Confirm that each switch operates properly.

2-9. Confirmation of FAN

Execute FAN inspection of diagnostic mode.
It is confirmed that the fan rotates, and the speed changes.

2-10. Detector circuit of DC protection

- The voltage of DC +1 V is added to 1 pin of CN254 of the AMPS circuit board.
The DC protection operates within one second, and "DC-PROTECTION;ON" is displayed on the DIAG application.
The voltage of DC +1 V is stopped, and 1 pin of CN254 is opened.
Protection is released, and "OFF" is displayed on the DIAG application.

2-3. アイドリング時の消費電力

測定は入力無信号の状態で行います。
一次消費電力が $26\text{ W} \pm 3\text{ W}$ であることを確認します。

2-4. ファームウェアバージョンの確認

ダイアグモードの INFO 検査を実行します。
PC に表示されるファームウェアバージョンを確認します。

2-5. モデル ID の確認

ダイアグモードの INFO 検査を実行します。
PC に表示されるモデル ID が下記の規定通りであることを確認します。

アンプ Ass'y の名称		MODEL ID
アンプ Ass'y 8	⇒	DXR8
アンプ Ass'y 10	⇒	DXR10
アンプ Ass'y 12	⇒	DXR12
アンプ Ass'y 15	⇒	DXR15

2-6. 温度センサーの確認

ダイアグモードの AD 入力ポート検査を実行します。
レベルが範囲内であるか自動判定します。
許容範囲 : 0.10 V ~ 0.50 V

2-7. インジケータの確認

ダイアグモードの LED 検査を実行します。
LED が 1 個ずつ順次点灯、消灯し、最後に全点灯し全消灯することを確認します。(目視検査)

2-8. スイッチの確認

ダイアグモードの SWITCH 検査を実行します。
各スイッチが正常に動作することを確認します。

2-9. ファンの確認

ダイアグモードの FAN 検査を実行します。
ファンが回転し速度が変わることを確認します。

2-10. DC プロテクション検出回路

- AMPS シートの CN254 の 1 番端子に DC +1 V を印加します。
1 秒以内に DC プロテクションが動作し、DIAG アプリケーション上に "ON" が表示されます。
DC +1 V の印加をやめ、CN254 の 1 番端子をオープンにします。
プロテクションが解除され、DIAG アプリケーション上に "OFF" が表示されます。

- (2) The voltage of DC -1 V is added to 1 pin of CN254 of the AMPS circuit board.
The DC protection operates within one second, and "DC-PROTECTION;ON" is displayed on the DIAG application.
The voltage of DC -1 V is stopped, and 1 pin of CN254 is opened.
Protection is released, and "OFF" is displayed on the DIAG application.
- (3) The voltage of DC +1 V is added to 2 pin of CN254 of the AMPS circuit board.
The DC protection operates within one second, and "DC-PROTECTION;ON" is displayed on the DIAG application.
The voltage of DC +1 V is stopped, and 2 pin of CN254 is opened.
Protection is released, and "OFF" is displayed on the DIAG application.
- (4) The voltage of DC -1 V is added to 2 pin of CN254 of the AMPS circuit board.
The DC protection operates within one second, and "DC-PROTECTION;ON" is displayed on the DIAG application.
The voltage of DC -1 V is stopped, and 2 pin of CN254 is opened.
Protection is released, and "OFF" is displayed on the DIAG application.
- (5) The voltage of DC +1 V is added to between 3 pin and 4 pin of CN254 of the AMPS circuit board.
The DC protection operates within one second, and "DC-PROTECTION;ON" is displayed on the DIAG application.
The voltage of DC +1 V is stopped.
Protection is released, and "OFF" is displayed on the DIAG application.
- (6) The voltage of DC -1 V is added to between 3 pin and 4 pin of CN254 of the AMPS circuit board.
The DC protection operates within one second, and "DC-PROTECTION;ON" is displayed on the DIAG application.
The voltage of DC -1 V is stopped.
Protection is released, and "OFF" is displayed on the DIAG application.
- (2) AMPS シートの CN254 の 1 番端子に DC -1 V を印加します。
1 秒以内に DC プロテクションが動作し、DIAG アプリケーション上に "ON" が表示されます。
DC -1 V の印加をやめ、CN254 の 1 番端子をオープンにします。
プロテクションが解除され、DIAG アプリケーション上に "OFF" が表示されます。
- (3) AMPS シートの CN254 の 2 番端子に DC +1 V を印加します。
1 秒以内に DC プロテクションが動作し、DIAG アプリケーション上に "ON" が表示されます。
DC +1 V の印加をやめ、CN254 の 2 番端子をオープンにします。
プロテクションが解除され、DIAG アプリケーション上に "OFF" が表示されます。
- (4) AMPS シートの CN254 の 2 番端子に DC -1 V を印加します。
1 秒以内に DC プロテクションが動作し、DIAG アプリケーション上に "ON" が表示されます。
DC -1 V の印加をやめ、CN254 の 2 番端子をオープンにします。
プロテクションが解除され、DIAG アプリケーション上に "OFF" が表示されます。
- (5) AMPS シートの CN254 の 3 番端子と 4 番端子の間に DC +1 V を印加します。
1 秒以内に DC プロテクションが動作し、DIAG アプリケーション上に "ON" が表示されます。
DC +1 V の印加をやめます。
プロテクションが解除され、DIAG アプリケーション上に "OFF" が表示されます。
- (6) AMPS シートの CN254 の 3 番端子と 4 番端子の間に DC -1 V を印加します。
1 秒以内に DC プロテクションが動作し、DIAG アプリケーション上に "ON" が表示されます。
DC -1 V の印加をやめます。
プロテクションが解除され、DIAG アプリケーション上に "OFF" が表示されます。

2-11. Detector circuit of POFF-REQ

Execute POFF-REQ inspection of diagnostic mode.

After POWER LED lights, it is turned off.

Confirm that the power supply shall shut down.

2-12. Gain

- (1) Set the level control (INPUT1) to the maximum position.

The signal of -10 dBu is input to INPUT terminal 1 (XLR), and the output voltage is measured.

Confirm that the output level is within the specified below.

THRU	:	-10.0±2.0 dBu
SP OUT (LF)		
CN609-1 (OUT+_L)	:	
CN609-3 (OUT-_L)	:	+26.3 +3.0/-1.0 dBu
SP OUT (HF)		
CN610-1 (OUT+_H)	:	
CN610-2 (OUT-_H)	:	-1.93 +3.0/-1.0 dBu
LINK OUT	:	0.0 +3.0/-1.0 dBu

- (2) Set the level control (INPUT2) to the maximum position.

Insert the dummy plug in INPUT terminal 2 (PHONES) R.

The signal of -24 dBu is input to INPUT terminal 2 (PHONES) L, and the output voltage is measured.

Confirm that the output level is within the specified below.

SP OUT (LF)		
CN609-1 (OUT+_L)	:	
CN609-3 (OUT-_L)	:	+26.3 +3.0/-1.0 dBu

The signal of -24 dBu is input to INPUT terminal 2 (PHONES) R, and the output voltage is measured.

Confirm that the output level is within the specified below.

SP OUT (LF)		
CN609-1 (OUT+_L)	:	
CN609-3 (OUT-_L)	:	+26.3 +3.0/-1.0 dBu

- (3) Set the level control (INPUT3) LINK MODE switch to the ON position.

The signal of -24 dBu is input to INPUT terminal 3 (PINS) L, and the output voltage is measured.

Confirm that the output level is within the specified below.

SP OUT (HF)		
CN610-1 (OUT+_H)	:	
CN610-2 (OUT-_H)	:	-1.93 +3.0/-1.0 dBu

The signal of -24 dBu is input to INPUT terminal 3 (PINS) R, and the output voltage is measured.

Confirm that the output level is within the specified below.

LINK OUT	:	0.0 +3.0/-1.0 dBu
----------	---	-------------------

2-11. POFF-REQ 検出回路

ダイアグモードの POFF-REQ 検査を実行します。

POWER LED が点灯してから、消灯します。

電源がシャットダウンすることを確認します。

2-12. 利得

- (1) LEVEL コントロール (INPUT1) を最大に設定します。

入力端子 1 (XLR) に -10 dBu の信号を入力し、出力電圧を測定します。

出力レベルが下記の規定範囲内にあることを確認します。

THRU	:	-10.0 ± 2.0 dBu
SP OUT (LF)		
CN609-1 (OUT+_L)	:	
CN609-3 (OUT-_L)	:	+26.3 +3.0/-1.0 dBu
SP OUT (HF)		
CN610-1 (OUT+_H)	:	
CN610-2 (OUT-_H)	:	-1.93 +3.0/-1.0 dBu

LINK OUT : 0.0 +3.0/-1.0 dBu

- (2) LEVEL コントロール (INPUT2) を最大に設定します。

Rch の PHONES 端子にダミープラグを挿入します。

入力端子 2 (PHONES) L に -24 dBu の信号を入力し、出力電圧を測定します。

出力レベルが下記の規定範囲内にあることを確認します。

SP OUT (LF)		
CN609-1 (OUT+_L)	:	
CN609-3 (OUT-_L)	:	+26.3 +3.0/-1.0 dBu

入力端子 2 (PHONES) R に -24 dBu の信号を入力し、出力電圧を測定します。

出力レベルが下記の規定範囲内にあることを確認します。

SP OUT (LF)		
CN609-1 (OUT+_L)	:	
CN609-3 (OUT-_L)	:	+26.3 +3.0/-1.0 dBu

- (3) LEVEL コントロール (INPUT3) LINK MODE スイッチを ON に設定します。

入力端子 3 (PINS) L に -24 dBu の信号を入力し、出力電圧を測定します。

出力レベルが下記の規定範囲内にあることを確認します。

SP OUT (HF)		
CN610-1 (OUT+_H)	:	
CN610-2 (OUT-_H)	:	-1.93 +3.0/-1.0 dBu

入力端子 3 (PINS) R に -24 dBu の信号を入力し、出力電圧を測定します。

出力レベルが下記の規定範囲内にあることを確認します。

LINK OUT	:	0.0 +3.0/-1.0 dBu
----------	---	-------------------

2-13. Frequency Response

- (1) Set the level control (INPUT1) to the maximum position.

The signal of -10 dBu is input to INPUT terminal 1 (XLR), and the output voltage is measured.

Measurements are recorded.

SP OUT (LF)

CN609-1 (OUT+_L) :
CN609-3 (OUT-_L) : (A1)

SP OUT (HF)

CN610-1 (OUT+_H) :
CN610-2 (OUT-_H) : (A2)

LINK OUT : (A3)

- (2) Set the level control (INPUT1) to the maximum position.

The sine wave of 20 Hz, -10 dBu is input to INPUT terminal 1 (XLR), and the output voltage is measured.

SP OUT (LF)

CN609-1 (OUT+_L), CN609-3 (OUT-_L) :
Confirm that the range of 0 ± 2 dB based on A1.

SP OUT (HF)

CN610-1 (OUT+_H), CN610-2 (OUT-_H) :
Confirm that the range of -1.5 ± 2 dB based on A2.

LINK OUT :

Confirm that the range of 0 ± 2 dB based on A3.

- (3) Set the level control (INPUT1) to the maximum position.

The sine wave of 20 kHz, -10 dBu is input to INPUT terminal 1 (XLR), and the output voltage is measured.

SP OUT (LF)

CN609-1 (OUT+_L), CN609-3 (OUT-_L) :
Confirm that the range of -1.2 ± 2 dB based on A1.

SP OUT (HF)

CN610-1 (OUT+_H), CN610-2 (OUT-_H) :
Confirm that the range of -1.5 ± 2 dB based on A2.

LINK OUT :

Confirm that the range of 0 ± 2 dB based on A3.

2-13. 周波数特性

- (1) LEVEL コントロール (INPUT1) を最大に設定します。

入力端子 1 (XLR) に -10 dBu の信号を入力し、出力電圧を測定します。

測定値を記録します。

SP OUT (LF)

CN609-1 (OUT+_L) :
CN609-3 (OUT-_L) : (A1)

SP OUT (HF)

CN610-1 (OUT+_H) :
CN610-2 (OUT-_H) : (A2)

LINK OUT : (A3)

- (2) LEVEL コントロール (INPUT1) を最大に設定します。

入力端子 1 (XLR) に 20 Hz, -10 dBu の正弦波を入力し、出力電圧を測定します。

SP OUT (LF)

CN609-1 (OUT+_L), CN609-3 (OUT-_L) :
A1 を基準に 0 ± 2 dB の範囲内であることを確認します。

SP OUT (HF)

CN610-1 (OUT+_H), CN610-2 (OUT-_H) :
A2 を基準に -1.5 ± 2 dB の範囲内であることを確認します。

LINK OUT :

A3 を基準に 0 ± 2 dB の範囲内であることを確認します。

- (3) LEVEL コントロール (INPUT1) を最大に設定します。

入力端子 1 (XLR) に 20 kHz, -10 dBu の正弦波を入力し、出力電圧を測定します。

SP OUT (LF)

CN609-1 (OUT+_L), CN609-3 (OUT-_L) :
A1 を基準に -1.2 ± 2 dB の範囲内であることを確認します。

SP OUT (HF)

CN610-1 (OUT+_H), CN610-2 (OUT-_H) :
A2 を基準に -1.5 ± 2 dB の範囲内であることを確認します。

LINK OUT :

A3 を基準に 0 ± 2 dB の範囲内であることを確認します。

2-14. Total Harmonic Distortion

- (1) Set the level control (INPUT1) to the maximum position.

When the signal is input to the INPUT terminal 1 (XLR).

The following outputs are obtained, total harmonic distortion is measured.

SP OUT (LF)

CN609-1 (OUT+_L), CN609-3 (OUT-_L)
+11.24±0.5 dBu : THD+N=0.5 % or less.

SP OUT (HF)

CN610-1 (OUT+_H), CN610-2 (OUT-_H)
-7.99±0.5 dBu : THD+N=0.2 % or less.

- (2) Set the level control (INPUT1) to the maximum position, and the MIC/LINE switch to the MIC position.

When the signal is input to the INPUT terminal 1 (XLR).

The following outputs are obtained, total harmonic distortion is measured.

SP OUT (LF)

CN609-1 (OUT+_L), CN609-3 (OUT-_L)
+11.24±0.5 dBu : THD+N=0.5 % or less.

SP OUT (HF)

CN610-1 (OUT+_H), CN610-2 (OUT-_H)
-7.99±0.5 dBu : THD+N=0.2 % or less.

* Measure each output individually.

2-15. Maximum Output

- (1) When the signal of 100 Hz is input to the INPUT terminal 1 (XLR).

The following outputs are obtained, total harmonic distortion is measured.

SP OUT (LF)

CN609-1 (OUT+_L) +38.24 dBu +0.2 dBu
: THD+N=1 % or less.

CN609-3 (OUT-_L) +38.24 dBu -0 dBu
: THD+N=1 % or less.

- (2) When the signal of 5 kHz is input to the INPUT terminal 1 (XLR).

The following outputs are obtained, total harmonic distortion is measured.

SP OUT (HF)

CN610-1 (OUT+_H) +11.62 dBu +0.2 dBu
: THD+N=1 % or less.

CN610-2 (OUT-_H) +11.62 dBu -0 dBu
: THD+N=1 % or less.

* Measure this inspection within 5 seconds.

* Measure each output individually.

2-14. 全高調波歪率測定

- (1) LEVEL コントロール (INPUT1) を最大に設定します。

入力端子 1 (XLR) に信号を入力します。

以下の出力を得た時、全高調波歪率を測定します。

SP OUT (LF)

CN609-1 (OUT+_L)、CN609-3 (OUT+_L)
+11.24 ± 0.5 dBu : THD+N=0.5 %以下

SP OUT (HF)

CN610-1 (OUT+_H)、CN610-2 (OUT-_H)
-7.99 ± 0.5 dBu : THD+N=0.2 %以下

- (2) LEVEL コントロール (INPUT1) を最大、MIC/LINE スイッチを MIC に設定します。

入力端子 1 (XLR) に信号を入力します。

以下の出力を得た時、全高調波歪率を測定します。

SP OUT (LF)

CN609-1 (OUT+_L)、CN609-3 (OUT+_L)
+11.24 ± 0.5 dBu : THD+N=0.5 %以下

SP OUT (HF)

CN610-1 (OUT+_H)、CN610-2 (OUT-_H)
-7.99 ± 0.5 dBu : THD+N=0.2 %以下

※各出力を個別に測定してください。

2-15. 最大出力

- (1) 入力端子 1 (XLR) に 100 Hz の信号を入力します。

以下の出力を得た時、全高調波歪率を測定します。

SP OUT (LF)

CN609-1 (OUT+_L) +38.24 dBu +0.2 dBu
: THD+N=1 %以下

CN609-3 (OUT-_L) +38.24 dBu -0 dBu
: THD+N=1 %以下

- (2) 入力端子 1 (XLR) に 5 kHz の信号を入力します。

以下の出力を得た時、全高調波歪率を測定します。

SP OUT (HF)

CN610-1 (OUT+_H) +11.62 dBu +0.2 dBu
: THD+N=1 %以下

CN610-2 (OUT-_H) +11.62 dBu -0 dBu
: THD+N=1 %以下

※この検査は 5 秒以内に測定してください。

※各出力を個別に測定してください。

2-16. Confirming the Excessive Output

Set the level control (INPUT1) to the maximum position.

When the signal of 50 Hz 10 cycle +10 dBu is input to the INPUT terminal 1 (XLR).

Afterwards, the signal of -10 dBu is input to INPUT terminal 1 (XLR), and the output voltage is measured.

Confirm that the following output voltages should be able to be measured without the power supply shutting down.

SP OUT (LF)

CN609-1 (OUT+_L)	:	+26.3 +3.0/-1.0 dBu
CN609-3 (OUT-_L)	:	

* After clause 2-15 is inspected, it is necessary to inspect clause 2-16.

* Clause 2-16 apply only to SP OUT (LF). In the inspection of clause 2-16, connect the resistance (8 Ω) load only with CN609.

2-16. 過大出力の確認

LEVEL コントロール (INPUT1) を最大に設定します。

入力端子 1 (XLR) に 50 Hz 10 cycle +10 dBu の信号を入力します。

その後、入力端子 1 (XLR) に -10 dBu の信号を入力し、出力電圧を測定します。

電源がシャットダウンせず、以下の出力電圧が得られることを確認します。

SP OUT (LF)

CN609-1 (OUT+_L)	:	+26.3 +3.0/-1.0 dBu
CN609-3 (OUT-_L)	:	

※ 2-16 項の検査は、必ず 2-15 項（最大出力検査）後に行ってください。

※ 2-16 項の検査は、SP OUT (LF) にのみ適応します。2-16 項の検査は、抵抗負荷 (8 Ω) を CN609 のみ接続して行ってください。

2-17. Output noise level

(1) Perform measurement with no signal input.

Set the level control (INPUT1) to the maximum position.

INPUT terminal 1 (XLR) is grounded through the resistor of 150 Ω, the noise level generated in the output terminal is measured.

Confirm that the output noise level is within the specified below.

SP OUT (LF)

CN609-1 (OUT+_L)	:	-56 dBu or less
CN609-3 (OUT-_L)	:	

SP OUT (HF)

CN610-1 (OUT+_H)	:	-84 dBu or less
CN610-2 (OUT-_H)	:	

(2) Perform measurement with no signal input.

Set the level control (INPUT1) to the maximum position, and the MIC/LINE switch to the MIC position.

INPUT terminal 1 (XLR) is grounded through the resistor of 150 Ω, the noise level generated in the output terminal is measured.

Confirm that the output noise level is within the specified below.

SP OUT (LF)

CN609-1 (OUT+_L)	:	-35 dBu or less
CN609-3 (OUT-_L)	:	

SP OUT (HF)

CN610-1 (OUT+_H)	:	-64 dBu or less
CN610-2 (OUT-_H)	:	

2-17. 出力ノイズレベル

(1) 測定は入力無信号の状態で行います。

LEVEL コントロール (INPUT 1) を最大に設定します。

入力端子 1 (XLR) を 150 Ω の抵抗を介して接地し、出力端子に発生するノイズレベルを測定します。

出力ノイズレベルが下記の規定範囲内にあることを確認します。

SP OUT (LF)

CN609-1 (OUT+_L)	:	-56 dBu 以下
CN609-3 (OUT-_L)	:	

SP OUT (HF)

CN610-1 (OUT+_H)	:	-84 dBu 以下
CN610-2 (OUT-_H)	:	

(2) 測定は入力無信号の状態で行います。

LEVEL コントロール (INPUT1) を最大、MIC/LINE スイッチを MIC に設定します。

入力端子 1 (XLR) を 150 Ω の抵抗を介して接地し、出力端子に発生するノイズレベルを測定します。

出力ノイズレベルが下記の規定範囲内にあることを確認します。

SP OUT (LF)

CN609-1 (OUT+_L)	:	-35 dBu 以下
CN609-3 (OUT-_L)	:	

SP OUT (HF)

CN610-1 (OUT+_H)	:	-64 dBu 以下
CN610-2 (OUT-_H)	:	

2-18. Residual noise level

Perform measurement with no signal input.

The noise level generated in the output terminal is measured.

Confirm that the output noise level is within the specified below.

SP OUT (LF)		
CN609-1 (OUT+_L)	:	-56 dBu or less
CN609-3 (OUT-_L)	:	
SP OUT (HF)		
CN610-1 (OUT+_H)	:	-84 dBu or less
CN610-2 (OUT-_H)	:	

2-19. Analog mute inspection

Execute A-MUTE inspection of diagnostic mode.

Set the level control (INPUT1) to the maximum position.

The signal of -10 dBu is input to INPUT terminal 1 (XLR).

A-MUTE is operated, and the output voltage is measured.

Confirm that the output level is within the specified below.

SP OUT (LF)		
CN609-1 (OUT+_L)	:	-10 dBu or less
CN609-3 (OUT-_L)	:	
SP OUT (HF)		
CN610-1 (OUT+_H)	:	-29.2 dBu or less
CN610-2 (OUT-_H)	:	

2-20. Confirming the operation in AC 230 V

The AC power-supply voltage is adjusted to $230\text{ V} \pm 10\%$.

When the sine wave of 100 Hz is input to INPUT terminal 1 (XLR).

The following outputs are obtained, power consumption is measured.

SP OUT (LF)		
CN609-1 (OUT+_L)	$29.2 \pm 0.1\text{ dBu}$:
CN609-3 (OUT-_L)	$(62.5 \pm 1.5\text{ W}/8\ \Omega)$: $124\text{ W} \pm 10\text{ W}$

2-18. 残留ノイズレベル

測定は入力無信号の状態で行います。

出力端子に発生するノイズレベルを測定します。

出力ノイズレベルが下記の規定範囲内にあることを確認します。

SP OUT (LF)		
CN609-1 (OUT+_L)	:	-56 dBu 以下
CN609-3 (OUT-_L)	:	
SP OUT (HF)		
CN610-1 (OUT+_H)	:	-84 dBu 以下
CN610-2 (OUT-_H)	:	

2-19. アナログ MUTE 検査

ダイアグモードの A-MUTE 検査を実行します。

LEVEL コントロール (INPUT1) を最大に設定します。

入力端子 1 (XLR) に -10 dBu の信号を入力します。

A-MUTE を ON した時の出力電圧を測定します。

出力レベルが下記の規定範囲内にあることを確認します。

SP OUT (LF)		
CN609-1 (OUT+_L)	:	-10 dBu 以下
CN609-3 (OUT-_L)	:	
SP OUT (HF)		
CN610-1 (OUT+_H)	:	-29.2 dBu 以下
CN610-2 (OUT-_H)	:	

2-20. AC 230 V の動作確認

AC 電源電圧を $230\text{ V} \pm 10\%$ にします。

入力端子 1 (XLR) に 100 Hz の正弦波を入力します。

以下の出力を得たとき、消費電力を測定します。

SP OUT (LF)		
CN609-1 (OUT+_L)	$29.2 \pm 0.1\text{ dBu}$:
CN609-3 (OUT-_L)	$(62.5 \pm 1.5\text{ W}/8\ \Omega)$: $124\text{ W} \pm 10\text{ W}$

■ UPDATING (アップデート)

This firmware updating procedure is applied to DXR8, DXR10, DXR12 and DXR15.

1. Required Tools

- PC; Windows XP with COM1 (RS-232C) port x 1
- Serial Communication Jig (WP327800) x 1
- DSR-CS Wiring Assembly (WW332900) x 1
- RS-232C Cross Cable x 1

2. Preparation

Download the latest version of application software for updating and firmware from the YSISS homepage and copy them to C drive of personal computer as shown below.

(URL >> <http://plaza.yamaha.co.jp/ysiss/exindex.nsf>)

- Application software for updating
C:¥DXR¥tools¥Updater¥FlashSta(for DXR).exe
- Firmware
C:¥DXR¥Firmware¥DXR.mot
C:¥DXR¥Firmware¥DXR.id

3. Connection

Perform connection as shown in the figure below.

このファームウェアアップデート手順は、DXR8、DXR10、DXR12、DXR15に適用されます。

1. 必要なもの

- COM1 (RS-232C) ポートを搭載した Windows XP パソコン×1
- シリアルコミュニケーション治具 (WP327800) ×1
- DSR-CS 束線 (WW332900) ×1
- RS232C クロスケーブル×1

2. 準備

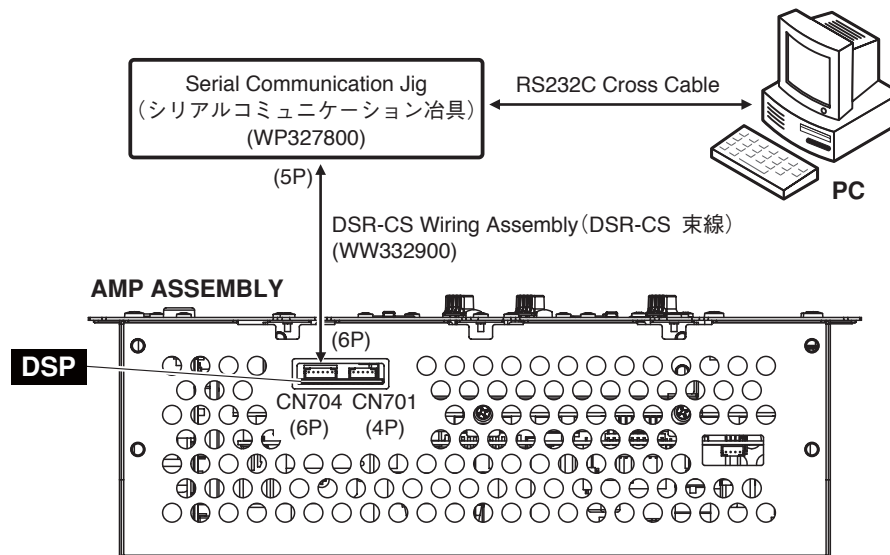
YSISS ホームページからアップデート用アプリケーションソフトウェアとファームウェアの最新版をダウンロードし、パソコンのCドライブに下記のようにコピーします。

(URL >> <http://plaza.yamaha.co.jp/ysiss/exindex.nsf>)

- アップデート用アプリケーションソフトウェア
C:¥DXR ¥tools ¥Updater ¥FlashSta(for DXR).exe
- ファームウェア
C:¥DXR ¥Firmware ¥DXR.mot
C:¥DXR ¥Firmware ¥DXR.id

3. 接続

下図のように接続します。

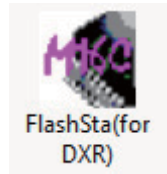


4. Operation procedures

- 4-1. Short circuit between pin 3 (CPU-MODE) and pin 1 (GND) of connector CN701 on the DSP circuit board, and turn on the power switch. The firmware update mode is activated.
 * All indicators on the rear panel do not light at this moment.
- 4-2. Execute “FlashSta (for DXR).exe.”
 * If error message is displayed, see “5. Error message” on page 58.

4. 操作方法

- 4-1. DSPシートのコネクタ CN701 の 3 ピン (CPU-MODE) と 1 ピン (GND) をショートし、アンプ Ass'y の電源をオンすると、ファームウェアアップデートモードが起動します。
 ※ このときリアパネルの全てのインジケータは点灯しません。
- 4-2. FlashSta (for DXR) .exe を起動します。
 ※ エラーメッセージが表示されたときは、「5. エラーメッセージ」(58 ページ) を参照してください。



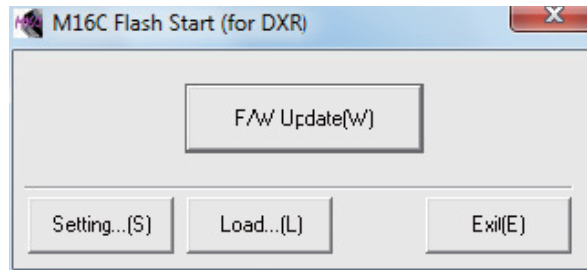
FlashSta(for DXR).exe

- 4-3. Make sure that the baud rate is set to “115200”.

- 4-3. Baud rate が “115200” に設定されていることを確認します。

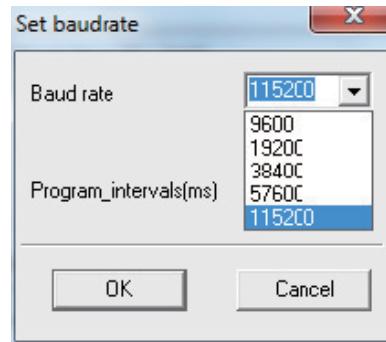
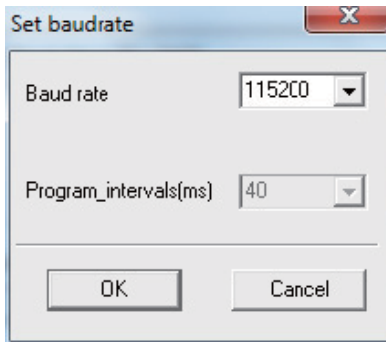
(1) Click “Setting...[S]” button.

(1) 「Setting... [S]」 ボタンをクリックします。



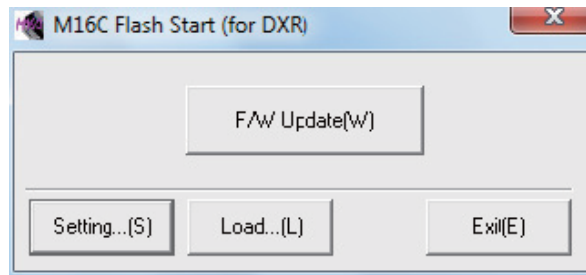
(2) If “115200” is already selected, click “Cancel” button. If other than “115200” is selected, select “115200” and click “OK” button.

(2) Baud rate が既に “115200” に設定されているときは「Cancel」ボタンをクリックします。Baud rate が “115200” 以外に設定されているときは “115200” を選択して「OK」ボタンをクリックします。



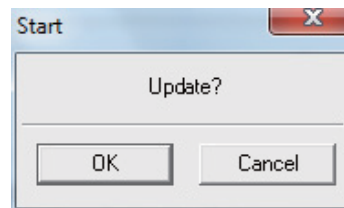
4-4. Click “F/W Update(W)”button.

4-4. 「F/W Update (W)」 ボタンをクリックします。

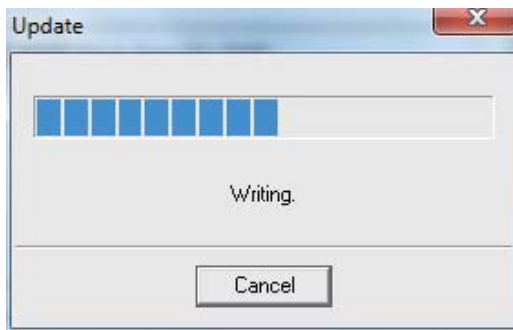


4-5. Click “OK” button to start updating.

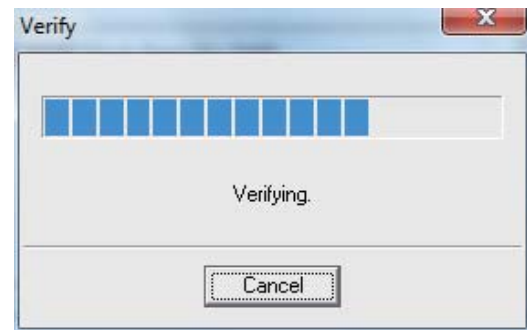
4-5. 「OK」 ボタンをクリックしてアップデートを開始します。



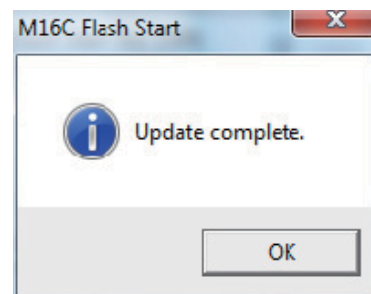
In process of writing (書き込み中)



In process of verifying writing (書き込みチェック中)



Writing is completed (書き込み完了)



4-6. Click “OK”button.
The application ends automatically.

4-6. 「OK」 ボタンをクリックすると、アプリケーションを自動的に終了します。

- 4-7. Turn off the power switch of AMP UNIT.
 * When error occurs while writing or writing does not complete although long time has passed, perform the updating procedure again from the beginning.

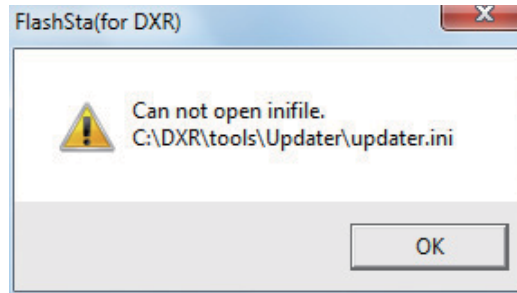
- 4-7. AMP UNIT の Power スイッチをオフします。
 ※ 書き込み中にエラーが発生したり、長時間待っても書き込みが完了しないときは、ファームウェアアップデートを最初からやり直してください。

5. Error message

If the following messages are displayed after executing FlashSta(for DXR).exe, error might have occurred.

5. エラーメッセージ

FlashSta (for DXR) .exe を起動後に以下のメッセージが表示される場合は、エラー発生が考えられます。



Problem:

“Update.ini” does not exist in C:\DXR\tools\Updater\.

Countermeasure:

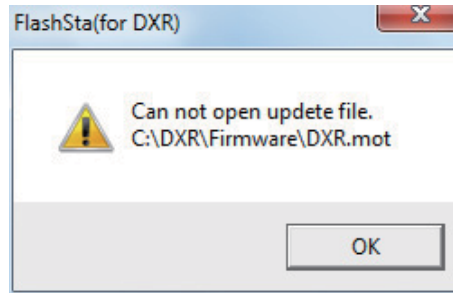
Store “Update.ini” in C:\DXR\tools\Updater\, and restart application.

問題:

C:\DXR\tools\Updater\ に Update.ini が存在しない。

対策:

C:\DXR\tools\Updater\ に Update.ini を格納した後、アプリケーションを再起動します。



Problem:

“DXR.mot” (Update file) does not exist in file path specified in Update.ini file.

Countermeasure:

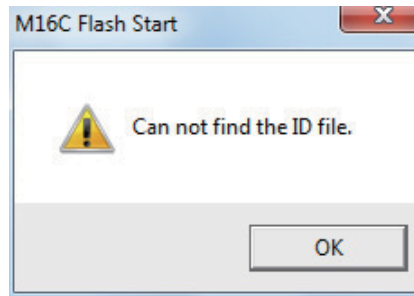
Input paths specified in Update.ini file correctly, and restart application.

問題:

Update.ini ファイル内で指定されたファイルパスに DXR.mot (アップデートファイル) が存在しない。

対策:

Update.ini ファイル内で指定されたファイルパスを正しく入力した後、アプリケーションを再起動します。

**Problem:**

“DXR.id” (ID file) does not exist in file path specified in Update.ini file.

Countermeasure:

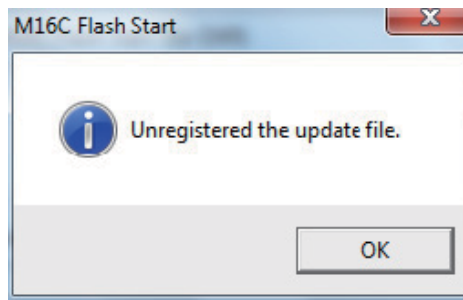
Store “DXR.id” (ID file) in path specified in Update.ini file.

問題：

Update.ini ファイル内で指定されたファイルパスに DXR.id (ID ファイル) が存在しない。

対策：

Update.ini ファイル内で指定されたファイルパスに DXR.id (ID ファイル) を格納します。

**Problem:**

“DXR.mot” (Update file) and “DXR.id” (ID file) are not registered when starting update.

Countermeasure:

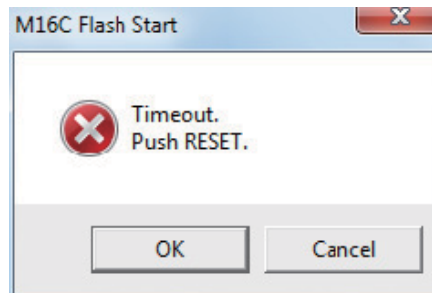
Set Update.ini file correctly or select Update file again.

問題：

アップデート開始時に DXR.mot (アップデートファイル) および DXR.id (ID ファイル) が登録されていない。

対策：

Update.ini ファイルを正しく設定するか、アップデートファイルを再選択します。

**Problem:**

Failed to connect to target.

Countermeasure:

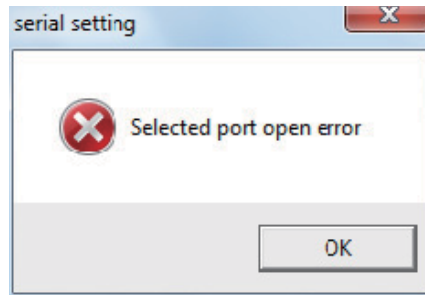
Check the power and connection of the target again.

問題：

ターゲットとの接続に失敗した。

対策：

ターゲットの電源、接続などを再度確認します。



Problem:

Assigned COM port does not exist, or it can not opened because in use by other application (e.g. inspection application).

Countermeasure:

Check that COM port assigned in Update.ini file can open properly.

If COM port assigned in Update.ini file does not exist on PC, change to a correct port.

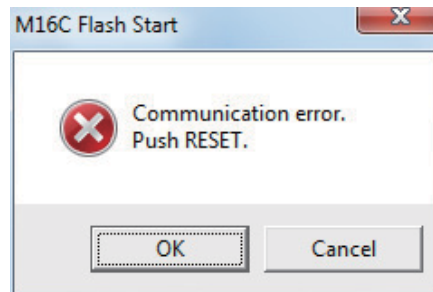
問題：

指定された COM ポートが存在しない、または他のアプリ（例えば検査アプリケーション）で使用中のため開けない。

対策：

ファイル内で指定された COM ポートが正常に開けることを確認します。

Update.ini ファイル内で指定された COM ポートが PC 上に存在しない場合は正しいポートに変更します。



Problem:

The target is not firmware update mode.

Countermeasure:

Check that the target is started in firmware update mode.

問題：

ターゲットがファームウェアアップデートモードではない。

対策：

ターゲットがファームウェアアップデートモードで起動されていることを確認します。

POWERED SPEAKER

DXR Series

DXR8 DXR10 DXR12 DXR15

PARTS LIST

■ CONTENTS (目次)


OVERALL ASSEMBLY (総組立)	
DXR8/DXR10	2
DXR12/DXR15	4
CABINET ASSEMBLY (キャビネット Ass'y)	
DXR8/DXR10	6
DXR12/DXR15	8
BAFFLE ASSEMBLY (バッフル Ass'y)	10
METAL GRILLE ASSEMBLY (メタルグリル Ass'y)	11
AMP ASSEMBLY (アンプ Ass'y)	12
TWAMP ASSEMBLY (TWAMP Ass'y)	16
JIGS (治具)	17
ELECTRICAL PARTS (電気部品)	18 - 36

Notes : DESTINATION ABBREVIATIONS

A : Australian model	M : South African model
B : British model	O : Chinese model
C : Canadian model	P : Brazilian model
D : German model	Q : South-east Asia model
E : European model	T : Taiwan model
F : French model	U : U.S.A. model
H : North European model	V : General export model (110V)
I : Indonesian model	W : General export model (220V)
J : Japanese model	N,X: General export model
K : Korean model	Y : Export model

■ WARNING

Components having special characteristics are marked  and must be replaced with parts having specification equal to those originally installed.

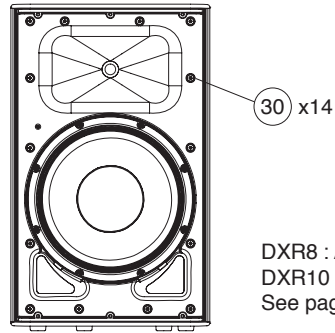
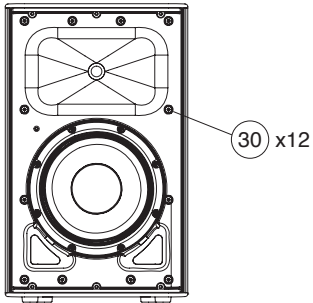
 印の部品は、安全を維持するために重要な部品です。交換する場合は、安全のために必ず指定の部品をご使用ください。

- The numbers "QTY" show quantities for each unit.
- The parts with "--" in "PART NO." are not available as spare parts.
- This mark "}" in the REMARKS column means these parts are interchangeable.
- The second letter of the shaded (■) part number is O, not zero.
- The second letter of the shaded (■) part number is I, not one.
- 部品価格ランクは、変更になることがあります。
- QTY 欄に記載されている数字は、各ユニット当たりの使用個数です。
- PART NO. が "--" の部品は、サービス用部品として準備されておりません。
- REMARKS 欄の「}」マークの部品は、併用部品です。
- 網掛けの付いた PART NO. の 2 番目の文字は「ゼロ」ではなく、「オー」です。
- 網掛けの付いた PART NO. の 2 番目の文字は「イチ」ではなく、「アイ」です。

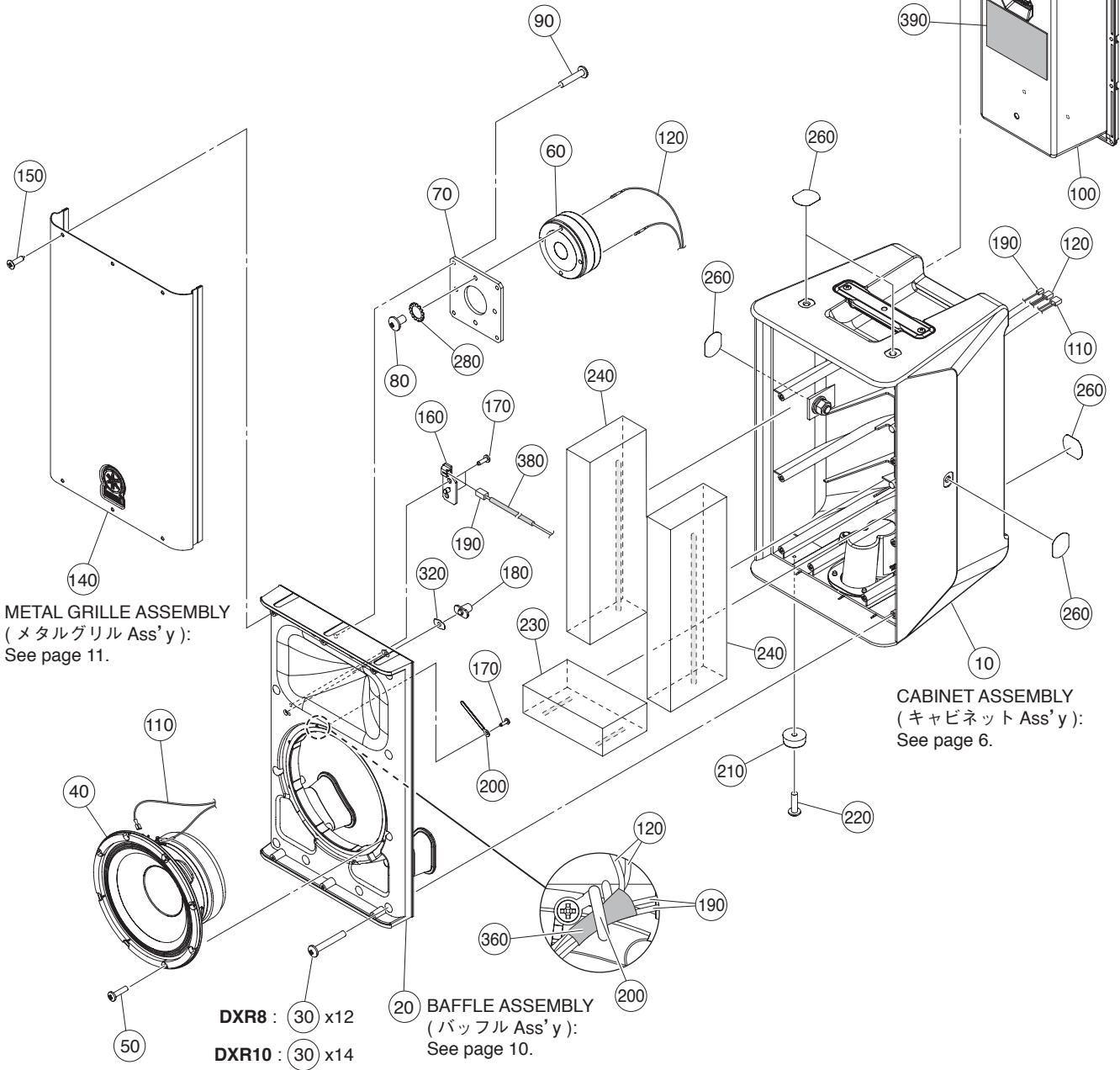
OVERALL ASSEMBLY (総組立) <DXR8/DXR10>

● DXR8

● DXR10



DXR8 : AMP ASSEMBLY 8 (アンプ Ass'y 8) :
 DXR10 : AMP ASSEMBLY 10 (アンプ Ass'y 10) :
 See page 12.



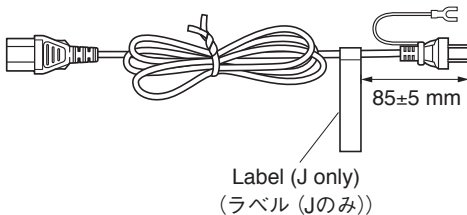
* This figure shows the DXR8.
 (この図はDXR8です。)

REF NO.	PART NO.	DESCRIPTION		部 品 名	REMARKS	QTY	RANK
	--	OVERALL ASSEMBLY		総 組 立	DXR8/DXR10		
	--	OVERALL ASSEMBLY		総 組 立	DXR8 (WY82580)		
	--	OVERALL ASSEMBLY		総 組 立	DXR10 (WY82570)		
10	--	CABINET ASSEMBLY		キャビネット A s s ' y	DXR8 (WY84210)		
10	--	CABINET ASSEMBLY		キャビネット A s s ' y	DXR10 (WY84200)		
*	20	WY843600	BAFFLE ASSEMBLY	バッフル A s s ' y	DXR8		
*	20	WY843500	BAFFLE ASSEMBLY	バッフル A s s ' y	DXR10		
*	30	WZ758000	BINDING HEAD TAPPING SCREW (TYPE-2) 5.0X30 MFZN2B3	タッピンネジ 2種溝付き	DXR8	12	
*	30	WZ758000	BINDING HEAD TAPPING SCREW (TYPE-2) 5.0X30 MFZN2B3	タッピンネジ 2種溝付き	DXR10	14	
*	40	YD656C00	LOUD SPEAKER 20.3cm 8ohm	スピーカ	DXR8 WOOFER		
*	40	YD655B00	LOUD SPEAKER 25.4cm 8ohm	スピーカ	DXR10 WOOFER		
	50	WE980801	BIND HEAD TAPPING SCREW-P 4.0X16 MFZN2B3	P タイト + B I N D		20	01
*	60	YD659A00	LOUD SPEAKER 3.5cm 8ohm 20W	スピーカ	TWEETER		
	70	--	TW PLATE	T W プ レ ー ト	(WY72680)		
*	80	WG963600	BIND HEAD SCREW 6.0X10 MFZN2W3	小ネジ + B I N D		4	
*	90	ZC624900	BINDING HEAD TAPPING SCREW (TYPE-2) 5.0X25 MFZN2B3	タッピンネジ 2種溝付き		4	
*	100	WW985600	AMP ASSEMBLY 8	アンプ A s s ' y 8	DXR8		
*	100	WW985800	AMP ASSEMBLY 10	アンプ A s s ' y 10	DXR10		
	110	--	CONNECTOR ASSEMBLY LFSPOUT 2P	L F S P O U T 束 線	(WW75530)		
	120	--	CONNECTOR ASSEMBLY HFSPOUT 2P	H F S P O U T 束 線	(WW75460)		
*	140	WY845900	METAL GRILLE ASSEMBLY	メタルグリル A s s ' y	DXR8		
*	140	WY845800	METAL GRILLE ASSEMBLY	メタルグリル A s s ' y	DXR10		
*	150	WY783100	+LAMIMATE SCREW 4.0X16 LAMIMATE	特注ネジ+ラミメイト		6	
*	160	WY287700	CIRCUIT BOARD LED(H)	L E D シ ー ト (H)			
*	170	WF268000	BIND HEAD TAPPING SCREW-P 3.0X10 MFZN2B3	P タイト + B I N D		3	01
*	180	WY539700	LED LENS	L E D レ ン ズ			
	190	--	CONNECTOR ASSEMBLY C&C 2P	C & C 束 線	(WW76530)		
	200	--	CORD CLAMP	束 線 止 め	(ZA88920)		
*	210	WW832400	RUBBER FOOT	ゴム ア シ		4	
*	220	WY816400	BIND HEAD TAPPING SCREW-P 5.0X18 MFZN2B3	P タイト + B I N D		4	
	230	--	SOUND ABSORBER	吸 音 材	(WY95180)		
	240	--	SOUND ABSORBER	吸 音 材	(ZA35610)	2	
*	260	WY778600	M12 BOLT CAP	M 1 2 ボルトキャップ		5	
	280	WG484800	WASHER O. TOOTH 6.0 MFZN2W3	歯 付 座 金 外 歯		4	01
	320	--	CUSHION LED LENS	クッション L E D レ ン ズ	(WZ97000)		
	360	--	CUSHION	クッション	(ZC29520)		
	380	--	CUSHION	クッション	(ZC29540)		
	390	--	CUSHION	クッション	(ZC57290)		
		ACCESSORIES		付 属 品			
⚠	WV577000	AC CORD J VCTF 3X1.25	電 源 コ ー ド	J		11	
⚠	WC249500	AC CORD U 3P 10A	電 源 コ ー ド	U,T		05	
⚠	WC24960R	AC CORD E 3P 10A	電 源 コ ー ド	E,K		05	
⚠	WC24970R	AC CORD B H05VV-F 3X1.00	電 源 コ ー ド	B		06	
⚠	WD29640R	AC CORD CHN RVV 3X1.0	電 源 コ ー ド	O		06	
⚠	WU795000	AC CORD BRA 3P 2.5m 10A	電 源 コ ー ド	P		09	
	--	SERVICE PARTS KIT		サービspartsキット	DXR8 (ZA81370)		
	--	SERVICE PARTS KIT		サービspartsキット	DXR10 (ZA81360)		
*	10	ZA244500	CABINET ASSEMBLY S	キャビネット A s s ' y S	DXR8		
*	10	ZA244400	CABINET ASSEMBLY S	キャビネット A s s ' y S	DXR10		
	10a	--	CABINET ASSEMBLY	キャビネット A s s ' y	DXR8 (WY84210)		
	10a	--	CABINET ASSEMBLY	キャビネット A s s ' y	DXR10 (WY84200)		
	10b	--	SOUND ABSORBER	吸 音 材	(WY95180)		
	10c	--	SOUND ABSORBER	吸 音 材	(ZA35610)	2	
*	10d	WY778600	M12 BOLT CAP	M 1 2 ボルトキャップ		5	

*: New Parts

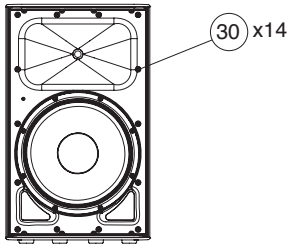
RANK: Japan only

・ AC Cord (J model)
(電源コード)

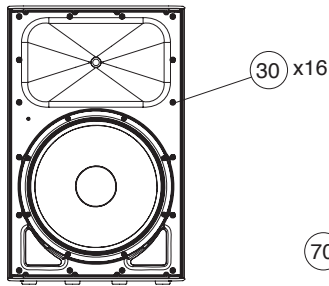


OVERALL ASSEMBLY (総組立) <DXR12/DXR15>

● DXR12



● DXR15

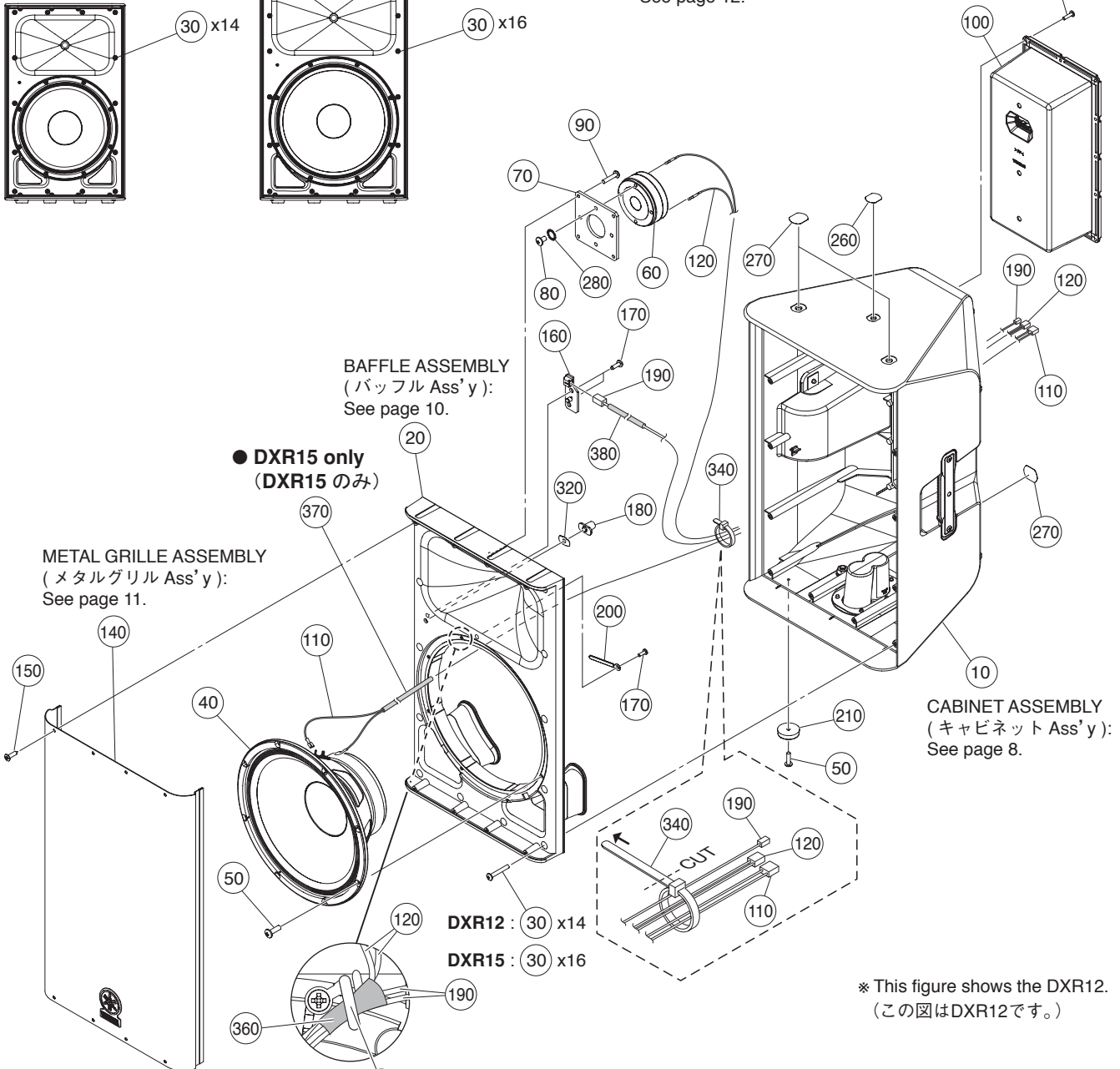


DXR12: AMP ASSEMBLY 12 (アンプ Ass'y 12): 130
 DXR15: AMP ASSEMBLY 15 (アンプ Ass'y 15): 130
 See page 12.

BAFFLE ASSEMBLY
 (バッフル Ass'y):
 See page 10.

● DXR15 only
 (DXR15のみ)

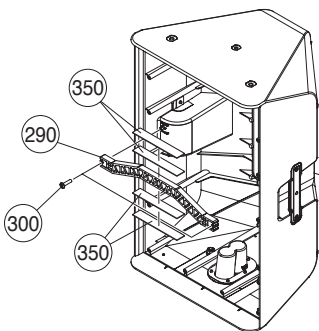
METAL GRILLE ASSEMBLY
 (メタルグリル Ass'y):
 See page 11.



CABINET ASSEMBLY
 (キャビネット Ass'y):
 See page 8.

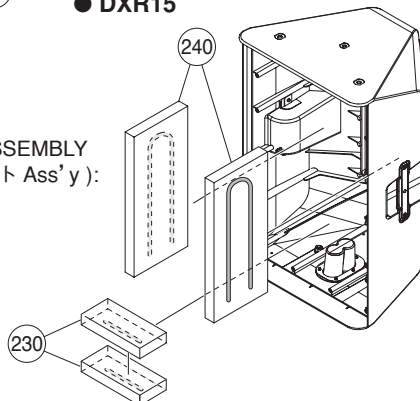
※ This figure shows the DXR12.
 (この図はDXR12です。)

● DXR15 only (DXR15のみ)

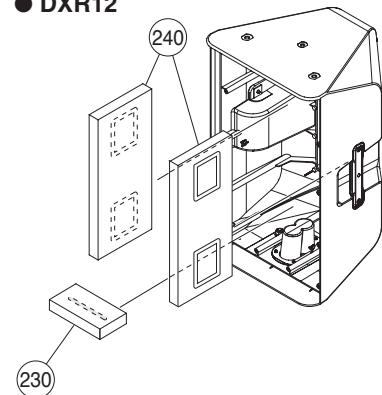


CABINET ASSEMBLY
 (キャビネット Ass'y):
 See page 8.

● DXR15



● DXR12



REF NO.	PART NO.	DESCRIPTION		部 品 名	REMARKS	QTY	RANK
	--	OVERALL ASSEMBLY		総 組 立	DXR12/DXR15		
	--	OVERALL ASSEMBLY		総 組 立	DXR12 (WY82560)		
	--	OVERALL ASSEMBLY		総 組 立	DXR15 (WY82550)		
10	--	CABINET ASSEMBLY		キャビネット A s s ' y	DXR12 (WY84190)		
10	--	CABINET ASSEMBLY		キャビネット A s s ' y	DXR15 (WY84180)		
* 20	WY843400	BAFFLE ASSEMBLY		バッフル A s s ' y	DXR12		
* 20	WY843300	BAFFLE ASSEMBLY		バッフル A s s ' y	DXR15		
* 30	WZ758000	BINDING HEAD TAPPING SCREW (TYPE-2)	5.0X30 MFZN2B3	タッピンネジ 2種溝付き	DXR12	14	
* 30	WZ758000	BINDING HEAD TAPPING SCREW (TYPE-2)	5.0X30 MFZN2B3	タッピンネジ 2種溝付き	DXR15	16	
* 40	YD654A00	LOUD SPEAKER	30.5cm 8ohm 250W	ス ピ ー カ	DXR12 WOOFER		
* 40	YD653A00	LOUD SPEAKER	38.1cm 8ohm 250W	ス ピ ー カ	DXR15 WOOFER		
* 50	WY816400	BIND HEAD TAPPING SCREW-P	5.0X18 MFZN2B3	P タ イ ト + B I N D		12	
* 60	YD659A00	LOUD SPEAKER	3.5cm 8ohm 20W	ス ピ ー カ	TWEETER		
* 70	--	TW PLATE		T W プ レ ー ト	(WY72680)		
* 80	WG963600	BIND HEAD SCREW	6.0X10 MFZN2W3	小 ネ ジ + B I N D		4	
* 90	ZC624900	BINDING HEAD TAPPING SCREW (TYPE-2)	5.0X25 MFZN2B3	タッピンネジ 2種溝付き		4	
* 100	WW985900	AMP ASSEMBLY 12		アンプ A s s ' y 1 2	DXR12		
* 100	WW986000	AMP ASSEMBLY 15		アンプ A s s ' y 1 5	DXR15		
* 110	--	CONNECTOR ASSEMBLY	LF SPOUT 2P	L F S P O U T 束 線	(WW75540)		
* 120	--	CONNECTOR ASSEMBLY	HF SPOUT 2P	H F S P O U T 束 線	(WW75500)		
* 130	WE980801	BIND HEAD TAPPING SCREW-P	4.0X16 MFZN2B3	P タ イ ト + B I N D		12	01
* 140	WY845700	METAL GRILLE ASSEMBLY		メタルグリル A s s ' y	DXR12		
* 140	WY845600	METAL GRILLE ASSEMBLY		メタルグリル A s s ' y	DXR15		
* 150	WY783100	+LAMIMATE SCREW	4.0X16 LAMIMATE	特注ネジ+ラミメイト		8	
* 160	WY287700	CIRCUIT BOARD	LED(H)	L E D シ ー ト (H)			
* 170	WF268000	BIND HEAD TAPPING SCREW-P	3.0X10 MFZN2B3	P タ イ ト + B I N D		3	01
* 180	WY539700	LED LENS		L E D レ ン ズ			
* 190	--	CONNECTOR ASSEMBLY	C&C 2P	C & C 束 線	(WW76530)		
* 200	--	CORD CLAMP		束 線 止 め	(ZA88920)		
* 210	WY539500	RUBBER FOOT		ゴ ム ア シ		4	
* 230	--	SOUND ABSORBER		吸 音 材	DXR12 (ZA35590)		
* 230	--	SOUND ABSORBER		吸 音 材	DXR15 (WW78500)	2	
* 240	--	SOUND ABSORBER		吸 音 材	(ZA35600)	2	
* 260	WY778600	M12 BOLT CAP		M 1 2 ボルトキャップ			
* 270	WY778700	M16 BOLT CAP		M 1 6 ボルトキャップ		3	
* 280	WG484800	WASHER O. TOOTH	6.0 MFZN2W3	歯 付 座 金 外 歯		4	01
* 290	--	INNER STAY		イ ン ナ ー ス テ イ	DXR15 (WZ69850)		
* 300	WE981101	BIND HEAD TAPPING SCREW-P	4.0X12 MFZN2B3	P タ イ ト + B I N D	DXR15	2	01
* 320	--	CUSHION LED LENS		クッションLEDレンズ	(WZ97000)		
* 340	WB408000	BINDING TIE	GT-100M HUA WEI	イ ン シ ュ ロ ッ ク タイ			
* 350	--	CUSHION		ク ッ シ ョ ン	DXR15 (ZC04050)	4	
* 360	--	CUSHION		ク ッ シ ョ ン	(ZC29520)		
* 370	--	CUSHION		ク ッ シ ョ ン	DXR15 (ZC29530)		
* 380	--	CUSHION		ク ッ シ ョ ン	(ZC29540)		
		ACCESSORIES		付 属 品			
	WV577000	AC CORD	J VCTF 3X1.25	電 源 コ ー ド	J		11
	WC249500	AC CORD	U 3P 10A	電 源 コ ー ド	U,T		05
	WC24960R	AC CORD	E 3P 10A	電 源 コ ー ド	E,K		05
	WC24970R	AC CORD	B H05VV-F 3X1.00	電 源 コ ー ド	B		06
	WD29640R	AC CORD	CHN RVV 3X1.0	電 源 コ ー ド	O		06
	WU795000	AC CORD	BRA 3P 2.5m 10A	電 源 コ ー ド	P		09
	--	SERVICE PARTS KIT		サービスパーツキット	DXR12 (ZA81350)		
	--	SERVICE PARTS KIT		サービスパーツキット	DXR15 (ZA81340)		
* 10	ZA244300	CABINET ASSEMBLY S		キャビネット A s s ' y S	DXR12		
* 10	ZA244200	CABINET ASSEMBLY S		キャビネット A s s ' y S	DXR15		
10a	--	CABINET ASSEMBLY		キャビネット A s s ' y	DXR12 (WY84190)		
10a	--	CABINET ASSEMBLY		キャビネット A s s ' y	DXR15 (WY84180)		
10b	--	SOUND ABSORBER		吸 音 材	DXR12 (ZA35590)		
10b	--	SOUND ABSORBER		吸 音 材	DXR15 (WW78500)	2	
10c	--	SOUND ABSORBER		吸 音 材	(ZA35600)	2	
10d	WY778600	M12 BOLT CAP		M 1 2 ボルトキャップ			
10e	WY778700	M16 BOLT CAP		M 1 6 ボルトキャップ		3	
10f	--	INNER STAY		イ ン ナ ー ス テ イ	DXR15 (WZ69850)		
10g	WE981101	BIND HEAD TAPPING SCREW-P	4.0X12 MFZN2B3	P タ イ ト + B I N D	DXR15	2	01
10h	--	CUSHION		ク ッ シ ョ ン	DXR15 (ZC04050)	4	

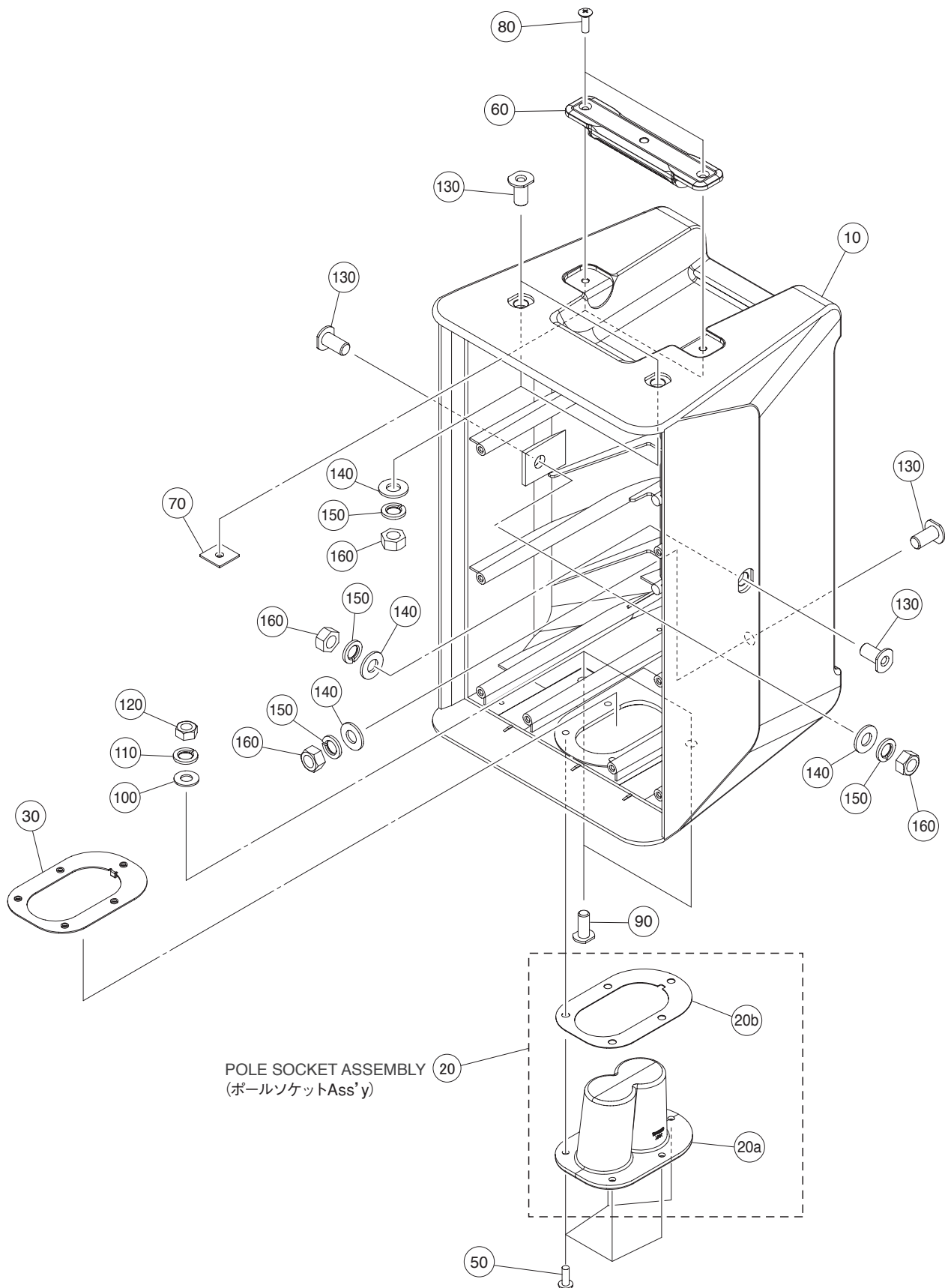
*: New Parts

RANK: Japan only

• AC Cord (J model)
(電源コード)



■ CABINET ASSEMBLY (キャビネット Ass'y) <DXR8/DXR10>



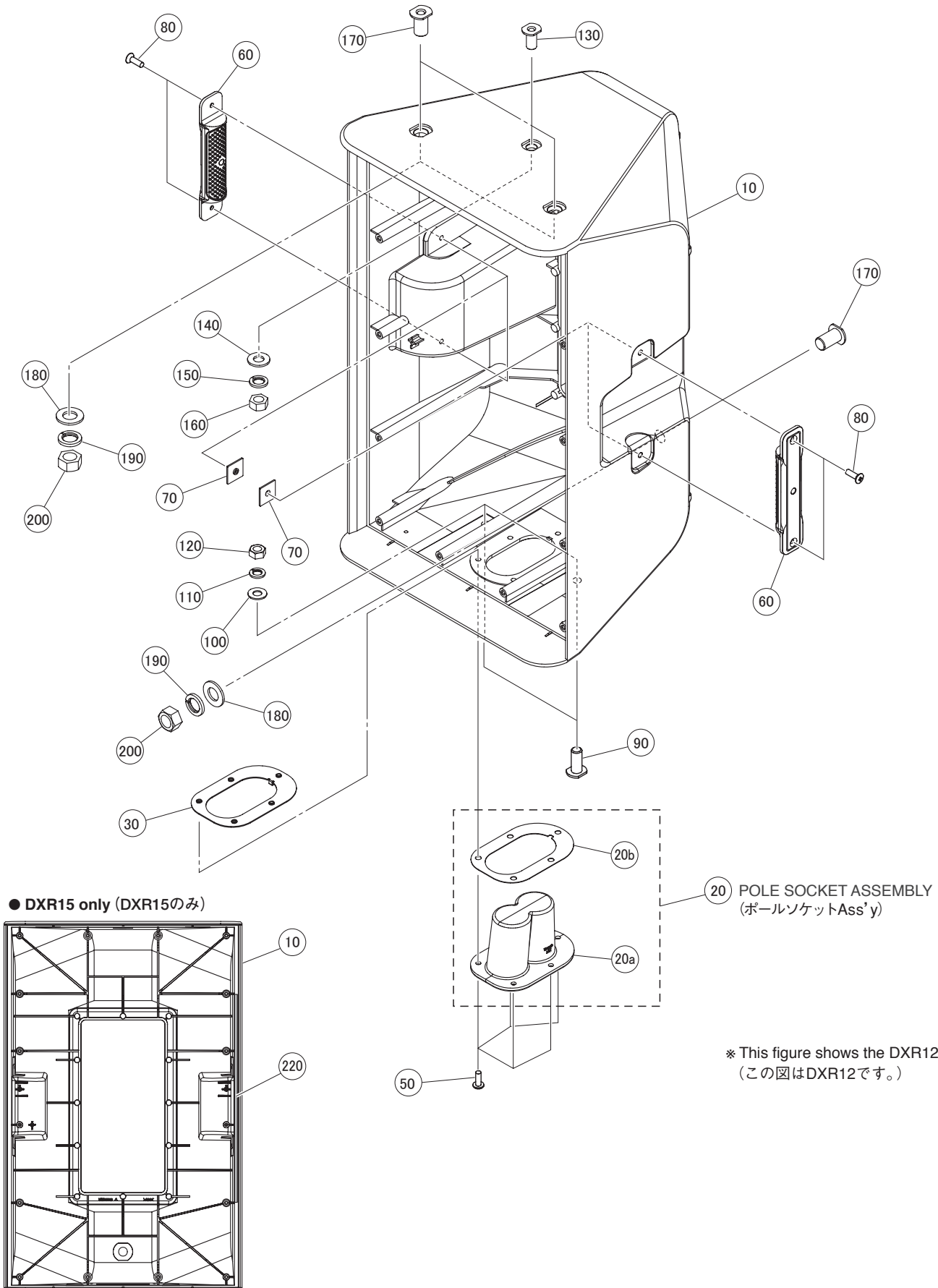
※ This figure shows the DXR8.
(この図はDXR8です。)

REF NO.	PART NO.	DESCRIPTION		部 品 名	REMARKS	QTY	RANK
	--	CABINET ASSEMBLY		キャビネット A s s ' y	DXR8/DXR10		
	--	CABINET ASSEMBLY		キャビネット A s s ' y	DXR8 (WY84210)		
10	--	CABINET ASSEMBLY		キャビネット A s s ' y	DXR10 (WY84200)		
10	--	CABINET BLACK		キャビネット 塗装上がり	DXR8 (WW78580)		
	--	CABINET BLACK		キャビネット 塗装上がり	DXR10 (WW78570)		
* 20	ZA238000	POLE SOCKET ASSEMBLY		ポールソケット A s s ' y			
20a	--	POLE SOCKET		ポールソケット	(WY45680)		
20b	--	CUSHION PS		クッション P S	(WY71690)		
* 30	WY456900	PS PLATE		P S プ レ ー ト			
50	WG490200	BIND HEAD SCREW	5.0X14 MFZN2B3	小ネジ + B I N D		5	01
60	--	HANDLE		ハ ン ド ル	(WW72530)		
70	--	SQUARE PLATE NUT		角 プ レ ー ト ナ ッ ト	(WW83470)	2	
* 80	WW783400	RNDF HEAD SCREW	5.0X20 MFZN2B3	小ネジ + R N D F		2	
* 90	WW833400	RIGGING BOLT		リギングボルト		2	
* 100	WW787700	PLAIN WASHER	10.0X22.0 MFZN2W3	平 座 み が き 丸		2	
110	WF57760R	SPRING WASHER	#2 10.0 MFZN2W3	バ ネ 座 金		2	01
120	WF74260R	HEXAGONAL NUT	M10 #1	ナ ッ ト 6 角		2	
* 130	WW833500	RIGGING BOLT		リギングボルト		5	
* 140	WY928400	PLAIN WASHER	12.0X26.0 MFZN2W3	平 座 み が き 丸		5	
* 150	WY858400	SPRING WASHER	12.0X21.5 MFZN2W3	バ ネ 座 金		5	
* 160	WW784900	HEXAGONAL NUT	M12 #1	ナ ッ ト 6 角		5	

*: New Parts

RANK: Japan only

■ CABINET ASSEMBLY (キャビネット Ass'y) <DXR12/DXR15>

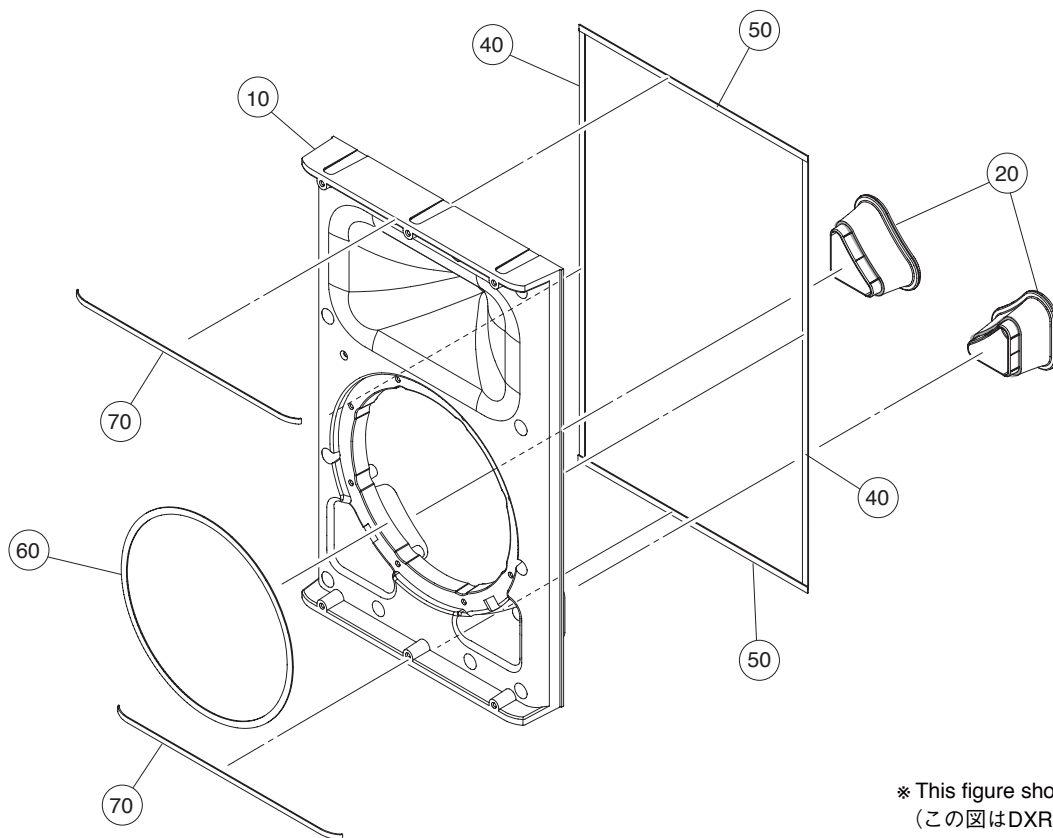


REF NO.	PART NO.	DESCRIPTION		部 品 名	REMARKS	QTY	RANK
	--	CABINET ASSEMBLY		キャビネット A s s ' y	DXR12/DXR15		
	--	CABINET ASSEMBLY		キャビネット A s s ' y	DXR12 (WY84190)		
	--	CABINET ASSEMBLY		キャビネット A s s ' y	DXR15 (WY84180)		
10	--	CABINET BLACK		キャビネット 塗装上がり	DXR12 (WW78560)		
10	--	CABINET BLACK		キャビネット 塗装上がり	DXR15 (WW78550)		
*	20	ZA238000	POLE SOCKET ASSEMBLY	ポールソケット A s s ' y			
	20a	--	POLE SOCKET	ポールソケット	(WY45680)		
	20b	--	CUSHION PS	クッション P S	(WY71690)		
*	30	WY456900	PS PLATE	P S プ レ ー ト			
	50	WG490200	BIND HEAD SCREW	5.0X14 MFZN2B3	小ネジ + B I N D	5	01
	60	--	HANDLE	ハンドル	(WW72530)	2	
	70	--	SQUARE PLATE NUT	角プレートナット	(WW83470)	4	
*	80	WW783400	RNDF HEAD SCREW	5.0X20 MFZN2B3	小ネジ + R N D F	4	
*	90	WW833400	RIGGING BOLT	リギングボルト		2	
*	100	WW787700	PLAIN WASHER	10.0X22.0 MFZN2W3	平座み が き 丸	2	
	110	WF57760R	SPRING WASHER	#2 10.0 MFZN2W3	バネ座金	2	01
	120	WF74260R	HEXAGONAL NUT	M10 #1	ナット 6 角	2	
*	130	WW833500	RIGGING BOLT	リギングボルト			
*	140	WY928400	PLAIN WASHER	12.0X26.0 MFZN2W3	平座み が き 丸		
*	150	WY858400	SPRING WASHER	12.0X21.5 MFZN2W3	バネ座金		
*	160	WW784900	HEXAGONAL NUT	M12 #1	ナット 6 角		
*	170	WW833600	RIGGING BOLT	リギングボルト		3	
*	180	WY858200	PLAIN WASHER	16.0X32.0 MFZN2W3	平座み が き 丸	3	
*	190	WY858300	SPRING WASHER	16.0X28.0 MFZN2W3	バネ座金	3	
*	200	WW785300	HEXAGONAL NUT	M16 #1	ナット 6 角	3	
	220	--	CUSHION	クッション	DXR15 (ZA85010)		

*: New Parts

RANK: Japan only

BAFFLE ASSEMBLY (バッフル Ass'y)



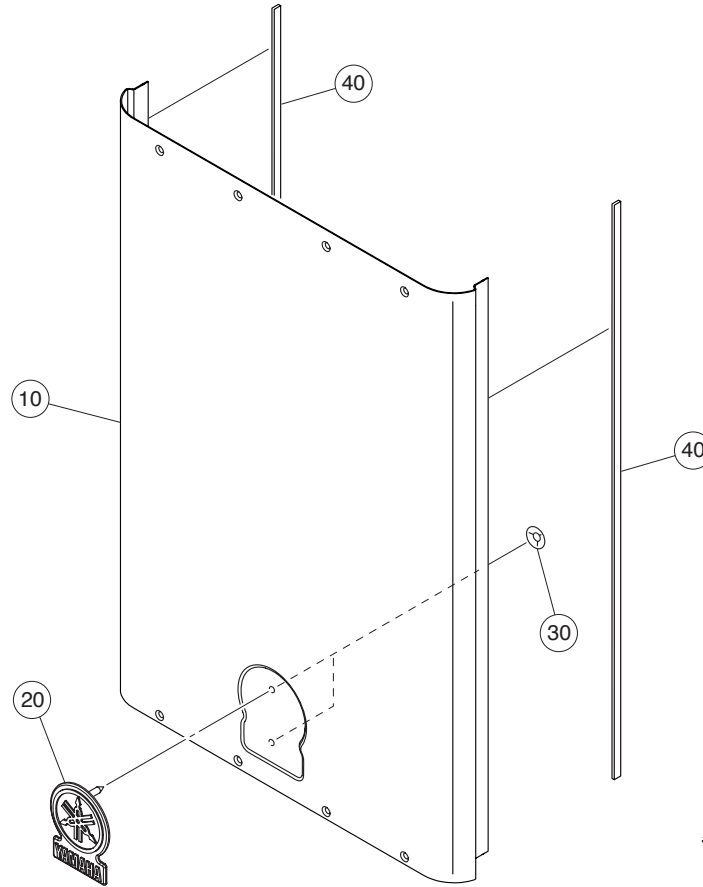
※ This figure shows the DXR8.
(この図はDXR8です。)

REF NO.	PART NO.	DESCRIPTION	部 品 名	REMARKS	QTY	RANK
*		BAFFLE ASSEMBLY	バッフル Ass'y	DXR8/DXR10/DXR12/DXR15		
*	WY843600	BAFFLE ASSEMBLY	バッフル Ass'y	DXR8		
*	WY843500	BAFFLE ASSEMBLY	バッフル Ass'y	DXR10		
*	WY843400	BAFFLE ASSEMBLY	バッフル Ass'y	DXR12		
*	WY843300	BAFFLE ASSEMBLY	バッフル Ass'y	DXR15		
	10	--	バッフル	DXR8 (WW72500)		
	10	--	バッフル	DXR10 (WW78540)		
	10	--	バッフル	DXR12 (WW78590)		
	10	--	バッフル	DXR15 (WW78600)		
	20	--	ポートアダプター	DXR8 (WW78510)	2	
	20	--	ポートアダプター	DXR10 (WW78960)	2	
	20	--	ポートアダプター	DXR12 (WW78950)	2	
	20	--	ポートアダプター	DXR15 (WW78940)	2	
*	40	WY854800	GASKET	DXR8	2	
*	40	WY856400	GASKET	DXR10	2	
*	40	WY886500	GASKET	DXR12	2	
*	40	WY887100	GASKET	DXR15	2	
*	50	WY854900	GASKET	DXR8	2	
*	50	WY858100	GASKET	DXR10	2	
*	50	WY886600	GASKET	DXR12	2	
*	50	WY887200	GASKET	DXR15	2	
*	60	WW833300	GASKET	DXR8		
*	60	WY858600	GASKET	DXR10		
*	60	WY886700	GASKET	DXR12		
*	60	WY887300	GASKET	DXR15		
	70	--	クッション	DXR8 (WY85800)	2	
	70	--	クッション	DXR10 (WY85930)	2	
	70	--	クッション	DXR12 (WY88680)	2	
	70	--	クッション	DXR15 (WY88740)	2	

*: New Parts

RANK: Japan only

METAL GRILLE ASSEMBLY (メタルグリル Ass'y)



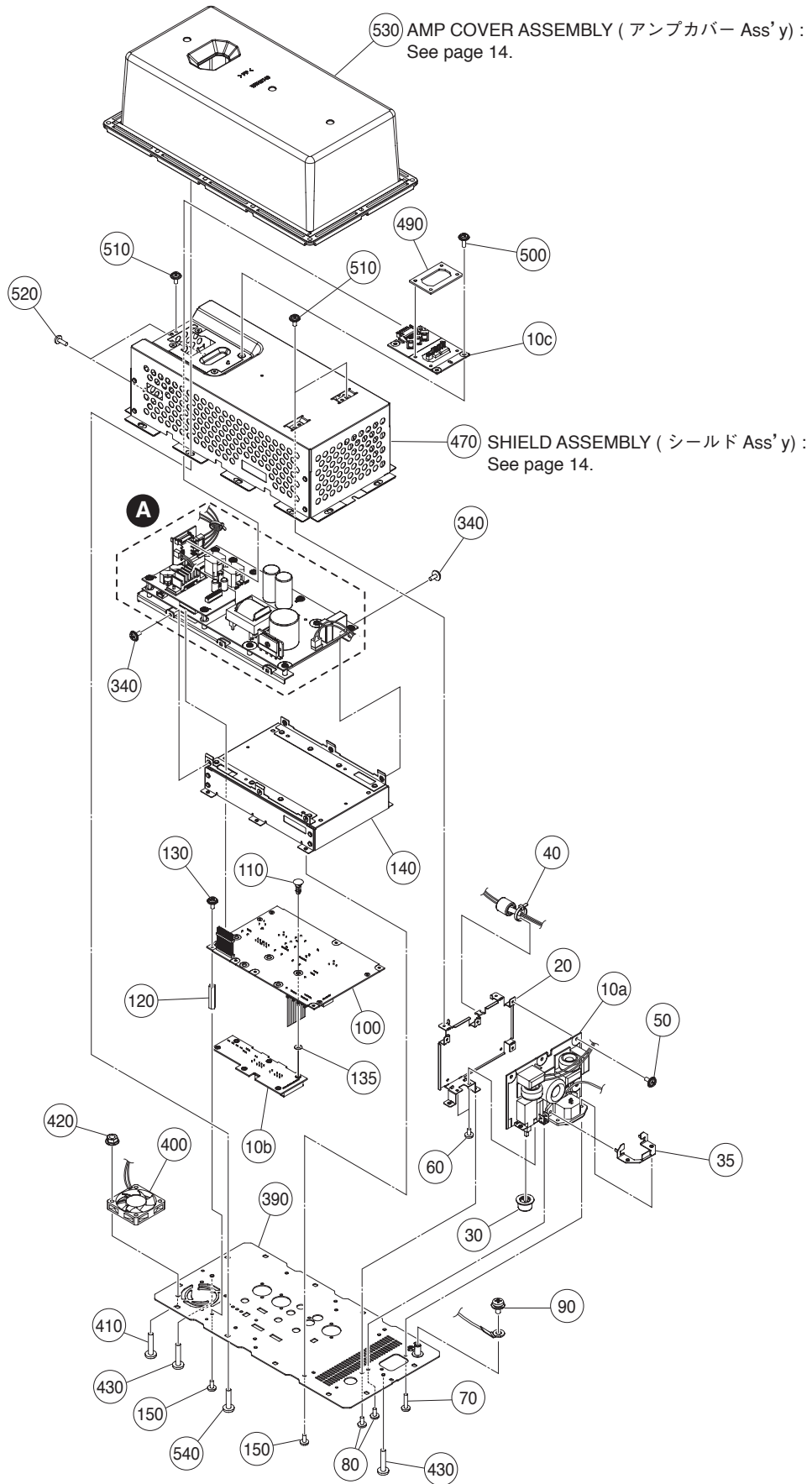
* This figure shows the DXR12.
(この図はDXR12です。)

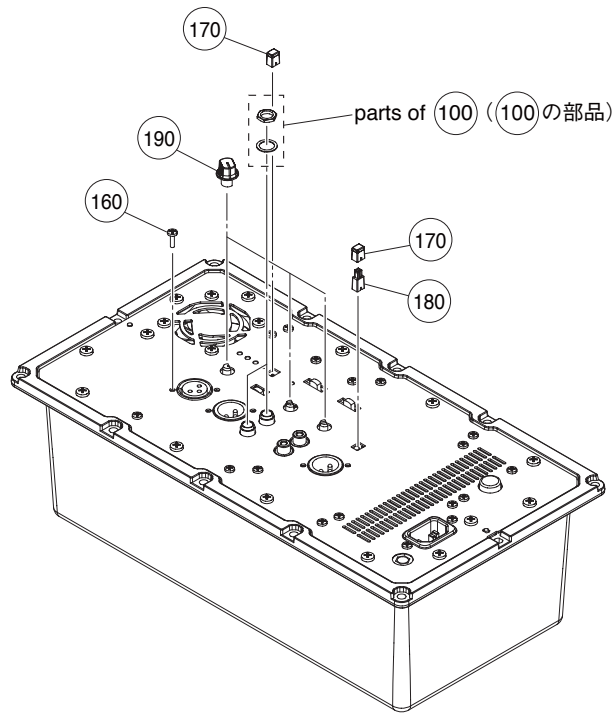
REF NO.	PART NO.	DESCRIPTION		部 品 名	REMARKS	QTY	RANK
*		METAL GRILLE ASSEMBLY		メタルグリル Ass'y	DXR8/DXR10/DXR12/DXR15		
*	WY845900	METAL GRILLE ASSEMBLY		メタルグリル Ass'y	DXR8		
*	WY845800	METAL GRILLE ASSEMBLY		メタルグリル Ass'y	DXR10		
*	WY845700	METAL GRILLE ASSEMBLY		メタルグリル Ass'y	DXR12		
*	WY845600	METAL GRILLE ASSEMBLY		メタルグリル Ass'y	DXR15		
10	--	METAL GRILLE		メタルグリル	DXR8 (WW83230)		
10	--	METAL GRILLE		メタルグリル	DXR10 (WW83220)		
10	--	METAL GRILLE		メタルグリル	DXR12 (WW83210)		
10	--	METAL GRILLE		メタルグリル	DXR15 (WW83200)		
20	--	LOGO BADGE ASSEMBLY		ロゴバッジ Ass'y	DXR8/DXR10 YAMAHA (WY85160)		
20	--	LOGO BADGE ASSEMBLY		ロゴバッジ Ass'y	DXR12/DXR15 YAMAHA (WY85170)		
30	--	PUSH NUT	M5	プッシュナット	(WY83310)	2	
40	--	CUSHION		クッション	DXR8 (WW78750)	2	
40	--	CUSHION		クッション	DXR10 (WY91890)	2	
40	--	CUSHION		クッション	DXR12 (WY88760)	2	
40	--	CUSHION		クッション	DXR15 (WY88770)	2	

*: New Parts

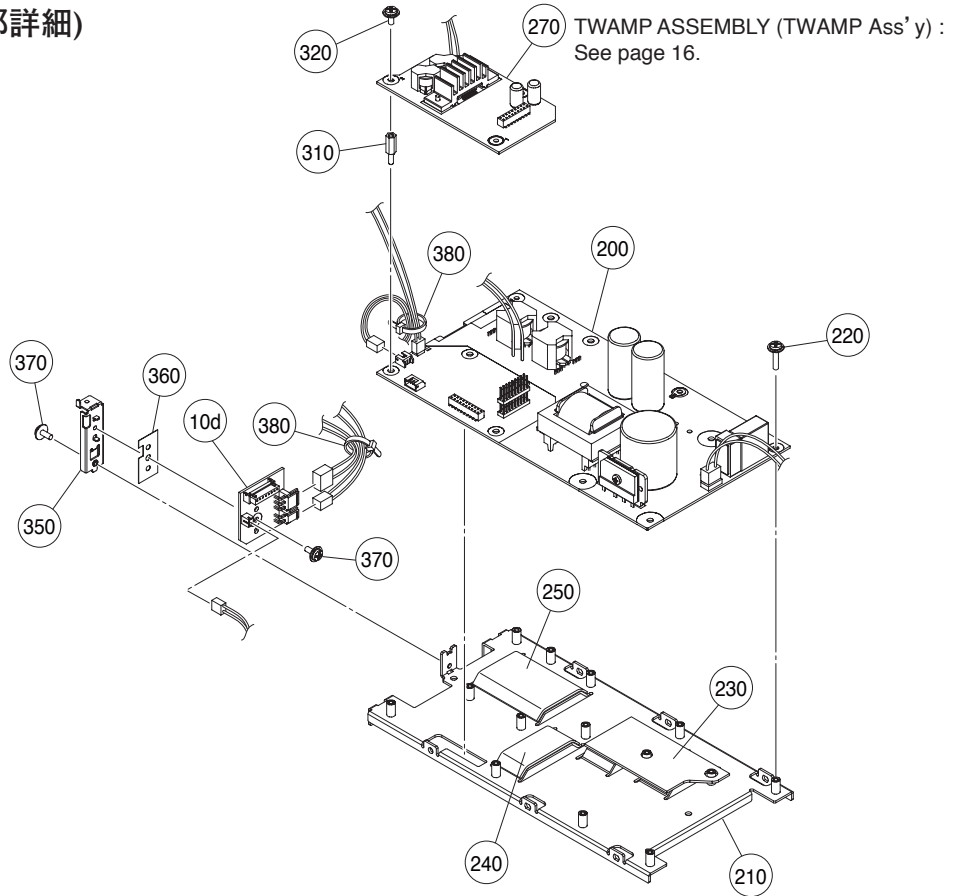
RANK: Japan only

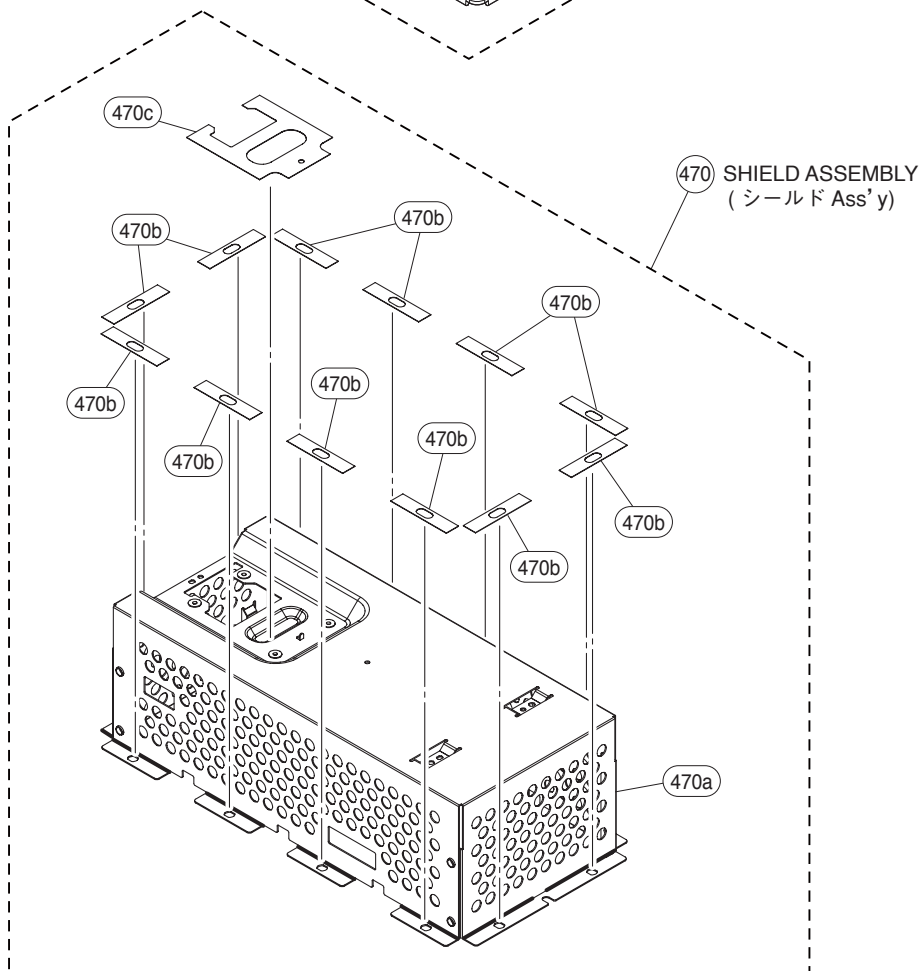
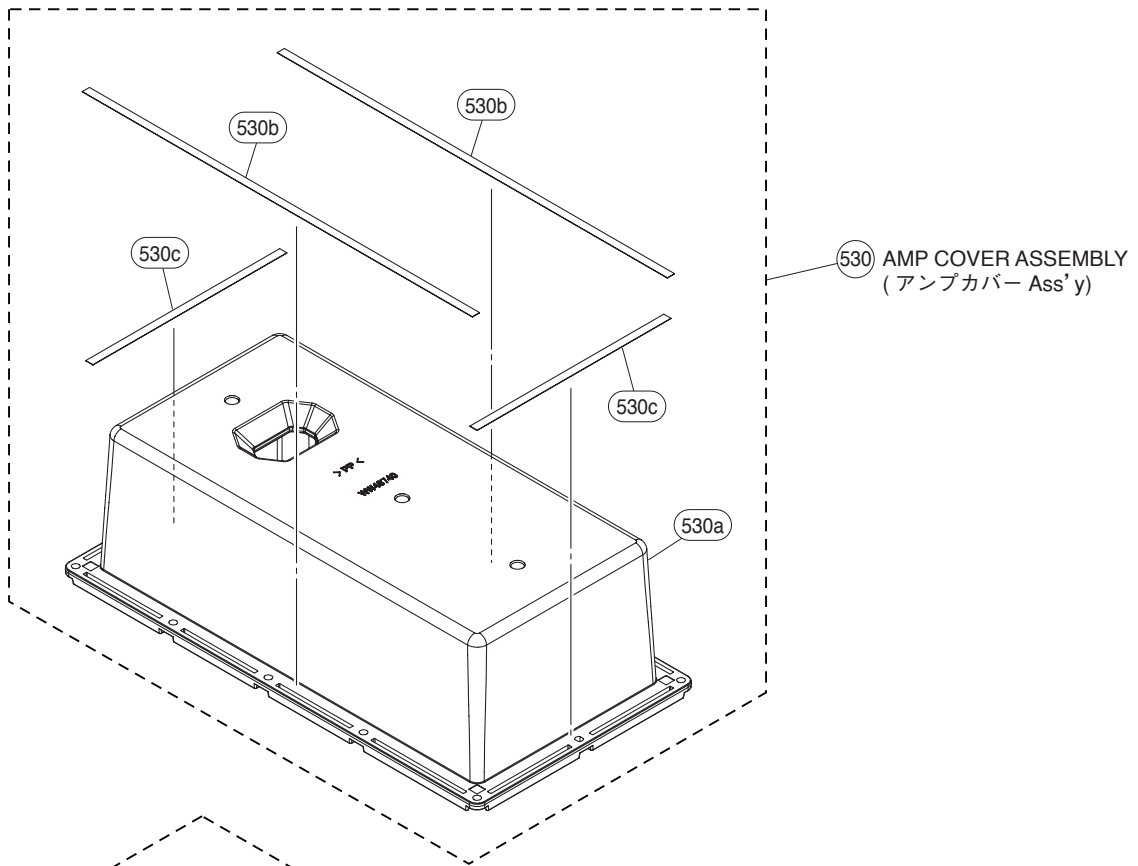
AMP ASSEMBLY (アンプ Ass'y)





● Details A (A部詳細)



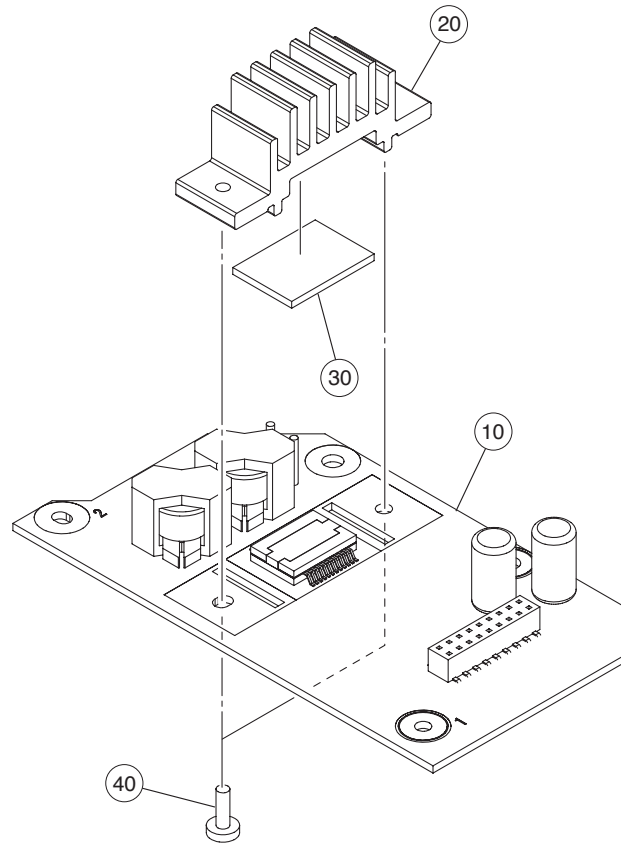


REF NO.	PART NO.	DESCRIPTION		部 品 名	REMARKS	QTY	RANK
		AMP ASSEMBLY		アンプ A s s ' y	DXR8/DXR10/DXR12/DXR15		
*	WW985600	AMP ASSEMBLY 8		アンプ A s s ' y 8	DXR8		
*	WW985800	AMP ASSEMBLY 10		アンプ A s s ' y 10	DXR10		
*	WW985900	AMP ASSEMBLY 12		アンプ A s s ' y 12	DXR12		
*	WW986000	AMP ASSEMBLY 15		アンプ A s s ' y 15	DXR15		
*	10	WW652600	CIRCUIT BOARD	SUB(H)	S U B シート (H)		
*	10a	ZC255100	CIRCUIT BOARD	SUB1(H)	S U B 1 シート (H)	(WW65260)	
*	10b	ZC255200	CIRCUIT BOARD	SUB2(H)	S U B 2 シート (H)	(WW65260)	
*	10c	ZC255300	CIRCUIT BOARD	SUB3(H)	S U B 3 シート (H)	(WW65260)	
*	10d	ZC255400	CIRCUIT BOARD	SUB4(H)	S U B 4 シート (H)	(WW65260)	
	20	--	SHIELD ACIN		シールド A C I N	(WW45450)	
	30	WC738200	POWER KNOB	SI YST-SW030SZ	パワ ー ノ ブ	POWER	01
	35	--	INLET ANGLE	0.8	インレット金具	(WW45400)	
	40	WB408000	BINDING TIE	GT-100M HUA WEI	インシュロックタイ		
	50	WF304800	PW HEAD TAPPING SCREW-S	3.0X6 MFZN2W3	S タイト + P W H		4 01
	60	WE967900	BIND HEAD SCREW	3.0X5 MFZN2W3	小ネジ + B I N D		2 01
	70	WF257600	BIND HEAD TAPPING SCREW-S	3.0X12 MFZN2B3	S タイト + B I N D		2 01
	80	WE87780R	BIND HEAD TAPPING SCREW-S	3.0X6 MFZN2B3	S タイト + B I N D		3 01
	90	WF001900	BIND HEAD SCREW	4.0X8 MFZN2W3 SP	小ネジ + B I N D		
*	100	WW598200	CIRCUIT BOARD	DSP(H)	D S P シート (H)		
	110	--	LOCKING CARD SPACER	KGLS-7RT	ロックアップカードスペーサ	(WW66510)	6
*	120	WW718800	HEXAGONAL SPACER	H25.1	六角スペーサ H 2 5		6
	130	WF304800	PW HEAD TAPPING SCREW-S	3.0X6 MFZN2W3	S タイト + P W H		6 01
*	135	WZ465900	RING CUSHION		リングクッション		6
	140	--	SHIELD DSP ASSEMBLY		シールド D S P A s s ' y	(WW74480)	
	150	WE87780R	BIND HEAD TAPPING SCREW-S	3.0X6 MFZN2B3	S タイト + B I N D		12 01
	160	WE972200	BIND HEAD TAPPING SCREW-B	3.0X10 MFZN2B3	B タイト + B I N D		7 01
	170	V966480R	PUSH BUTTON HPF WHITE/D-GRAY		ボタン H P F	FRONT LED DISABLE, LINK MODE	2 01
*	180	WW871500	BUTTON JOINT HPF		ボタン継ぎ手 H P F		
*	190	WW745300	VOLUME KNOB BLACK		ノブ V R 塗装品	INPUT 1,2,3 LEVEL	3
*	200	WW652400	CIRCUIT BOARD	AMPS(H)	A M P S シート (H)		
	210	--	HEATSINK AMPS		ヒートシンク A M P S	(WW45520)	
	220	WF304800	PW HEAD TAPPING SCREW-S	3.0X6 MFZN2W3	S タイト + P W H		10 01
	230	--	HEAT RELEASE SHEET A		放熱シート A	(WW45410)	
	240	--	HEAT RELEASE SHEET B		放熱シート B	(WW45420)	
	250	--	HEAT RELEASE SHEET C		放熱シート C	(WW45430)	
*	270	WZ011100	TWAMP ASSEMBLY		T W A M P A s s ' y		
*	310	WW587800	HEXAGONAL SPACER	H12.5	六角スペーサ		4
	320	WF304800	PW HEAD TAPPING SCREW-S	3.0X6 MFZN2W3	S タイト + P W H		4 01
	340	WF304800	PW HEAD TAPPING SCREW-S	3.0X6 MFZN2W3	S タイト + P W H		6 01
	350	--	SUPPORT ANGLE TR		サポート金具 T R	(WW45510)	
	360	--	INSULATION SHEET TR	17X32X0.3	絶縁シート T R	(WW60700)	
	370	WF304800	PW HEAD TAPPING SCREW-S	3.0X6 MFZN2W3	S タイト + P W H		2 01
	380	WB408000	BINDING TIE	GT-100M HUA WEI	インシュロックタイ		2
*	390	WW455500	REAR PANEL BLACK	8	R パネル印刷品	DXR8	
*	390	WW744900	REAR PANEL BLACK	10	R パネル印刷品	DXR10	
*	390	WW745000	REAR PANEL BLACK	12	R パネル印刷品	DXR12	
*	390	WW745100	REAR PANEL BLACK	15	R パネル印刷品	DXR15	
*	400	WV988300	DC FAN	RDL5010S	D C フ ァ ン	DXR8/DXR10	
*	400	WZ600800	DC FAN	RDL5010B	D C フ ァ ン	DXR12/DXR15	
	410	WE968900	BIND HEAD SCREW	4.0X18 MFZN2B3	小ネジ + B I N D		4 01
	420	WF557600	HEXAGONAL FLANGE NUT	M4	ナット 六角フランジ		4 01
	430	WG256300	BIND HEAD SCREW	3.0X18 MFZN2B3	+ バインド小ネジ		2 01
	470	--	SHIELD ASSEMBLY		シールド A s s ' y	(WY75950)	
	470a	--	SHIELD AMP		シールド A M P	(WW45460)	
	470b	--	CUSHION AMP B		クッション A M P B	(WY54640)	12
	470c	--	INSULATION SHEET OUT	58X85X0.3	絶縁シート O U T	(WW60690)	
	490	--	CUSHION OUT		クッション O U T	(WW67280)	
	500	WF304800	PW HEAD TAPPING SCREW-S	3.0X6 MFZN2W3	S タイト + P W H		4 01
	510	WF304800	PW HEAD TAPPING SCREW-S	3.0X6 MFZN2W3	S タイト + P W H		3 01
*	520	WE774301	BIND HEAD TAPPING SCREW-B	3.0X8 MFZN2W3	B タイト + B I N D		2 01
	530	WY752200	AMP COVER ASSEMBLY		アンプカバー A s s ' y		
	530a	--	AMP UNIT COVER		アンプユニットカバー	(WW48740)	
	530b	--	CUSHION CVR A		クッション C V R A	(WY54650)	2
	530c	--	CUSHION CVR B		クッション C V R B	(WY54660)	2
	540	WE99840R	BIND HEAD TAPPING SCREW-B	4.0X16 MFZN2B3	B タイト + B I N D		12 01

*: New Parts

RANK: Japan only

■ TWAMP ASSEMBLY (TWAMP Ass'y)

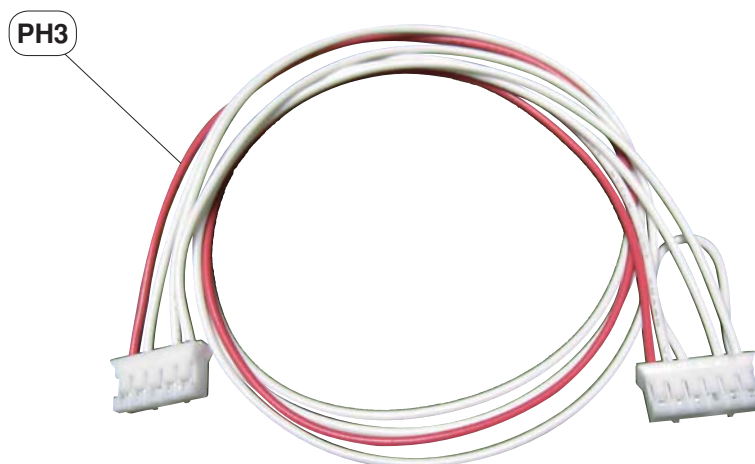
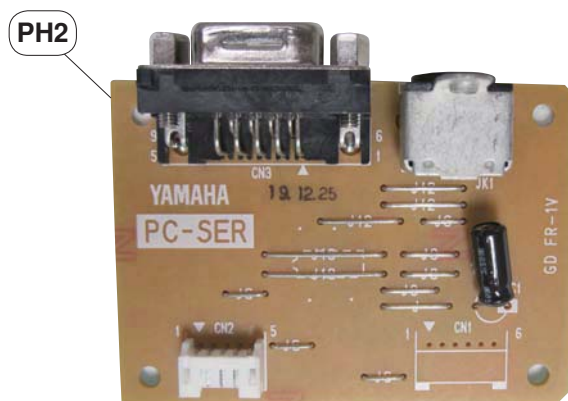
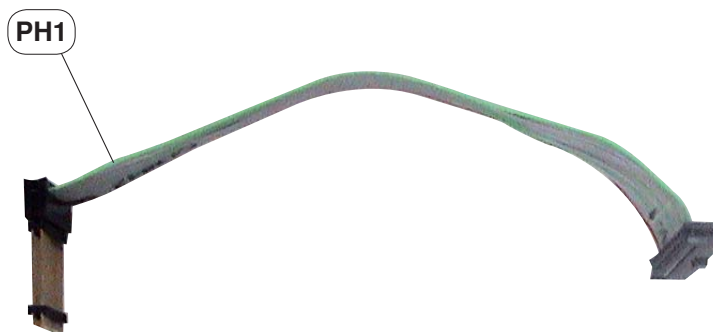


REF NO.	PART NO.	DESCRIPTION		部 品 名	REMARKS	QTY	RANK
*		TWAMP ASSEMBLY		TWAMP Ass'y	DXR8/DXR10/DXR12/DXR15		
	WZ011100	TWAMP ASSEMBLY		TWAMP Ass'y			
10	--	CIRCUIT BOARD	TWAMP(H)	TWAMPシート(H)	(WW65250)		
20	--	HEAT RELEASE SHEET D		放熱シートD	(WW45440)		
30	--	HEATSINK TW		ヒートシンクTW	(WW73430)		
40	WE774301	BIND HEAD TAPPING SCREW-B	3.0X8 MFZN2W3	Bタイト+BIND		2	01

*: New Parts

RANK: Japan only

■ JIGS (治具)



REF NO.	PART NO.	DESCRIPTION		部 品 名 治 具	REMARKS	QTY	RANK
*	PH1	ZC144300	JIGS	DXR-JIG束線	DXR8/DXR10/DXR12/DXR15 20PIN L=200mm		16
	PH2	WP327800	EXTENSION WIRING ASSEMBLY	シリアルコミュニケーション治具			
	PH3	WW332900	SERIAL COMMUNICATION JIG	DSR-CS 5P-6P			
			WIRING ASSEMBLY				

*: New Parts

RANK: Japan only

ELECTRICAL PARTS (電気部品)

AMPS

REF NO.	PART NO.	DESCRIPTION	部 品 名	REMARKS	QTY	RANK
		ELECTRICAL PARTS	電 気 部 品	DXR8/DXR10/DXR12/DXR15		
*	WW652400	CIRCUIT BOARD	AMPS(H)	A M P S シ ー ト (H)	(YC775F0)	
*	WW598200	CIRCUIT BOARD	DSP(H)	D S P シ ー ト (H)	(YD229D0)	
*	WY287700	CIRCUIT BOARD	LED(H)	L E D シ ー ト (H)	(YD441C0)	
*	WW652600	CIRCUIT BOARD	SUB(H)	S U B シ ー ト (H)	(YD233D0)	
*	ZC255100	CIRCUIT BOARD	SUB1(H)	S U B 1 シ ー ト (H)	(WW65260)(YD233D0)	
*	ZC255200	CIRCUIT BOARD	SUB2(H)	S U B 2 シ ー ト (H)	(WW65260)(YD233D0)	
*	ZC255300	CIRCUIT BOARD	SUB3(H)	S U B 3 シ ー ト (H)	(WW65260)(YD233D0)	
*	ZC255400	CIRCUIT BOARD	SUB4(H)	S U B 4 シ ー ト (H)	(WW65260)(YD233D0)	
*	--	CIRCUIT BOARD	TWAMP(H)	T W A M P シ ー ト (H)	(WW65250)(YD206E0)	
*	WW652400	CIRCUIT BOARD	AMPS(H)	A M P S シ ー ト (H)	(YC775F0)	
	--	SILICON GREASE	FLOIL G-600Y	シ リ コ ン グ リ ス	(WD74640)	
	WE774301	BIND HEAD TAPPING SCREW-B	3.0X8 MFZN2W3	B タ イ ト + B I N D		01
C118	WW660600	ELECTROLYTIC CAPACITOR	680.00 400.0V JIRI	ケ ミ コ ン		
⚠	C132	WY616400	CAPACITOR	150P 250V J,U,C,S	規 格 認 定 コ ン K X	
⚠	C133	WH036100	CAPACITOR	2200P 250V J,U,C,S	規 格 認 定 コ ン K X	01
*	C137	WY848800	ELECTROLYTIC CAPACITOR	3300 63.0V TATESUT	ケ ミ コ ン	
*	C138	WY848800	ELECTROLYTIC CAPACITOR	3300 63.0V TATESUT	ケ ミ コ ン	
*	C172	WW890800	POLYESTER FILM CAPACITOR	0.68 250V J FORMIN	P P コ ン	
*	C316	WZ261100	POLYESTER FILM CAPACITOR	6.8 63V K TP	マ イ ラ ー コ ン	
*	C317	WZ261100	POLYESTER FILM CAPACITOR	6.8 63V K TP	マ イ ラ ー コ ン	
*	C320	WY042700	POLYESTER FILM CAPACITOR	1.20 100V J FORMIN	P P コ ン	
*	C420	WY042700	POLYESTER FILM CAPACITOR	1.20 100V J FORMIN	P P コ ン	
⚠	CN101	LB93203R	CONNECTOR	VH 3P TE	ベ ー ス ポ ス ト	01
	CN251	VB858200	CONNECTOR	PH 3P SE	ベ ー ス ポ ス ト	01
	CN254	VB858400	CONNECTOR	PH 5P SE	ベ ー ス ポ ス ト	01
	CN255	WD96190R	FEMALE HEADER	GSHD206 20P TE	メ ス ヘ ッ ダ ー	
	CN256	WS273200	PIN HEADER	GPHA202 18P TE	ピ ン ヘ ッ ダ ー	
⚠	D104	WP061900	DIODE STACK	RS1505M-B-C-J82	D i ス タ ッ ク	04
⚠	D115	WW176600	DIODE	FFPF08S60STU SUTO	ダ イ オ ー ド	
⚠	D116	WW176600	DIODE	FFPF08S60STU SUTO	ダ イ オ ー ド	
⚠	F101	VT943300	FUSE	TH 6.30A S 250V	ヒ ュ ー ズ 2 5 0 V	01
*	F103	WZ502900	THERMAL CUTOFFS	TB115	温 度 ヒ ュ ー ズ	
	IC104	XK841A00	IC	NJM7818FA	I C	REGULATOR +18V
	IC104	YA888A00	IC	KIA7818API-U/PF	I C	01
	IC107	X4153A00	IC	KIA7812API	I C	REGULATOR +12V
*	IC110	YD634A00	IC	LM337T/NOPB	I C	REGULATOR -18V
	K102	--	HEATSINK BD ASSEMBLY	放 熱 板 B D A s s ' y	(WW45370)	
*	L303	WW456000	COIL	PI-EZ002-0029 YOKO	コ イ ル	
*	L403	WW456000	COIL	PI-EZ002-0029 YOKO	コ イ ル	
⚠	PH101	ZA093600	PHOTO COUPLER	TLP781(D4-GRL,F)	フ ォ ト カ プ ラ	
⚠	PH102	WP388200	PHOTO COUPLER	TLP781(D4-GR,F)	フ ォ ト カ プ ラ	01
⚠	PH103	WP388200	PHOTO COUPLER	TLP781(D4-GR,F)	フ ォ ト カ プ ラ	01
*	Q102	WY554600	FET	RJK5033DPP-M0-T2	F E T	
*	Q106	WW119300	FET	FDPF10N60ZUT SUT	F E T	
*	Q107	WY779700	FET	F25F60CPM-7600 S	F E T	
*	Q313	WY081300	FET	2SK3603-01MR ST	F E T	
*	Q314	WY081300	FET	2SK3603-01MR ST	F E T	
*	Q413	WY081300	FET	2SK3603-01MR ST	F E T	
*	Q414	WY081300	FET	2SK3603-01MR ST	F E T	
⚠	R101	VN067401	CEMENT RESISTOR	6.8 5W K TATESUTO	セ メ ン ト 抵 抗	03
	R116	VC764300	METAL OXIDE FILM RESISTOR	15.0K 2W J	酸 化 金 属 被 膜 抵 抗	01
⚠	RY101	V0073400	RELAY	DC DG12D1-O(M)-II 12V	リ レ ー 1 2 V	03
⚠	RY101	WW419100	RELAY	DC FTR-F2AL012T 12V	リ レ ー	
*	T101	YD134B00	PULSE TRANSFORMER	UL E	バ ル ス ト ラ ン ス	
⚠	T102	YC830B00	POWER TRANSFORMER	UL E	電 源 ト ラ ン ス	
	W251	--	CONNECTOR ASSEMBLY	B&C 2P	B & C 束 線	(WW76450)
	W301	--	CONNECTOR ASSEMBLY	B&C 2P	B & C 束 線	(WW76440)
	C105	V754500R	MONOLITHIC CERAMIC CAP(CHIP)	0.022 250V K RECT.	チ ッ プ 積 層 セ ラ コ ン	01
	C110	WU447000	CERAMIC CAPACITOR (CHIP)	0.1000 50V K RECT.	チ ッ プ セ ラ (B)	01
	C111	V754500R	MONOLITHIC CERAMIC CAP(CHIP)	0.022 250V K RECT.	チ ッ プ 積 層 セ ラ コ ン	01
	C113	US063470	CERAMIC CAPACITOR (CHIP)	4700P 50V K RECT.	チ ッ プ セ ラ (B)	01
	C114	US062100	CERAMIC CAPACITOR (CHIP)	100P 50V J RECT.	チ ッ プ セ ラ (S L)	01
	C115	US035100	CERAMIC CAPACITOR (CHIP)	0.1000 16V K RECT.	チ ッ プ セ ラ (B)	01
	C116	US062220	CERAMIC CAPACITOR (CHIP)	220P 50V J RECT.	チ ッ プ セ ラ (S L)	01
	C117	US046100	CERAMIC CAPACITOR (CHIP)	1.00 25V K RECT.	チ ッ プ セ ラ (B)	01
	C119	US035100	CERAMIC CAPACITOR (CHIP)	0.1000 16V K RECT.	チ ッ プ セ ラ (B)	01
	C120	US046100	CERAMIC CAPACITOR (CHIP)	1.00 25V K RECT.	チ ッ プ セ ラ (B)	01
	C121	US046100	CERAMIC CAPACITOR (CHIP)	1.00 25V K RECT.	チ ッ プ セ ラ (B)	01

*: New Parts

RANK: Japan only

AMPS

REF NO.	PART NO.	DESCRIPTION	部 品 名	REMARKS	QTY	RANK
C122	US062180	CERAMIC CAPACITOR (CHIP)	180P 50V J RECT.	チップセラ (S L)		01
C123	US046100	CERAMIC CAPACITOR (CHIP)	1.00 25V K RECT.	チップセラ (B)		01
C124	US046100	CERAMIC CAPACITOR (CHIP)	1.00 25V K RECT.	チップセラ (B)		01
C126	US035100	CERAMIC CAPACITOR (CHIP)	0.1000 16V K RECT.	チップセラ (B)		01
C130	US06212R	CERAMIC CAPACITOR (CHIP)	120P 50V J RECT.	チップセラ (S L)		01
C131	US06212R	CERAMIC CAPACITOR (CHIP)	120P 50V J RECT.	チップセラ (S L)		01
C136	US062100	CERAMIC CAPACITOR (CHIP)	100P 50V J RECT.	チップセラ (S L)		01
C139	US062100	CERAMIC CAPACITOR (CHIP)	100P 50V J RECT.	チップセラ (S L)		01
C140	WU839500	CERAMIC CAPACITOR (CHIP)	2200P 50V J 1608 T	チップセラ		
C141	WU839300	CERAMIC CAPACITOR (CHIP)	330P 50V J 1608 TA	チップセラ		
C142	US063100	CERAMIC CAPACITOR (CHIP)	1000P 50V K RECT.	チップセラ (B)		01
C143	WJ592700	MONOLITHIC CERAMIC CAP(CHIP)	100P 250V J KAKUTE	チップ積層セラコン		01
C144	WU447000	CERAMIC CAPACITOR (CHIP)	0.1000 50V K RECT.	チップセラ (B)		01
* C147	WZ198600	ELECTROLYTIC CAP. (CHIP)	330.00 50.0V SMT	チップケミコン		
* C148	WZ198600	ELECTROLYTIC CAP. (CHIP)	330.00 50.0V SMT	チップケミコン		
C149	WN422300	ELECTROLYTIC CAP. (CHIP)	47.00 35.0V TP	チップケミコン U D		01
C150	WN422300	ELECTROLYTIC CAP. (CHIP)	47.00 35.0V TP	チップケミコン U D		01
C151	WU447000	CERAMIC CAPACITOR (CHIP)	0.1000 50V K RECT.	チップセラ (B)		01
C152	WU447000	CERAMIC CAPACITOR (CHIP)	0.1000 50V K RECT.	チップセラ (B)		01
C154	WC37000R	ELECTROLYTIC CAP. (CHIP)	220.00 35.0V	チップケミコン U D		01
C155	WN422300	ELECTROLYTIC CAP. (CHIP)	47.00 35.0V TP	チップケミコン U D		01
C158	WU839400	CERAMIC CAPACITOR (CHIP)	1800P 50V J 1608 T	チップセラ		
C160	WU839400	CERAMIC CAPACITOR (CHIP)	1800P 50V J 1608 T	チップセラ		
C162	WU839400	CERAMIC CAPACITOR (CHIP)	1800P 50V J 1608 T	チップセラ		
C164	WN422300	ELECTROLYTIC CAP. (CHIP)	47.00 35.0V TP	チップケミコン U D		01
C165	US035100	CERAMIC CAPACITOR (CHIP)	0.1000 16V K RECT.	チップセラ (B)		01
C171	WU447000	CERAMIC CAPACITOR (CHIP)	0.1000 50V K RECT.	チップセラ (B)		01
C175	WJ592700	MONOLITHIC CERAMIC CAP(CHIP)	100P 250V J KAKUTE	チップ積層セラコン		01
C176	WC37000R	ELECTROLYTIC CAP. (CHIP)	220.00 35.0V	チップケミコン U D		01
C177	WJ918800	ELECTROLYTIC CAP. (CHIP)	100 35V EMZA350ADA	チップケミコン M Z A		01
* C177	WZ224600	ELECTROLYTIC CAP. (CHIP)	100.00 25.0V TP	チップケミコン U D		
C178	WN422300	ELECTROLYTIC CAP. (CHIP)	47.00 35.0V TP	チップケミコン U D		01
C179	US06212R	CERAMIC CAPACITOR (CHIP)	120P 50V J RECT.	チップセラ (S L)		01
C180	V585100R	CERAMIC CAPACITOR (CHIP)	470P 50V J KAKUTE	チップセラ C H		01
C181	US035100	CERAMIC CAPACITOR (CHIP)	0.1000 16V K RECT.	チップセラ (B)		01
C182	WN422300	ELECTROLYTIC CAP. (CHIP)	47.00 35.0V TP	チップケミコン U D		01
C183	US062220	CERAMIC CAPACITOR (CHIP)	220P 50V J RECT.	チップセラ (S L)		01
C184	US035100	CERAMIC CAPACITOR (CHIP)	0.1000 16V K RECT.	チップセラ (B)		01
C185	US046100	CERAMIC CAPACITOR (CHIP)	1.00 25V K RECT.	チップセラ (B)		01
-189	US046100	CERAMIC CAPACITOR (CHIP)	1.00 25V K RECT.	チップセラ (B)		01
C191	WU447000	CERAMIC CAPACITOR (CHIP)	0.1000 50V K RECT.	チップセラ (B)		01
C192	US035100	CERAMIC CAPACITOR (CHIP)	0.1000 16V K RECT.	チップセラ (B)		01
C252	US063100	CERAMIC CAPACITOR (CHIP)	1000P 50V K RECT.	チップセラ (B)		01
C254	WJ918800	ELECTROLYTIC CAP. (CHIP)	100 35V EMZA350ADA	チップケミコン M Z A		01
* C254	WZ224600	ELECTROLYTIC CAP. (CHIP)	100.00 25.0V TP	チップケミコン U D		
C255	US034470	CERAMIC CAPACITOR (CHIP)	0.0470 16V K RECT.	チップセラ (B)		01
C301	WN422300	ELECTROLYTIC CAP. (CHIP)	47.00 35.0V TP	チップケミコン U D		01
C302	WN422300	ELECTROLYTIC CAP. (CHIP)	47.00 35.0V TP	チップケミコン U D		01
C310	VZ420800	MONOLITHIC CERAMIC CAP(CHIP)	0.100 100V K RECT.	チップ積層セラコン		01
C311	WM490200	MONOLITHIC CERAMIC CAP(CHIP)	0.470 50V K 2012	チップ積層セラコン		01
-313	WM490200	MONOLITHIC CERAMIC CAP(CHIP)	0.470 50V K 2012	チップ積層セラコン		01
* C314	WJ918800	ELECTROLYTIC CAP. (CHIP)	100 35V EMZA350ADA	チップケミコン M Z A		01
C314	WZ224600	ELECTROLYTIC CAP. (CHIP)	100.00 25.0V TP	チップケミコン U D		
C315	WU447000	CERAMIC CAPACITOR (CHIP)	0.1000 50V K RECT.	チップセラ (B)		01
C371	WN422300	ELECTROLYTIC CAP. (CHIP)	47.00 35.0V TP	チップケミコン U D		01
C401	WN422300	ELECTROLYTIC CAP. (CHIP)	47.00 35.0V TP	チップケミコン U D		01
C402	WN422300	ELECTROLYTIC CAP. (CHIP)	47.00 35.0V TP	チップケミコン U D		01
C410	VZ420800	MONOLITHIC CERAMIC CAP(CHIP)	0.100 100V K RECT.	チップ積層セラコン		01
C411	WM490200	MONOLITHIC CERAMIC CAP(CHIP)	0.470 50V K 2012	チップ積層セラコン		01
C413	WM490200	MONOLITHIC CERAMIC CAP(CHIP)	0.470 50V K 2012	チップ積層セラコン		01
* C414	WJ918800	ELECTROLYTIC CAP. (CHIP)	100 35V EMZA350ADA	チップケミコン M Z A		01
C414	WZ224600	ELECTROLYTIC CAP. (CHIP)	100.00 25.0V TP	チップケミコン U D		
C415	WU447000	CERAMIC CAPACITOR (CHIP)	0.1000 50V K RECT.	チップセラ (B)		01
C421	US064100	CERAMIC CAPACITOR (CHIP)	0.0100 50V K RECT.	チップセラ (B)		01
C422	US064100	CERAMIC CAPACITOR (CHIP)	0.0100 50V K RECT.	チップセラ (B)		01
C471	WN422300	ELECTROLYTIC CAP. (CHIP)	47.00 35.0V TP	チップケミコン U D		01
CN104	VT388800	CONNECTOR	PH 7P TE	ベース付ポスト		
D101	VT53250R	DIODE (CHIP)	D1F60 1A 600V TP	チップダイオード		01
D102	VS59760R	DIODE (CHIP)	RB160L-40 TE25 TP	チップダイオード		01
D103	VT332900	DIODE (CHIP)	1SS355 TE-17 TP	チップダイオード		01

*: New Parts

RANK: Japan only

AMPS

REF NO.	PART NO.	DESCRIPTION	部 品 名	REMARKS	QTY	RANK
D105	VS59760R	DIODE (CHIP)	RB160L-40 TE25 TP	チップダイオード		01
D106	VV463000	DIODE (CHIP)	D1FL20U-5063	チップダイオード		01
* D107	WY692100	ZENER DIODE	TFZGTR6.2B 6.2V TP	ツェナーダイオード		
* D107	ZC267300	ZENER DIODE	RKZ6.2BUK#P6 6.2V	ツェナーダイオード		
* D108	WY692200	ZENER DIODE	TFZGTR8.2B 8.2V TP	ツェナーダイオード		
* D108	ZC267400	ZENER DIODE	RKZ8.2BUK#P6 8.2V	ツェナーダイオード		
D109	VV463000	DIODE (CHIP)	D1FL20U-5063	チップダイオード		01
D110	VS59760R	DIODE (CHIP)	RB160L-40 TE25 TP	チップダイオード		01
D111	VV463000	DIODE (CHIP)	D1FL20U-5063	チップダイオード		01
D112	VS59760R	DIODE (CHIP)	RB160L-40 TE25 TP	チップダイオード		01
D120	VS59760R	DIODE (CHIP)	RB160L-40 TE25 TP	チップダイオード		01
-123	VS59760R	DIODE (CHIP)	RB160L-40 TE25 TP	チップダイオード		01
D125	VS59760R	DIODE (CHIP)	RB160L-40 TE25 TP	チップダイオード		01
D126	VT332900	DIODE (CHIP)	1SS355 TE-17 TP	チップダイオード		01
D127	VT332900	DIODE (CHIP)	1SS355 TE-17 TP	チップダイオード		01
D129	VT332900	DIODE (CHIP)	1SS355 TE-17 TP	チップダイオード		01
△ D130	VV463000	DIODE (CHIP)	D1FL20U-5063	チップダイオード		01
D133	VS59760R	DIODE (CHIP)	RB160L-40 TE25 TP	チップダイオード		01
* D134	VU173700	ZENER DIODE	UDZS30B TE-17 30V	ツェナーダイオード		
* D135	VU173700	ZENER DIODE	UDZS30B TE-17 30V	ツェナーダイオード		
D136	VU17330R	ZENER DIODE	UDZS20B TE-17 20V	ツェナーダイオード		01
D137	VT332900	DIODE (CHIP)	1SS355 TE-17 TP	チップダイオード		01
* D138	VU173700	ZENER DIODE	UDZS30B TE-17 30V	ツェナーダイオード		
* D139	VU173700	ZENER DIODE	UDZS30B TE-17 30V	ツェナーダイオード		
D140	VU17330R	ZENER DIODE	UDZS20B TE-17 20V	ツェナーダイオード		01
D141	VT332900	DIODE (CHIP)	1SS355 TE-17 TP	チップダイオード		01
D143	VT332900	DIODE (CHIP)	1SS355 TE-17 TP	チップダイオード		01
D144	VV463000	DIODE (CHIP)	D1FL20U-5063	チップダイオード		01
D145	VT332900	DIODE (CHIP)	1SS355 TE-17 TP	チップダイオード		01
D146	V963430R	SCHOTTKY BARRIER DIODE	RB551V-30 TE-17 TE	ショットキダイオード		01
D148	VT332900	DIODE (CHIP)	1SS355 TE-17 TP	チップダイオード		01
D149	VT332900	DIODE (CHIP)	1SS355 TE-17 TP	チップダイオード		01
D150	VU17200R	ZENER DIODE	UDZS5.6BTE-17 5.6V	ツェナーダイオード		01
D151	VU172600	ZENER DIODE	UDZS10B TE-17 10V	ツェナーダイオード		01
D302	V2376600	SCHOTTKY BARRIER DIODE	RB500V-40 TAPING	ショットキダイオード		01
D302	WJ871600	SCHOTTKY BARRIER DIODE	KDR357-RTK/P	ショットキダイオード		01
D303	V2376600	SCHOTTKY BARRIER DIODE	RB500V-40 TAPING	ショットキダイオード		01
D303	WJ871600	SCHOTTKY BARRIER DIODE	KDR357-RTK/P	ショットキダイオード		01
D304	VU171400	ZENER DIODE	UDZS3.3BTE-17 3.3V	ツェナーダイオード		
D305	WN348700	DIODE	CRH01 (TE85L,Q)	ダイオード		
D306	WN348700	DIODE	CRH01 (TE85L,Q)	ダイオード		
D307	VU172900	ZENER DIODE	UDZS13B TE-17 13V	ツェナーダイオード		01
D308	V2376600	SCHOTTKY BARRIER DIODE	RB500V-40 TAPING	ショットキダイオード		01
D309	V2376600	SCHOTTKY BARRIER DIODE	RB500V-40 TAPING	ショットキダイオード		01
D310	V963430R	SCHOTTKY BARRIER DIODE	RB551V-30 TE-17 TE	ショットキダイオード		01
-313	V963430R	SCHOTTKY BARRIER DIODE	RB551V-30 TE-17 TE	ショットキダイオード		01
D401	VT332900	DIODE (CHIP)	1SS355 TE-17 TP	チップダイオード		01
D402	V2376600	SCHOTTKY BARRIER DIODE	RB500V-40 TAPING	ショットキダイオード		01
D402	WJ871600	SCHOTTKY BARRIER DIODE	KDR357-RTK/P	ショットキダイオード		01
D403	V2376600	SCHOTTKY BARRIER DIODE	RB500V-40 TAPING	ショットキダイオード		01
D403	WJ871600	SCHOTTKY BARRIER DIODE	KDR357-RTK/P	ショットキダイオード		01
D404	VU171400	ZENER DIODE	UDZS3.3BTE-17 3.3V	ツェナーダイオード		
D405	WN348700	DIODE	CRH01 (TE85L,Q)	ダイオード		
D406	WN348700	DIODE	CRH01 (TE85L,Q)	ダイオード		
D407	VU172900	ZENER DIODE	UDZS13B TE-17 13V	ツェナーダイオード		01
D408	V2376600	SCHOTTKY BARRIER DIODE	RB500V-40 TAPING	ショットキダイオード		01
D409	V2376600	SCHOTTKY BARRIER DIODE	RB500V-40 TAPING	ショットキダイオード		01
D410	V963430R	SCHOTTKY BARRIER DIODE	RB551V-30 TE-17 TE	ショットキダイオード		01
-413	V963430R	SCHOTTKY BARRIER DIODE	RB551V-30 TE-17 TE	ショットキダイオード		01
* IC101	YD135A00	IC	UCC2893PWR	I C	PWM CONTROLLER	
IC102	X3532A0R	IC	NJM78L12UA(TE1)	I C	REGULATOR +12V	01
IC103	YC589A00	IC	MM1431ANRE	I C	REGULATOR	01
IC106	XJ598A0R	IC	NJM78L05UA-TE1	I C	REGULATOR +5V	02
IC108	XN242A0R	IC	TJ74HC123AF	I C	SINGLE SHOT	02
IC111	X4368A0R	IC	NJM78M20DL1A(TE1)	I C	REGULATOR +20V	02
L104	WH559500	CHIP INDUCTANCE	BLM18PG471SN1D	チップインダクタ		01
L105	WH559500	CHIP INDUCTANCE	BLM18PG471SN1D	チップインダクタ		01
L108	WT881500	COIL INDUCTOR (CHIP)	100U LQH43MN101J03	チップインダクタ		
L110	WT881500	COIL INDUCTOR (CHIP)	100U LQH43MN101J03	チップインダクタ		
-112	WT881500	COIL INDUCTOR (CHIP)	100U LQH43MN101J03	チップインダクタ		

*: New Parts

RANK: Japan only

AMPS

REF NO.	PART NO.	DESCRIPTION	部 品 名	REMARKS	QTY	RANK
L113	WR604800	COIL INDUCTOR (CHIP)	1000U 7E10Q-102M-R	チップインダクタ		
L251	WT893600	COIL INDUCTOR (CHIP)	BLM18BD252SN1D	チップインダクタ		
L304	V3232700	CHIP INDUCTANCE	120U	チップインダクタ		01
L404	V3232700	CHIP INDUCTANCE	120U	チップインダクタ		01
Q105	VV556400	TRANSISTOR	2SC2412K Q,R,S TP	トランジスタ		01
Q105	WC529400	TRANSISTOR	KTC3875S-Y,GR-RTK	トランジスタ		01
Q108	V742170R	TRANSISTOR	2SC3324-GR,BL(TE85)	チップトランジスタ		01
Q113	VZ42790R	FET	2SJ278MYTR-E	F E T		01
Q114	WN072100	FET	RTF015N03TL TE	F E T		01
* Q114	ZC299700	FET	SI1304BDL-T1-GE3	F E T		
Q115	V742170R	TRANSISTOR	2SC3324-GR,BL(TE85)	チップトランジスタ		01
Q115	WC139600	TRANSISTOR	KTC3911S-GR-RTK/P	トランジスタ		01
Q117	VV655400	DIGITAL TRANSISTOR	DTC114EKA TP	デジタルトランジスタ		01
Q117	WC435000	DIGITAL TRANSISTOR	KRC102S-RTK/P	デジタルトランジスタ		01
Q118	VV556400	TRANSISTOR	2SC2412K Q,R,S TP	トランジスタ		01
Q118	WC529400	TRANSISTOR	KTC3875S-Y,GR-RTK	トランジスタ		01
Q119	WN072100	FET	RTF015N03TL TE	F E T		01
* Q119	ZC299700	FET	SI1304BDL-T1-GE3	F E T		
Q120	VV556400	TRANSISTOR	2SC2412K Q,R,S TP	トランジスタ		01
Q120	WC529400	TRANSISTOR	KTC3875S-Y,GR-RTK	トランジスタ		01
Q254	VD303700	TRANSISTOR	2SC3326 -A,B(TE85R)	トランジスタ 2 S C		01
-257	VD303700	TRANSISTOR	2SC3326 -A,B(TE85R)	トランジスタ 2 S C		01
Q254	WC883401	TRANSISTOR	2SD2704 K TP	トランジスタ 2 S D		01
-257	WC883401	TRANSISTOR	2SD2704 K TP	トランジスタ 2 S D		01
Q254	WH372200	TRANSISTOR	KTC2875-B TP	トランジスタ		01
-257	WH372200	TRANSISTOR	KTC2875-B TP	トランジスタ		01
Q258	WC529500	TRANSISTOR	KTA1504S-Y,GR-RTK	トランジスタ		
Q259	VV655700	DIGITAL TRANSISTOR	DTC144EKA TP	デジタルトランジスタ		01
Q259	WC435100	DIGITAL TRANSISTOR	KRC104S-RTK/P	デジタルトランジスタ		01
Q260	VV655700	DIGITAL TRANSISTOR	DTC144EKA TP	デジタルトランジスタ		01
Q260	WC435100	DIGITAL TRANSISTOR	KRC104S-RTK/P	デジタルトランジスタ		01
Q261	WC435000	DIGITAL TRANSISTOR	KRC102S-RTK/P	デジタルトランジスタ		01
Q262	VV655700	DIGITAL TRANSISTOR	DTC144EKA TP	デジタルトランジスタ		01
Q262	WC435100	DIGITAL TRANSISTOR	KRC104S-RTK/P	デジタルトランジスタ		01
Q263	VV655700	DIGITAL TRANSISTOR	DTC144EKA TP	デジタルトランジスタ		01
Q263	WC435100	DIGITAL TRANSISTOR	KRC104S-RTK/P	デジタルトランジスタ		01
Q264	V742170R	TRANSISTOR	2SC3324-GR,BL(TE85)	チップトランジスタ		01
Q264	WC139600	TRANSISTOR	KTC3911S-GR-RTK/P	トランジスタ		01
Q265	VY67760R	DIGITAL TRANSISTOR	DTC123JKA TP	デジタルトランジスタ		01
Q265	WS509200	DIGITAL TRANSISTOR	KRC105S-RTK/P	デジタルトランジスタ		01
Q301	VV556500	TRANSISTOR	2SA1037AK Q,R,S TP	トランジスタ 2 S A		01
Q301	WC529500	TRANSISTOR	KTA1504S-Y,GR-RTK	トランジスタ		
Q302	V7421801	TRANSISTOR	2SA1312-GR,BL(TE85)	トランジスタ 2 S A		01
Q302	WH372100	TRANSISTOR	KTA1517S-GR,BL TP	トランジスタ		01
Q303	WG281900	TRANSISTOR (ARRAY)	HN3A51F(TE85L,F)	トランジスタアレイ		01
Q304	VS056500	TRANSISTOR (ARRAY)	HN1C01F-Y/GR(TE85R)	トランジスタアレイ		01
Q307	WE52750R	TRANSISTOR	2SC3645S/T-TD-E S	トランジスタ 2 S C	To production in 2012/January	01
Q308	WE52750R	TRANSISTOR	2SC3645S/T-TD-E S	トランジスタ 2 S C	All the same parts are used.	01
Q407	WE52750R	TRANSISTOR	2SC3645S/T-TD-E S	トランジスタ 2 S C	R312, R313, R412 and R413	01
Q408	WE52750R	TRANSISTOR	2SC3645S/T-TD-E S	トランジスタ 2 S C	are all 560.0 Ω.	01
* Q307	ZC303000	TRANSISTOR	2SC3648S/T-TD-E S	トランジスタ 2 S C	From production in 2012/January	01
* Q308	ZC303000	TRANSISTOR	2SC3648S/T-TD-E S	トランジスタ 2 S C	All the same parts are used.	01
* Q407	ZC303000	TRANSISTOR	2SC3648S/T-TD-E S	トランジスタ 2 S C	R312, R313, R412 and R413	01
* Q408	ZC303000	TRANSISTOR	2SC3648S/T-TD-E S	トランジスタ 2 S C	are all 470.0 Ω.	01
Q309	WN348500	TRANSISTOR	2SA1362-Y(TE85L,F)	トランジスタ 2 S A		
-312	WN348500	TRANSISTOR	2SA1362-Y(TE85L,F)	トランジスタ 2 S A		
* Q311	ZC766000	TRANSISTOR	KTA1298-O,Y-RTK/P	トランジスタ 2 S A		
* Q312	ZC766000	TRANSISTOR	KTA1298-O,Y-RTK/P	トランジスタ 2 S A		
Q371	WC529400	TRANSISTOR	KTC3875S-Y,GR-RTK	トランジスタ		01
Q372	WC529500	TRANSISTOR	KTA1504S-Y,GR-RTK	トランジスタ		
Q401	VV556500	TRANSISTOR	2SA1037AK Q,R,S TP	トランジスタ 2 S A		01
Q401	WC529500	TRANSISTOR	KTA1504S-Y,GR-RTK	トランジスタ		
Q402	V7421801	TRANSISTOR	2SA1312-GR,BL(TE85)	トランジスタ 2 S A		01
Q402	WH372100	TRANSISTOR	KTA1517S-GR,BL TP	トランジスタ		01
Q403	WG281900	TRANSISTOR (ARRAY)	HN3A51F(TE85L,F)	トランジスタアレイ		01
Q404	VS056500	TRANSISTOR (ARRAY)	HN1C01F-Y/GR(TE85R)	トランジスタアレイ		01
Q409	WN348500	TRANSISTOR	2SA1362-Y(TE85L,F)	トランジスタ 2 S A		
-412	WN348500	TRANSISTOR	2SA1362-Y(TE85L,F)	トランジスタ 2 S A		
* Q411	ZC766000	TRANSISTOR	KTA1298-O,Y-RTK/P	トランジスタ 2 S A		
* Q412	ZC766000	TRANSISTOR	KTA1298-O,Y-RTK/P	トランジスタ 2 S A		

*: New Parts

RANK: Japan only

AMPS

REF NO.	PART NO.	DESCRIPTION	部 品 名	REMARKS	QTY	RANK
* Q415	WQ863800	TRANSISTOR	2SA1721-O(TE85L,F)	チップトランジスタ		
Q415	ZC766200	TRANSISTOR	2SA2026-T112-1	トランジスタ 2 S A		
Q416	V742170R	TRANSISTOR	2SC3324-GR,BL(TE85)	チップトランジスタ		01
Q416	WC139600	TRANSISTOR	KTC3911S-GR-RTK/P	トランジスタ		01
Q472	WC529500	TRANSISTOR	KTA1504S-Y,GR-RTK	トランジスタ		
R115	RD356680	CARBON RESISTOR (CHIP)	6.8K 63M J RECT.	チップ抵抗		01
R118	RD15722R	CARBON RESISTOR (CHIP)	22.0K 1/4 J TP	チップ抵抗		01
R120	RF456470	CARBON RESISTOR (CHIP)	4.7K D RECT.	チップ抵抗		
R121	RF457100	CARBON RESISTOR (CHIP)	10.0K D RECT.	チップ抵抗		
R124	RF457470	CARBON RESISTOR (CHIP)	47.0K D RECT.	チップ抵抗		
R126	RD357220	CARBON RESISTOR (CHIP)	22.0K 63M J RECT.	チップ抵抗		01
R128	RF457680	CARBON RESISTOR (CHIP)	68.0K D RECT.	チップ抵抗		01
R129	RD357680	CARBON RESISTOR (CHIP)	68.0K 63M J RECT.	チップ抵抗		01
R138	RD356220	CARBON RESISTOR (CHIP)	2.2K 63M J RECT.	チップ抵抗		01
R139	RD254100	CARBON RESISTOR (CHIP)	10.0 0.1 J RECT.	チップ抵抗		01
R140	RD156100	CARBON RESISTOR (CHIP)	1.0K 1/4 J TP	チップ抵抗		
R141	RD35347R	CARBON RESISTOR (CHIP)	4.7 63M J RECT.	チップ抵抗		01
R142	RD35347R	CARBON RESISTOR (CHIP)	4.7 63M J RECT.	チップ抵抗		01
R143	RD15710R	CARBON RESISTOR (CHIP)	10.0K 1/4 J TP	チップ抵抗		01
R144	RD35347R	CARBON RESISTOR (CHIP)	4.7 63M J RECT.	チップ抵抗		01
-146	RD35347R	CARBON RESISTOR (CHIP)	4.7 63M J RECT.	チップ抵抗		01
R147	RD357220	CARBON RESISTOR (CHIP)	22.0K 63M J RECT.	チップ抵抗		01
R160	RD356100	CARBON RESISTOR (CHIP)	1.0K 63M J RECT.	チップ抵抗		01
* R162	WY233500	CARBON RESISTOR (CHIP)	15.0K 1W 1%:F 5025	チップ抵抗		
R164	RD356330	CARBON RESISTOR (CHIP)	3.3K 63M J RECT.	チップ抵抗		01
R165	RD356390	CARBON RESISTOR (CHIP)	3.9K 63M J RECT.	チップ抵抗		01
* R166	WW149700	CARBON RESISTOR (CHIP)	5.6K 1W 1%:F 5025	チップ抵抗		
R167	RF455100	CARBON RESISTOR (CHIP)	100.0 D RECT.	チップ抵抗		
R175	RF457100	CARBON RESISTOR (CHIP)	10.0K D RECT.	チップ抵抗		
R176	RD357150	CARBON RESISTOR (CHIP)	15.0K 63M J RECT.	チップ抵抗		01
R188	RD357100	CARBON RESISTOR (CHIP)	10.0K 63M J RECT.	チップ抵抗		01
* R196	WY234600	CARBON RESISTOR (CHIP)	120.0 1/4 1%:F 322	チップ抵抗		
R200	RD356680	CARBON RESISTOR (CHIP)	6.8K 63M J RECT.	チップ抵抗		01
R201	RD356100	CARBON RESISTOR (CHIP)	1.0K 63M J RECT.	チップ抵抗		01
-204	RD356100	CARBON RESISTOR (CHIP)	1.0K 63M J RECT.	チップ抵抗		01
R207	RD358220	CARBON RESISTOR (CHIP)	220.0K 63M J RECT.	チップ抵抗		01
R208	RD358100	CARBON RESISTOR (CHIP)	100.0K 63M J RECT.	チップ抵抗		01
R209	RD356100	CARBON RESISTOR (CHIP)	1.0K 63M J RECT.	チップ抵抗		01
* R213	WY233200	CARBON RESISTOR (CHIP)	18.0K 1W 1%:F 5025	チップ抵抗		
* R215	WY553900	CARBON RESISTOR (CHIP)	220 1W 1%:F 5025	チップ抵抗		
* R216	WY338900	CARBON RESISTOR (CHIP)	330.0 1W 1%:F 5025	チップ抵抗		
* R217	WY881800	CARBON RESISTOR (CHIP)	5.6K 2W 5%:J 6432	チップ抵抗		
* -219	WY881800	CARBON RESISTOR (CHIP)	5.6K 2W 5%:J 6432	チップ抵抗		
R221	RD357100	CARBON RESISTOR (CHIP)	10.0K 63M J RECT.	チップ抵抗		01
R222	RD357100	CARBON RESISTOR (CHIP)	10.0K 63M J RECT.	チップ抵抗		01
R224	RF456820	CARBON RESISTOR (CHIP)	8.2K D RECT.	チップ抵抗		
R225	RF456820	CARBON RESISTOR (CHIP)	8.2K D RECT.	チップ抵抗		
R226	RF456560	CARBON RESISTOR (CHIP)	5.6K D RECT.	チップ抵抗		
R227	RF455330	CARBON RESISTOR (CHIP)	330.0 D RECT.	チップ抵抗		
R253	RF455220	CARBON RESISTOR (CHIP)	220.0 D RECT.	チップ抵抗		
-256	RF455220	CARBON RESISTOR (CHIP)	220.0 D RECT.	チップ抵抗		
R263	RD358100	CARBON RESISTOR (CHIP)	100.0K 63M J RECT.	チップ抵抗		01
-265	RD358100	CARBON RESISTOR (CHIP)	100.0K 63M J RECT.	チップ抵抗		01
R266	RD35747R	CARBON RESISTOR (CHIP)	47.0K 63M J RECT.	チップ抵抗		01
R268	RD358100	CARBON RESISTOR (CHIP)	100.0K 63M J RECT.	チップ抵抗		01
R269	RD357220	CARBON RESISTOR (CHIP)	22.0K 63M J RECT.	チップ抵抗		01
R270	RD357220	CARBON RESISTOR (CHIP)	22.0K 63M J RECT.	チップ抵抗		01
R309	RD357270	CARBON RESISTOR (CHIP)	27.0K 63M J RECT.	チップ抵抗		01
R325	RD35410R	CARBON RESISTOR (CHIP)	10.0 63M J RECT.	チップ抵抗		01
R328	RD355390	CARBON RESISTOR (CHIP)	390.0 63M J RECT.	チップ抵抗		01
R329	RD355390	CARBON RESISTOR (CHIP)	390.0 63M J RECT.	チップ抵抗		01
R330	RD355100	CARBON RESISTOR (CHIP)	100.0 63M J RECT.	チップ抵抗		01
-333	RD355100	CARBON RESISTOR (CHIP)	100.0 63M J RECT.	チップ抵抗		01
R336	RD155680	CARBON RESISTOR (CHIP)	680.0 1/4 J TP	チップ抵抗		01
-339	RD155680	CARBON RESISTOR (CHIP)	680.0 1/4 J TP	チップ抵抗		01
R340	RD35347R	CARBON RESISTOR (CHIP)	4.7 63M J RECT.	チップ抵抗		01
-343	RD35347R	CARBON RESISTOR (CHIP)	4.7 63M J RECT.	チップ抵抗		01
R378	RD357330	CARBON RESISTOR (CHIP)	33.0K 63M J RECT.	チップ抵抗		01
R409	RD357270	CARBON RESISTOR (CHIP)	27.0K 63M J RECT.	チップ抵抗		01
R425	RD35410R	CARBON RESISTOR (CHIP)	10.0 63M J RECT.	チップ抵抗		01

*: New Parts

RANK: Japan only

AMPS

REF NO.	PART NO.	DESCRIPTION		部 品 名	REMARKS	QTY	RANK
R426	RF456330	CARBON RESISTOR (CHIP)	3.3K D RECT.	チ ッ プ 抵 抗			
R427	RF456330	CARBON RESISTOR (CHIP)	3.3K D RECT.	チ ッ プ 抵 抗			
R428	RD355390	CARBON RESISTOR (CHIP)	390.0 63M J RECT.	チ ッ プ 抵 抗			01
R429	RD355390	CARBON RESISTOR (CHIP)	390.0 63M J RECT.	チ ッ プ 抵 抗			01
R430	RD355100	CARBON RESISTOR (CHIP)	100.0 63M J RECT.	チ ッ プ 抵 抗			01
-433	RD355100	CARBON RESISTOR (CHIP)	100.0 63M J RECT.	チ ッ プ 抵 抗			01
R436	RD155680	CARBON RESISTOR (CHIP)	680.0 1/4 J TP	チ ッ プ 抵 抗			01
-439	RD155680	CARBON RESISTOR (CHIP)	680.0 1/4 J TP	チ ッ プ 抵 抗			01
R440	RD35347R	CARBON RESISTOR (CHIP)	4.7 63M J RECT.	チ ッ プ 抵 抗			01
-443	RD35347R	CARBON RESISTOR (CHIP)	4.7 63M J RECT.	チ ッ プ 抵 抗			01
R448	RF456100	CARBON RESISTOR (CHIP)	1.0K D RECT.	チ ッ プ 抵 抗			
R449	RF455100	CARBON RESISTOR (CHIP)	100.0 D RECT.	チ ッ プ 抵 抗			
R450	RF456100	CARBON RESISTOR (CHIP)	1.0K D RECT.	チ ッ プ 抵 抗			
* R451	RD157680	CARBON RESISTOR (CHIP)	68.0K 1/4 J TP	チ ッ プ 抵 抗			
RA251	WH205800	RESISTOR ARRAY	33 X 4	抵 抗 ア レ イ			01
-253	WH205800	RESISTOR ARRAY	33 X 4	抵 抗 ア レ イ			01
TH301	WU822600	THERMISTOR	LP732BTTE102J5000	サ ー ミ ス タ			
TH401	WU822600	THERMISTOR	LP732BTTE102J5000	サ ー ミ ス タ			
* VR101	WY884200	VR TRIMMER	B 100.0 FUSE 3P VG	半 固 定 V R			
* VR102	WY884300	VR TRIMMER	B 100K FUSE 3P VG	半 固 定 V R			
C108	WE52760R	ELECTROLYTIC CAPACITOR	1.00 400.0V TATETE	ケ ミ コ ン V K			01
C125	UR838470	ELECTROLYTIC CAPACITOR	470.00 16.0V RX TP	ケ ミ コ ン			01
FH101	WN103000	FUSE HOLDER R	CLIP TP00351-31	ヒ ュ ー ズ ク リ ッ プ			01
FH102	WN103000	FUSE HOLDER R	CLIP TP00351-31	ヒ ュ ー ズ ク リ ッ プ			01
K101	VR463400	EYELET TERMINAL	D3.5 TP00385 TP	ア ー ス 端 子			01
L101	GE300670	FERRIT BEAD	BL02RN2R1P1A TATET	フ ェ ラ イ ト ビ ー ズ			02
L102	GE300670	FERRIT BEAD	BL02RN2R1P1A TATET	フ ェ ラ イ ト ビ ー ズ			02
L107	GE300670	FERRIT BEAD	BL02RN2R1P1A TATET	フ ェ ラ イ ト ビ ー ズ			02
L109	GE300670	FERRIT BEAD	BL02RN2R1P1A TATET	フ ェ ラ イ ト ビ ー ズ			02
L301	GE300670	FERRIT BEAD	BL02RN2R1P1A TATET	フ ェ ラ イ ト ビ ー ズ			02
L302	GE300670	FERRIT BEAD	BL02RN2R1P1A TATET	フ ェ ラ イ ト ビ ー ズ			02
C104	V754500R	MONOLITHIC CERAMIC CAP(CHIP)	0.022 250V K RECT.	チ ッ プ 積 層 セ ラ コ ン			01
C106	V754500R	MONOLITHIC CERAMIC CAP(CHIP)	0.022 250V K RECT.	チ ッ プ 積 層 セ ラ コ ン			01
C107	V754500R	MONOLITHIC CERAMIC CAP(CHIP)	0.022 250V K RECT.	チ ッ プ 積 層 セ ラ コ ン			01
C109	V754500R	MONOLITHIC CERAMIC CAP(CHIP)	0.022 250V K RECT.	チ ッ プ 積 層 セ ラ コ ン			01
C112	US062100	CERAMIC CAPACITOR (CHIP)	100P 50V J RECT.	チ ッ プ セ ラ (S L)			01
C127	WG863700	MONOLITHIC CERAMIC CAP(CHIP)	1.0 50V B RX TP	チ ッ プ 積 層 セ ラ コ ン			01
C128	WG863700	MONOLITHIC CERAMIC CAP(CHIP)	1.0 50V B RX TP	チ ッ プ 積 層 セ ラ コ ン			01
C129	WJ592700	MONOLITHIC CERAMIC CAP(CHIP)	100P 250V J KAKUTE	チ ッ プ 積 層 セ ラ コ ン			01
* C134	WK765900	MONOLITHIC CERAMIC CAP(CHIP)	150P 1000V J TE	チ ッ プ 積 層 セ ラ コ ン			01
* C135	WK765900	MONOLITHIC CERAMIC CAP(CHIP)	150P 1000V J TE	チ ッ プ 積 層 セ ラ コ ン			01
C145	WJ592700	MONOLITHIC CERAMIC CAP(CHIP)	100P 250V J KAKUTE	チ ッ プ 積 層 セ ラ コ ン			01
C146	WJ592700	MONOLITHIC CERAMIC CAP(CHIP)	100P 250V J KAKUTE	チ ッ プ 積 層 セ ラ コ ン			01
C153	WJ592700	MONOLITHIC CERAMIC CAP(CHIP)	100P 250V J KAKUTE	チ ッ プ 積 層 セ ラ コ ン			01
C156	US061220	CERAMIC CAPACITOR (CHIP)	22P 50V J RECT.	チ ッ プ セ ラ (C H)			01
C159	US063100	CERAMIC CAPACITOR (CHIP)	1000P 50V K RECT.	チ ッ プ セ ラ (B)			01
C161	US063100	CERAMIC CAPACITOR (CHIP)	1000P 50V K RECT.	チ ッ プ セ ラ (B)			01
C163	US063100	CERAMIC CAPACITOR (CHIP)	1000P 50V K RECT.	チ ッ プ セ ラ (B)			01
C190	US046100	CERAMIC CAPACITOR (CHIP)	1.00 25V K RECT.	チ ッ プ セ ラ (B)			01
C251	WU447000	CERAMIC CAPACITOR (CHIP)	0.1000 50V K RECT.	チ ッ プ セ ラ (B)			01
C253	WU447000	CERAMIC CAPACITOR (CHIP)	0.1000 50V K RECT.	チ ッ プ セ ラ (B)			01
C256	WU447000	CERAMIC CAPACITOR (CHIP)	0.1000 50V K RECT.	チ ッ プ セ ラ (B)			01
* C303	WW772100	CERAMIC CAPACITOR (CHIP)	3900P 50V J 1608 T	チ ッ プ セ ラ			
* C304	WW772100	CERAMIC CAPACITOR (CHIP)	3900P 50V J 1608 T	チ ッ プ セ ラ			
C305	US063100	CERAMIC CAPACITOR (CHIP)	1000P 50V K RECT.	チ ッ プ セ ラ (B)			01
C306	US063100	CERAMIC CAPACITOR (CHIP)	1000P 50V K RECT.	チ ッ プ セ ラ (B)			01
C307	WQ090100	MONOLITHIC CERAMIC CAP(CHIP)	220P 100V J KAKUTE	チ ッ プ 積 層 セ ラ コ ン			01
C308	WQ090100	MONOLITHIC CERAMIC CAP(CHIP)	220P 100V J KAKUTE	チ ッ プ 積 層 セ ラ コ ン			01
C309	WU447000	CERAMIC CAPACITOR (CHIP)	0.1000 50V K RECT.	チ ッ プ セ ラ (B)			01
C318	WJ592700	MONOLITHIC CERAMIC CAP(CHIP)	100P 250V J KAKUTE	チ ッ プ 積 層 セ ラ コ ン			01
C319	WJ592700	MONOLITHIC CERAMIC CAP(CHIP)	100P 250V J KAKUTE	チ ッ プ 積 層 セ ラ コ ン			01
C321	US064100	CERAMIC CAPACITOR (CHIP)	0.0100 50V K RECT.	チ ッ プ セ ラ (B)			01
C322	US064100	CERAMIC CAPACITOR (CHIP)	0.0100 50V K RECT.	チ ッ プ セ ラ (B)			01
C323	VZ420800	MONOLITHIC CERAMIC CAP(CHIP)	0.100 100V K RECT.	チ ッ プ 積 層 セ ラ コ ン			01
-328	VZ420800	MONOLITHIC CERAMIC CAP(CHIP)	0.100 100V K RECT.	チ ッ プ 積 層 セ ラ コ ン			01
* C403	WW772100	CERAMIC CAPACITOR (CHIP)	3900P 50V J 1608 T	チ ッ プ セ ラ			
* C404	WW772100	CERAMIC CAPACITOR (CHIP)	3900P 50V J 1608 T	チ ッ プ セ ラ			
C405	US063100	CERAMIC CAPACITOR (CHIP)	1000P 50V K RECT.	チ ッ プ セ ラ (B)			01
C406	US063100	CERAMIC CAPACITOR (CHIP)	1000P 50V K RECT.	チ ッ プ セ ラ (B)			01
C407	WQ090100	MONOLITHIC CERAMIC CAP(CHIP)	220P 100V J KAKUTE	チ ッ プ 積 層 セ ラ コ ン			01

*: New Parts

RANK: Japan only

AMPS

REF NO.	PART NO.	DESCRIPTION	部 品 名	REMARKS	QTY	RANK
C408	WQ090100	MONOLITHIC CERAMIC CAP(CHIP)	220P 100V J KAKUTE	チップ積層セラコン		01
C409	WU447000	CERAMIC CAPACITOR (CHIP)	0.1000 50V K RECT.	チップセラ(B)		01
C412	WM490200	MONOLITHIC CERAMIC CAP(CHIP)	0.470 50V K 2012	チップ積層セラコン		01
C418	WJ592700	MONOLITHIC CERAMIC CAP(CHIP)	100P 250V J KAKUTE	チップ積層セラコン		01
C419	WJ592700	MONOLITHIC CERAMIC CAP(CHIP)	100P 250V J KAKUTE	チップ積層セラコン		01
C423	VZ420800	MONOLITHIC CERAMIC CAP(CHIP)	0.100 100V K RECT.	チップ積層セラコン		01
-428	VZ420800	MONOLITHIC CERAMIC CAP(CHIP)	0.100 100V K RECT.	チップ積層セラコン		01
D113	VV463000	DIODE (CHIP)	D1FL20U-5063	チップダイオード		01
D117	VV463000	DIODE (CHIP)	D1FL20U-5063	チップダイオード		01
D118	VV463000	DIODE (CHIP)	D1FL20U-5063	チップダイオード		01
D124	VV463000	DIODE (CHIP)	D1FL20U-5063	チップダイオード		01
D132	VU172900	ZENER DIODE	UDZS13B TE-17 13V	ツェナーダイオード		01
D251	VS20110R	DIODE (CHIP)	D1F60 1A 600V TP	チップダイオード		01
D301	VT332900	DIODE (CHIP)	1SS355 TE-17 TP	チップダイオード		01
* PR101	WZ398700	THERMISTOR	PRF18BB471RB5RB	サーミスタ		01
Q101	VV655400	DIGITAL TRANSISTOR	DTC114EKA TP	デジタルトランジスタ		01
Q101	WC435000	DIGITAL TRANSISTOR	KRC102S-RTK/P	デジタルトランジスタ		01
Q103	VV655000	DIGITAL TRANSISTOR	DTA114EKA TP	デジタルトランジスタ		01
Q103	WC434800	DIGITAL TRANSISTOR	KRA102S-RTK/P	デジタルトランジスタ		01
Q104	VV655400	DIGITAL TRANSISTOR	DTC114EKA TP	デジタルトランジスタ		01
Q104	WC435000	DIGITAL TRANSISTOR	KRC102S-RTK/P	デジタルトランジスタ		01
Q109	VV556400	TRANSISTOR	2SC2412K Q,R,S TP	トランジスタ		01
Q109	WC529400	TRANSISTOR	KTC3875S-Y,GR-RTK	トランジスタ		01
Q110	VV556400	TRANSISTOR	2SC2412K Q,R,S TP	トランジスタ		01
Q110	WC529400	TRANSISTOR	KTC3875S-Y,GR-RTK	トランジスタ		01
Q112	VV556400	TRANSISTOR	2SC2412K Q,R,S TP	トランジスタ		01
Q112	WC529400	TRANSISTOR	KTC3875S-Y,GR-RTK	トランジスタ		01
Q116	VV556400	TRANSISTOR	2SC2412K Q,R,S TP	トランジスタ		01
Q116	WC529400	TRANSISTOR	KTC3875S-Y,GR-RTK	トランジスタ		01
Q251	WC435000	DIGITAL TRANSISTOR	KRC102S-RTK/P	デジタルトランジスタ		01
Q252	VV655700	DIGITAL TRANSISTOR	DTC144EKA TP	デジタルトランジスタ		01
Q252	WC435100	DIGITAL TRANSISTOR	KRC104S-RTK/P	デジタルトランジスタ		01
Q253	VV655300	DIGITAL TRANSISTOR	DTA144EKA TP	デジタルトランジスタ		01
Q253	WC434900	DIGITAL TRANSISTOR	KRA104S-RTK/P	デジタルトランジスタ		01
Q305	VV556400	TRANSISTOR	2SC2412K Q,R,S TP	トランジスタ		01
Q305	WC529400	TRANSISTOR	KTC3875S-Y,GR-RTK	トランジスタ		01
Q306	VV556400	TRANSISTOR	2SC2412K Q,R,S TP	トランジスタ		01
Q306	WC529400	TRANSISTOR	KTC3875S-Y,GR-RTK	トランジスタ		01
Q315	WQ863800	TRANSISTOR	2SA1721-O(TE85L,F)	チップトランジスタ		01
* Q315	ZC766200	TRANSISTOR	2SA2026-T112-1	トランジスタ 2SA		01
Q316	V742170R	TRANSISTOR	2SC3324-GR,BL(TE85)	チップトランジスタ		01
Q316	WC139600	TRANSISTOR	KTC3911S-GR-RTK/P	トランジスタ		01
Q373	WC529400	TRANSISTOR	KTC3875S-Y,GR-RTK	トランジスタ		01
Q374	WC529400	TRANSISTOR	KTC3875S-Y,GR-RTK	トランジスタ		01
Q405	VV556400	TRANSISTOR	2SC2412K Q,R,S TP	トランジスタ		01
Q405	WC529400	TRANSISTOR	KTC3875S-Y,GR-RTK	トランジスタ		01
Q406	VV556400	TRANSISTOR	2SC2412K Q,R,S TP	トランジスタ		01
Q406	WC529400	TRANSISTOR	KTC3875S-Y,GR-RTK	トランジスタ		01
Q471	WC529400	TRANSISTOR	KTC3875S-Y,GR-RTK	トランジスタ		01
R105	RD15510R	CARBON RESISTOR (CHIP)	100.0 1/4 J TP	チップ抵抗		01
* R106	WW936700	CARBON RESISTOR (CHIP)	120.0K 1/4 1%:F 32	チップ抵抗		01
* -108	WW936700	CARBON RESISTOR (CHIP)	120.0K 1/4 1%:F 32	チップ抵抗		01
R109	RF457560	CARBON RESISTOR (CHIP)	56.0K D RECT.	チップ抵抗		01
R110	RF457560	CARBON RESISTOR (CHIP)	56.0K D RECT.	チップ抵抗		01
R111	RF457100	CARBON RESISTOR (CHIP)	10.0K D RECT.	チップ抵抗		01
R112	RF457330	CARBON RESISTOR (CHIP)	33.0K D RECT.	チップ抵抗		01
R113	RD15710R	CARBON RESISTOR (CHIP)	10.0K 1/4 J TP	チップ抵抗		01
R114	RD15722R	CARBON RESISTOR (CHIP)	22.0K 1/4 J TP	チップ抵抗		01
R119	RD35422R	CARBON RESISTOR (CHIP)	22.0 63M J RECT.	チップ抵抗		01
R122	RD358120	CARBON RESISTOR (CHIP)	120.0K 63M J RECT.	チップ抵抗		01
R123	RD358120	CARBON RESISTOR (CHIP)	120.0K 63M J RECT.	チップ抵抗		01
R125	RF45739R	CARBON RESISTOR (CHIP)	39.0K D RECT.	チップ抵抗		01
R127	RF455820	CARBON RESISTOR (CHIP)	820.0 D RECT.	チップ抵抗		01
* R130	WW162000	CARBON RESISTOR (CHIP)	82.0K 1/2W 1%:F 32	チップ抵抗		01
* -132	WW162000	CARBON RESISTOR (CHIP)	82.0K 1/2W 1%:F 32	チップ抵抗		01
R133	RF456150	CARBON RESISTOR (CHIP)	1.5K D RECT.	チップ抵抗		01
R134	RD258330	CARBON RESISTOR (CHIP)	330.0K 0.1 J RECT.	チップ抵抗		01
-137	RD258330	CARBON RESISTOR (CHIP)	330.0K 0.1 J RECT.	チップ抵抗		01
* R148	WY235200	CARBON RESISTOR (CHIP)	0.051 1W 1%:F 5025	チップ抵抗		01
* R149	WY235300	CARBON RESISTOR (CHIP)	0.068 1W 1%:F 5025	チップ抵抗		01

*: New Parts

RANK: Japan only

AMPS

REF NO.	PART NO.	DESCRIPTION	部 品 名	REMARKS	QTY	RANK
* R150	WY235200	CARBON RESISTOR (CHIP)	0.051 1W 1%:F 5025	チ ッ プ 抵 抗		
* R151	WY235300	CARBON RESISTOR (CHIP)	0.068 1W 1%:F 5025	チ ッ プ 抵 抗		
R152	RD355100	CARBON RESISTOR (CHIP)	100.0 63M J RECT.	チ ッ プ 抵 抗		01
R153	RD250000	CARBON RESISTOR (CHIP)	0.0 0.0 J RECT.	チ ッ プ 抵 抗		01
* R154	WW980200	CARBON RESISTOR (CHIP)	47.0 1W 5%:J 5025	チ ッ プ 抵 抗		
* R155	WW980200	CARBON RESISTOR (CHIP)	47.0 1W 5%:J 5025	チ ッ プ 抵 抗		
* R156	WW149400	CARBON RESISTOR (CHIP)	220 1W 5%:J 5025	チ ッ プ 抵 抗		
* -159	WW149400	CARBON RESISTOR (CHIP)	220 1W 5%:J 5025	チ ッ プ 抵 抗		
R161	RD356220	CARBON RESISTOR (CHIP)	2.2K 63M J RECT.	チ ッ プ 抵 抗		01
R163	RF455390	CARBON RESISTOR (CHIP)	390.0 D RECT.	チ ッ プ 抵 抗		01
R168	RD356150	CARBON RESISTOR (CHIP)	1.5K 63M J RECT.	チ ッ プ 抵 抗		01
R169	RD15510R	CARBON RESISTOR (CHIP)	100.0 1/4 J TP	チ ッ プ 抵 抗		01
R170	RD15510R	CARBON RESISTOR (CHIP)	100.0 1/4 J TP	チ ッ プ 抵 抗		01
R171	RD355100	CARBON RESISTOR (CHIP)	100.0 63M J RECT.	チ ッ プ 抵 抗		01
R172	RD35422R	CARBON RESISTOR (CHIP)	22.0 63M J RECT.	チ ッ プ 抵 抗		01
R173	RD356220	CARBON RESISTOR (CHIP)	2.2K 63M J RECT.	チ ッ プ 抵 抗		01
R177	RD357100	CARBON RESISTOR (CHIP)	10.0K 63M J RECT.	チ ッ プ 抵 抗		01
R178	RD35347R	CARBON RESISTOR (CHIP)	4.7 63M J RECT.	チ ッ プ 抵 抗		01
R179	RD35518R	CARBON RESISTOR (CHIP)	180.0 63M J RECT.	チ ッ プ 抵 抗		01
R180	RD358100	CARBON RESISTOR (CHIP)	100.0K 63M J RECT.	チ ッ プ 抵 抗		01
R181	RD357100	CARBON RESISTOR (CHIP)	10.0K 63M J RECT.	チ ッ プ 抵 抗		01
R182	RD356100	CARBON RESISTOR (CHIP)	1.0K 63M J RECT.	チ ッ プ 抵 抗		01
R183	RD358100	CARBON RESISTOR (CHIP)	100.0K 63M J RECT.	チ ッ プ 抵 抗		01
R184	RD357100	CARBON RESISTOR (CHIP)	10.0K 63M J RECT.	チ ッ プ 抵 抗		01
R185	RD356100	CARBON RESISTOR (CHIP)	1.0K 63M J RECT.	チ ッ プ 抵 抗		01
R186	RD350001	CARBON RESISTOR (CHIP)	0 63M J RECT.	チ ッ プ 抵 抗		01
R190	RD358100	CARBON RESISTOR (CHIP)	100.0K 63M J RECT.	チ ッ プ 抵 抗		01
R191	RD358100	CARBON RESISTOR (CHIP)	100.0K 63M J RECT.	チ ッ プ 抵 抗		01
R193	RD356100	CARBON RESISTOR (CHIP)	1.0K 63M J RECT.	チ ッ プ 抵 抗		01
R194	RD355100	CARBON RESISTOR (CHIP)	100.0 63M J RECT.	チ ッ プ 抵 抗		01
R197	RD356100	CARBON RESISTOR (CHIP)	1.0K 63M J RECT.	チ ッ プ 抵 抗		01
R198	RF456100	CARBON RESISTOR (CHIP)	1.0K D RECT.	チ ッ プ 抵 抗		
R199	RF458100	CARBON RESISTOR (CHIP)	100.0K D RECT.	チ ッ プ 抵 抗		
R205	RD357100	CARBON RESISTOR (CHIP)	10.0K 63M J RECT.	チ ッ プ 抵 抗		01
R210	RF456470	CARBON RESISTOR (CHIP)	4.7K D RECT.	チ ッ プ 抵 抗		
* R211	WY235200	CARBON RESISTOR (CHIP)	0.051 1W 1%:F 5025	チ ッ プ 抵 抗		
* R212	WY235300	CARBON RESISTOR (CHIP)	0.068 1W 1%:F 5025	チ ッ プ 抵 抗		
R214	RF45556R	CARBON RESISTOR (CHIP)	560.0 D RECT.	チ ッ プ 抵 抗		
R220	RD356180	CARBON RESISTOR (CHIP)	1.8K 63M J RECT.	チ ッ プ 抵 抗		01
R223	RD357100	CARBON RESISTOR (CHIP)	10.0K 63M J RECT.	チ ッ プ 抵 抗		01
R233	RF458100	CARBON RESISTOR (CHIP)	100.0K D RECT.	チ ッ プ 抵 抗		
R251	RD357220	CARBON RESISTOR (CHIP)	22.0K 63M J RECT.	チ ッ プ 抵 抗		01
R252	RF456220	CARBON RESISTOR (CHIP)	2.2K D RECT.	チ ッ プ 抵 抗		
R257	RD35747R	CARBON RESISTOR (CHIP)	47.0K 63M J RECT.	チ ッ プ 抵 抗		01
R258	RD358100	CARBON RESISTOR (CHIP)	100.0K 63M J RECT.	チ ッ プ 抵 抗		01
R259	RD15710R	CARBON RESISTOR (CHIP)	10.0K 1/4 J TP	チ ッ プ 抵 抗		01
-262	RD15710R	CARBON RESISTOR (CHIP)	10.0K 1/4 J TP	チ ッ プ 抵 抗		01
R267	RD35747R	CARBON RESISTOR (CHIP)	47.0K 63M J RECT.	チ ッ プ 抵 抗		01
R273	RD155680	CARBON RESISTOR (CHIP)	680.0 1/4 J TP	チ ッ プ 抵 抗		01
R274	RD155680	CARBON RESISTOR (CHIP)	680.0 1/4 J TP	チ ッ プ 抵 抗		01
R301	RF456150	CARBON RESISTOR (CHIP)	1.5K D RECT.	チ ッ プ 抵 抗		
R302	RF456150	CARBON RESISTOR (CHIP)	1.5K D RECT.	チ ッ プ 抵 抗		
R303	RF457120	CARBON RESISTOR (CHIP)	12.0K D RECT.	チ ッ プ 抵 抗		
-306	RF457120	CARBON RESISTOR (CHIP)	12.0K D RECT.	チ ッ プ 抵 抗		
R307	RF456680	CARBON RESISTOR (CHIP)	6.8K D RECT.	チ ッ プ 抵 抗		
R308	RF456680	CARBON RESISTOR (CHIP)	6.8K D RECT.	チ ッ プ 抵 抗		
R310	RF456100	CARBON RESISTOR (CHIP)	1.0K D RECT.	チ ッ プ 抵 抗		
R311	RF456100	CARBON RESISTOR (CHIP)	1.0K D RECT.	チ ッ プ 抵 抗		
R312	RF45556R	CARBON RESISTOR (CHIP)	560.0 D RECT.	チ ッ プ 抵 抗	To production in 2012/January Circuit using the following transistor Q307, Q308, Q407, Q408 = 2SC3645S	
R313	RF45556R	CARBON RESISTOR (CHIP)	560.0 D RECT.	チ ッ プ 抵 抗		
R412	RF45556R	CARBON RESISTOR (CHIP)	560.0 D RECT.	チ ッ プ 抵 抗	From production in 2012/January Circuit using the following transistor Q307, Q308, Q407, Q408 = 2SC3648S	
R413	RF45556R	CARBON RESISTOR (CHIP)	560.0 D RECT.	チ ッ プ 抵 抗		
R312	RF455470	CARBON RESISTOR (CHIP)	470.0 D RECT.	チ ッ プ 抵 抗		
R313	RF455470	CARBON RESISTOR (CHIP)	470.0 D RECT.	チ ッ プ 抵 抗		
R412	RF455470	CARBON RESISTOR (CHIP)	470.0 D RECT.	チ ッ プ 抵 抗		
R413	RF455470	CARBON RESISTOR (CHIP)	470.0 D RECT.	チ ッ プ 抵 抗		
R314	RD35747R	CARBON RESISTOR (CHIP)	47.0K 63M J RECT.	チ ッ プ 抵 抗		01
R315	RD355560	CARBON RESISTOR (CHIP)	560.0 63M J RECT.	チ ッ プ 抵 抗		01
R316	RF454330	CARBON RESISTOR (CHIP)	33.0 D RECT.	チ ッ プ 抵 抗		01
R317	RF454330	CARBON RESISTOR (CHIP)	33.0 D RECT.	チ ッ プ 抵 抗		01

*: New Parts

RANK: Japan only

AMPS and DSP

REF NO.	PART NO.	DESCRIPTION		部	品	名	REMARKS	QTY	RANK
R318	RF45527R	CARBON RESISTOR (CHIP)	270.0 D RECT.	チ	ッ	ブ 抵 抗			01
R319	RF45527R	CARBON RESISTOR (CHIP)	270.0 D RECT.	チ	ッ	ブ 抵 抗			01
R320	RF456100	CARBON RESISTOR (CHIP)	1.0K D RECT.	チ	ッ	ブ 抵 抗			
R321	RF456150	CARBON RESISTOR (CHIP)	1.5K D RECT.	チ	ッ	ブ 抵 抗			
R323	RF456100	CARBON RESISTOR (CHIP)	1.0K D RECT.	チ	ッ	ブ 抵 抗			
R324	RD35410R	CARBON RESISTOR (CHIP)	10.0 63M J RECT.	チ	ッ	ブ 抵 抗			01
R326	RF456330	CARBON RESISTOR (CHIP)	3.3K D RECT.	チ	ッ	ブ 抵 抗			
R327	RF456330	CARBON RESISTOR (CHIP)	3.3K D RECT.	チ	ッ	ブ 抵 抗			
R334	RD157680	CARBON RESISTOR (CHIP)	68.0K 1/4 J TP	チ	ッ	ブ 抵 抗			
R335	RD157680	CARBON RESISTOR (CHIP)	68.0K 1/4 J TP	チ	ッ	ブ 抵 抗			
R344	WW770100	CARBON RESISTOR (CHIP)	0.022 1W J 5025	チ	ッ	ブ 抵 抗			
R345	WW770100	CARBON RESISTOR (CHIP)	0.022 1W J 5025	チ	ッ	ブ 抵 抗			
R346	WU822700	CARBON RESISTOR (CHIP)	33.0 1W 5%:J 5025	チ	ッ	ブ 抵 抗			
R347	WU822700	CARBON RESISTOR (CHIP)	33.0 1W 5%:J 5025	チ	ッ	ブ 抵 抗			
R348	RF456100	CARBON RESISTOR (CHIP)	1.0K D RECT.	チ	ッ	ブ 抵 抗			
R349	RF455100	CARBON RESISTOR (CHIP)	100.0 D RECT.	チ	ッ	ブ 抵 抗			
R350	RF456100	CARBON RESISTOR (CHIP)	1.0K D RECT.	チ	ッ	ブ 抵 抗			
R351	RD157680	CARBON RESISTOR (CHIP)	68.0K 1/4 J TP	チ	ッ	ブ 抵 抗			
R352	RD15810R	CARBON RESISTOR (CHIP)	100K 1/4 J TP	チ	ッ	ブ 抵 抗			01
R353	RD157820	CARBON RESISTOR (CHIP)	82.0K 1/4 J TP	チ	ッ	ブ 抵 抗			
R354	RD15710R	CARBON RESISTOR (CHIP)	10.0K 1/4 J TP	チ	ッ	ブ 抵 抗			01
R371	RD357680	CARBON RESISTOR (CHIP)	68.0K 63M J RECT.	チ	ッ	ブ 抵 抗			01
R372	RD357680	CARBON RESISTOR (CHIP)	68.0K 63M J RECT.	チ	ッ	ブ 抵 抗			01
R373	RD357560	CARBON RESISTOR (CHIP)	56.0K 63M J RECT.	チ	ッ	ブ 抵 抗			01
R374	RD357100	CARBON RESISTOR (CHIP)	10.0K 63M J RECT.	チ	ッ	ブ 抵 抗			01
R375	RD357560	CARBON RESISTOR (CHIP)	56.0K 63M J RECT.	チ	ッ	ブ 抵 抗			01
R376	RD358100	CARBON RESISTOR (CHIP)	100.0K 63M J RECT.	チ	ッ	ブ 抵 抗			01
R377	RD356560	CARBON RESISTOR (CHIP)	5.6K 63M J RECT.	チ	ッ	ブ 抵 抗			01
R401	RF456150	CARBON RESISTOR (CHIP)	1.5K D RECT.	チ	ッ	ブ 抵 抗			
R402	RF456150	CARBON RESISTOR (CHIP)	1.5K D RECT.	チ	ッ	ブ 抵 抗			
R403	RF457120	CARBON RESISTOR (CHIP)	12.0K D RECT.	チ	ッ	ブ 抵 抗			
-406	RF457120	CARBON RESISTOR (CHIP)	12.0K D RECT.	チ	ッ	ブ 抵 抗			
R407	RF456680	CARBON RESISTOR (CHIP)	6.8K D RECT.	チ	ッ	ブ 抵 抗			
R408	RF456680	CARBON RESISTOR (CHIP)	6.8K D RECT.	チ	ッ	ブ 抵 抗			
R410	RF456100	CARBON RESISTOR (CHIP)	1.0K D RECT.	チ	ッ	ブ 抵 抗			
R411	RF456100	CARBON RESISTOR (CHIP)	1.0K D RECT.	チ	ッ	ブ 抵 抗			
R414	RD35747R	CARBON RESISTOR (CHIP)	47.0K 63M J RECT.	チ	ッ	ブ 抵 抗			01
R415	RD355560	CARBON RESISTOR (CHIP)	560.0 63M J RECT.	チ	ッ	ブ 抵 抗			01
R416	RF454330	CARBON RESISTOR (CHIP)	33.0 D RECT.	チ	ッ	ブ 抵 抗			01
R417	RF454330	CARBON RESISTOR (CHIP)	33.0 D RECT.	チ	ッ	ブ 抵 抗			01
R418	RF45527R	CARBON RESISTOR (CHIP)	270.0 D RECT.	チ	ッ	ブ 抵 抗			01
R419	RF45527R	CARBON RESISTOR (CHIP)	270.0 D RECT.	チ	ッ	ブ 抵 抗			01
R420	RF456100	CARBON RESISTOR (CHIP)	1.0K D RECT.	チ	ッ	ブ 抵 抗			
R421	RF456150	CARBON RESISTOR (CHIP)	1.5K D RECT.	チ	ッ	ブ 抵 抗			
R423	RF456100	CARBON RESISTOR (CHIP)	1.0K D RECT.	チ	ッ	ブ 抵 抗			
R424	RD35410R	CARBON RESISTOR (CHIP)	10.0 63M J RECT.	チ	ッ	ブ 抵 抗			01
R434	RD157680	CARBON RESISTOR (CHIP)	68.0K 1/4 J TP	チ	ッ	ブ 抵 抗			
R435	RD157680	CARBON RESISTOR (CHIP)	68.0K 1/4 J TP	チ	ッ	ブ 抵 抗			
R444	WW770100	CARBON RESISTOR (CHIP)	0.022 1W J 5025	チ	ッ	ブ 抵 抗			
R445	WW770100	CARBON RESISTOR (CHIP)	0.022 1W J 5025	チ	ッ	ブ 抵 抗			
R446	WU822700	CARBON RESISTOR (CHIP)	33.0 1W 5%:J 5025	チ	ッ	ブ 抵 抗			
R447	WU822700	CARBON RESISTOR (CHIP)	33.0 1W 5%:J 5025	チ	ッ	ブ 抵 抗			
R452	RD15810R	CARBON RESISTOR (CHIP)	100K 1/4 J TP	チ	ッ	ブ 抵 抗			01
R453	RD157820	CARBON RESISTOR (CHIP)	82.0K 1/4 J TP	チ	ッ	ブ 抵 抗			
R454	RD15710R	CARBON RESISTOR (CHIP)	10.0K 1/4 J TP	チ	ッ	ブ 抵 抗			01
R471	RD357680	CARBON RESISTOR (CHIP)	68.0K 63M J RECT.	チ	ッ	ブ 抵 抗			01
R472	RD357680	CARBON RESISTOR (CHIP)	68.0K 63M J RECT.	チ	ッ	ブ 抵 抗			01
R473	RD357560	CARBON RESISTOR (CHIP)	56.0K 63M J RECT.	チ	ッ	ブ 抵 抗			01
R474	RD357100	CARBON RESISTOR (CHIP)	10.0K 63M J RECT.	チ	ッ	ブ 抵 抗			01
TH251	WY216000	CHIP THERMISTOR	NCP18XW223J03RB	チ	ッ	ブ サ ー ミ ス タ			
	WW598200	CIRCUIT BOARD	DSP(H)	D S P シ ー ト (H)			(YD229D0)		
CN701	VB858300	CONNECTOR	PH 4P SE	ベ ー ス ポ ス ト					01
CN704	VB858500	CONNECTOR	PH 6P SE	ベ ー ス ポ ス ト					01
CN705	VI879200	CABLE HOLDER	51048 14P TE	ケ ー ブ ル ホ ル ダ ー					01
CN706	WS193700	PIN HEADER	GPHA202 20P TE	ピ ン ヘ ッ ダ ー					
JK701	WG848700	CANNON CONNECTOR	JACK NC3FAAV2-0-Y	キ ャ ノ ン コ ネ ク タ			INPUT 1 MIC/LINE		03
JK702	WG848800	CANNON CONNECTOR	JACK NC3MAAV-0-Y	キ ャ ノ ン コ ネ ク タ			INPUT 1 THRU		03
JK705	V981260R	PHONE CONNECTOR	ST MSJ-064-20B B	ホ ー ン コ ネ ク タ			INPUT 2 LINE L/MONO		01
JK706	V981260R	PHONE CONNECTOR	ST MSJ-064-20B B	ホ ー ン コ ネ ク タ			INPUT 2 LINE R		01

*: New Parts

RANK: Japan only

DSP

REF NO.	PART NO.	DESCRIPTION	部 品 名	REMARKS	QTY	RANK
JK707	WC29570R	PIN CONNECTOR	2P MSP-532HV1-01 NI	ピンコネクタ 2P		01
JK708	WG848800	CANNON CONNECTOR	JACK NC3MAAV-0-Y	キャノンコネクタ		03
SW702	WK236800	SLIDE SWITCH	RSS001-242N-AABD1B	スライド S W		03
SW706	WH918701	PUSH SWITCH	PS-22E85L-02	プッシュ S W		01
VR701	WV349100	ROTARY VR	B 20.0K XV09213YNP	ロータリー V R		01
VR702	WN157200	DUAL UNIT ROTARY VR	B 20.0K XV012313YG	2 連ロータリー V R		01
VR703	WN157200	DUAL UNIT ROTARY VR	B 20.0K XV012313YG	2 連ロータリー V R		01
* W701	MF814070	FLAT CABLE 105	14P 70mm P=2.0	Fケーブル 105		
C701	US035100	CERAMIC CAPACITOR (CHIP)	0.1000 16V K RECT.	チップセラ (B)		01
C702	US035100	CERAMIC CAPACITOR (CHIP)	0.1000 16V K RECT.	チップセラ (B)		01
C703	UF03722R	ELECTROLYTIC CAP. (CHIP)	22 16V	チップケミコン		01
C704	US061470	CERAMIC CAPACITOR (CHIP)	47P 50V J RECT.	チップセラ (C H)		01
* C705	WB574800	POLYESTER FILM CAP. (CHIP)	.00068 50V J RECT.	チップマイラー		
C706	WB57250R	POLYESTER FILM CAP. (CHIP)	0.0100 16V J RECT.	チップマイラー		01
C707	UF03722R	ELECTROLYTIC CAP. (CHIP)	22 16V	チップケミコン		01
C708	US035100	CERAMIC CAPACITOR (CHIP)	0.1000 16V K RECT.	チップセラ (B)		01
C709	UF03722R	ELECTROLYTIC CAP. (CHIP)	22 16V	チップケミコン		01
C710	US035100	CERAMIC CAPACITOR (CHIP)	0.1000 16V K RECT.	チップセラ (B)		01
C711	US135220	CERAMIC CAPACITOR (CHIP)	0.2200 16V Z RECT.	チップセラ (F)		01
C712	US135220	CERAMIC CAPACITOR (CHIP)	0.2200 16V Z RECT.	チップセラ (F)		01
C713	US035100	CERAMIC CAPACITOR (CHIP)	0.1000 16V K RECT.	チップセラ (B)		01
C714	UF03722R	ELECTROLYTIC CAP. (CHIP)	22 16V	チップケミコン		01
C715	US035100	CERAMIC CAPACITOR (CHIP)	0.1000 16V K RECT.	チップセラ (B)		01
C716	UF03722R	ELECTROLYTIC CAP. (CHIP)	22 16V	チップケミコン		01
C717	WB57250R	POLYESTER FILM CAP. (CHIP)	0.0100 16V J RECT.	チップマイラー		01
C737	US06115R	CERAMIC CAPACITOR (CHIP)	15P 50V J RECT.	チップセラ (C H)		01
C738	US061220	CERAMIC CAPACITOR (CHIP)	22P 50V J RECT.	チップセラ (C H)		01
C739	US035100	CERAMIC CAPACITOR (CHIP)	0.1000 16V K RECT.	チップセラ (B)		01
C740	UF03722R	ELECTROLYTIC CAP. (CHIP)	22 16V	チップケミコン		01
C741	UF14810R	ELECTROLYTIC CAP. (CHIP)	100 25V	チップケミコン		01
C742	UF14810R	ELECTROLYTIC CAP. (CHIP)	100 25V	チップケミコン		01
C744	US14510R	CERAMIC CAPACITOR (CHIP)	0.1000 25V Z RECT.	チップセラ (F)		01
C745	US14510R	CERAMIC CAPACITOR (CHIP)	0.1000 25V Z RECT.	チップセラ (F)		01
C746	WF547900	CERAMIC CAPACITOR (CHIP)	10.000 25V K KAKUT	チップセラ		01
C748	UF05710R	ELECTROLYTIC CAP. (CHIP)	10 35V	チップケミコン		01
C749	UF05710R	ELECTROLYTIC CAP. (CHIP)	10 35V	チップケミコン		01
C751	US14510R	CERAMIC CAPACITOR (CHIP)	0.1000 25V Z RECT.	チップセラ (F)		01
C752	US14510R	CERAMIC CAPACITOR (CHIP)	0.1000 25V Z RECT.	チップセラ (F)		01
C753	US062470	CERAMIC CAPACITOR (CHIP)	470P 50V J RECT.	チップセラ (S L)		01
C755	WD758300	CERAMIC CAPACITOR (CHIP)	10U 10V K RECT.	チップセラ		01
C756	US035100	CERAMIC CAPACITOR (CHIP)	0.1000 16V K RECT.	チップセラ (B)		01
C757	US035100	CERAMIC CAPACITOR (CHIP)	0.1000 16V K RECT.	チップセラ (B)		01
C758	UF03722R	ELECTROLYTIC CAP. (CHIP)	22 16V	チップケミコン		01
C759	UF03722R	ELECTROLYTIC CAP. (CHIP)	22 16V	チップケミコン		01
C760	US046100	CERAMIC CAPACITOR (CHIP)	1.00 25V K RECT.	チップセラ (B)		01
C761	US035100	CERAMIC CAPACITOR (CHIP)	0.1000 16V K RECT.	チップセラ (B)		01
C763	US035100	CERAMIC CAPACITOR (CHIP)	0.1000 16V K RECT.	チップセラ (B)		01
C764	US035100	CERAMIC CAPACITOR (CHIP)	0.1000 16V K RECT.	チップセラ (B)		01
C765	UF03722R	ELECTROLYTIC CAP. (CHIP)	22 16V	チップケミコン		01
C766	US035100	CERAMIC CAPACITOR (CHIP)	0.1000 16V K RECT.	チップセラ (B)		01
C767	WE773800	MONOLITHIC CERAMIC CAP(CHIP)	1.000 10V B RECT.	チップ積層セラコン		01
C768	UF02810R	ELECTROLYTIC CAP. (CHIP)	100 10V	チップケミコン		01
C771	US035100	CERAMIC CAPACITOR (CHIP)	0.1000 16V K RECT.	チップセラ (B)		01
C773	UF03722R	ELECTROLYTIC CAP. (CHIP)	22 16V	チップケミコン		01
C774	UF03722R	ELECTROLYTIC CAP. (CHIP)	22 16V	チップケミコン		01
C775	US046100	CERAMIC CAPACITOR (CHIP)	1.00 25V K RECT.	チップセラ (B)		01
C776	US035100	CERAMIC CAPACITOR (CHIP)	0.1000 16V K RECT.	チップセラ (B)		01
C785	US035100	CERAMIC CAPACITOR (CHIP)	0.1000 16V K RECT.	チップセラ (B)		01
-787	US035100	CERAMIC CAPACITOR (CHIP)	0.1000 16V K RECT.	チップセラ (B)		01
C788	UF05710R	ELECTROLYTIC CAP. (CHIP)	10 35V	チップケミコン		01
C789	UF03722R	ELECTROLYTIC CAP. (CHIP)	22 16V	チップケミコン		01
C790	US035100	CERAMIC CAPACITOR (CHIP)	0.1000 16V K RECT.	チップセラ (B)		01
C791	UF03722R	ELECTROLYTIC CAP. (CHIP)	22 16V	チップケミコン		01
C792	US035100	CERAMIC CAPACITOR (CHIP)	0.1000 16V K RECT.	チップセラ (B)		01
C793	US046100	CERAMIC CAPACITOR (CHIP)	1.00 25V K RECT.	チップセラ (B)		01
C794	US046100	CERAMIC CAPACITOR (CHIP)	1.00 25V K RECT.	チップセラ (B)		01
C795	US035100	CERAMIC CAPACITOR (CHIP)	0.1000 16V K RECT.	チップセラ (B)		01
-797	US035100	CERAMIC CAPACITOR (CHIP)	0.1000 16V K RECT.	チップセラ (B)		01
C798	US046100	CERAMIC CAPACITOR (CHIP)	1.00 25V K RECT.	チップセラ (B)		01
C799	UF05710R	ELECTROLYTIC CAP. (CHIP)	10 35V	チップケミコン		01

*: New Parts

RANK: Japan only

DSP

REF NO.	PART NO.	DESCRIPTION	部 品 名	REMARKS	QTY	RANK
C800	UF03722R	ELECTROLYTIC CAP. (CHIP)	22 16V	チップケミコン		01
C801	US046100	CERAMIC CAPACITOR (CHIP)	1.00 25V K RECT.	チップセラ (B)		01
C802	US046100	CERAMIC CAPACITOR (CHIP)	1.00 25V K RECT.	チップセラ (B)		01
C803	US035100	CERAMIC CAPACITOR (CHIP)	0.1000 16V K RECT.	チップセラ (B)		01
C804	UF03722R	ELECTROLYTIC CAP. (CHIP)	22 16V	チップケミコン		01
C805	US06115R	CERAMIC CAPACITOR (CHIP)	15P 50V J RECT.	チップセラ (C H)		01
C806	US06115R	CERAMIC CAPACITOR (CHIP)	15P 50V J RECT.	チップセラ (C H)		01
C817	UF05710R	ELECTROLYTIC CAP. (CHIP)	10 35V	チップケミコン		01
-820	UF05710R	ELECTROLYTIC CAP. (CHIP)	10 35V	チップケミコン		01
C825	WN422300	ELECTROLYTIC CAP. (CHIP)	47.00 35.0V TP	チップケミコン U D		01
C826	WN422300	ELECTROLYTIC CAP. (CHIP)	47.00 35.0V TP	チップケミコン U D		01
C839	UF03722R	ELECTROLYTIC CAP. (CHIP)	22 16V	チップケミコン		01
-842	UF03722R	ELECTROLYTIC CAP. (CHIP)	22 16V	チップケミコン		01
C844	UF05710R	ELECTROLYTIC CAP. (CHIP)	10 35V	チップケミコン		01
C847	UF03722R	ELECTROLYTIC CAP. (CHIP)	22 16V	チップケミコン		01
-850	UF03722R	ELECTROLYTIC CAP. (CHIP)	22 16V	チップケミコン		01
C861	UF05710R	ELECTROLYTIC CAP. (CHIP)	10 35V	チップケミコン		01
C872	US061470	CERAMIC CAPACITOR (CHIP)	47P 50V J RECT.	チップセラ (C H)		01
C873	US061470	CERAMIC CAPACITOR (CHIP)	47P 50V J RECT.	チップセラ (C H)		01
C874	UF02810R	ELECTROLYTIC CAP. (CHIP)	100 10V	チップケミコン		01
C875	US035100	CERAMIC CAPACITOR (CHIP)	0.1000 16V K RECT.	チップセラ (B)		01
C877	US035100	CERAMIC CAPACITOR (CHIP)	0.1000 16V K RECT.	チップセラ (B)		01
C878	US035100	CERAMIC CAPACITOR (CHIP)	0.1000 16V K RECT.	チップセラ (B)		01
C879	UF02810R	ELECTROLYTIC CAP. (CHIP)	100 10V	チップケミコン		01
C883	US035100	CERAMIC CAPACITOR (CHIP)	0.1000 16V K RECT.	チップセラ (B)		01
C884	US061470	CERAMIC CAPACITOR (CHIP)	47P 50V J RECT.	チップセラ (C H)		01
C885	US061470	CERAMIC CAPACITOR (CHIP)	47P 50V J RECT.	チップセラ (C H)		01
C888	UF02810R	ELECTROLYTIC CAP. (CHIP)	100 10V	チップケミコン		01
-890	UF02810R	ELECTROLYTIC CAP. (CHIP)	100 10V	チップケミコン		01
C893	US035100	CERAMIC CAPACITOR (CHIP)	0.1000 16V K RECT.	チップセラ (B)		01
C894	US035100	CERAMIC CAPACITOR (CHIP)	0.1000 16V K RECT.	チップセラ (B)		01
C896	UF14822R	ELECTROLYTIC CAP. (CHIP)	220 25V	チップケミコン		02
C898	UF02810R	ELECTROLYTIC CAP. (CHIP)	100 10V	チップケミコン		01
C899	US061330	CERAMIC CAPACITOR (CHIP)	33P 50V J RECT.	チップセラ (C H)		01
C900	US061330	CERAMIC CAPACITOR (CHIP)	33P 50V J RECT.	チップセラ (C H)		01
* C901	WB574800	POLYESTER FILM CAP. (CHIP)	.00068 50V J RECT.	チップマイラー		
* -904	WB574800	POLYESTER FILM CAP. (CHIP)	.00068 50V J RECT.	チップマイラー		
C905	UF047470	ELECTROLYTIC CAP. (CHIP)	47 25V	チップケミコン		
C906	UF047470	ELECTROLYTIC CAP. (CHIP)	47 25V	チップケミコン		
C907	WB57420R	POLYESTER FILM CAP. (CHIP)	.00022 50V J RECT.	チップマイラー		01
-914	WB57420R	POLYESTER FILM CAP. (CHIP)	.00022 50V J RECT.	チップマイラー		01
C921	US035100	CERAMIC CAPACITOR (CHIP)	0.1000 16V K RECT.	チップセラ (B)		01
C922	US035100	CERAMIC CAPACITOR (CHIP)	0.1000 16V K RECT.	チップセラ (B)		01
C924	US035100	CERAMIC CAPACITOR (CHIP)	0.1000 16V K RECT.	チップセラ (B)		01
-927	US035100	CERAMIC CAPACITOR (CHIP)	0.1000 16V K RECT.	チップセラ (B)		01
C943	US035100	CERAMIC CAPACITOR (CHIP)	0.1000 16V K RECT.	チップセラ (B)		01
C944	US035100	CERAMIC CAPACITOR (CHIP)	0.1000 16V K RECT.	チップセラ (B)		01
C946	US035100	CERAMIC CAPACITOR (CHIP)	0.1000 16V K RECT.	チップセラ (B)		01
-949	US035100	CERAMIC CAPACITOR (CHIP)	0.1000 16V K RECT.	チップセラ (B)		01
C952	US035100	CERAMIC CAPACITOR (CHIP)	0.1000 16V K RECT.	チップセラ (B)		01
-957	US035100	CERAMIC CAPACITOR (CHIP)	0.1000 16V K RECT.	チップセラ (B)		01
C958	US063100	CERAMIC CAPACITOR (CHIP)	1000P 50V K RECT.	チップセラ (B)		01
C959	US063100	CERAMIC CAPACITOR (CHIP)	1000P 50V K RECT.	チップセラ (B)		01
C960	UF047470	ELECTROLYTIC CAP. (CHIP)	47 25V	チップケミコン		
C961	UF03810R	ELECTROLYTIC CAP. (CHIP)	100 16V	チップケミコン		01
-964	UF03810R	ELECTROLYTIC CAP. (CHIP)	100 16V	チップケミコン		01
C966	UF037100	ELECTROLYTIC CAP. (CHIP)	10 16V	チップケミコン		01
D703	VS59760R	DIODE (CHIP)	RB160L-40 TE25 TP	チップダイオード		01
-707	VS59760R	DIODE (CHIP)	RB160L-40 TE25 TP	チップダイオード		01
D708	VT332900	DIODE (CHIP)	1SS355 TE-17 TP	チップダイオード		01
D709	VS59760R	DIODE (CHIP)	RB160L-40 TE25 TP	チップダイオード		01
D711	V963430R	SCHOTTKY BARRIER DIODE	RB551V-30 TE-17 TE	ショットキダイオード		01
D712	V963430R	SCHOTTKY BARRIER DIODE	RB551V-30 TE-17 TE	ショットキダイオード		01
D715	VS20110R	DIODE (CHIP)	D1F60 1A 600V TP	チップダイオード		01
* EM701	WW443900	FILTER EMI CHIP	NFM41CC102R2A3L SM	チップエミフィル		
* -706	WW443900	FILTER EMI CHIP	NFM41CC102R2A3L SM	チップエミフィル		
* IC701	YE165C00	IC	R5F212BCSNFP	I C	MCU	
IC702	YA768A00	IC	TAS3204PAGR	I C	DSP	14
IC703	X6872A00	IC	PCM1804DBR	I C	ADC	07
IC705	X3848A0R	IC	S-80130ANMC-JCPT2G	I C	SYSTEM RESET	01

*: New Parts

RANK: Japan only

DSP

REF NO.	PART NO.	DESCRIPTION		部	品	名	REMARKS	QTY	RANK
IC707	YC808A00	IC	R1240K003A-TR			C	DC-DC CONVERTER		03
IC708	X3942A0R	IC	NJM78M15DL1A(Te1)			C	REGULATOR +15V		02
IC709	X3943A0R	IC	NJM79M15DL1A(Te1)			C	REGULATOR -15V		02
IC710	X6869A00	IC	NJM2885DL1-33			C	REGULATOR +3.3V		03
IC711	YC845A00	IC	TK11150CSCL-G			C	REGULATOR +5V		02
IC712	X3505A00	IC	NJM2068M-D(Te2)			C	OP AMP		02
IC720	X3505A00	IC	NJM2068M-D(Te2)			C	OP AMP		02
IC721	X3505A00	IC	NJM2068M-D(Te2)			C	OP AMP		02
IC723	XT157A0R	IC	NJM4580E-D(Te1)			C	OP AMP		02
L701	VU95400R	CHIP INDUCTANCE	BLM21PG300SN1D				チップソリッドインダクタ		01
L702	VU95400R	CHIP INDUCTANCE	BLM21PG300SN1D				チップソリッドインダクタ		01
L703	V804510R	CHIP INDUCTANCE	BLM18BB121SN1D				チップインダクタ		01
L704	VU95400R	CHIP INDUCTANCE	BLM21PG300SN1D				チップソリッドインダクタ		01
L705	VU95400R	CHIP INDUCTANCE	BLM21PG300SN1D				チップソリッドインダクタ		01
L706	WV925300	COIL INDUCTOR (CHIP)	22U 7E06NB-220M-RB				チップインダクタ		01
L707	VU95400R	CHIP INDUCTANCE	BLM21PG300SN1D				チップソリッドインダクタ		01
L709	VU95400R	CHIP INDUCTANCE	BLM21PG300SN1D				チップソリッドインダクタ		01
L710	VU95400R	CHIP INDUCTANCE	BLM21PG300SN1D				チップソリッドインダクタ		01
L711	V804510R	CHIP INDUCTANCE	BLM18BB121SN1D				チップインダクタ		01
L712	V804510R	CHIP INDUCTANCE	BLM18BB121SN1D				チップインダクタ		01
L713	VU95400R	CHIP INDUCTANCE	BLM21PG300SN1D				チップソリッドインダクタ		01
L714	V804510R	CHIP INDUCTANCE	BLM18BB121SN1D				チップインダクタ		01
L715	VU95400R	CHIP INDUCTANCE	BLM21PG300SN1D				チップソリッドインダクタ		01
L716	VU95400R	CHIP INDUCTANCE	BLM21PG300SN1D				チップソリッドインダクタ		01
R701	RD355680	CARBON RESISTOR (CHIP)	680.0 63M J RECT.				チップ抵抗		01
R702	RD355680	CARBON RESISTOR (CHIP)	680.0 63M J RECT.				チップ抵抗		01
R703	RD355220	CARBON RESISTOR (CHIP)	220.0 63M J RECT.				チップ抵抗		01
R705	RD355680	CARBON RESISTOR (CHIP)	680.0 63M J RECT.				チップ抵抗		01
-707	RD355680	CARBON RESISTOR (CHIP)	680.0 63M J RECT.				チップ抵抗		01
R708	RD355220	CARBON RESISTOR (CHIP)	220.0 63M J RECT.				チップ抵抗		01
R709	RD355220	CARBON RESISTOR (CHIP)	220.0 63M J RECT.				チップ抵抗		01
R714	RF357100	CARBON RESISTOR (CHIP)	10.0K D 1608				チップ抵抗		01
R715	RF357100	CARBON RESISTOR (CHIP)	10.0K D 1608				チップ抵抗		01
R716	RF35582R	CARBON RESISTOR (CHIP)	820.0 D 1608				チップ抵抗		01
R717	RF35722R	CARBON RESISTOR (CHIP)	22.0K D 1608				チップ抵抗		01
R719	RF357100	CARBON RESISTOR (CHIP)	10.0K D 1608				チップ抵抗		01
R721	RD354470	CARBON RESISTOR (CHIP)	47.0 63M J RECT.				チップ抵抗		01
R722	RD354680	CARBON RESISTOR (CHIP)	68.0 63M J RECT.				チップ抵抗		01
R723	RD354680	CARBON RESISTOR (CHIP)	68.0 63M J RECT.				チップ抵抗		01
R724	RD350001	CARBON RESISTOR (CHIP)	0 63M J RECT.				チップ抵抗		01
-726	RD350001	CARBON RESISTOR (CHIP)	0 63M J RECT.				チップ抵抗		01
R727	RD355100	CARBON RESISTOR (CHIP)	100.0 63M J RECT.				チップ抵抗		01
R740	RF355100	CARBON RESISTOR (CHIP)	100.0 D 1608				チップ抵抗		01
R742	RD35422R	CARBON RESISTOR (CHIP)	22.0 63M J RECT.				チップ抵抗		01
-745	RD35422R	CARBON RESISTOR (CHIP)	22.0 63M J RECT.				チップ抵抗		01
R746	RD355100	CARBON RESISTOR (CHIP)	100.0 63M J RECT.				チップ抵抗		01
R751	RD355220	CARBON RESISTOR (CHIP)	220.0 63M J RECT.				チップ抵抗		01
R752	RD355220	CARBON RESISTOR (CHIP)	220.0 63M J RECT.				チップ抵抗		01
R753	RD355100	CARBON RESISTOR (CHIP)	100.0 63M J RECT.				チップ抵抗		01
R754	RD35422R	CARBON RESISTOR (CHIP)	22.0 63M J RECT.				チップ抵抗		01
R755	RD357100	CARBON RESISTOR (CHIP)	10.0K 63M J RECT.				チップ抵抗		01
R757	RD357100	CARBON RESISTOR (CHIP)	10.0K 63M J RECT.				チップ抵抗		01
R758	RD357100	CARBON RESISTOR (CHIP)	10.0K 63M J RECT.				チップ抵抗		01
R759	RD354470	CARBON RESISTOR (CHIP)	47.0 63M J RECT.				チップ抵抗		01
R760	RD357100	CARBON RESISTOR (CHIP)	10.0K 63M J RECT.				チップ抵抗		01
R761	RD359100	CARBON RESISTOR (CHIP)	1.0M 63M J RECT.				チップ抵抗		01
R762	RD357100	CARBON RESISTOR (CHIP)	10.0K 63M J RECT.				チップ抵抗		01
R763	RD357100	CARBON RESISTOR (CHIP)	10.0K 63M J RECT.				チップ抵抗		01
R764	RD350001	CARBON RESISTOR (CHIP)	0 63M J RECT.				チップ抵抗		01
R765	RD355100	CARBON RESISTOR (CHIP)	100.0 63M J RECT.				チップ抵抗		01
-768	RD355100	CARBON RESISTOR (CHIP)	100.0 63M J RECT.				チップ抵抗		01
R775	RD357100	CARBON RESISTOR (CHIP)	10.0K 63M J RECT.				チップ抵抗		01
R781	RD355100	CARBON RESISTOR (CHIP)	100.0 63M J RECT.				チップ抵抗		01
R782	RD357100	CARBON RESISTOR (CHIP)	10.0K 63M J RECT.				チップ抵抗		01
R783	RD355100	CARBON RESISTOR (CHIP)	100.0 63M J RECT.				チップ抵抗		01
R784	RD355100	CARBON RESISTOR (CHIP)	100.0 63M J RECT.				チップ抵抗		01
R785	RF35612R	CARBON RESISTOR (CHIP)	1.2K D 1608				チップ抵抗		01
R786	RD355100	CARBON RESISTOR (CHIP)	100.0 63M J RECT.				チップ抵抗		01
R788	RD355100	CARBON RESISTOR (CHIP)	100.0 63M J RECT.				チップ抵抗		01
R789	RF356100	CARBON RESISTOR (CHIP)	1.0K D 1608				チップ抵抗		01

*: New Parts

RANK: Japan only

DSP

REF NO.	PART NO.	DESCRIPTION	部	品	名	REMARKS	QTY	RANK
R790	RD35415R	CARBON RESISTOR (CHIP)	15.0	63M	J RECT.	チ ッ ブ 抵 抗		01
R791	RD355100	CARBON RESISTOR (CHIP)	100.0	63M	J RECT.	チ ッ ブ 抵 抗		01
R792	RD355100	CARBON RESISTOR (CHIP)	100.0	63M	J RECT.	チ ッ ブ 抵 抗		01
R793	RD357100	CARBON RESISTOR (CHIP)	10.0K	63M	J RECT.	チ ッ ブ 抵 抗		01
R794	RF35668R	CARBON RESISTOR (CHIP)	6.8K	D	1608	チ ッ ブ 抵 抗		01
R798	RD356100	CARBON RESISTOR (CHIP)	1.0K	63M	J RECT.	チ ッ ブ 抵 抗		01
R799	RD357100	CARBON RESISTOR (CHIP)	10.0K	63M	J RECT.	チ ッ ブ 抵 抗		01
R800	RD357220	CARBON RESISTOR (CHIP)	22.0K	63M	J RECT.	チ ッ ブ 抵 抗		01
R801	RD357100	CARBON RESISTOR (CHIP)	10.0K	63M	J RECT.	チ ッ ブ 抵 抗		01
R803	RD355100	CARBON RESISTOR (CHIP)	100.0	63M	J RECT.	チ ッ ブ 抵 抗		01
-805	RD355100	CARBON RESISTOR (CHIP)	100.0	63M	J RECT.	チ ッ ブ 抵 抗		01
R806	RD358100	CARBON RESISTOR (CHIP)	100.0K	63M	J RECT.	チ ッ ブ 抵 抗		01
R817	RD350001	CARBON RESISTOR (CHIP)	0	63M	J RECT.	チ ッ ブ 抵 抗		01
R820	RD356470	CARBON RESISTOR (CHIP)	4.7K	63M	J RECT.	チ ッ ブ 抵 抗		01
R821	RD356470	CARBON RESISTOR (CHIP)	4.7K	63M	J RECT.	チ ッ ブ 抵 抗		01
R825	RD350001	CARBON RESISTOR (CHIP)	0	63M	J RECT.	チ ッ ブ 抵 抗		01
-827	RD350001	CARBON RESISTOR (CHIP)	0	63M	J RECT.	チ ッ ブ 抵 抗		01
R828	RD355100	CARBON RESISTOR (CHIP)	100.0	63M	J RECT.	チ ッ ブ 抵 抗		01
R829	RD355100	CARBON RESISTOR (CHIP)	100.0	63M	J RECT.	チ ッ ブ 抵 抗		01
R832	RD355100	CARBON RESISTOR (CHIP)	100.0	63M	J RECT.	チ ッ ブ 抵 抗		01
-834	RD355100	CARBON RESISTOR (CHIP)	100.0	63M	J RECT.	チ ッ ブ 抵 抗		01
R835	RD359100	CARBON RESISTOR (CHIP)	1.0M	63M	J RECT.	チ ッ ブ 抵 抗		01
R836	RD354470	CARBON RESISTOR (CHIP)	47.0	63M	J RECT.	チ ッ ブ 抵 抗		01
R838	RF35810R	CARBON RESISTOR (CHIP)	100.0K	D	1608	チ ッ ブ 抵 抗		01
-841	RF35810R	CARBON RESISTOR (CHIP)	100.0K	D	1608	チ ッ ブ 抵 抗		01
R863	RD359100	CARBON RESISTOR (CHIP)	1.0M	63M	J RECT.	チ ッ ブ 抵 抗		01
-866	RD359100	CARBON RESISTOR (CHIP)	1.0M	63M	J RECT.	チ ッ ブ 抵 抗		01
R894	RF357100	CARBON RESISTOR (CHIP)	10.0K	D	1608	チ ッ ブ 抵 抗		01
R895	RF357100	CARBON RESISTOR (CHIP)	10.0K	D	1608	チ ッ ブ 抵 抗		01
R898	RF357100	CARBON RESISTOR (CHIP)	10.0K	D	1608	チ ッ ブ 抵 抗		01
-902	RF357100	CARBON RESISTOR (CHIP)	10.0K	D	1608	チ ッ ブ 抵 抗		01
R905	RF357100	CARBON RESISTOR (CHIP)	10.0K	D	1608	チ ッ ブ 抵 抗		01
R906	RF357100	CARBON RESISTOR (CHIP)	10.0K	D	1608	チ ッ ブ 抵 抗		01
R909	RD35747R	CARBON RESISTOR (CHIP)	47.0K	63M	J RECT.	チ ッ ブ 抵 抗		01
R910	RF35810R	CARBON RESISTOR (CHIP)	100.0K	D	1608	チ ッ ブ 抵 抗		01
-912	RF35810R	CARBON RESISTOR (CHIP)	100.0K	D	1608	チ ッ ブ 抵 抗		01
R922	RF357100	CARBON RESISTOR (CHIP)	10.0K	D	1608	チ ッ ブ 抵 抗		01
R923	RF35711R	CARBON RESISTOR (CHIP)	11.0K	D	1608	チ ッ ブ 抵 抗		01
R924	RF357200	CARBON RESISTOR (CHIP)	20.0K	D	1608	チ ッ ブ 抵 抗		01
R925	RF357200	CARBON RESISTOR (CHIP)	20.0K	D	1608	チ ッ ブ 抵 抗		01
R926	RF35718R	CARBON RESISTOR (CHIP)	18.0K	D	1608	チ ッ ブ 抵 抗		01
R927	RF35718R	CARBON RESISTOR (CHIP)	18.0K	D	1608	チ ッ ブ 抵 抗		01
R952	RF35810R	CARBON RESISTOR (CHIP)	100.0K	D	1608	チ ッ ブ 抵 抗		01
R953	RF35810R	CARBON RESISTOR (CHIP)	100.0K	D	1608	チ ッ ブ 抵 抗		01
R958	RD35433R	CARBON RESISTOR (CHIP)	33.0	63M	J RECT.	チ ッ ブ 抵 抗		01
-961	RD35433R	CARBON RESISTOR (CHIP)	33.0	63M	J RECT.	チ ッ ブ 抵 抗		01
R966	RD357680	CARBON RESISTOR (CHIP)	68.0K	63M	J RECT.	チ ッ ブ 抵 抗		01
-969	RD357680	CARBON RESISTOR (CHIP)	68.0K	63M	J RECT.	チ ッ ブ 抵 抗		01
R979	RD350001	CARBON RESISTOR (CHIP)	0	63M	J RECT.	チ ッ ブ 抵 抗		01
RA701	WH207000	RESISTOR ARRAY	100	X	4	抵 抗 ア レ イ		01
-703	WH207000	RESISTOR ARRAY	100	X	4	抵 抗 ア レ イ		01
RA704	WH211800	RESISTOR ARRAY	10K	X	4	抵 抗 ア レ イ		01
RA705	WH211800	RESISTOR ARRAY	10K	X	4	抵 抗 ア レ イ		01
RA706	WH207000	RESISTOR ARRAY	100	X	4	抵 抗 ア レ イ		01
RA707	WH211800	RESISTOR ARRAY	10K	X	4	抵 抗 ア レ イ		01
RA708	WH207000	RESISTOR ARRAY	100	X	4	抵 抗 ア レ イ		01
-710	WH207000	RESISTOR ARRAY	100	X	4	抵 抗 ア レ イ		01
RA711	WH211800	RESISTOR ARRAY	10K	X	4	抵 抗 ア レ イ		01
SW701	WM891201	SLIDE SWITCH	CHS-04TA2			ジ ャ ン パ ー S W	MODEL ID	05
TR701	VV655600	DIGITAL TRANSISTOR	DTC143EKA TP			デ ジ タ ル ト ラ ン ジ ス タ		01
-703	VV655600	DIGITAL TRANSISTOR	DTC143EKA TP			デ ジ タ ル ト ラ ン ジ ス タ		01
* TR701	ZC870400	DIGITAL TRANSISTOR	KRC101S-RTK/P			デ ジ タ ル ト ラ ン ジ ス タ		01
* -703	ZC870400	DIGITAL TRANSISTOR	KRC101S-RTK/P			デ ジ タ ル ト ラ ン ジ ス タ		01
TR705	VV655600	DIGITAL TRANSISTOR	DTC143EKA TP			デ ジ タ ル ト ラ ン ジ ス タ		01
* TR705	ZC870400	DIGITAL TRANSISTOR	KRC101S-RTK/P			デ ジ タ ル ト ラ ン ジ ス タ		01
TR706	VV655600	DIGITAL TRANSISTOR	DTC143EKA TP			デ ジ タ ル ト ラ ン ジ ス タ		01
* TR706	ZC870400	DIGITAL TRANSISTOR	KRC101S-RTK/P			デ ジ タ ル ト ラ ン ジ ス タ		01
TR707	WC435000	DIGITAL TRANSISTOR	KRC102S-RTK/P			デ ジ タ ル ト ラ ン ジ ス タ		01
TR708	VV655700	DIGITAL TRANSISTOR	DTC144EKA TP			デ ジ タ ル ト ラ ン ジ ス タ		01
TR708	WC435100	DIGITAL TRANSISTOR	KRC104S-RTK/P			デ ジ タ ル ト ラ ン ジ ス タ		01

*: New Parts

RANK: Japan only

DSP

REF NO.	PART NO.	DESCRIPTION	部 品 名	REMARKS	QTY	RANK
TR709	VV655300	DIGITAL TRANSISTOR	DTA144EKA TP	デジタルトランジスタ		01
TR709	WC434900	DIGITAL TRANSISTOR	KRA104S-RTK/P	デジタルトランジスタ		01
X701	VQ274700	QUARTZ CRYSTAL UNIT	20.0MHz SMD-49	水晶振動子		04
X702	WS190000	RESONATOR QUARTZ	24.576MHz DSX321G	水晶振動子		02
C718	US062220	CERAMIC CAPACITOR (CHIP)	220P 50V J RECT.	チップセラ (S L)		01
-721	US062220	CERAMIC CAPACITOR (CHIP)	220P 50V J RECT.	チップセラ (S L)		01
C722	US035100	CERAMIC CAPACITOR (CHIP)	0.1000 16V K RECT.	チップセラ (B)		01
C724	US062100	CERAMIC CAPACITOR (CHIP)	100P 50V J RECT.	チップセラ (S L)		01
C725	US035100	CERAMIC CAPACITOR (CHIP)	0.1000 16V K RECT.	チップセラ (B)		01
C726	US062100	CERAMIC CAPACITOR (CHIP)	100P 50V J RECT.	チップセラ (S L)		01
C729	US035100	CERAMIC CAPACITOR (CHIP)	0.1000 16V K RECT.	チップセラ (B)		01
C730	US035100	CERAMIC CAPACITOR (CHIP)	0.1000 16V K RECT.	チップセラ (B)		01
C736	US062100	CERAMIC CAPACITOR (CHIP)	100P 50V J RECT.	チップセラ (S L)		01
C747	US035100	CERAMIC CAPACITOR (CHIP)	0.1000 16V K RECT.	チップセラ (B)		01
C750	US035100	CERAMIC CAPACITOR (CHIP)	0.1000 16V K RECT.	チップセラ (B)		01
C762	US035100	CERAMIC CAPACITOR (CHIP)	0.1000 16V K RECT.	チップセラ (B)		01
C777	US035100	CERAMIC CAPACITOR (CHIP)	0.1000 16V K RECT.	チップセラ (B)		01
-780	US035100	CERAMIC CAPACITOR (CHIP)	0.1000 16V K RECT.	チップセラ (B)		01
C783	US035100	CERAMIC CAPACITOR (CHIP)	0.1000 16V K RECT.	チップセラ (B)		01
C784	US035100	CERAMIC CAPACITOR (CHIP)	0.1000 16V K RECT.	チップセラ (B)		01
C811	US035100	CERAMIC CAPACITOR (CHIP)	0.1000 16V K RECT.	チップセラ (B)		01
C812	US062220	CERAMIC CAPACITOR (CHIP)	220P 50V J RECT.	チップセラ (S L)		01
-815	US062220	CERAMIC CAPACITOR (CHIP)	220P 50V J RECT.	チップセラ (S L)		01
C816	US035100	CERAMIC CAPACITOR (CHIP)	0.1000 16V K RECT.	チップセラ (B)		01
C821	US062100	CERAMIC CAPACITOR (CHIP)	100P 50V J RECT.	チップセラ (S L)		01
-824	US062100	CERAMIC CAPACITOR (CHIP)	100P 50V J RECT.	チップセラ (S L)		01
C829	US035100	CERAMIC CAPACITOR (CHIP)	0.1000 16V K RECT.	チップセラ (B)		01
C834	US061470	CERAMIC CAPACITOR (CHIP)	47P 50V J RECT.	チップセラ (C H)		01
-837	US061470	CERAMIC CAPACITOR (CHIP)	47P 50V J RECT.	チップセラ (C H)		01
C838	US035100	CERAMIC CAPACITOR (CHIP)	0.1000 16V K RECT.	チップセラ (B)		01
C843	US035100	CERAMIC CAPACITOR (CHIP)	0.1000 16V K RECT.	チップセラ (B)		01
C851	US035100	CERAMIC CAPACITOR (CHIP)	0.1000 16V K RECT.	チップセラ (B)		01
C860	US035100	CERAMIC CAPACITOR (CHIP)	0.1000 16V K RECT.	チップセラ (B)		01
C863	US061470	CERAMIC CAPACITOR (CHIP)	47P 50V J RECT.	チップセラ (C H)		01
-866	US061470	CERAMIC CAPACITOR (CHIP)	47P 50V J RECT.	チップセラ (C H)		01
C867	US035100	CERAMIC CAPACITOR (CHIP)	0.1000 16V K RECT.	チップセラ (B)		01
C886	US061470	CERAMIC CAPACITOR (CHIP)	47P 50V J RECT.	チップセラ (C H)		01
C887	US035100	CERAMIC CAPACITOR (CHIP)	0.1000 16V K RECT.	チップセラ (B)		01
C891	US035100	CERAMIC CAPACITOR (CHIP)	0.1000 16V K RECT.	チップセラ (B)		01
C892	US061470	CERAMIC CAPACITOR (CHIP)	47P 50V J RECT.	チップセラ (C H)		01
C897	US061470	CERAMIC CAPACITOR (CHIP)	47P 50V J RECT.	チップセラ (C H)		01
C915	US062470	CERAMIC CAPACITOR (CHIP)	470P 50V J RECT.	チップセラ (S L)		01
C916	US035100	CERAMIC CAPACITOR (CHIP)	0.1000 16V K RECT.	チップセラ (B)		01
C917	US035100	CERAMIC CAPACITOR (CHIP)	0.1000 16V K RECT.	チップセラ (B)		01
C918	US062470	CERAMIC CAPACITOR (CHIP)	470P 50V J RECT.	チップセラ (S L)		01
C919	US035100	CERAMIC CAPACITOR (CHIP)	0.1000 16V K RECT.	チップセラ (B)		01
C920	US035100	CERAMIC CAPACITOR (CHIP)	0.1000 16V K RECT.	チップセラ (B)		01
C940	US035100	CERAMIC CAPACITOR (CHIP)	0.1000 16V K RECT.	チップセラ (B)		01
-942	US035100	CERAMIC CAPACITOR (CHIP)	0.1000 16V K RECT.	チップセラ (B)		01
C945	US035100	CERAMIC CAPACITOR (CHIP)	0.1000 16V K RECT.	チップセラ (B)		01
C950	US035100	CERAMIC CAPACITOR (CHIP)	0.1000 16V K RECT.	チップセラ (B)		01
C951	US035100	CERAMIC CAPACITOR (CHIP)	0.1000 16V K RECT.	チップセラ (B)		01
D701	WG139300	DIODE (CHIP)	KDS4148U-RTK/P TE	チップダイオード		
D702	WG139300	DIODE (CHIP)	KDS4148U-RTK/P TE	チップダイオード		
D716	VS59760R	DIODE (CHIP)	RB160L-40 TE25 TP	チップダイオード		01
D717	VU172500	ZENER DIODE	UDZS9.1BTE-17 9.1V	ツェナーダイオード		01
DA701	V9424900	DIODE ARRAY	1SS372 TE85L	ダイオードアレイ		01
-705	V9424900	DIODE ARRAY	1SS372 TE85L	ダイオードアレイ		01
IC713	X3505A00	IC	NJM2068M-D(Te2)	I C	OP AMP	02
IC715	X3505A00	IC	NJM2068M-D(Te2)	I C	OP AMP	02
-719	X3505A00	IC	NJM2068M-D(Te2)	I C	OP AMP	02
IC722	X3505A00	IC	NJM2068M-D(Te2)	I C	OP AMP	02
IC724	X3505A00	IC	NJM2068M-D(Te2)	I C	OP AMP	02
IC725	X3505A00	IC	NJM2068M-D(Te2)	I C	OP AMP	02
L708	VU95400R	CHIP INDUCTANCE	BLM21PG300SN1D	チップソリッドインダクタ		01
R718	RF35618R	CARBON RESISTOR (CHIP)	1.8K D 1608	チップ抵抗		01
R720	RF35582R	CARBON RESISTOR (CHIP)	820.0 D 1608	チップ抵抗		01
R728	RD354680	CARBON RESISTOR (CHIP)	68.0 63M J RECT.	チップ抵抗		01
R729	RD354680	CARBON RESISTOR (CHIP)	68.0 63M J RECT.	チップ抵抗		01
R730	RF35810R	CARBON RESISTOR (CHIP)	100.0K D 1608	チップ抵抗		01

*: New Parts

RANK: Japan only

DSP

REF NO.	PART NO.	DESCRIPTION	部	品	名	REMARKS	QTY	RANK
R731	RF35810R	CARBON RESISTOR (CHIP)	100.0K D 1608	チ	ッ	ブ 抵 抗		01
R732	RF35618R	CARBON RESISTOR (CHIP)	1.8K D 1608	チ	ッ	ブ 抵 抗		01
R733	RF35618R	CARBON RESISTOR (CHIP)	1.8K D 1608	チ	ッ	ブ 抵 抗		01
R734	RF35718R	CARBON RESISTOR (CHIP)	18.0K D 1608	チ	ッ	ブ 抵 抗		01
R735	RF35647R	CARBON RESISTOR (CHIP)	4.7K D 1608	チ	ッ	ブ 抵 抗		01
-738	RF35647R	CARBON RESISTOR (CHIP)	4.7K D 1608	チ	ッ	ブ 抵 抗		01
R739	RF35682R	CARBON RESISTOR (CHIP)	8.2K D 1608	チ	ッ	ブ 抵 抗		01
R741	RF35647R	CARBON RESISTOR (CHIP)	4.7K D 1608	チ	ッ	ブ 抵 抗		01
R749	RD355100	CARBON RESISTOR (CHIP)	100.0 63M J RECT.	チ	ッ	ブ 抵 抗		01
R750	RD355100	CARBON RESISTOR (CHIP)	100.0 63M J RECT.	チ	ッ	ブ 抵 抗		01
R756	RD357100	CARBON RESISTOR (CHIP)	10.0K 63M J RECT.	チ	ッ	ブ 抵 抗		01
R769	RD357100	CARBON RESISTOR (CHIP)	10.0K 63M J RECT.	チ	ッ	ブ 抵 抗		01
-771	RD357100	CARBON RESISTOR (CHIP)	10.0K 63M J RECT.	チ	ッ	ブ 抵 抗		01
R772	RD356470	CARBON RESISTOR (CHIP)	4.7K 63M J RECT.	チ	ッ	ブ 抵 抗		01
R773	RD357100	CARBON RESISTOR (CHIP)	10.0K 63M J RECT.	チ	ッ	ブ 抵 抗		01
R774	RD357100	CARBON RESISTOR (CHIP)	10.0K 63M J RECT.	チ	ッ	ブ 抵 抗		01
R776	RD357100	CARBON RESISTOR (CHIP)	10.0K 63M J RECT.	チ	ッ	ブ 抵 抗		01
-780	RD357100	CARBON RESISTOR (CHIP)	10.0K 63M J RECT.	チ	ッ	ブ 抵 抗		01
R787	RD354470	CARBON RESISTOR (CHIP)	47.0 63M J RECT.	チ	ッ	ブ 抵 抗		01
R795	RD355100	CARBON RESISTOR (CHIP)	100.0 63M J RECT.	チ	ッ	ブ 抵 抗		01
R796	RD357100	CARBON RESISTOR (CHIP)	10.0K 63M J RECT.	チ	ッ	ブ 抵 抗		01
R797	RD357100	CARBON RESISTOR (CHIP)	10.0K 63M J RECT.	チ	ッ	ブ 抵 抗		01
R802	RD359100	CARBON RESISTOR (CHIP)	1.0M 63M J RECT.	チ	ッ	ブ 抵 抗		01
R807	RD357100	CARBON RESISTOR (CHIP)	10.0K 63M J RECT.	チ	ッ	ブ 抵 抗		01
-810	RD357100	CARBON RESISTOR (CHIP)	10.0K 63M J RECT.	チ	ッ	ブ 抵 抗		01
R818	RD357100	CARBON RESISTOR (CHIP)	10.0K 63M J RECT.	チ	ッ	ブ 抵 抗		01
R819	RD357100	CARBON RESISTOR (CHIP)	10.0K 63M J RECT.	チ	ッ	ブ 抵 抗		01
R824	RD357100	CARBON RESISTOR (CHIP)	10.0K 63M J RECT.	チ	ッ	ブ 抵 抗		01
R830	RD355100	CARBON RESISTOR (CHIP)	100.0 63M J RECT.	チ	ッ	ブ 抵 抗		01
R831	RF35722R	CARBON RESISTOR (CHIP)	22.0K D 1608	チ	ッ	ブ 抵 抗		01
R842	RD355220	CARBON RESISTOR (CHIP)	220.0 63M J RECT.	チ	ッ	ブ 抵 抗		01
-845	RD355220	CARBON RESISTOR (CHIP)	220.0 63M J RECT.	チ	ッ	ブ 抵 抗		01
R848	RF35810R	CARBON RESISTOR (CHIP)	100.0K D 1608	チ	ッ	ブ 抵 抗		01
-851	RF35810R	CARBON RESISTOR (CHIP)	100.0K D 1608	チ	ッ	ブ 抵 抗		01
R852	RF35682R	CARBON RESISTOR (CHIP)	8.2K D 1608	チ	ッ	ブ 抵 抗		01
-855	RF35682R	CARBON RESISTOR (CHIP)	8.2K D 1608	チ	ッ	ブ 抵 抗		01
R856	RF35647R	CARBON RESISTOR (CHIP)	4.7K D 1608	チ	ッ	ブ 抵 抗		01
-859	RF35647R	CARBON RESISTOR (CHIP)	4.7K D 1608	チ	ッ	ブ 抵 抗		01
R867	RF35682R	CARBON RESISTOR (CHIP)	8.2K D 1608	チ	ッ	ブ 抵 抗		01
-870	RF35682R	CARBON RESISTOR (CHIP)	8.2K D 1608	チ	ッ	ブ 抵 抗		01
R871	RF35615R	CARBON RESISTOR (CHIP)	1.5K D 1608	チ	ッ	ブ 抵 抗		01
-874	RF35615R	CARBON RESISTOR (CHIP)	1.5K D 1608	チ	ッ	ブ 抵 抗		01
R876	RF35668R	CARBON RESISTOR (CHIP)	6.8K D 1608	チ	ッ	ブ 抵 抗		01
-879	RF35668R	CARBON RESISTOR (CHIP)	6.8K D 1608	チ	ッ	ブ 抵 抗		01
R880	RF35612R	CARBON RESISTOR (CHIP)	1.2K D 1608	チ	ッ	ブ 抵 抗		01
-883	RF35612R	CARBON RESISTOR (CHIP)	1.2K D 1608	チ	ッ	ブ 抵 抗		01
R886	RD350001	CARBON RESISTOR (CHIP)	0 63M J RECT.	チ	ッ	ブ 抵 抗		01
R888	RF357100	CARBON RESISTOR (CHIP)	10.0K D 1608	チ	ッ	ブ 抵 抗		01
-891	RF357100	CARBON RESISTOR (CHIP)	10.0K D 1608	チ	ッ	ブ 抵 抗		01
R893	RD359100	CARBON RESISTOR (CHIP)	1.0M 63M J RECT.	チ	ッ	ブ 抵 抗		01
R897	RD350001	CARBON RESISTOR (CHIP)	0 63M J RECT.	チ	ッ	ブ 抵 抗		01
R903	RF357100	CARBON RESISTOR (CHIP)	10.0K D 1608	チ	ッ	ブ 抵 抗		01
R904	RF357100	CARBON RESISTOR (CHIP)	10.0K D 1608	チ	ッ	ブ 抵 抗		01
R907	RF357100	CARBON RESISTOR (CHIP)	10.0K D 1608	チ	ッ	ブ 抵 抗		01
R913	RF357150	CARBON RESISTOR (CHIP)	15.0K D 1608	チ	ッ	ブ 抵 抗		01
R914	RD35433R	CARBON RESISTOR (CHIP)	33.0 63M J RECT.	チ	ッ	ブ 抵 抗		01
R915	RF35810R	CARBON RESISTOR (CHIP)	100.0K D 1608	チ	ッ	ブ 抵 抗		01
R916	RF357100	CARBON RESISTOR (CHIP)	10.0K D 1608	チ	ッ	ブ 抵 抗		01
R918	RF357100	CARBON RESISTOR (CHIP)	10.0K D 1608	チ	ッ	ブ 抵 抗		01
R919	RD358100	CARBON RESISTOR (CHIP)	100.0K 63M J RECT.	チ	ッ	ブ 抵 抗		01
R920	RF357100	CARBON RESISTOR (CHIP)	10.0K D 1608	チ	ッ	ブ 抵 抗		01
R921	RF357100	CARBON RESISTOR (CHIP)	10.0K D 1608	チ	ッ	ブ 抵 抗		01
R928	RF356510	CARBON RESISTOR (CHIP)	5.1K D 1608	チ	ッ	ブ 抵 抗		01
-935	RF356510	CARBON RESISTOR (CHIP)	5.1K D 1608	チ	ッ	ブ 抵 抗		01
R936	RD354750	CARBON RESISTOR (CHIP)	75.0 63M J RECT.	チ	ッ	ブ 抵 抗		01
R937	RD354750	CARBON RESISTOR (CHIP)	75.0 63M J RECT.	チ	ッ	ブ 抵 抗		01
R938	RF35668R	CARBON RESISTOR (CHIP)	6.8K D 1608	チ	ッ	ブ 抵 抗		01
-941	RF35668R	CARBON RESISTOR (CHIP)	6.8K D 1608	チ	ッ	ブ 抵 抗		01
R942	RF356510	CARBON RESISTOR (CHIP)	5.1K D 1608	チ	ッ	ブ 抵 抗		01
-949	RF356510	CARBON RESISTOR (CHIP)	5.1K D 1608	チ	ッ	ブ 抵 抗		01

*: New Parts

RANK: Japan only

DSP and LED and SUB(SUB1/SUB2/SUB3/SUB4)

REF NO.	PART NO.	DESCRIPTION		部 品 名	REMARKS	QTY	RANK
R950	RD357100	CARBON RESISTOR (CHIP)	10.0K 63M J RECT.	チ ッ プ 抵 抗			01
R951	RD357100	CARBON RESISTOR (CHIP)	10.0K 63M J RECT.	チ ッ プ 抵 抗			01
R954	RF35668R	CARBON RESISTOR (CHIP)	6.8K D 1608	チ ッ プ 抵 抗			01
-957	RF35668R	CARBON RESISTOR (CHIP)	6.8K D 1608	チ ッ プ 抵 抗			01
R962	RD357100	CARBON RESISTOR (CHIP)	10.0K 63M J RECT.	チ ッ プ 抵 抗			01
-964	RD357100	CARBON RESISTOR (CHIP)	10.0K 63M J RECT.	チ ッ プ 抵 抗			01
R965	RD355100	CARBON RESISTOR (CHIP)	100.0 63M J RECT.	チ ッ プ 抵 抗			01
R970	RF355390	CARBON RESISTOR (CHIP)	390.0 D 1608	チ ッ プ 抵 抗			01
-973	RF355390	CARBON RESISTOR (CHIP)	390.0 D 1608	チ ッ プ 抵 抗			01
* R974	RF354680	CARBON RESISTOR (CHIP)	68.0 D 1608	チ ッ プ 抵 抗			01
R977	RF35810R	CARBON RESISTOR (CHIP)	100.0K D 1608	チ ッ プ 抵 抗			01
R978	RF35810R	CARBON RESISTOR (CHIP)	100.0K D 1608	チ ッ プ 抵 抗			01
TR710	WC883401	TRANSISTOR	2SD2704 K TP	トランジスタ 2 S D	}		01
TR710	WH372200	TRANSISTOR	KTC2875-B TP	トランジスタ			01
TR711	WC883401	TRANSISTOR	2SD2704 K TP	トランジスタ 2 S D			01
TR711	WH372200	TRANSISTOR	KTC2875-B TP	トランジスタ	}		01
TR712	WC435000	DIGITAL TRANSISTOR	KRC102S-RTK/P	デジタルトランジスタ			01
TR713	VV556400	TRANSISTOR	2SC2412K Q,R,S TP	トランジスタ	}		01
TR713	WC529400	TRANSISTOR	KTC3875S-Y,GR-RTK	トランジスタ			01
* CN601	WY287700	CIRCUIT BOARD	LED(H)	L E D シ ー ト (H)		(YD441C0)	
LD601	VB858200	CONNECTOR	PH 3P SE	ベ ー ス ポ ス ト	} FRONT LED		01
LD601	WQ446500	LED WHITE	SLR343WBC7T31	L E D			01
LD601	WR790600	LED WHITE	SLR343WBC7T21	L E D			01
* **	WW652600	CIRCUIT BOARD	SUB(H)	S U B シ ー ト (H)		(YD233D0)	
* **	ZC255100	CIRCUIT BOARD	SUB1(H)	S U B 1 シ ー ト (H)		(WW65260)(YD233D0)	
* **	ZC255200	CIRCUIT BOARD	SUB2(H)	S U B 2 シ ー ト (H)		(WW65260)(YD233D0)	
* **	ZC255300	CIRCUIT BOARD	SUB3(H)	S U B 3 シ ー ト (H)		(WW65260)(YD233D0)	
* **	ZC255400	CIRCUIT BOARD	SUB4(H)	S U B 4 シ ー ト (H)		(WW65260)(YD233D0)	
⚠ C601	WB408000	BINDING TIE	GT-100M HUA WEI	インシュロックタイ			03
⚠ C602	V9365100	CAPACITOR	1.000 275V UCS	規 格 認 定 コ ン			03
⚠ C603	WK463700	CAPACITOR	2200P 250V J.U.C.B	規 格 認 定 コ ン K Y			01
⚠ C604	WK463700	CAPACITOR	2200P 250V J.U.C.B	規 格 認 定 コ ン K Y			01
⚠ C605	WK463600	CAPACITOR	1000P 250V J.U.C.B	規 格 認 定 コ ン K Y			01
⚠ C606	V9365100	CAPACITOR	1.000 275V UCS	規 格 認 定 コ ン			03
⚠ C625	WK463600	CAPACITOR	1000P 250V J.U.C.B	規 格 認 定 コ ン K Y			01
CN604	LB93303R	CONNECTOR	VH 3P SE	ベ ー ス ポ ス ト			01
CN605	LB933020	CONNECTOR	VH 2P SE	ベ ー ス ポ ス ト			01
CN606	VB38980R	CONNECTOR	PH 2P TE	ベ ー ス ポ ス ト			01
CN607	--	SOCKET	JQTYPE 8P TE	ソ ケ ッ ト		(VC90060)	
CN608	LB919080	CONNECTOR	XH 8P SE	ベ ー ス ツ キ ポ ス ト			02
CN609	LB93203R	CONNECTOR	VH 3P TE	ベ ー ス ポ ス ト			01
CN610	LB932020	CONNECTOR	VH 2P TE	ベ ー ス ポ ス ト			01
CN611	VB38980R	CONNECTOR	PH 2P TE	ベ ー ス ポ ス ト			01
CN801	VK02580R	WIRE TRAP	52147 14P TE	ワイヤートラップ	} AC IN		01
JK601	WH032400	AC INLET	TU-301-AL	A C イ ン レ ッ ト			
K601	WR364700	SCREW TERMINAL	M3 RX-V465SZ	スクリューターミナル			01
L601	--	COIL	EM-OR002-0421 TATE	コ イ ル		(ZA88830)	
L602	--	COIL	PI-OR002 TATE	コ イ ル		(WW47490)	
L603	--	COIL	EM-OR002-0421 TATE	コ イ ル		(ZA88830)	
* L604	WY259100	COIL	PI-EZ002-0034 YOKO	コ イ ル			
* -606	WY259100	COIL	PI-EZ002-0034 YOKO	コ イ ル			
* R601	WY418200	CARBON RESISTOR	220.0K 1/4 J YOKO2	カ ー ボ ン 抵 抗			
* -604	WY418200	CARBON RESISTOR	220.0K 1/4 J YOKO2	カ ー ボ ン 抵 抗			
SW601	WE24830R	PUSH SWITCH	SY17-4-2(U1D1)/T U	プ ッ シ ュ S W	} POWER DSP HPF DSP D-CONTOUR FRONT LED DISABLE		05
SW801	WW436400	SLIDE SWITCH	RSS001-223N-AAAD1B	ス ラ イ ド S W			
SW802	WW436400	SLIDE SWITCH	RSS001-223N-AAAD1B	ス ラ イ ド S W			
SW803	WH918701	PUSH SWITCH	PS-22E85L-02	プ ッ シ ュ S W			
W601	--	CONNECTOR ASSEMBLY	ACPS 2P	A C P S 束 線		(ZC25180)	
W602	--	CONNECTOR ASSEMBLY	ACINLET 1P	A C I N L E T 束 線		(WW76340)	
LD801	WP841300	LED GREEN	HFG203PJW-3-B	L E D	} POWER DSP D-CONTOUR		01
LD803	WP841400	LED YELLOW	HFY103PJW-3-B	L E D			
LD804	WP841300	LED GREEN	HFG203PJW-3-B	L E D	} SIGNAL		01
LD805	WP841200	LED RED	HFR203PJW-3-B	L E D			
LD806	WP841200	LED RED	HFR203PJW-3-B	L E D	} PROTECTION LIMIT		01
C607	WK413800	MONOLITHIC CERAMIC CAP(CHIP)	1000P 250V J RECT.	チ ッ プ 積 層 セ ラ コ ン			
-618	WK413800	MONOLITHIC CERAMIC CAP(CHIP)	1000P 250V J RECT.	チ ッ プ 積 層 セ ラ コ ン			01
C621	WK413800	MONOLITHIC CERAMIC CAP(CHIP)	1000P 250V J RECT.	チ ッ プ 積 層 セ ラ コ ン			01

*: New Parts

RANK: Japan only

SUB(SUB1/SUB2/SUB3/SUB4) and TWAMP

REF NO.	PART NO.	DESCRIPTION	部 品 名	REMARKS	QTY	RANK
-624	WK413800	MONOLITHIC CERAMIC CAP(CHIP)	1000P 250V J RECT.	チップ積層セラコン		01
	--	CIRCUIT BOARD	TWAMP(H)	T W A M P シ ー ト (H)	(WW65250)(YD206E0)	
CN501	WG423900	FEMALE HEADER	GSHD206 18P TE	メ ス ヘ ッ ダ ー		
L504	--	COIL	PI-EZ002-0035 YOKO	コ イ ル	(WW45610)	
L505	--	COIL	PI-EZ002-0035 YOKO	コ イ ル	(WW45610)	
W501	--	CONNECTOR ASSEMBLY	B&C 2P	B & C 束 線	(WW76460)	
C501	WN422300	ELECTROLYTIC CAP. (CHIP)	47.00 35.0V TP	チップケミコン U D		01
C503	--	ELECTROLYTIC CAPACITOR(CHIP)	10.00 50.0V TP	チップケミコン U D	(WR18190)	
C504	VZ420800	MONOLITHIC CERAMIC CAP(CHIP)	0.100 100V K RECT.	チップ積層セラコン		01
C505	WN422300	ELECTROLYTIC CAP. (CHIP)	47.00 35.0V TP	チップケミコン U D		01
C506	WN422300	ELECTROLYTIC CAP. (CHIP)	47.00 35.0V TP	チップケミコン U D		01
C507	WU447000	CERAMIC CAPACITOR (CHIP)	0.1000 50V K RECT.	チップセラ (B)		01
C510	US062220	CERAMIC CAPACITOR (CHIP)	220P 50V J RECT.	チップセラ (S L)		01
C513	US062220	CERAMIC CAPACITOR (CHIP)	220P 50V J RECT.	チップセラ (S L)		01
C514	US062220	CERAMIC CAPACITOR (CHIP)	220P 50V J RECT.	チップセラ (S L)		01
C515	WU447000	CERAMIC CAPACITOR (CHIP)	0.1000 50V K RECT.	チップセラ (B)		01
C516	VZ420800	MONOLITHIC CERAMIC CAP(CHIP)	0.100 100V K RECT.	チップ積層セラコン		01
C535	WN422300	ELECTROLYTIC CAP. (CHIP)	47.00 35.0V TP	チップケミコン U D		01
C537	US062100	CERAMIC CAPACITOR (CHIP)	100P 50V J RECT.	チップセラ (S L)		01
C538	WU447000	CERAMIC CAPACITOR (CHIP)	0.1000 50V K RECT.	チップセラ (B)		01
C539	US062100	CERAMIC CAPACITOR (CHIP)	100P 50V J RECT.	チップセラ (S L)		01
C540	US061100	CERAMIC CAPACITOR (CHIP)	10P 50V D RECT.	チップセラ (C H)		01
C541	--	CERAMIC CAPACITOR (CHIP)	560P 50V J 1608 TA	チ ッ プ セ ラ	(WW77200)	
C542	US063100	CERAMIC CAPACITOR (CHIP)	1000P 50V K RECT.	チップセラ (B)		01
C543	US061220	CERAMIC CAPACITOR (CHIP)	22P 50V J RECT.	チップセラ (C H)		01
C544	V585100R	CERAMIC CAPACITOR (CHIP)	470P 50V J KAKUTE	チップセラ C H		01
C549	WM490200	MONOLITHIC CERAMIC CAP(CHIP)	0.470 50V K 2012	チップ積層セラコン		01
-551	WM490200	MONOLITHIC CERAMIC CAP(CHIP)	0.470 50V K 2012	チップ積層セラコン		01
D502	VT332900	DIODE (CHIP)	1SS355 TE-17 TP	チップダイオード		01
D503	VT332900	DIODE (CHIP)	1SS355 TE-17 TP	チップダイオード		01
* IC501	YD177A00	IC	TDA8922CTH	I C	POWER AMP 75W 2CH	
IC503	XN242A0R	IC	TC74HC123AF	I C	SINGLE SHOT	02
L502	WG595200	CHIP INDUCTANCE	GZ1608D601 1608	チップインダクタ		
L503	WG595200	CHIP INDUCTANCE	GZ1608D601 1608	チップインダクタ		
L506	WT881500	COIL INDUCTOR (CHIP)	100U LQH43MN101J03	チップインダクタ		
L507	WT881500	COIL INDUCTOR (CHIP)	100U LQH43MN101J03	チップインダクタ		
Q513	WN072100	FET	RTF015N03TL TE	F E T		01
* Q513	ZC299700	FET	SI1304BDL-T1-GE3	F E T		
Q514	VV655700	DIGITAL TRANSISTOR	DTC144EKA TP	デジタルトランジスタ		01
Q514	WC435100	DIGITAL TRANSISTOR	KRC104S-RTK/P	デジタルトランジスタ		01
Q515	WN072100	FET	RTF015N03TL TE	F E T		01
* Q515	ZC299700	FET	SI1304BDL-T1-GE3	F E T		
Q516	VV556400	TRANSISTOR	2SC2412K Q,R,S TP	ト ラ ン ジ ス タ		01
Q516	WC529400	TRANSISTOR	KTC3875S-Y,GR-RTK	ト ラ ン ジ ス タ		01
Q517	VV556400	TRANSISTOR	2SC2412K Q,R,S TP	ト ラ ン ジ ス タ		01
Q517	WC529400	TRANSISTOR	KTC3875S-Y,GR-RTK	ト ラ ン ジ ス タ		01
R504	RD35747R	CARBON RESISTOR (CHIP)	47.0K 63M J RECT.	チ ッ プ 抵 抗		01
R505	RD357330	CARBON RESISTOR (CHIP)	33.0K 63M J RECT.	チ ッ プ 抵 抗		01
R523	RD35747R	CARBON RESISTOR (CHIP)	47.0K 63M J RECT.	チ ッ プ 抵 抗		01
R524	RD35747R	CARBON RESISTOR (CHIP)	47.0K 63M J RECT.	チ ッ プ 抵 抗		01
R531	RF456270	CARBON RESISTOR (CHIP)	2.7K D RECT.	チ ッ プ 抵 抗		
R532	RF456270	CARBON RESISTOR (CHIP)	2.7K D RECT.	チ ッ プ 抵 抗		
R533	RF35618R	CARBON RESISTOR (CHIP)	1.8K D 1608	チ ッ プ 抵 抗		01
R533	RF456180	CARBON RESISTOR (CHIP)	1.8K D RECT.	チ ッ プ 抵 抗		
R534	RD35627R	CARBON RESISTOR (CHIP)	2.7K 63M J RECT.	チ ッ プ 抵 抗		01
R535	RD35627R	CARBON RESISTOR (CHIP)	2.7K 63M J RECT.	チ ッ プ 抵 抗		01
R538	RD15710R	CARBON RESISTOR (CHIP)	10.0K 1/4 J TP	チ ッ プ 抵 抗		01
R539	RD15710R	CARBON RESISTOR (CHIP)	10.0K 1/4 J TP	チ ッ プ 抵 抗		01
R543	RD356560	CARBON RESISTOR (CHIP)	5.6K 63M J RECT.	チ ッ プ 抵 抗		01
R544	RF456270	CARBON RESISTOR (CHIP)	2.7K D RECT.	チ ッ プ 抵 抗		
R545	RF456270	CARBON RESISTOR (CHIP)	2.7K D RECT.	チ ッ プ 抵 抗		
R546	RD355100	CARBON RESISTOR (CHIP)	100.0 63M J RECT.	チ ッ プ 抵 抗		01
-548	RD355100	CARBON RESISTOR (CHIP)	100.0 63M J RECT.	チ ッ プ 抵 抗		01
R549	RD357150	CARBON RESISTOR (CHIP)	15.0K 63M J RECT.	チ ッ プ 抵 抗		01
R550	RD357100	CARBON RESISTOR (CHIP)	10.0K 63M J RECT.	チ ッ プ 抵 抗		01
R551	RD35347R	CARBON RESISTOR (CHIP)	4.7 63M J RECT.	チ ッ プ 抵 抗		01
R552	RD35518R	CARBON RESISTOR (CHIP)	180.0 63M J RECT.	チ ッ プ 抵 抗		01
R561	RF35612R	CARBON RESISTOR (CHIP)	1.2K D 1608	チ ッ プ 抵 抗		01
R561	RF456120	CARBON RESISTOR (CHIP)	1.2K D 1608	チ ッ プ 抵 抗		01

*: New Parts

RANK: Japan only

TWAMP

REF NO.	PART NO.	DESCRIPTION		部 品 名	REMARKS	QTY	RANK
R570	RD35747R	CARBON RESISTOR (CHIP)	47.0K 63M J RECT.	チ ッ プ 抵 抗			01
C508	WG348100	ELECTROLYTIC CAPACITOR	470 35.0V TP	ケ ミ コ ン			01
C509	WG348100	ELECTROLYTIC CAPACITOR	470 35.0V TP	ケ ミ コ ン			01
C511	WW502300	MONOLITHIC POLYESTER F. CAP.	0.47 63V J TP	マ イ ラ ー コ ン			
C512	WW502300	MONOLITHIC POLYESTER F. CAP.	0.47 63V J TP	マ イ ラ ー コ ン			
C527	WW502300	MONOLITHIC POLYESTER F. CAP.	0.47 63V J TP	マ イ ラ ー コ ン			
C528	WW502300	MONOLITHIC POLYESTER F. CAP.	0.47 63V J TP	マ イ ラ ー コ ン			
L501	GE300670	FERRIT BEAD	BL02RN2R1P1A TATET	フ ェ ラ イ ト ビ ー ズ			02
C517	US062220	CERAMIC CAPACITOR (CHIP)	220P 50V J RECT.	チ ッ プ セ ラ (S L)			01
C518	US064150	CERAMIC CAPACITOR (CHIP)	0.0150 50V K RECT.	チ ッ プ セ ラ (B)			01
C519	US064150	CERAMIC CAPACITOR (CHIP)	0.0150 50V K RECT.	チ ッ プ セ ラ (B)			01
C520	VZ420800	MONOLITHIC CERAMIC CAP(CHIP)	0.100 100V K RECT.	チ ッ プ 積 層 セ ラ コ ン			01
C521	VZ420800	MONOLITHIC CERAMIC CAP(CHIP)	0.100 100V K RECT.	チ ッ プ 積 層 セ ラ コ ン			01
C522	WU447000	CERAMIC CAPACITOR (CHIP)	0.1000 50V K RECT.	チ ッ プ セ ラ (B)			01
C523	WQ090100	MONOLITHIC CERAMIC CAP(CHIP)	220P 100V J KAKUTE	チ ッ プ 積 層 セ ラ コ ン			01
-526	WQ090100	MONOLITHIC CERAMIC CAP(CHIP)	220P 100V J KAKUTE	チ ッ プ 積 層 セ ラ コ ン			01
C529	WU447000	CERAMIC CAPACITOR (CHIP)	0.1000 50V K RECT.	チ ッ プ セ ラ (B)			01
-534	WU447000	CERAMIC CAPACITOR (CHIP)	0.1000 50V K RECT.	チ ッ プ セ ラ (B)			01
C536	US062100	CERAMIC CAPACITOR (CHIP)	100P 50V J RECT.	チ ッ プ セ ラ (S L)			01
C547	US063100	CERAMIC CAPACITOR (CHIP)	1000P 50V K RECT.	チ ッ プ セ ラ (B)			01
C548	V585100R	CERAMIC CAPACITOR (CHIP)	470P 50V J KAKUTE	チ ッ プ セ ラ C H			01
D501	VS59760R	DIODE (CHIP)	RB160L-40 TE25 TP	チ ッ プ ダ イ オ ー ド			01
D504	V963430R	SCHOTTKY BARRIER DIODE	RB551V-30 TE-17 TE	シ ョ ッ ト キ ダ イ オ ー ド			01
D505	V963430R	SCHOTTKY BARRIER DIODE	RB551V-30 TE-17 TE	シ ョ ッ ト キ ダ イ オ ー ド			01
D506	VT332900	DIODE (CHIP)	1SS355 TE-17 TP	チ ッ プ ダ イ オ ー ド			01
D507	VT332900	DIODE (CHIP)	1SS355 TE-17 TP	チ ッ プ ダ イ オ ー ド			01
IC502	XJ598A0R	IC	NJM78L05UA-TE1	レギュレーター C	REGULATOR +5V		02
L509	WT881500	COIL INDUCTOR (CHIP)	100U LQH43MN101J03	チ ッ プ イ ン ダ ク タ			
Q501	VV655700	DIGITAL TRANSISTOR	DTC144EKA TP	デ ジ タ ル ト ラ ン ジ ス タ			01
Q501	WC435100	DIGITAL TRANSISTOR	KRC104S-RTK/P	デ ジ タ ル ト ラ ン ジ ス タ			01
Q502	V7421801	TRANSISTOR	2SA1312-GR,BL(TE85)	ト ラ ン ジ ス タ 2 S A			01
Q502	WH372100	TRANSISTOR	KTA1517S-GR,BL TP	ト ラ ン ジ ス タ			01
Q503	WC529400	TRANSISTOR	KTC3875S-Y,GR-RTK	ト ラ ン ジ ス タ			01
-505	WC529400	TRANSISTOR	KTC3875S-Y,GR-RTK	ト ラ ン ジ ス タ			01
Q506	WC529500	TRANSISTOR	KTA1504S-Y,GR-RTK	ト ラ ン ジ ス タ			01
Q507	VV655700	DIGITAL TRANSISTOR	DTC144EKA TP	デ ジ タ ル ト ラ ン ジ ス タ			01
Q507	WC435100	DIGITAL TRANSISTOR	KRC104S-RTK/P	デ ジ タ ル ト ラ ン ジ ス タ			01
Q508	VV655300	DIGITAL TRANSISTOR	DTA144EKA TP	デ ジ タ ル ト ラ ン ジ ス タ			01
Q508	WC434900	DIGITAL TRANSISTOR	KRA104S-RTK/P	デ ジ タ ル ト ラ ン ジ ス タ			01
Q509	VV655700	DIGITAL TRANSISTOR	DTC144EKA TP	デ ジ タ ル ト ラ ン ジ ス タ			01
Q509	WC435100	DIGITAL TRANSISTOR	KRC104S-RTK/P	デ ジ タ ル ト ラ ン ジ ス タ			01
Q511	VV556500	TRANSISTOR	2SA1037AK Q,R,S TP	ト ラ ン ジ ス タ 2 S A			01
Q511	WC529500	TRANSISTOR	KTA1504S-Y,GR-RTK	ト ラ ン ジ ス タ			01
Q512	VV556400	TRANSISTOR	2SC2412K Q,R,S TP	ト ラ ン ジ ス タ			01
Q512	WC529400	TRANSISTOR	KTC3875S-Y,GR-RTK	ト ラ ン ジ ス タ			01
Q519	VV556400	TRANSISTOR	2SC2412K Q,R,S TP	ト ラ ン ジ ス タ			01
Q519	WC529400	TRANSISTOR	KTC3875S-Y,GR-RTK	ト ラ ン ジ ス タ			01
R501	RD35747R	CARBON RESISTOR (CHIP)	47.0K 63M J RECT.	チ ッ プ 抵 抗			01
R502	RD358100	CARBON RESISTOR (CHIP)	100.0K 63M J RECT.	チ ッ プ 抵 抗			01
R503	RD358100	CARBON RESISTOR (CHIP)	100.0K 63M J RECT.	チ ッ プ 抵 抗			01
R506	RD357100	CARBON RESISTOR (CHIP)	10.0K 63M J RECT.	チ ッ プ 抵 抗			01
R507	RD357560	CARBON RESISTOR (CHIP)	56.0K 63M J RECT.	チ ッ プ 抵 抗			01
R508	RD357560	CARBON RESISTOR (CHIP)	56.0K 63M J RECT.	チ ッ プ 抵 抗			01
R509	RD358100	CARBON RESISTOR (CHIP)	100.0K 63M J RECT.	チ ッ プ 抵 抗			01
R510	RD35747R	CARBON RESISTOR (CHIP)	47.0K 63M J RECT.	チ ッ プ 抵 抗			01
R511	RD357560	CARBON RESISTOR (CHIP)	56.0K 63M J RECT.	チ ッ プ 抵 抗			01
R512	RD357560	CARBON RESISTOR (CHIP)	56.0K 63M J RECT.	チ ッ プ 抵 抗			01
R513	RD35747R	CARBON RESISTOR (CHIP)	47.0K 63M J RECT.	チ ッ プ 抵 抗			01
-515	RD35747R	CARBON RESISTOR (CHIP)	47.0K 63M J RECT.	チ ッ プ 抵 抗			01
R516	RD356560	CARBON RESISTOR (CHIP)	5.6K 63M J RECT.	チ ッ プ 抵 抗			01
R517	RD358100	CARBON RESISTOR (CHIP)	100.0K 63M J RECT.	チ ッ プ 抵 抗			01
R518	RD355470	CARBON RESISTOR (CHIP)	470.0 63M J RECT.	チ ッ プ 抵 抗			01
R519	RD35747R	CARBON RESISTOR (CHIP)	47.0K 63M J RECT.	チ ッ プ 抵 抗			01
R520	RD358100	CARBON RESISTOR (CHIP)	100.0K 63M J RECT.	チ ッ プ 抵 抗			01
R521	--	CARBON RESISTOR (CHIP)	3.3K 1W F 5025	チ ッ プ 抵 抗	(WZ02200)		01
R522	--	CARBON RESISTOR (CHIP)	3.3K 1W F 5025	チ ッ プ 抵 抗	(WZ02200)		01
R525	--	CARBON RESISTOR (CHIP)	3.3K 1W F 5025	チ ッ プ 抵 抗	(WZ02200)		01
-528	--	CARBON RESISTOR (CHIP)	3.3K 1W F 5025	チ ッ プ 抵 抗	(WZ02200)		01
R529	RD35410R	CARBON RESISTOR (CHIP)	10.0 63M J RECT.	チ ッ プ 抵 抗			01
R530	RD35410R	CARBON RESISTOR (CHIP)	10.0 63M J RECT.	チ ッ プ 抵 抗			01

*: New Parts

RANK: Japan only

TWAMP

REF NO.	PART NO.	DESCRIPTION		部	品	名	REMARKS	QTY	RANK
R536	RD35410R	CARBON RESISTOR (CHIP)	10.0 63M J RECT.	チ	ッ	ブ 抵 抗			01
R537	RD35410R	CARBON RESISTOR (CHIP)	10.0 63M J RECT.	チ	ッ	ブ 抵 抗			01
R540	WU822700	CARBON RESISTOR (CHIP)	33.0 1W 5%:J 5025	チ	ッ	ブ 抵 抗			
R541	WU822700	CARBON RESISTOR (CHIP)	33.0 1W 5%:J 5025	チ	ッ	ブ 抵 抗			
R542	RD355560	CARBON RESISTOR (CHIP)	560.0 63M J RECT.	チ	ッ	ブ 抵 抗			01
R556	RD358100	CARBON RESISTOR (CHIP)	100.0K 63M J RECT.	チ	ッ	ブ 抵 抗			01
R557	RD357100	CARBON RESISTOR (CHIP)	10.0K 63M J RECT.	チ	ッ	ブ 抵 抗			01
R558	RD356100	CARBON RESISTOR (CHIP)	1.0K 63M J RECT.	チ	ッ	ブ 抵 抗			01
R559	RD356560	CARBON RESISTOR (CHIP)	5.6K 63M J RECT.	チ	ッ	ブ 抵 抗			01
R560	RD357100	CARBON RESISTOR (CHIP)	10.0K 63M J RECT.	チ	ッ	ブ 抵 抗			01
R569	RD35747R	CARBON RESISTOR (CHIP)	47.0K 63M J RECT.	チ	ッ	ブ 抵 抗			01
*	YD656C00	LOUD SPEAKER	20.3cm 8ohm	ス	ビ	— カ	DXR8 WOOFER		
*	YD655B00	LOUD SPEAKER	25.4cm 8ohm	ス	ビ	— カ	DXR10 WOOFER		
*	YD654A00	LOUD SPEAKER	30.5cm 8ohm 250W	ス	ビ	— カ	DXR12 WOOFER		
*	YD653A00	LOUD SPEAKER	38.1cm 8ohm 250W	ス	ビ	— カ	DXR15 WOOFER		
*	YD659A00	LOUD SPEAKER	3.5cm 8ohm 20W	ス	ビ	— カ	TWEETER		
*	WV988300	DC FAN	RDL5010S	D	C	フ ア ン	DXR8/DXR10		
*	WZ600800	DC FAN	RDL5010B	D	C	フ ア ン	DXR12/DXR15		

*: New Parts

RANK: Japan only

POWERED SPEAKER DXR Series

DXR8 DXR10 DXR12 DXR15

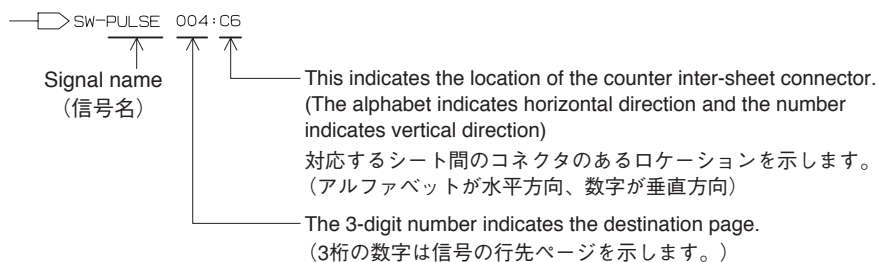
CIRCUIT DIAGRAM

■ CONTENTS (目次)

BLOCK DIAGRAM (ブロックダイアグラム)	3
LEVEL DIAGRAM (レベルダイアグラム)	4
CIRCUIT DIAGRAM (回路図)	
AMPS (001 – 004).....	5–8
DSP (001 – 002)	9–10
LED	12
SUB1	11
SUB2.....	12
SUB3.....	12
SUB4.....	12
TWAMP (001).....	13

Notation for Circuit Diagrams (回路図表記上の注意)

1. How to identify inter-sheet connectors (シート間コネクタの読み方について)



2. Connection of connectors (コネクタの接続について)

(Example)

to AMPS - CN101
(Page 5: P-3)


Page 5 are the page of a circuit diagram.
P-3 is indicates the location of the counter inter-sheet connector.
(The alphabet indicates horizontal direction and the number indicates vertical direction)

(例)


to AMPS - CN101
(Page 5: P-3)

Page 5 は回路図のページです。[5 ページ]
P-3 は対応するシート間コネクタのあるロケーションを示します。
(アルファベットが水平方向、数字が垂直方向)

■ WARNING

Components having special characteristics are marked  and must be replaced with parts having specification equal to those originally installed.

■ 安全上の注意

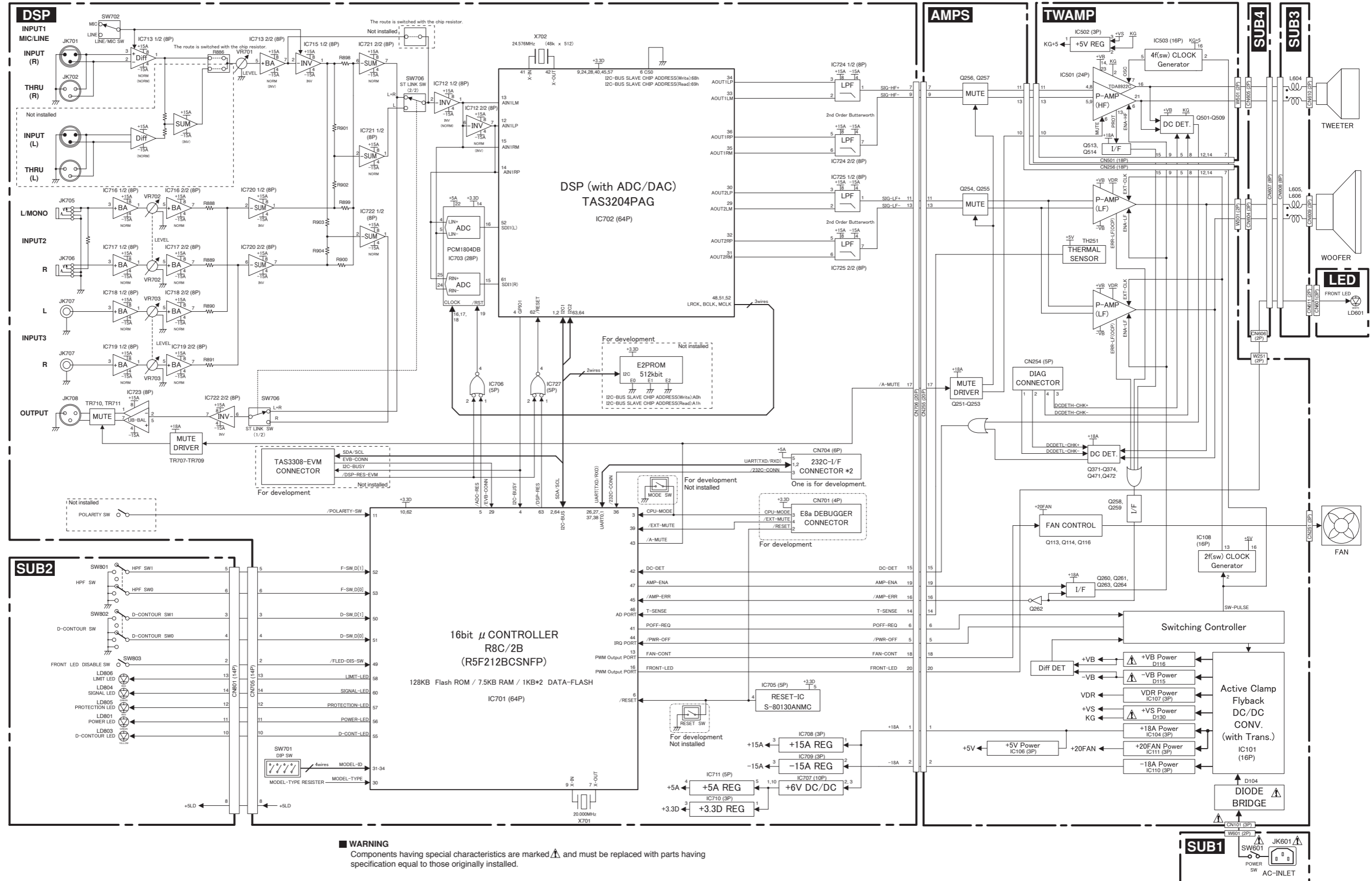
 印の部品は、安全を維持するために重要な部品です。交換する場合は、安全のために必ず指定の部品をご使用ください。

Note: See parts list for details of circuit board component parts.

注：シートの部品詳細は、パーツリストをご参照ください。

BLOCK DIAGRAM (DXR8/DXR10/DXR12/DXR15)

DXR8/DXR10/DXR12/DXR15



WARNING
 Components having special characteristics are marked and must be replaced with parts having specification equal to those originally installed.

安全上の注意
 △印の部品は、安全を維持するために重要な部品です。交換する場合は、安全のため必ず指定の部品をご使用ください。

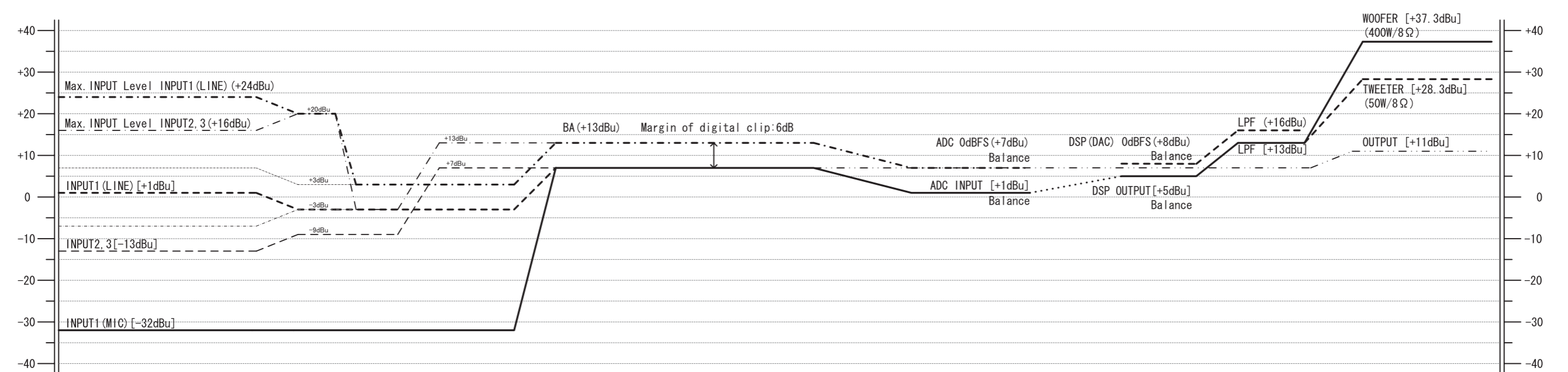
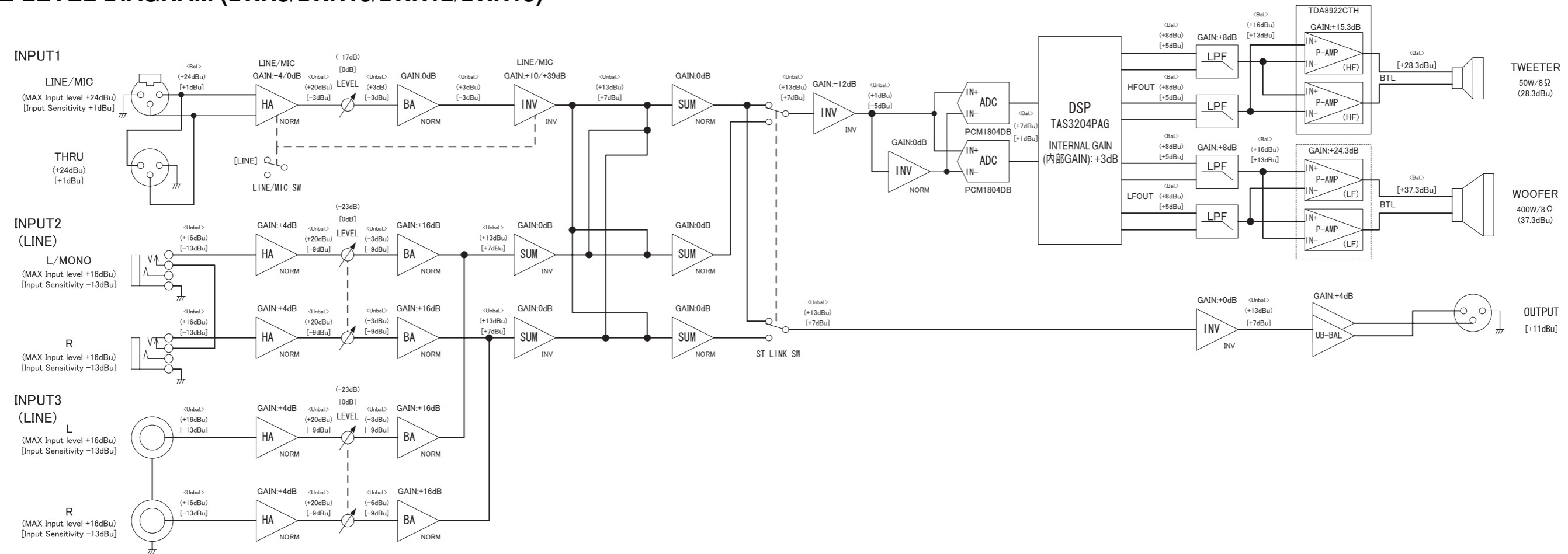
28CA1-2001079927-1

BLOCK DIAGRAM (DXR8/DXR10/DXR12/DXR15)

1
2
3
4
5
6

LEVEL DIAGRAM (DXR8/DXR10/DXR12/DXR15)

DXR8/DXR10/DXR12/DXR15

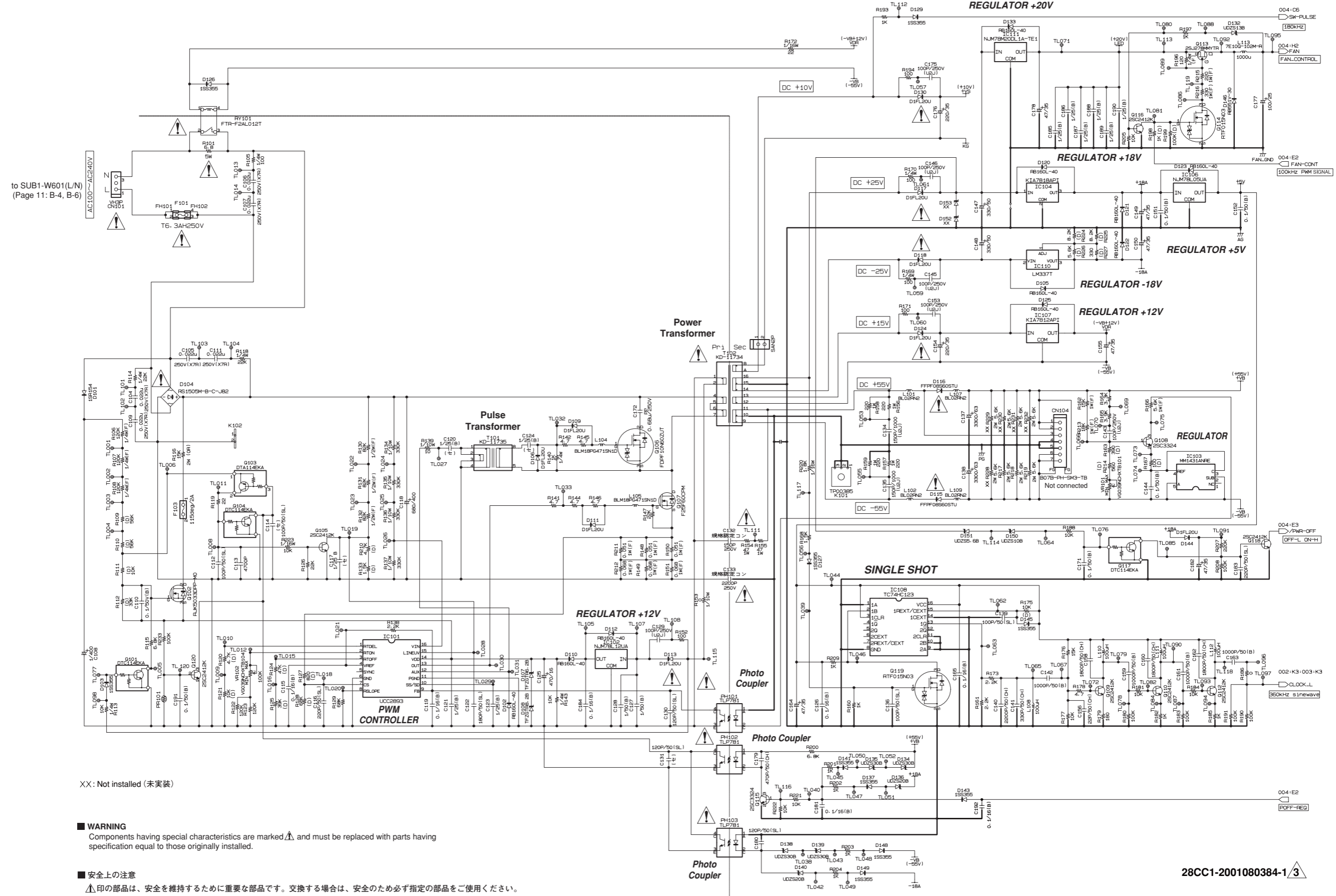


Notice
 This level diagram is based on the all internal equalizer settings are "Flat" position and all internal dynamics effects are "OFF" position.
 Because the signal of Lch is added to Rch when Lch is used by MONO, the gain becomes +6dB.

28CA1-2001079927-2

AMPS CIRCUIT DIAGRAM 001 (DXR8/DXR10/DXR12/DXR15)

DXR8/DXR10/DXR12/DXR15



XX: Not installed (未実装)

WARNING
Components having special characteristics are marked Δ and must be replaced with parts having specification equal to those originally installed.

安全上の注意
 Δ 印の部品は、安全を維持するために重要な部品です。交換する場合は、安全のため必ず指定の部品をご使用ください。

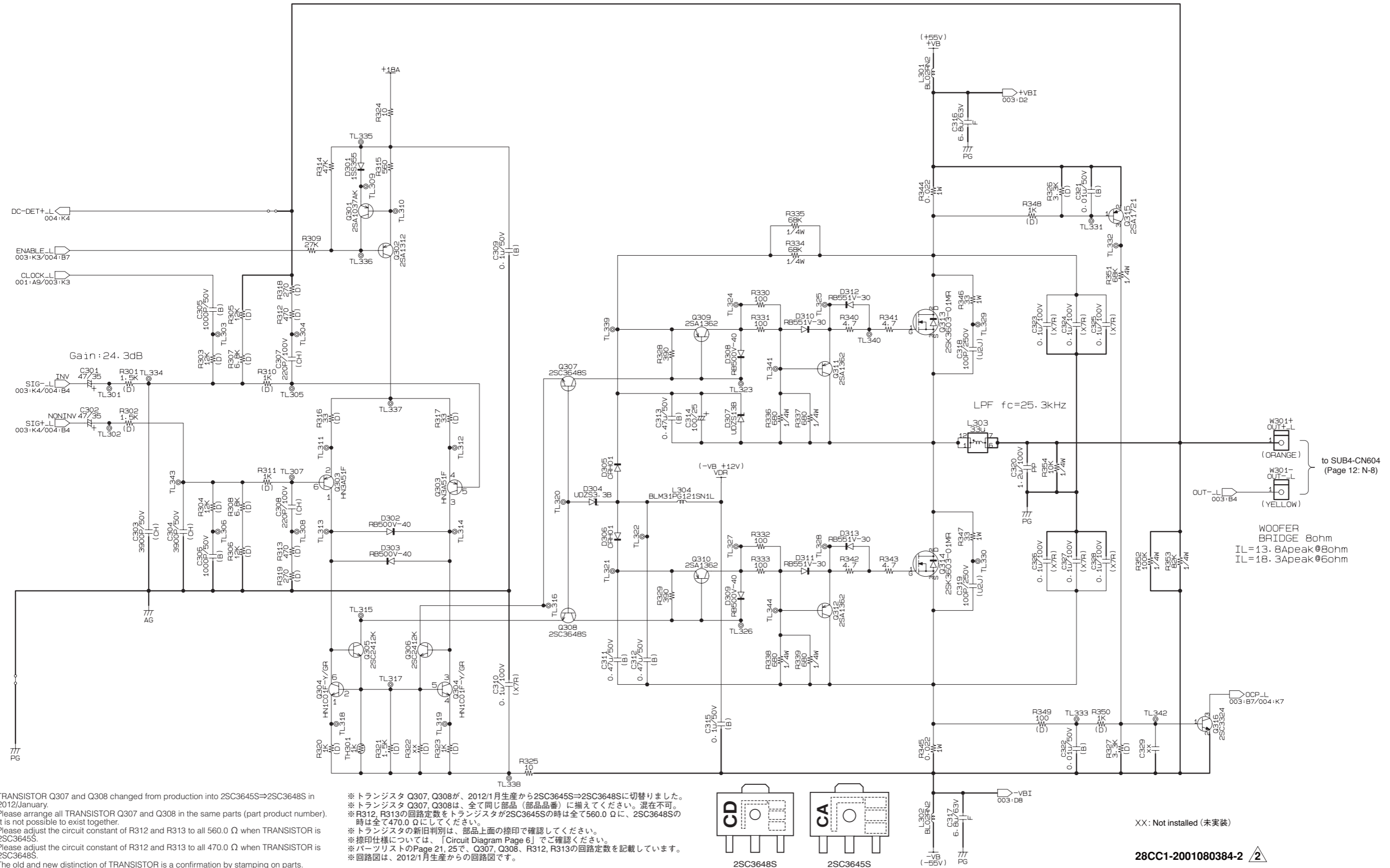
28CC1-2001080384-1/3

AMPS CIRCUIT DIAGRAM 001 (DXR8/DXR10/DXR12/DXR15)

1
2
3
4
5
6
7
8
9
10
11
12

■ AMPS CIRCUIT DIAGRAM 002 (DXR8/DXR10/DXR12/DXR15)

DXR8/DXR10/DXR12/DXR15

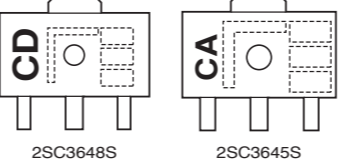


Gain: 24.3dB

LPF f_c=25.3kHz

to SUB4-CN604 (Page 12: N-8)

WOOFER BRIDGE 8ohm
IL=13.8Apeak@8ohm
IL=18.3Apeak@6ohm



* TRANSISTOR Q307 and Q308 changed from production into 2SC3645S⇒2SC3648S in 2012/January.
 * Please arrange all TRANSISTOR Q307 and Q308 in the same parts (part product number). It is not possible to exist together.
 * Please adjust the circuit constant of R312 and R313 to all 560.0 Ω when TRANSISTOR is 2SC3645S.
 * Please adjust the circuit constant of R312 and R313 to all 470.0 Ω when TRANSISTOR is 2SC3648S.
 * The old and new distinction of TRANSISTOR is a confirmation by stamping on parts.
 * Please confirm the stamping specification by "Circuit Diagram Page 6".
 * The circuit constant of Q307, Q308, R312 and R313 by Page 21 and 25 of the part lists have been described.
 * It is a circuit diagram from production in 2012/January.

※ トランジスタ Q307, Q308が、2012/1月生産から2SC3645S⇒2SC3648Sに切替りました。
 ※ トランジスタ Q307, Q308は、全て同じ部品 (部品品番) に揃えてください。混在不可。
 ※ R312, R313の回路定数をトランジスタが2SC3645Sの時は全て560.0 Ωに、2SC3648Sの時は全て470.0 Ωにしてください。
 ※ トランジスタの新旧判別は、部品上面の捺印で確認してください。
 ※ 捺印仕様については、「Circuit Diagram Page 6」でご確認ください。
 ※ パーツリストのPage 21, 25で、Q307, Q308, R312, R313の回路定数を記載しています。
 ※ 回路図は、2012/1月生産からの回路図です。

XX: Not installed (未実装)

28CC1-2001080384-2

■ AMPS CIRCUIT DIAGRAM 002 (DXR8/DXR10/DXR12/DXR15)

L

K

J

I

H

G

F

E

D

C

B

A

AMPS CIRCUIT DIAGRAM 003 (DXR8/DXR10/DXR12/DXR15)

DXR8/DXR10/DXR12/DXR15

- * TRANSISTOR Q407 and Q408 changed from production into 2SC3645S⇒2SC3648S in 2012/January.
- * Please arrange all TRANSISTOR Q407 and Q408 in the same parts (part product number). It is not possible to exist together.
- * Please adjust the circuit constant of R412 and R413 to all 560.0 Ω when TRANSISTOR is 2SC3645S.
- * Please adjust the circuit constant of R412 and R413 to all 470.0 Ω when TRANSISTOR is 2SC3648S.
- * The old and new distinction of TRANSISTOR is a confirmation by stamping on parts.
- * Please confirm the stamping specification by "Circuit Diagram Page 7".
- * The circuit constant of Q407, Q408, R412 and R413 by Page 21 and 25 of the part lists have been described.
- * It is a circuit diagram from production in 2012/January.

- * トランジスタ Q407, Q408が、2012/1月生産から2SC3645S⇒2SC3648Sに切替りました。
- * トランジスタ Q407, Q408は、全て同じ部品 (部品番番) に揃えてください。混在不可。
- * R412, R413の回路定数をトランジスタが2SC3645Sの時は全て560.0 Ωに、2SC3648Sの時は全て470.0 Ωにしてください。
- * トランジスタの新旧判別は、部品上面の捺印で確認してください。
- * 捺印仕様については、「Circuit Diagram Page 7」でご確認ください。
- * パーツリストのPage 21, 25で、Q407, Q408, R412, R413の回路定数を記載しています。
- * 回路図は、2012/1月生産からの回路図です。

×× : Not installed (未実装)

28CC1-2001080384-3

AMPS CIRCUIT DIAGRAM 003 (DXR8/DXR10/DXR12/DXR15)

7

1

2

3

4

5

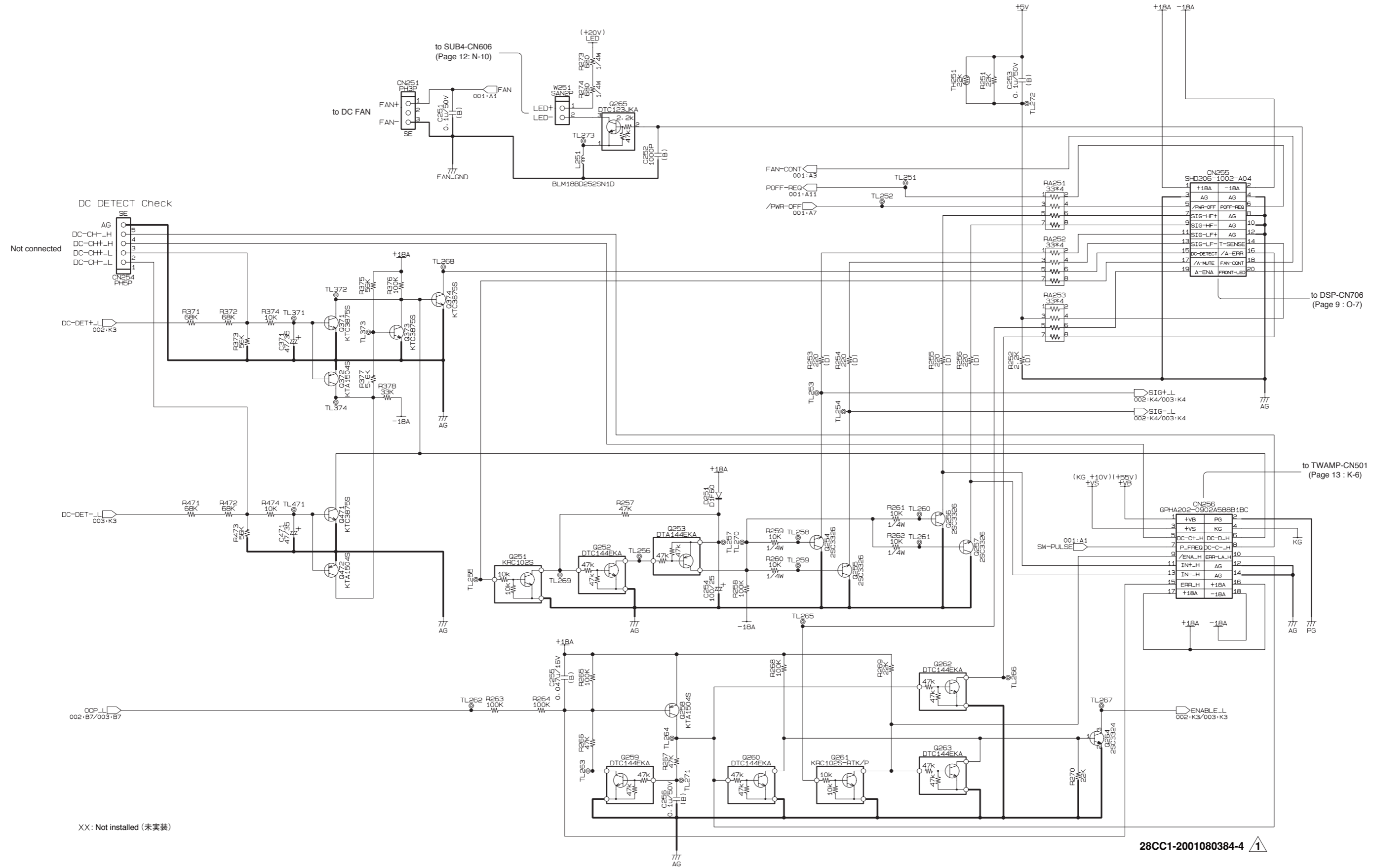
6

7

8

AMPS CIRCUIT DIAGRAM 004 (DXR8/DXR10/DXR12/DXR15)

DXR8/DXR10/DXR12/DXR15



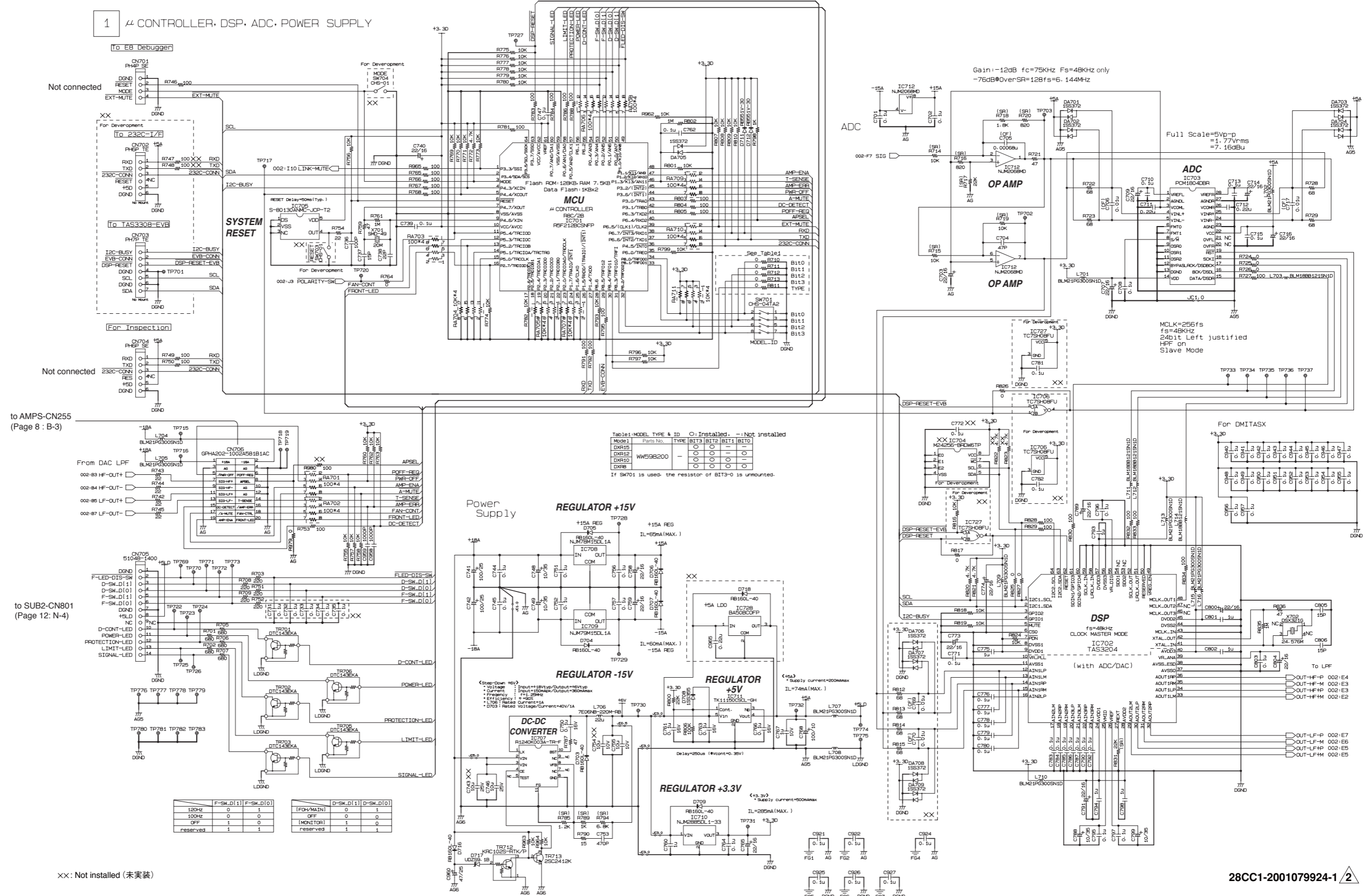
XX: Not installed (未実装)

28CC1-2001080384-4 1

AMPS CIRCUIT DIAGRAM 004 (DXR8/DXR10/DXR12/DXR15)

DSP CIRCUIT DIAGRAM 001 (DXR8/DXR10/DXR12/DXR15)

DXR8/DXR10/DXR12/DXR15



1 μ CONTROLLER, DSP, ADC, POWER SUPPLY

Table1: MODEL TYPE & ID

Model	Parts No.	TYPE	BIT3	BIT2	BIT1	BIT0
DXR15	WW598200	○	○	○	○	○
DXR12		○	○	○	○	○
DXR10		○	○	○	○	○
DXR8		○	○	○	○	○

If SW701 is used, the resistor of BIT3=0 is unmounted.

to AMPS-CN255 (Page 8 : B-3)

to SUB2-CN801 (Page 12: N-4)

XX: Not installed (未実装)

F-SW.D11	F-SW.D10	D-SW.D11	D-SW.D10
120Hz	0	0	1
100Hz	0	0	0
OFF	1	0	0
reserved	1	1	1

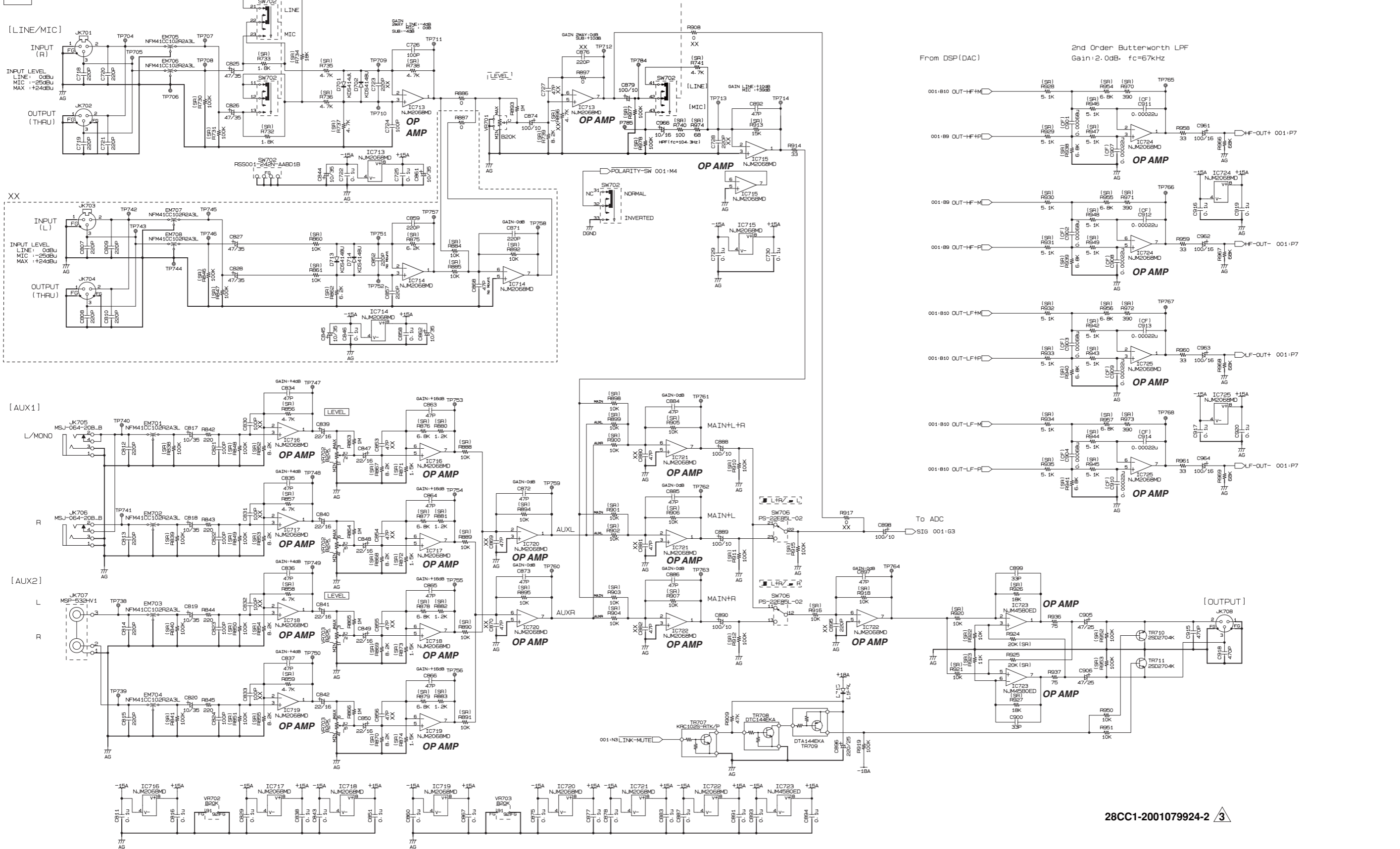
28CC1-2001079924-1/2

1
2
3
4
5
6
7
8
9
10
11
12

DSP CIRCUIT DIAGRAM 002 (DXR8/DXR10/DXR12/DXR15)

DXR8/DXR10/DXR12/DXR15

2 ANALOG IN/OUT

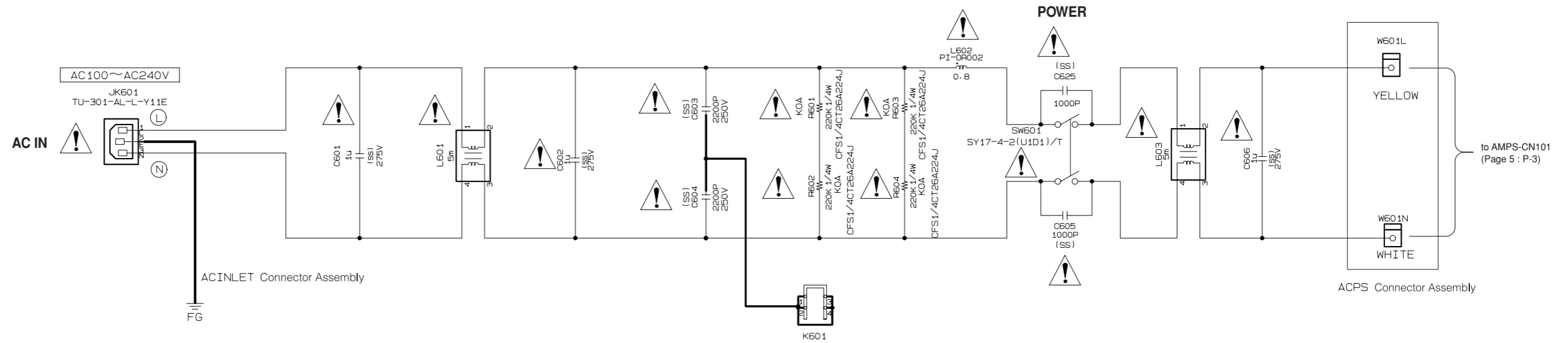


XX: Not installed (未実装)

DSP CIRCUIT DIAGRAM 002 (DXR8/DXR10/DXR12/DXR15)

SUB1 CIRCUIT DIAGRAM (DXR8/DXR10/DXR12/DXR15)

DXR8/DXR10/DXR12/DXR15



××: Not installed (未実装)

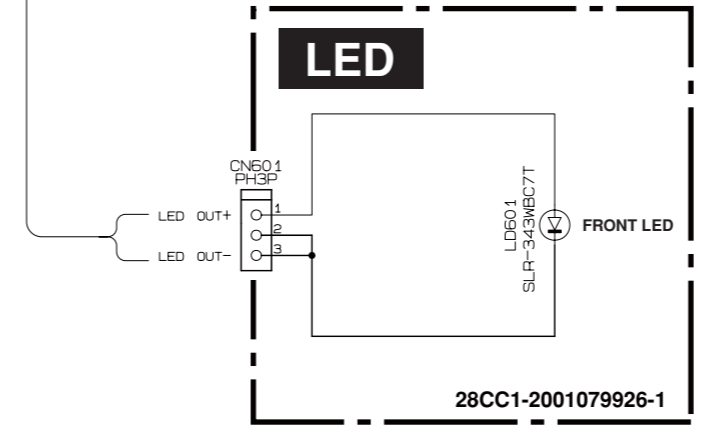
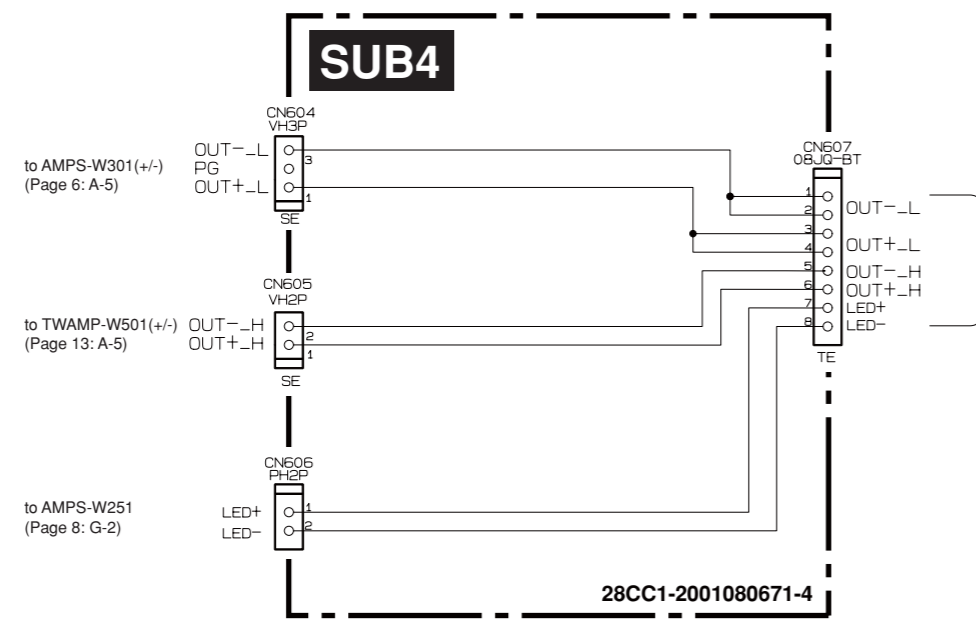
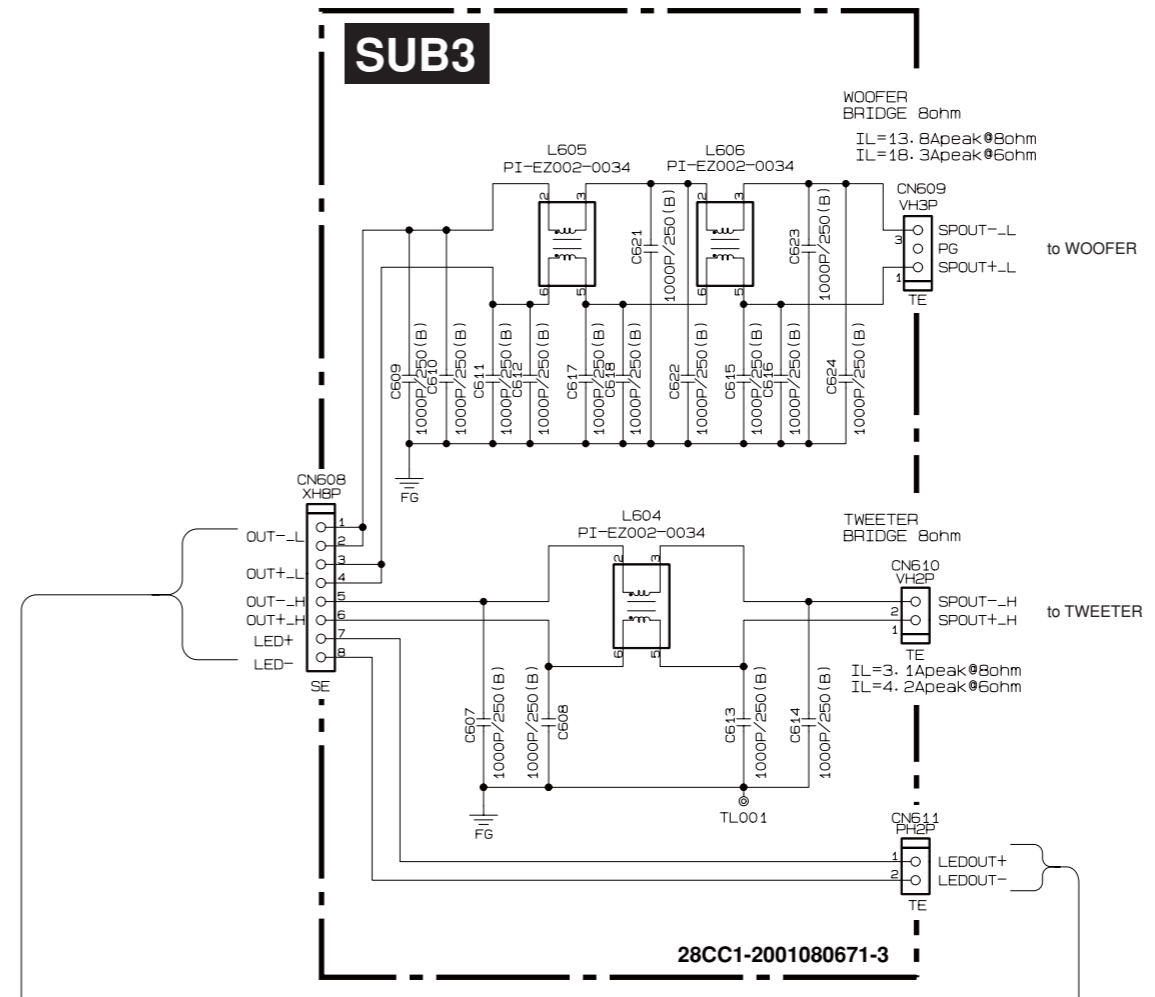
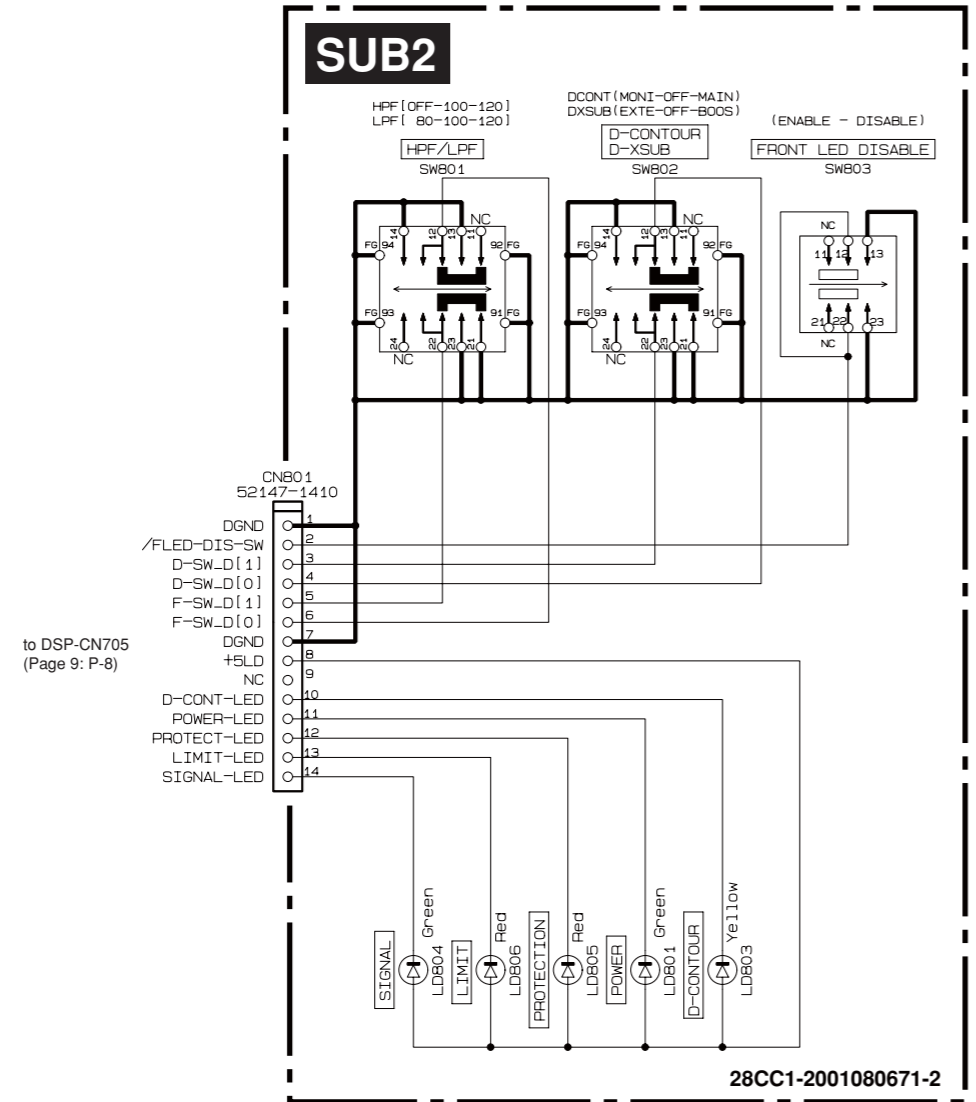
WARNING
 Components having special characteristics are marked with a triangle symbol and must be replaced with parts having specification equal to those originally installed.

安全上の注意
 印の部品は、安全を維持するために重要な部品です。交換する場合は、安全のため必ず指定の部品をご使用ください。

28CC1-2001080671-1

■ LED, SUB2, SUB3, SUB4 CIRCUIT DIAGRAM (DXR8/DXR10/DXR12/DXR15)

DXR8/DXR10/DXR12/DXR15

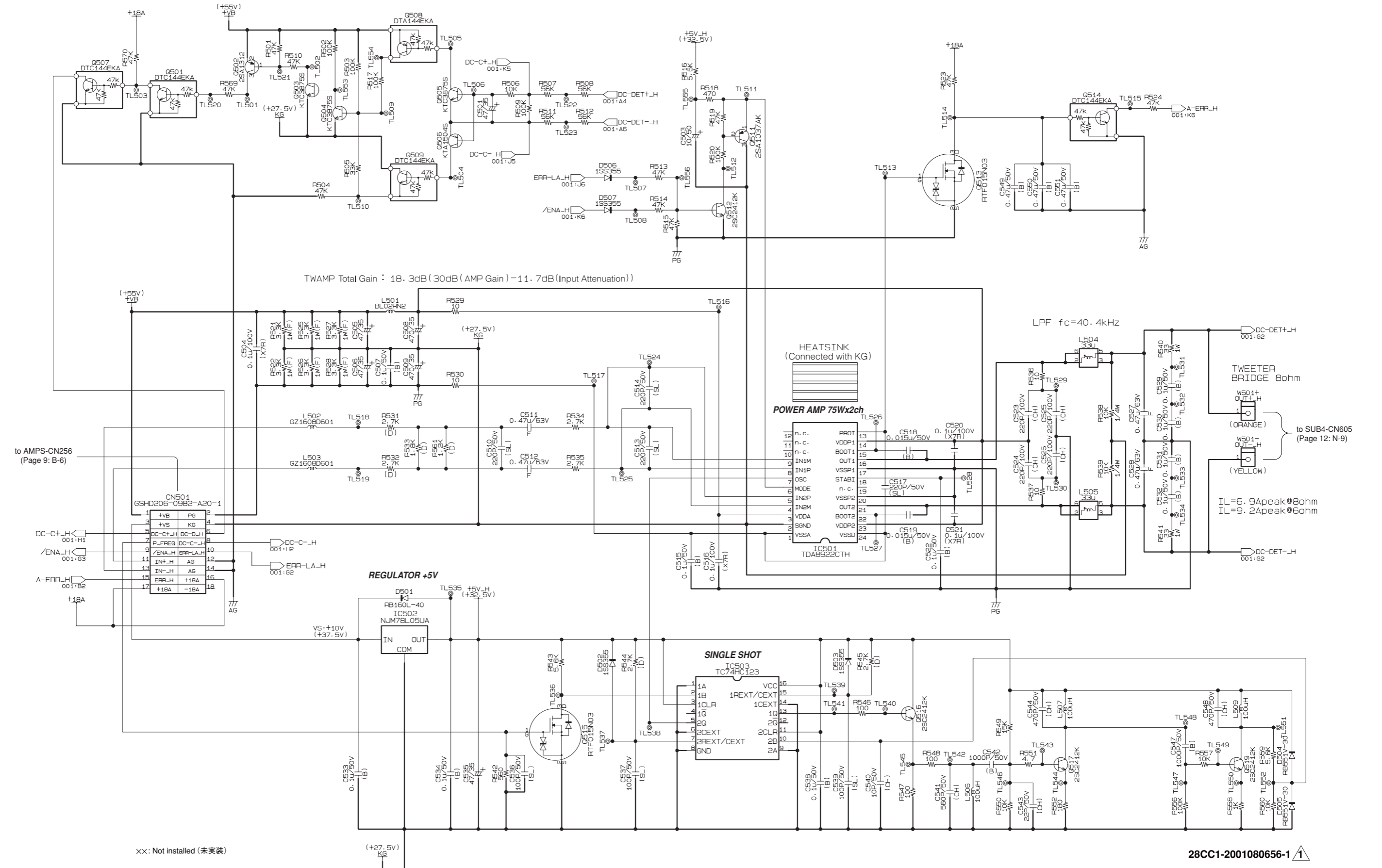


■ LED, SUB2, SUB3, SUB4 CIRCUIT DIAGRAM (DXR8/DXR10/DXR12/DXR15)

1
2
3
4
5
6
7
8
9
10
11

TWAMP CIRCUIT DIAGRAM 001 (DXR8/DXR10/DXR12/DXR15)

DXR8/DXR10/DXR12/DXR15



TWAMP Total Gain : 18.3dB (30dB (AMP Gain) - 11.7dB (Input Attenuation))

LPF fc=40.4kHz

HEATSINK (Connected with KG)

POWER AMP 75Wx2ch

REGULATOR +5V

SINGLE SHOT

xx: Not installed (未実装)

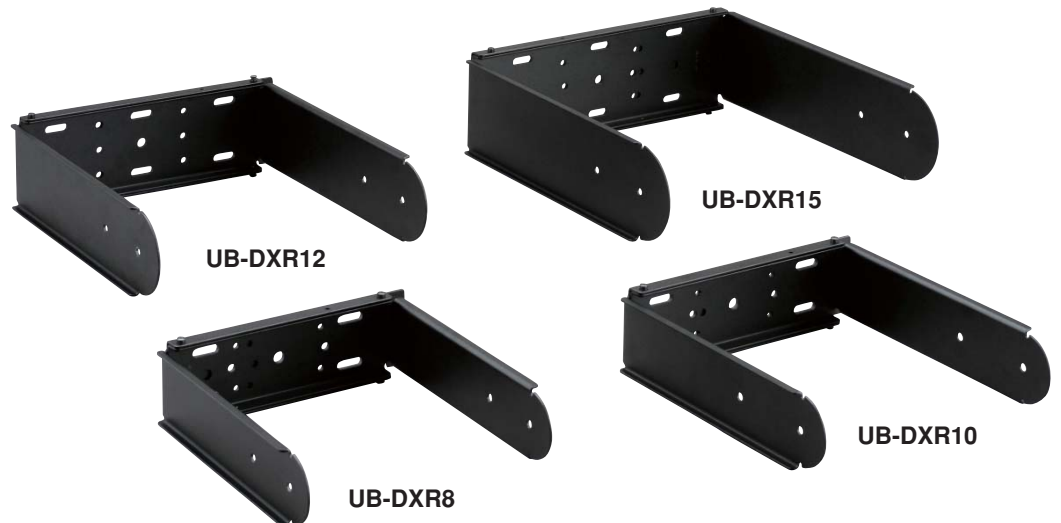
28CC1-2001080656-1

TWAMP CIRCUIT DIAGRAM 001 (DXR8/DXR10/DXR12/DXR15)

U BRACKET

UB-DXR8 / UB-DXR10 / UB-DXR12 / UB-DXR15

SERVICE MANUAL



■ CONTENTS (目次)

DIMENSIONS (寸法図).....	2
PARTS LIST (パーツリスト)	
COMPLETE ASSEMBLY (同梱品セット)	4

PA 012041

UB-DXR8: 201202-10500
UB-DXR10: 201202-10500

UB-DXR12: 201202-15750
UB-DXR15: 201202-15750

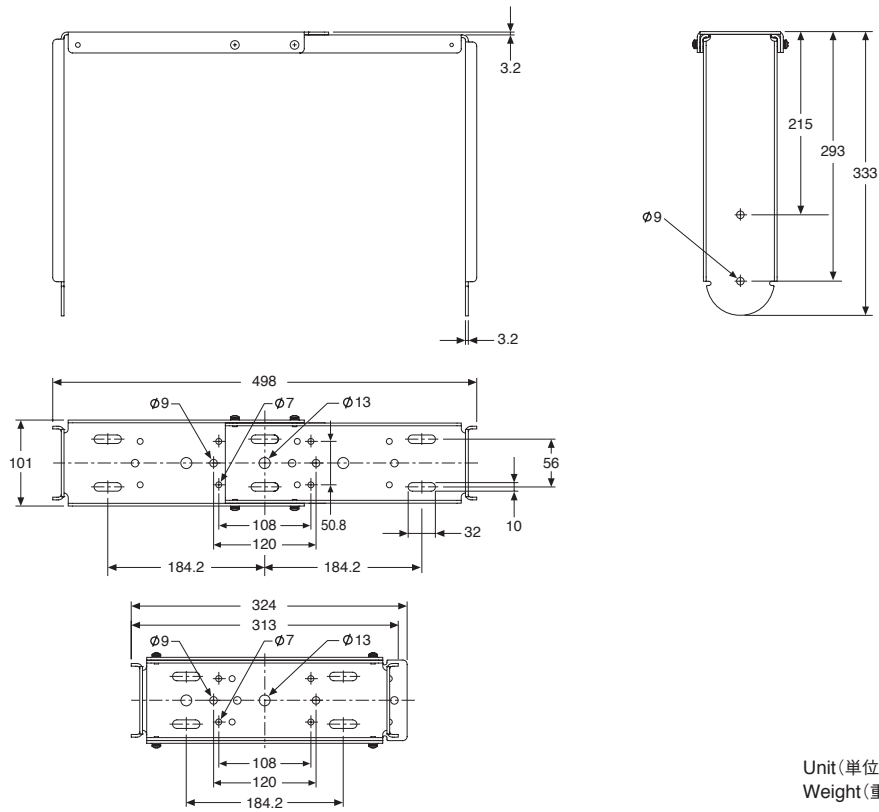


HAMAMATSU, JAPAN

Copyright (c) Yamaha Corporation. All rights reserved. PDF (R) (C) '12.03

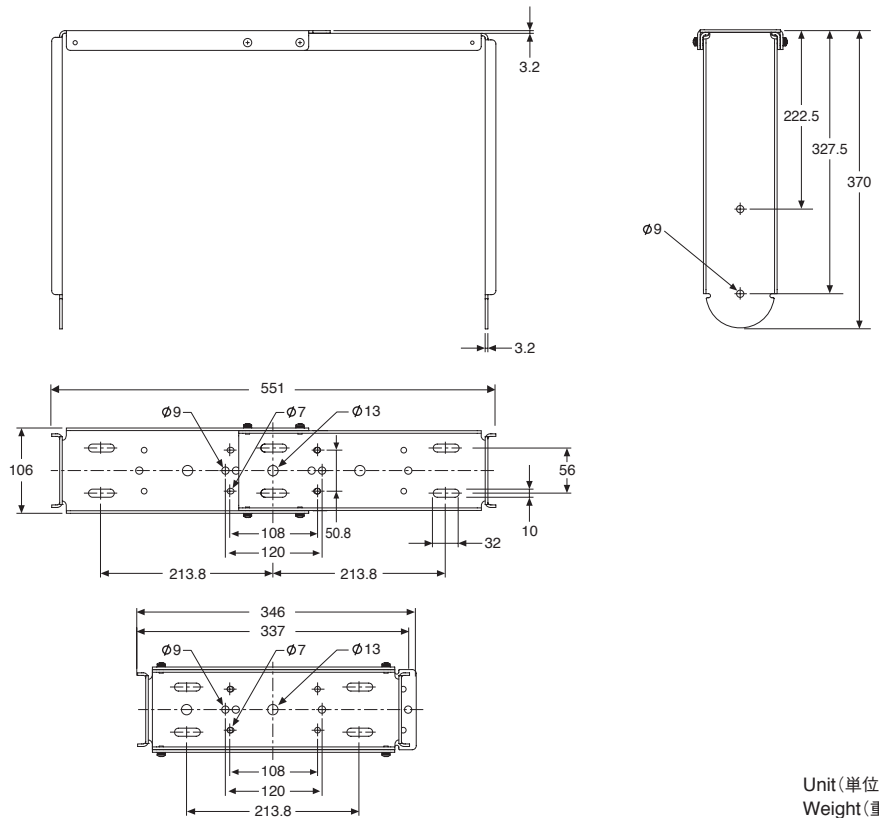
DIMENSIONS (寸法図)

• UB-DXR8



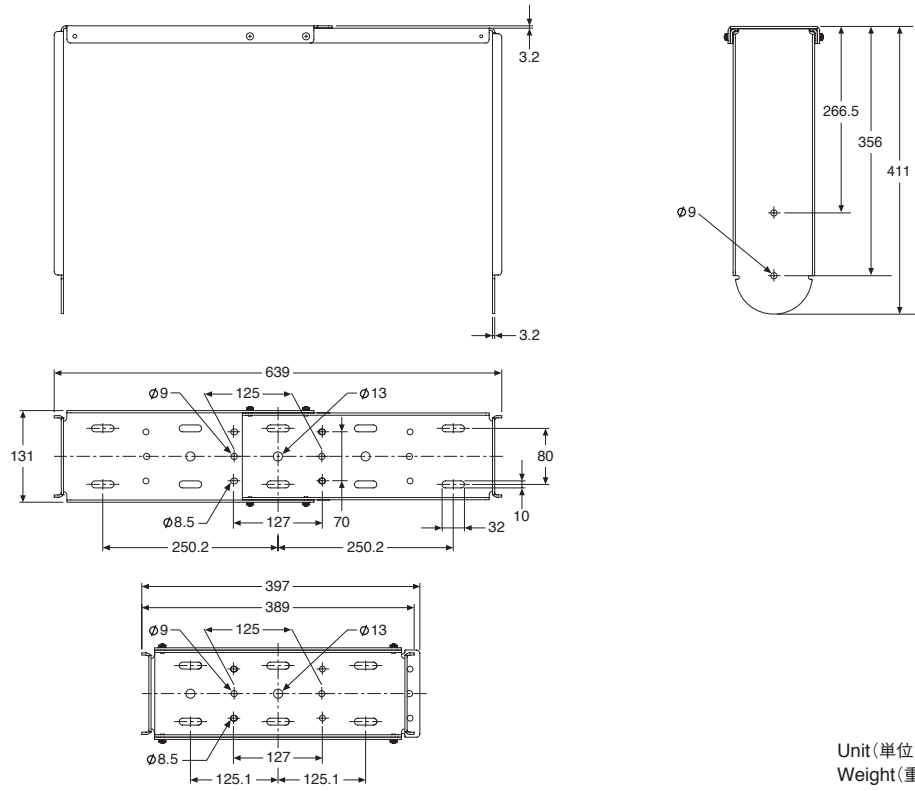
Unit(単位): mm
Weight(重量): 3.7kg

• UB-DXR10



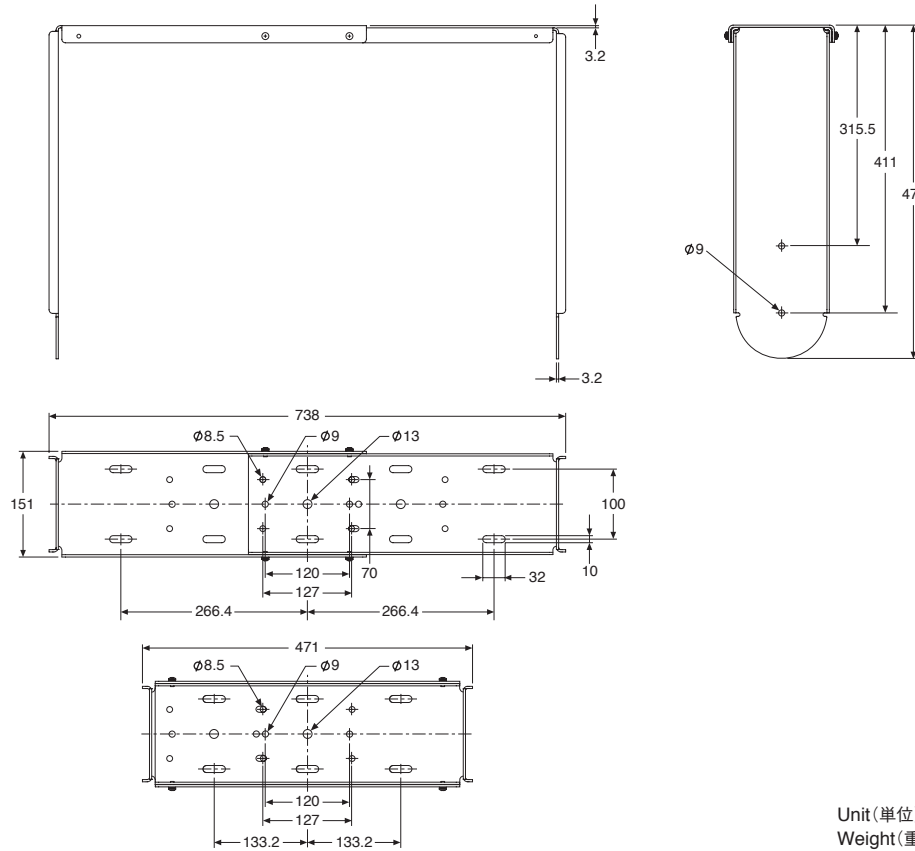
Unit(単位): mm
Weight(重量): 4.2kg

• UB-DXR12



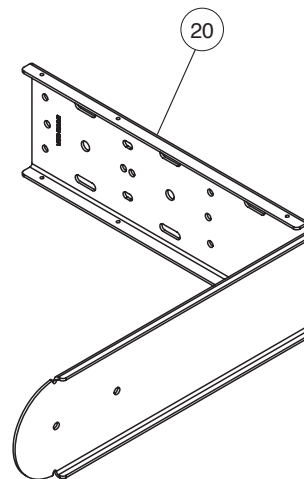
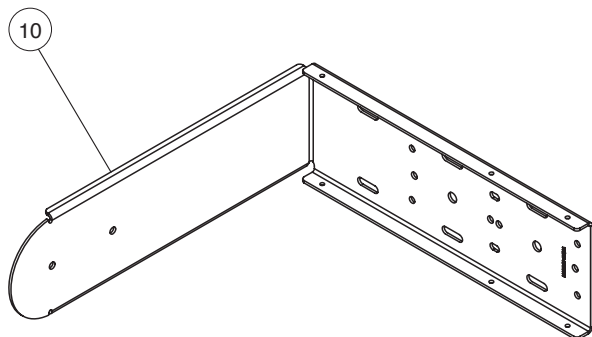
Unit(単位): mm
Weight(重量): 5.7kg

• UB-DXR15



Unit(単位): mm
Weight(重量): 7.6kg

COMPLETE ASSEMBLY (同梱品セット)



40 ACCESSORIES SET (付属品セット)

<p>A10</p>	<p>A30 SCREW SET (ネジセット)</p> <p>A30a</p> <p>A30b (5.0 x 10)</p> <p>A30c (5.0 x 16)</p> <p>A30d (M8.0 x 25)</p> <p>A30e</p> <p>A30f</p>
<p>A20 RUBBER SPACER ASSEMBLY (ラバースペーサーAss'y)</p>	

REF NO.	PART NO.	DESCRIPTION		部 品 名	REMARKS	QTY	RANK
	--	COMPLETE ASSEMBLY		同 梱 品 セ ッ ト	UB-DXR8/UB-DXR10/UB-DXR12/UB-DXR15		
	--	COMPLETE ASSEMBLY		同 梱 品 セ ッ ト	UB-DXR8 (WW99020)		
	--	COMPLETE ASSEMBLY		同 梱 品 セ ッ ト	UB-DXR10 (WW99010)		
	--	COMPLETE ASSEMBLY		同 梱 品 セ ッ ト	UB-DXR12 (WW99000)		
	--	COMPLETE ASSEMBLY		同 梱 品 セ ッ ト	UB-DXR15 (WW98990)		
10	--	BRACKET A		ブ ラ ケ ッ ト A	UB-DXR8 (WY16830)		
10	--	BRACKET A		ブ ラ ケ ッ ト A	UB-DXR10 (WY16800)		
10	--	BRACKET A		ブ ラ ケ ッ ト A	UB-DXR12 (WY16770)		
10	--	BRACKET A		ブ ラ ケ ッ ト A	UB-DXR15 (WY16730)		
20	--	BRACKET B		ブ ラ ケ ッ ト B	UB-DXR8 (WY16840)		
20	--	BRACKET B		ブ ラ ケ ッ ト B	UB-DXR10 (WY16810)		
20	--	BRACKET B		ブ ラ ケ ッ ト B	UB-DXR12 (WY16780)		
20	--	BRACKET B		ブ ラ ケ ッ ト B	UB-DXR15 (WY16750)		
40	--	ACCESSORIES SET		付 属 品 セ ッ ト	UB-DXR8/UB-DXR12 (WZ17160)		
40	--	ACCESSORIES SET		付 属 品 セ ッ ト	UB-DXR10 (WZ17170)		
40	--	ACCESSORIES SET		付 属 品 セ ッ ト	UB-DXR15 (WZ17150)		
	--	ACCESSORIES SET		付 属 品 セ ッ ト	UB-DXR8/UB-DXR12 (WZ17160)		
	--	ACCESSORIES SET		付 属 品 セ ッ ト	UB-DXR10 (WZ17170)		
	--	ACCESSORIES SET		付 属 品 セ ッ ト	UB-DXR15 (WZ17150)		
* A10	WY620900	STAY PLATE 12(8)		ステイプレート12(8)	UB-DXR8/UB-DXR12		
* A10	WY797200	STAY PLATE 10		ステイプレート10	UB-DXR10		
* A10	WY620800	STAY PLATE 15		ステイプレート15	UB-DXR15		
* A20	WZ176300	RUBBER SPACER ASSEMBLY		ラバースペースアッセンブリ		2	
A20a	--	RUBBER SPACER	t=10mm	ラバースペース	(WY16870)	2	
A20b	--	ADHESIVE TAPE	φ30	両面テープ	(WZ17610)	2	
A30	--	SCREW SET		ネジセット	(WZ17250)		
A30a	WY794500	SPACER	t=3.2mm	スペーサー		2	
A30b	WZ023800	BIND HEAD SCREW	5.0X10 MFZN2B3 SP	小ネジ+BIND		4	
A30c	WF001200	BIND HEAD SCREW	5.0X16 MFZN2B3 SP	小ネジ+BIND		2	01
A30d	WT670300	LEG MOUNTING BOLT	M8.0X25 MFZN2B3	ボルトHEX		2	04
A30e	WK711201	SPRING WASHER	#2 8.0 MFZN2B3	バネ座金		2	00
* A30f	WY926700	PLAIN WASHER	8.0X18X1.6 MFZN2B3	平座みがり		2	

*: New Parts

RANK: Japan only