

Technical Manual



JBL PRX415M

SPECIFICATIONS

ACOUSTIC & ELECTRICAL SPECIFICATIONS:

- Nominal Impedance: 8 Ohms
- System Power Rating, Pink Noise: 300W / 600W / 1200W, 2 hrs (Continuous/Program/Peak)
- Frequency Response (± 3 dB): 66 Hz – 16 kHz
- Frequency Range (-10 dB): 55 Hz – 19 kHz
- Maximum SPL: 122 dB SPL peak (128 dB SPL peak)
- System Sensitivity: 98 dB SPL 1 watt @ 1 meter
- Crossover Frequency: 2.2 kHz

SYSTEM COMPONENTS:

- Cabinet: Enclosure (Not For Sale)
- Grille: 444773-002
- Low Frequency Transducer: M115-8A, 380 mm (15 in) Differential Drive[®] woofer
- D.C. Resistance: 5.3 ohm
- High Frequency Transducer: 2414H-C, 25 mm polymer diaphragm
- D.C. Resistance: 3.60 ohm +/- 0.2 ohm
- Input Cup Assembly: 5011407

AURAL SWEEP TEST SPECIFICATIONS:

- A. System. Aural Sweep Test: 7V Input, 40 Hz to 20 kHz
- B. L.F. Aural Sweep Test: 6V Input, 20 Hz to 200 Hz
- C. H.F. Aural Sweep Test: 0.75 Input, 500 Hz to 1.5 kHz

PHYSICAL SPECIFICATIONS:

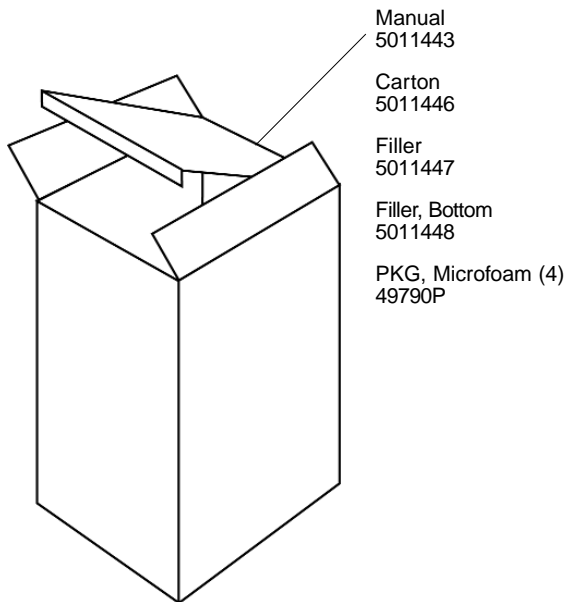
- Enclosure Dimensions: 650 x 429 x 457 mm D (25.6 x 16.9 x 18 in. D)
- Net Weight: 46 lb (21 kg)

WARRANTY INFORMATION:

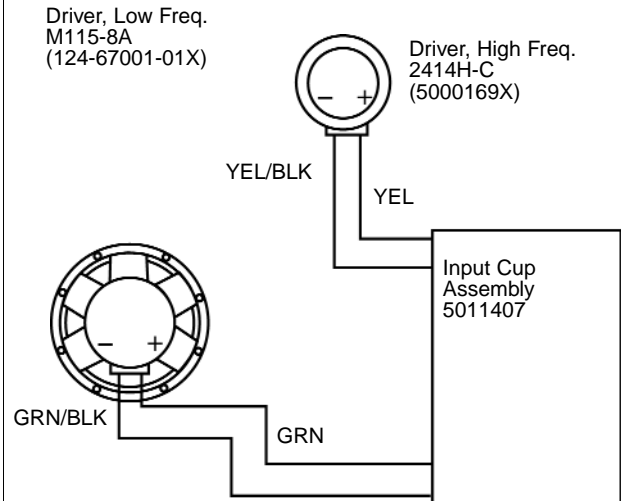
- Refer to Warranty Statement packed with each product.

PACKAGE

Warranty Card 59660



WIRING DIAGRAM

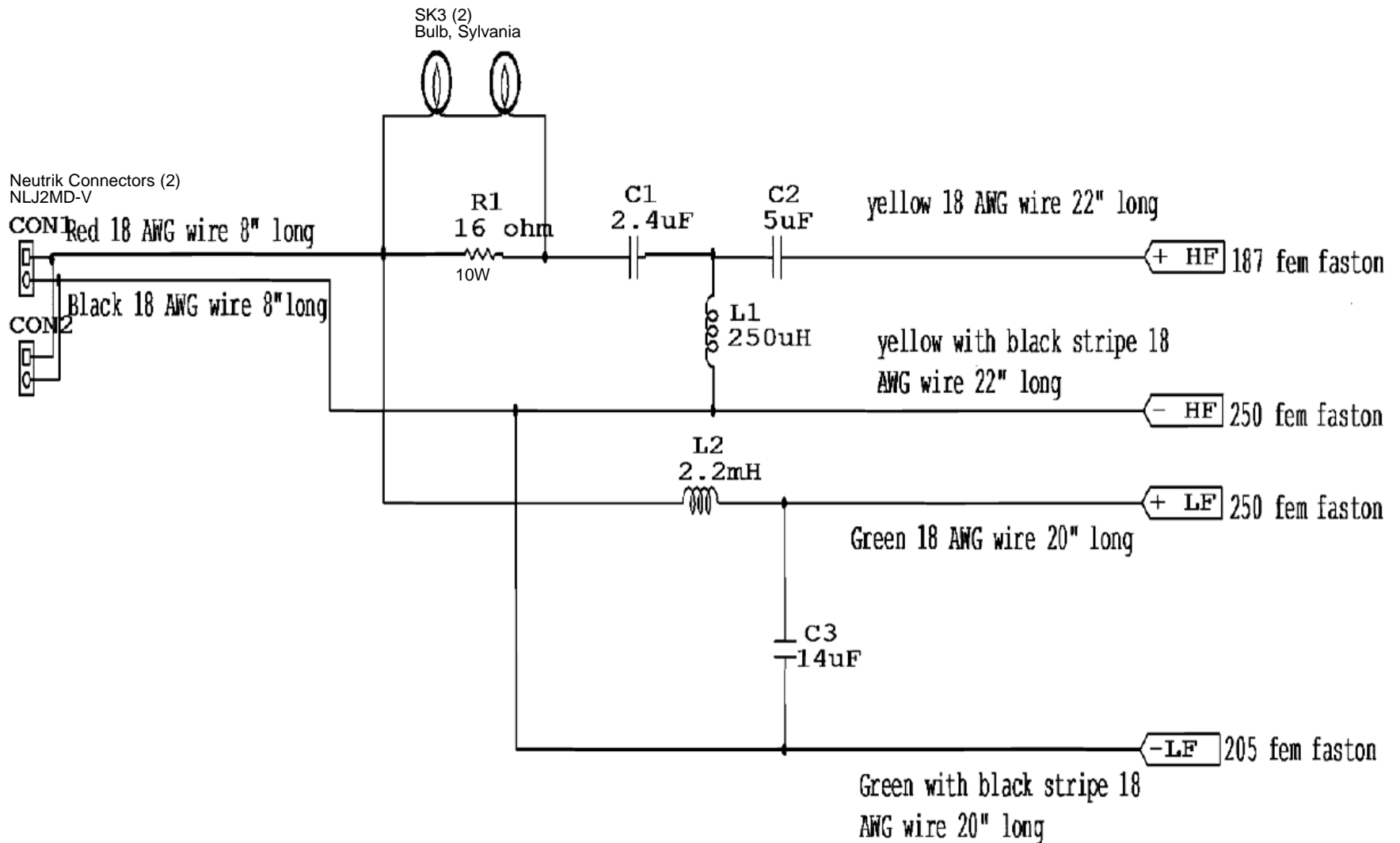


SEE NETWORK SCHEMATIC (5011407) PAGE 2

NOTE: INDIVIDUAL PARTS FOR THE ABOVE CROSSOVER ARE NOT AVAILABLE. A COMPLETE REPLACEMENT ASSEMBLY SHOULD BE ORDERED.

JBL PRX415M

INPUT CUP ASSEMBLY - (5011407)



Individual Parts for the above crossover are not available.
A complete replacement assembly should be ordered.

JBL PRX415M

COMPONENT EXPLODED VIEW

