

Technical Manual



JBL SRX828S

SPECIFICATIONS

ACOUSTIC & ELECTRICAL SPECIFICATIONS:

- Maximum SPL Output: 141 dB
- Frequency Range (-10 dB): 30Hz – 150Hz
- Frequency Response (-3 dB): 47Hz – 120Hz
- System Power Rating: 4800W Peak, 2400W Program, 1200W Continuous
- Nominal Impedance: 4 Ohm
- Crossover Frequency: 80Hz

SYSTEM COMPONENTS:

- Cabinet: Enclosure (Not For Sale)
- Grille: 5050159
- Low Frequency Driver: 2 X 2279H, 18 inch (460mm) woofers
- D.C.Resistance: 5.4 ohm +/- 10%

AURAL SWEEP TEST SPECIFICATIONS:

- A. System.Aural Sweep Test: 7.0V Input, 30 Hz Ito 300 Hz
- B. L.F.Aural Sweep Test: 14.0V Input, 10 Hz to 100 Hz

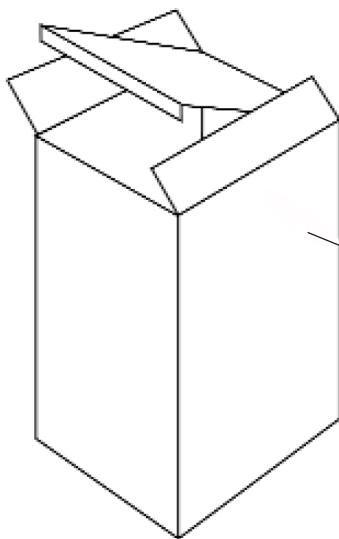
PHYSICAL SPECIFICATIONS:

- Dimensions (L x W x H): 26.79" x 47.42" x 22.57"
(681mm x 1205mm x 574mm)
- Weight: 137.0 lbs (62.1 kg)

WARRANTY INFORMATION:

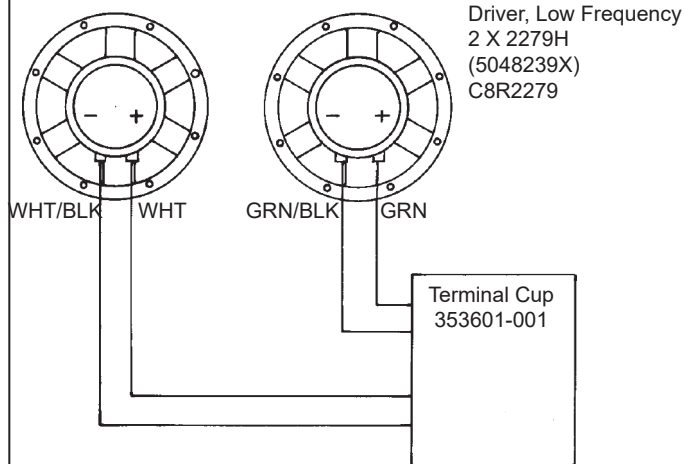
- Refer to Warranty Statement posted on-line.

PACKAGE



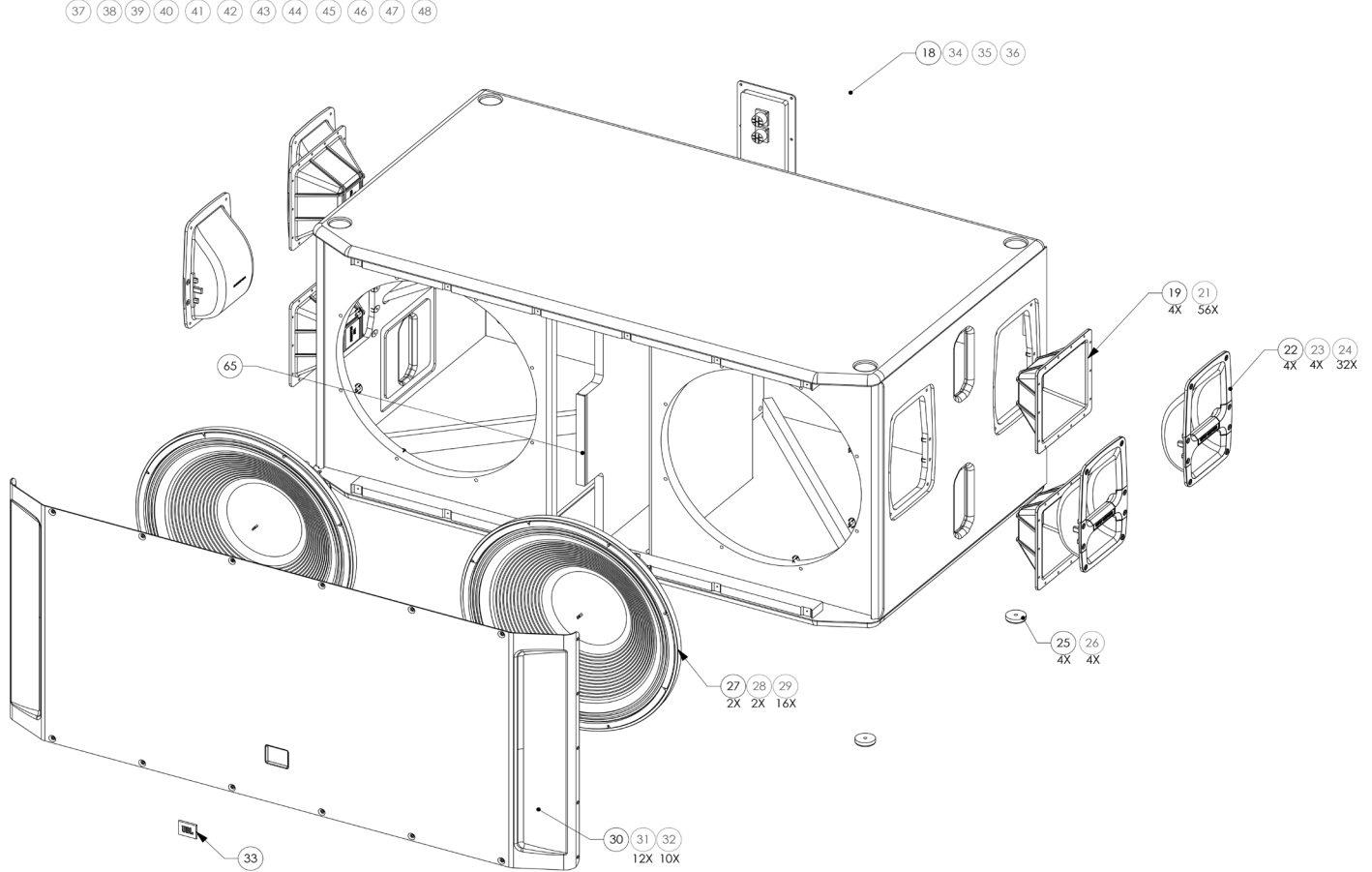
- Warranty Card 59660
- Carton 5056189
- Filler (2) 5054100
- PKG, Microfoam (8) 49790P

WIRING DIAGRAM



JBL SRX828S

COMPONENT EXPLODED VIEW



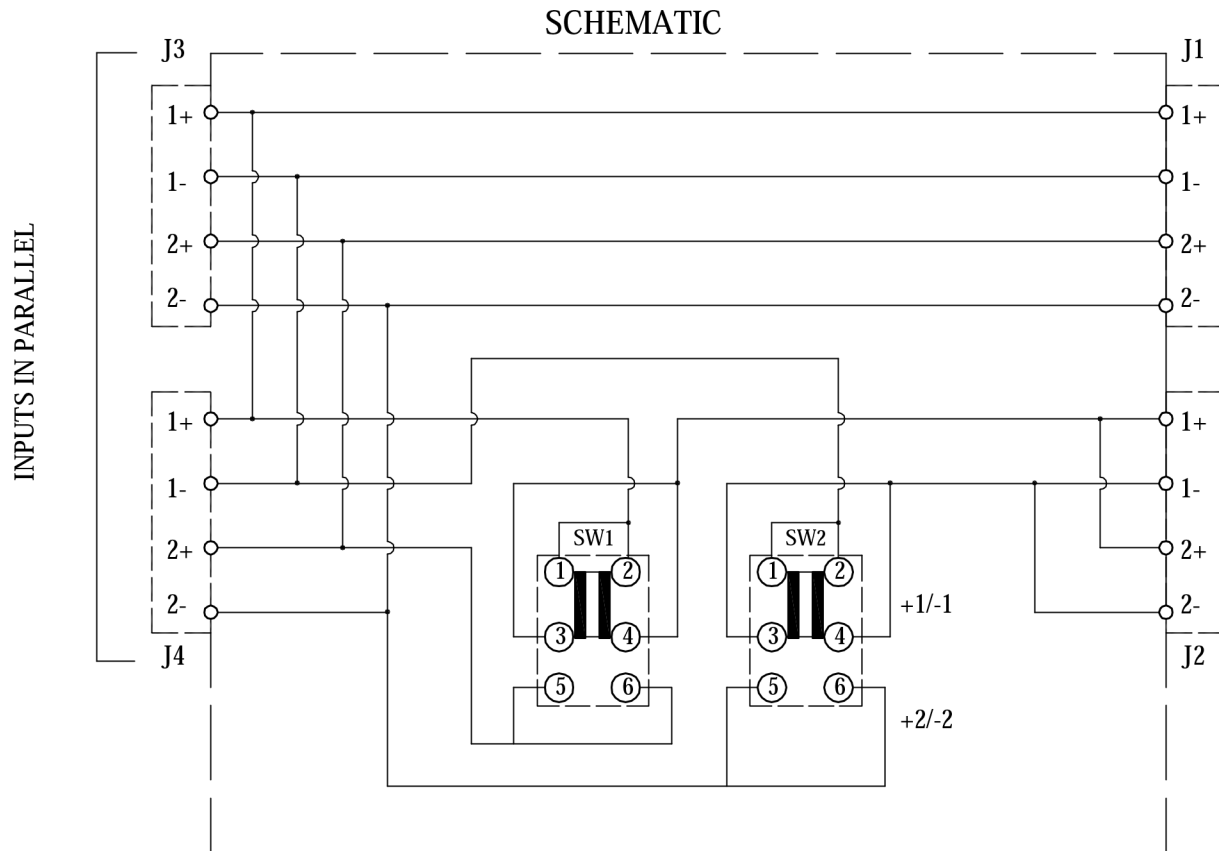
COMPONENT PARTS LIST:

Item	Part No.	Qty	Description
1	NOT FOR SALE	2	TOP BOTTOM PANEL, SRX828S
2	NOT FOR SALE	1	DIVIDER PANEL, SRX828S
3	NOT FOR SALE	1	REAR PANEL, SRX828S
4	NOT FOR SALE	4	STIFFENER ANGLE, SRX828S
5	NOT FOR SALE	1	Right Side Panel SRX828S
6	NOT FOR SALE	4	STIFFENER TOP BOTTOM, SRX828S
7	NOT FOR SALE	2	PORT WALL, SRX828S
8	NOT FOR SALE	2	GRILLE SUPPORT, SRX828S
9	NOT FOR SALE	2	BAFFLE, SRX828S
10	NOT FOR SALE	1	Left Side Panel
11	835-44051-00	16	NUT, 5/16-18,T-NUT,NO FIN,MCS,RIGHT
14	61860	32	T-NUT 8-32X11/32
17	61861	16	T-NUT,10-32
18	353601-001	1	TERMINAL CUP
19	5023725	4	HANDLE CUP, STX800
22	5048154	4	HANDLE CUP ASSY SRX800
23	5048939	4	GASKET HANDLE
24	446376-001	32	SCREW, #8-32, HANDLE
25	353445-001	4	FOOT, SRX
26	884-41110-12	4	SCR, 10 X 3/4,PAN,PH,PB,BLK ZINC,LCS

Item	Part No.	Qty	Description
27	5048239X	2	M/I, 2279H
28	60578	8	GASKET (4PCS = 1 GASKET)
29	804-01110-20	16	SCR,10-32X1-1/4,FIL,PH,BK
30	5050159	1	GRILLE ASSY SRX828S
31	882-41110-12	12	SCR,6X3/4",PAN,PH,PB,BLK
32	882-51110-12	10	SCR, 6 X 3/4,OV,PH,PTCL,BLK ZC,LCS
33	5056661	1	LOGO SRX800
34	883-41110-12	6	SCR,8 X 3/4,PAN,PH,PB,BLK ZINC,LCS
35	5018503	1	WIRE HARNESS STX828S
36	5057502	1	OVERLAY, INPUT ASSY, SRX828S
37	NOT FOR SALE	0	TOPCOAT, BLACK CHEMTHANE 1400
38	NOT FOR SALE	0	ADHESIVE,URETHANE
39	NOT FOR SALE	0	ADH,JOWAT,110/60,BRN
40	NOT FOR SALE	18	FBRGL,1"X72",600SF/ROLL
41	NOT FOR SALE	62	STAPLE 1/2 X 9/16
42	NOT FOR SALE	62	CHIP, FBRBRD .015-.03THICK
48	NOT FOR SALE	1	BASECOAT, BLACK CHEMTHANE 7030
49	NOT FOR SALE	2	GLUE BLOCK,3/4SQX2"L
50	807-31010-12	16	SCR,5/16-18 X 3/4,TRS,PH,UNC,BLK ZINC,L
65	NOT FOR SALE	1	VIBRATION DAMPNER SRX828

JBL SRX828S

TERMINAL CUP SCHEMATIC:



Parts List (not for sale):

SW-000116-00 SW1, SW2
NL4MP J3, J4

JBL SRX828S

WIRE HARNESS:

