

99er Series

The quick & affordable solution for any sound system

- Planning simplified
- Budgets met
- Subsequent changes made easy
- Architects' and engineers' specifications available via smartphone
- Time saved

Selecting microphones for sound installations is a complex task. Most systems require many different microphones that need to be matched carefully. Discussing the matter, AKG development engineers came up with a fascinating thought. Wouldn't it make sense to have a line where each product had the same price? The result was the AKG 99er Series, a combination of time-tested high-end studio and Installed Sound microphones, all meeting the highest standards.

AKG products have enjoyed an outstanding reputation for quality worldwide and are used every day in studios, on stages, or at conference centers. The AKG 99er Series makes planning for installed sound projects easier than ever. All 99ers having the same price, all you have to do is balance the number of microphones needed against the available budget. You can make any changes later on without changing the budget as long as you replace a 99er with another 99er model.

Planning and discussions with clients now take much less time. With the 99ers, your job has never been easier – have fun!

The integrated capsule

A special feature of the 99er Series is that the gooseneck and microphone capsule form an inseparable unit. The rugged metal front grill is joined permanently to the gooseneck, the contacts inside are soldered. This protects the delicate condenser capsule against mechanical stress and electromagnetic interference, and ensures maximum reliability and excellent audio.



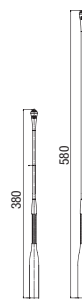
The basis

The gooseneck foot features an XLR connector with gold-plated contacts, making connecting and mounting incredibly easy. The metal case also houses the electronic components of the microphone. The extra-strong flexible section lets you position the microphone precisely as required.



Conference Houses of worship Lectern

- Cardioid polar pattern
- 30 or 50 cm (12 or 20 in.) long
- 125° pickup angle
- Especially suited for inexperienced talkers
- Connects easily via gold-plated XLR connector



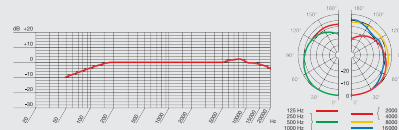
CGN 99 C/S CGN 99 C/L

The **cardioid polar pattern** is the most popular because its uses are almost limitless. The **125° pickup angle** is especially suited for inexperienced or very "vivacious" talkers who often fail to talk directly into the microphone.

The **choice of two different lengths** and the flexible joint ensure optimum alignment of the gooseneck to any talker position. Numerous options for installation are available, such as mounting on a stand or tabletop, while optional accessories include a lockable mounting fixture.

Item numbers:

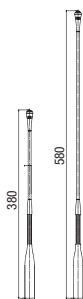
CGN 99 C/S 2965H00110
CGN 99 C/L 2965H00130



• Polar pattern:	cardioid
• Frequency range:	70 to 18,000 Hz
• Max. SPL for 1% THD:	125 dB
• Equivalent noise level (IEC 60268-4):	21 dB-A
• Signal/noise ratio (A-weighted):	73 dB
• Bass cut filter:	250 Hz, -10 dB at 50 Hz
• Impedance:	≤600 ohms
• Recommended load impedance:	≥2,000 ohms
• Powering (IEC 61938):	9 to 52 V phantom power
• Current consumption:	≤3 mA
• Connector:	3-pin male XLR
• Finish:	matte black
• Dimensions:	13.5 Ø x 380/580 mm (0.5 Ø x 15/23 in.)
• Net/shipping weight:	CGN 99 C/S: 160/480 g (5.7/17 oz.), CGN 99 C/L: 170/500 g (6/17.7 oz.)
• Standard accessories:	windscreen
• Optional accessories:	B 18, PS 3 F-Lock, H 500, H 600, SA 60, ST 1, ST 45

Conference Houses of worship Lectern

- Hypercardioid polar pattern
- 30 or 50 cm (12 or 20 in.) long
- 95° pickup angle
- For acoustically difficult environments
- Connects easily via gold-plated XLR connector



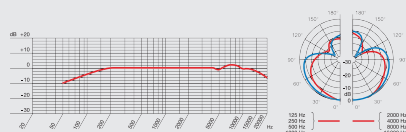
CGN 99 H/S CGN 99 H/L

The **hypercardioid polar pattern** with its **narrow 95° pickup angle** is suited best for situations where noise typically occurs from all sides (particularly in houses of worship), where people talk into the microphone from a greater distance, or where several talkers are grouped side by side.

Two different lengths are available. The flexible joint ensures optimum alignment of the gooseneck to any talker position. Several options are available for **installation**, i.e., stand, tabletop installation, and lockable.

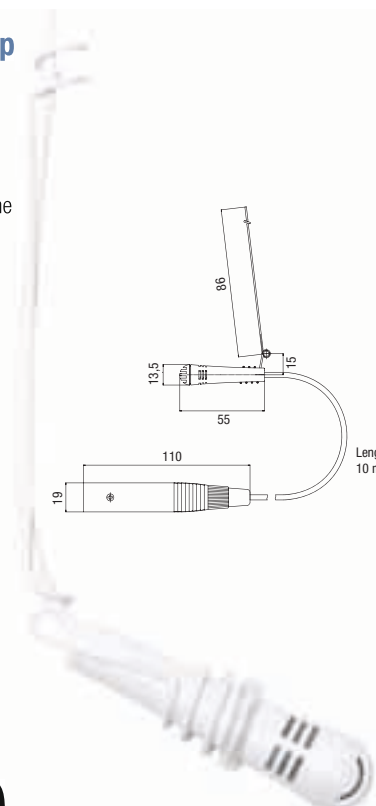
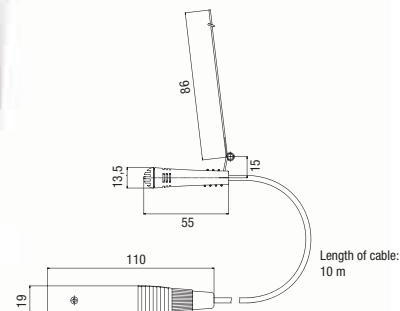
Item numbers:

- CGN 99 H/S 2965H00120
- CGN 99 H/L 2965H00140



Conference Houses of worship Lectern Surveillance

- Condenser Hanging Microphone
- Cardioid polar pattern
- 10 m (33 ft.) cable
- Especially suited for choir recordings
- Integrated spring steel clamp for optimum alignment
- 125° pickup angle

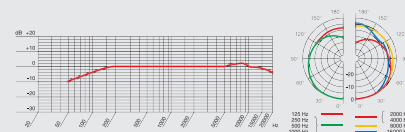


CHM 99

The new **CHM 99 Condenser Hanging Microphone** provides both ease of use and a high level of functionality. There is hardly any more affordable and simpler solution for **recording choirs at worship centers**. Suspended from the ceiling or a beam, the hanging microphone is aligned and then fixed in the correct position. Now use the **spring steel clamp** to adjust the correct angle, and off you go! The CHM 99 is available in white or black.

Item number:

- CHM 99 black 2965H00150
- CHM 99 white 2965H00160



• Polar pattern:	hypercardioid
• Frequency range:	50 to 19,000 Hz
• Sensitivity:	12 mV/Pa (-38 dBV)
• Max. SPL for 1% THD:	125 dB
• Equivalent noise level (IEC 60268-4):	21 dB-A
• Signal/noise ratio (A-weighted):	73 dB
• Impedance:	<600 ohms
• Recommended load impedance:	≥2,000 ohms
• Powering (IEC 61938):	9 to 52 V phantom power
• Current consumption:	≤3 mA
• Connector:	3-pin male XLR
• Finish:	black
• Dimensions:	13.5 Ø x 380/580 mm (0.5 Ø x 15/23 in.)
• Net/shipping weight:	CGN 99 HS: 160/480 g (5.7/17 oz.), CGN 99 HL: 170/500 g (6/17.7 oz.)
• Standard accessories:	windscreen
• Optional accessories:	B 18, PS 3 F-Lock, H 500, H 600, SA 60, ST 1, ST 45

• Polar pattern:	cardioid
• Frequency range:	70 to 18,000 Hz
• Sensitivity:	18 mV/Pa (-35 dBV)
• Max. SPL for 1% THD:	125 dB
• Equivalent noise level (IEC 60268-4):	21 dB-A
• Signal/noise ratio (A-weighted):	73 dB
• Impedance:	≤600 ohms
• Recommended load impedance:	≥2,000 ohms
• Powering (IEC 61938):	9 to 52 V phantom power
• Current consumption:	≤3 mA
• Connector:	3-pin male XLR
• Cable length:	10 m (33 ft.)

• Finish:	matte black or white
• Dimensions:	13.5 Ø x 55 mm (0.5 Ø x 2.1 in.)
• Net/shipping weight:	20/480 g (0.7/17 oz.)
• Standard accessories:	windscreen
• Optional accessories:	B 18

Houses of worship
Ticket window
Reception desk

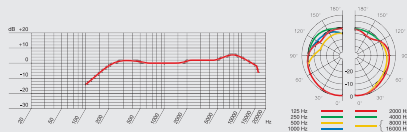
- PA Microphone with rugged, all-metal body
- Frequency response optimized for intelligibility
- Long useful life even in tough day-to-day usage
- Frequency response tailored to speech use



DGN 99
DGN 99 E

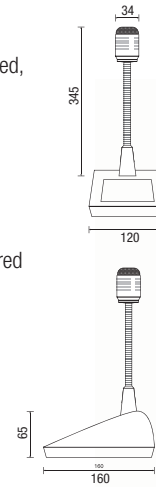
Rugged, affordable dynamic cardioid gooseneck microphone for **general public address** and **communications use**. The **DGN 99** provides a frequency response tailored to speech use for **optimum intelligibility** as well as good offaxis rejection for high gain before feedback and suppression of unwanted ambient noise. The **all-metal body** ensures a **long useful life** for the microphone even in tough day-to-day use.

Item numbers:
DGN 99 6000H51010
DGN 99 E 6000H51020



Paging systems
Ticket window
Reception desk
Restaurant

- PA Microphone with rugged, all-metal body
- Frequency response optimized for intelligibility
- Long useful life even in tough day-to-day usage
- Frequency response tailored to speech use

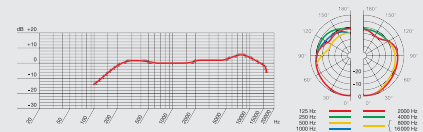


DST 99 S

Rugged, affordable dynamic cardioid gooseneck microphone for **general public address** and **communications use**. The **DST 99 S** provides a frequency response tailored to speech use for **optimum intelligibility** as well as good offaxis rejection for high gain before feedback and suppression of unwanted ambient noise. The **all-metal body** ensures a **long useful life** for the microphone even in tough day-to-day use.

The **DST 99 S** is mounted on a table stand with an **on/off switch** and coiled cable with 3-pin XLR connector.

Item number:
DST 99 S 6000H51030



• Polar pattern:	cardioid
• Frequency range:	150 to 15,000 Hz
• Sensitivity:	2.2 mV/Pa (-54 dBV)
• Max. SPL for 1% THD:	133 dB
• Equivalent noise level (IEC 60268-4):	21 dB-A
• Signal/noise ratio (A-weighted):	73 dB
• Impedance:	<530 ohms
• Recommended load impedance:	≥2,000 ohms
• Connector:	unterminated cable ends DGN 99 E: 3-pin male XLR
• Cable:	DGN 99: 2 m (6 ft., 4 in.)
• Finish:	matte black
• Dimensions:	microphone: 34 dia. x 345 mm (1.3 dia. x 13.5 in.) gooseneck: dia. 13 x 300 mm (0.51 x 11.8 in.)
• Net/shipping weight:	DGN 99: 275/422 g (9.6/14.8 oz.) DGN 99 E: 285/334 g (10.0/11.7 oz.)
• Optional accessories:	DGN 99 E: PS 3 F-Lock

• Polar pattern:	cardioid
• Frequency range:	150 to 15,000 Hz
• Sensitivity:	2.2 mV/Pa (-54 dBV)
• Max. SPL for 1% THD:	133 dB
• Equivalent noise level (IEC 60268-4):	21 dB-A
• Signal/noise ratio (A-weighted):	73 dB
• Impedance:	<530 ohms
• Recommended load impedance:	≥2,000 ohms
• Connector:	3-pin male XLR
• Cable:	approx. 50 to 100 cm (20 to 40 in.), coiled
• Finish:	matte black
• Dimensions:	microphone: 34 dia. x 345 mm (1.3 dia. x 13.5 in.) gooseneck: dia. 13 x 300 mm (0.51 x 11.8 in.); table stand (l x w x h): 160 x 120 x 65 mm (6.3 x 4.7 x 2.5 in.)
• Net/shipping weight:	805/1,125 g (1.8/2.5 lbs.)

**Houses of worship
Lectern
Tour guide
Theater**

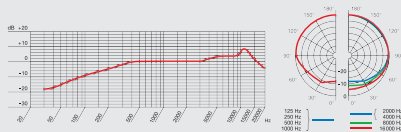
- Inconspicuous clip-on microphone
- Natural, airy sound
- High ambient noise rejection



CK 99 L

Low-profile, cost efficient clip-on microphone for applications including houses of worship, lecturers, etc. Connects to AKG bodypack transmitters.

The CK 99 L provides a natural sound, with a slight rise above 10 kHz for added clarity. Its cardioid polar pattern and bass rolloff combine to suppress unwanted ambient noise.

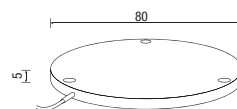


Item number:
CK 99 L 6000H51040

• Polar pattern:	cardioid
• Frequency range:	15 to 18,000 Hz
• Sensitivity:	8.8 mV/Pa (-41 dBV)
• Max. SPL for 1% THD:	118 dB
• Equivalent noise level (IEC 60268-4):	34 dB-A
• Signal/noise ratio (A-weighted):	60 dB
• Impedance:	200 ohms
• Recommended load impedance:	2,000 ohms
• Powering (IEC 61938):	1.5 to 10 VDC or 9 to 52 V phantom power using MPA V L
• Current consumption:	≤2 mA
• Connector:	3-pin mini XLR
• Cable:	1.6 m (5 ft. 4 in.)
• Finish:	matte black
• Dimensions:	dia.: 8 x 23 mm (0.3 x 0.9 in.)
• Net/shipping weight:	2.5/115 g (0.08/4 oz.)
• Standard accessories:	Clip, W 55

**Recording
Houses of worship
Conference
Theater**

- Extremely small and inconspicuous, lightweight yet rugged
- Delivers superior sound combined with outstanding ease of use
- High sensitivity and low self-noise ensures generous headroom

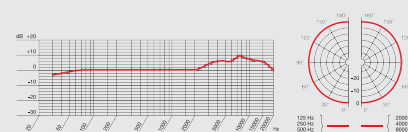


CBL 99

The CBL 99 is a high-quality boundary microphone designed to deliver superior results for a multitude of recording applications. The boundary layer technique is well-known for recording and offers non-directional pickup that is frequency-independent.

Succeeding the proven CBL 99, the CBL 99 is small, lightweight and easy to place. No stand is needed. Since the transducer sits in a metal plate only 5 mm (0.2 in) thick, the plate doesn't interfere with or color the sound. Frequency response is very uniform within its hemisphere and it captures the "room sound" of an instrument very accurately.

Easy to use and sonically versatile, the CBL 99 is a great addition to the "mic locker" of any studio.



Item number:
CBL 99 2762X00110

• Polar pattern:	omnidirectional (hemispherical)
• Frequency range:	20 to 20,000 Hz
• Sensitivity:	20 mV/Pa (-34 dBV)
• Max. SPL for 1% THD:	130 dB
• Equivalent noise level (IEC 60268-4):	16 dB-A
• Signal/noise ratio (A-weighted):	78 dB
• Bass cut filter:	switchable flat or 150 Hz, 12 dB/octave
• Impedance:	≤600 ohms
• Recommended load impedance:	≥2,000 ohms
• Powering (IEC 61938):	9 to 52 V phantom power
• Current consumption:	≤2 mA
• Connector:	3-pin XLR
• Cable:	3 m (10 ft.) conn. cable with XLR connector, fixed
• Finish:	matte black
• Dimensions:	80 dia. x 5 (10) mm (3.1 x 0.2/0.4 in.)
• Net/shipping weight:	56 g (2 oz.) (without cable)
• Standard accessories:	adhesive compound
• Optional accessories:	B 18